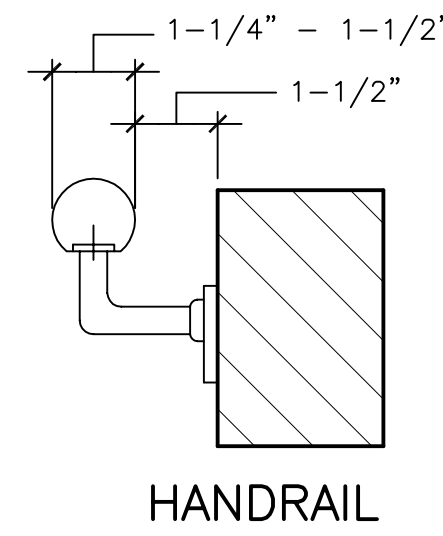
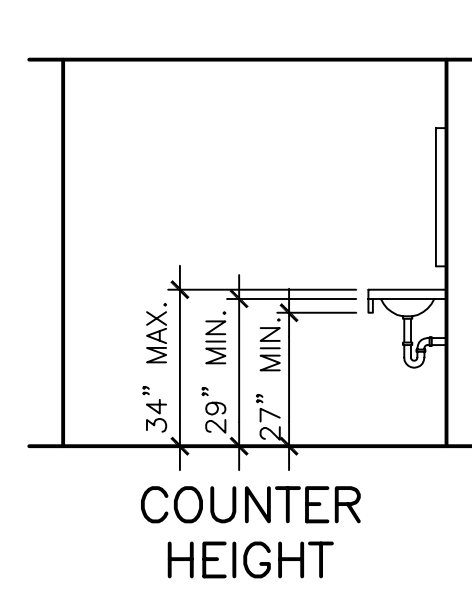


NOTES:

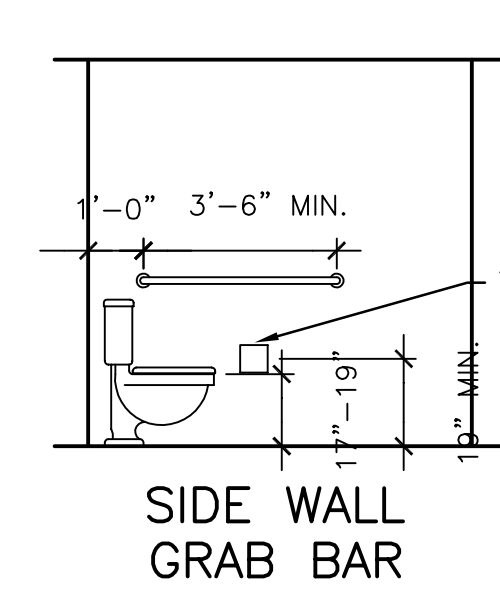
1. NOT EVERY CONDITION SHOWN MAY OCCUR IN THIS PROJECT. USE WHERE APPLICABLE.



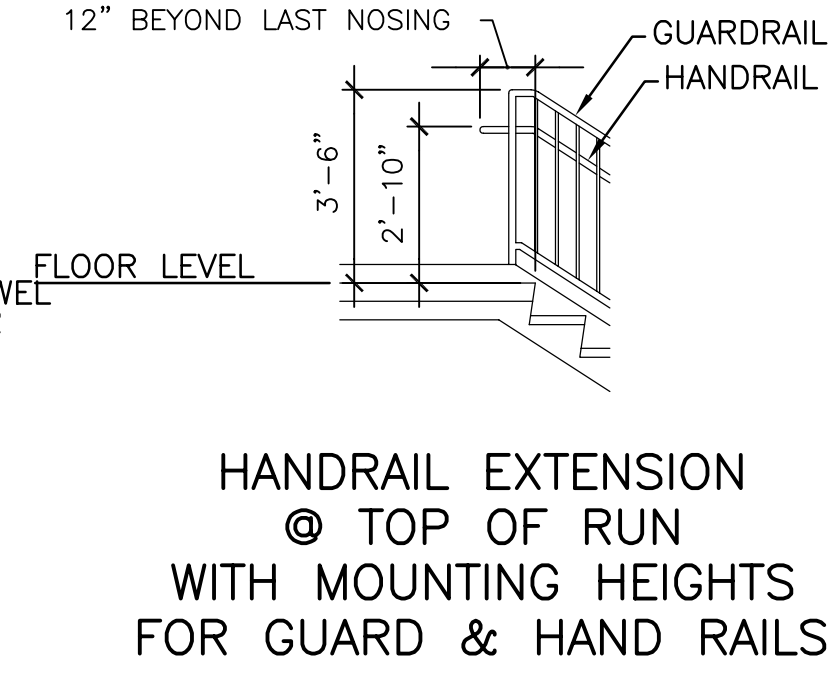
HANDRAIL



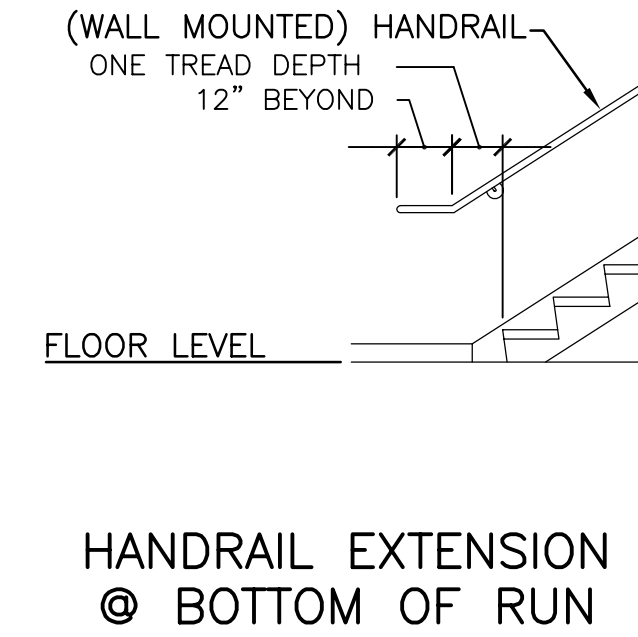
COUNTER HEIGHT



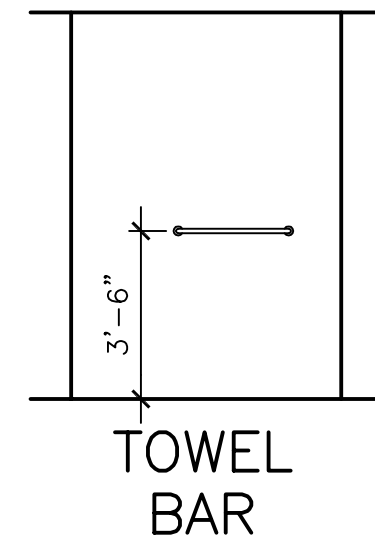
SIDE WALL GRAB BAR



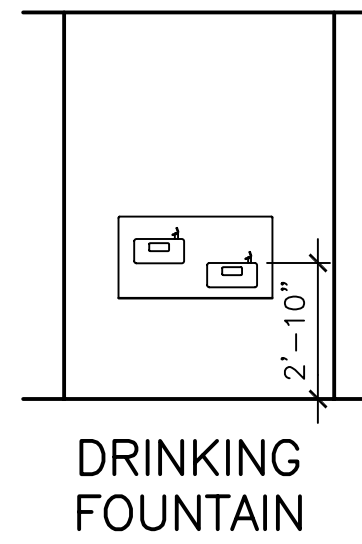
HANDRAIL EXTENSION
© TOP OF RUN
WITH MOUNTING HEIGHTS
FOR GUARD & HAND RAILS



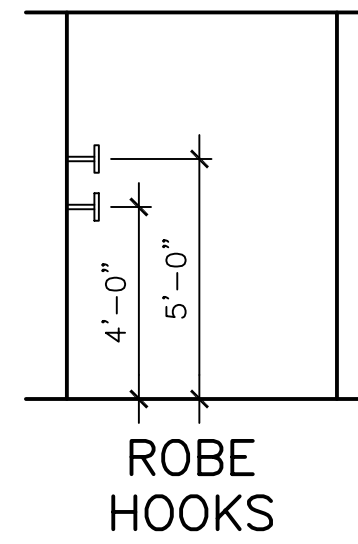
HANDRAIL EXTENSION
© BOTTOM OF RUN



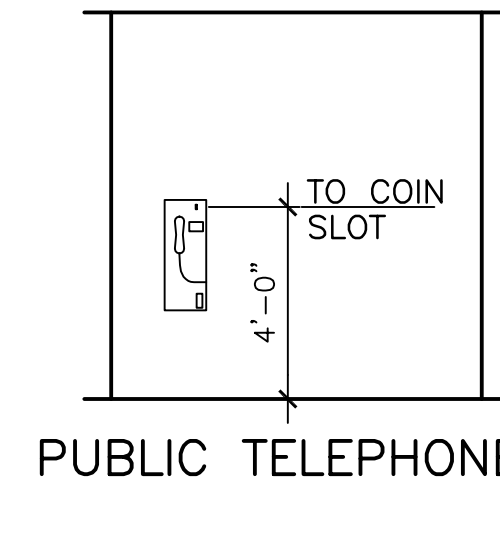
TOWEL BAR



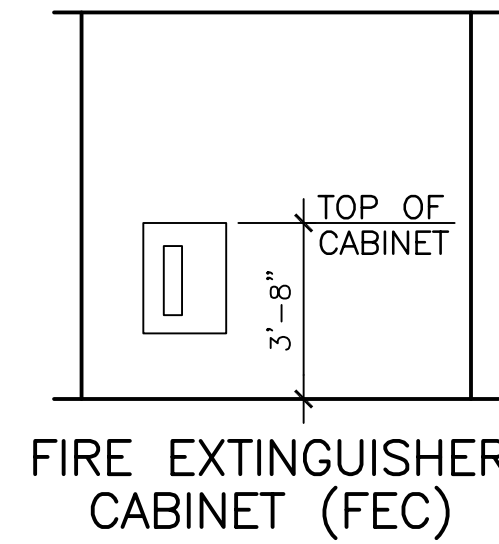
DRINKING FOUNTAIN



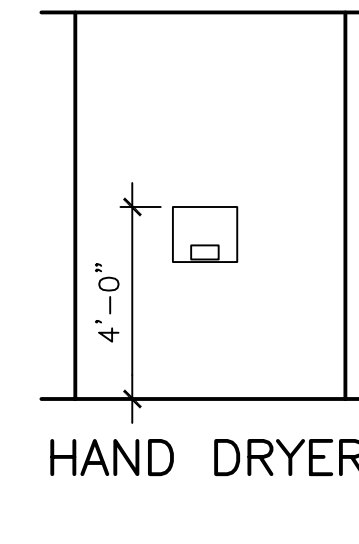
ROBE HOOKS



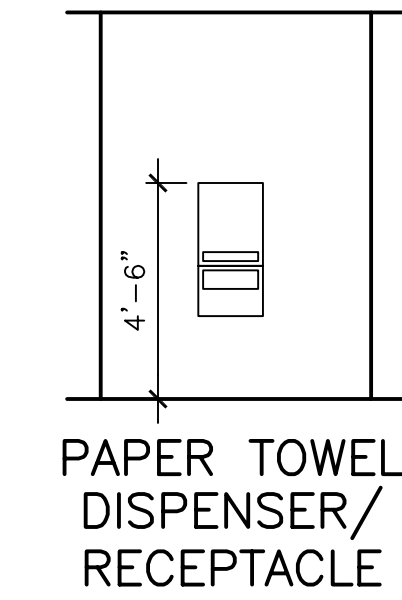
PUBLIC TELEPHONE



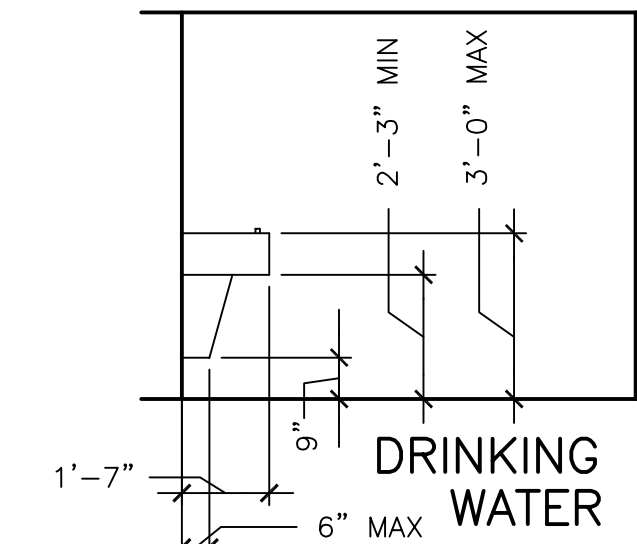
FIRE EXTINGUISHER CABINET (FEC)



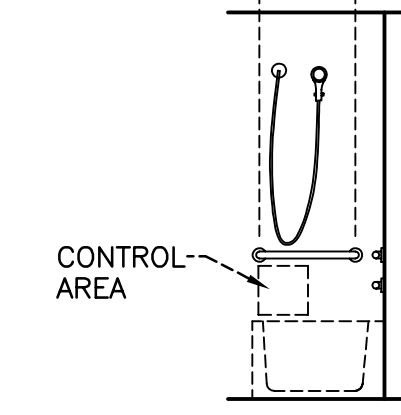
HAND DRYER



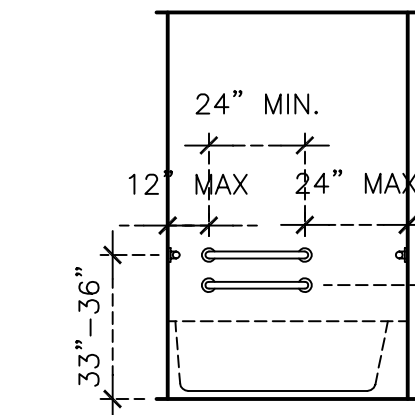
PAPER TOWEL DISPENSER/RECEPTACLE



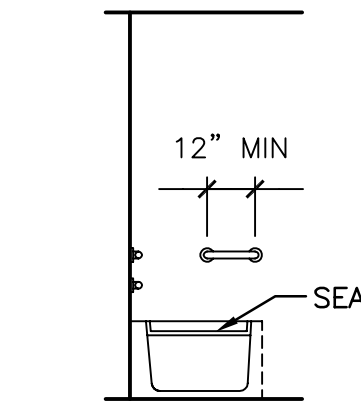
DRINKING FOUNTAIN/WATER COOLER



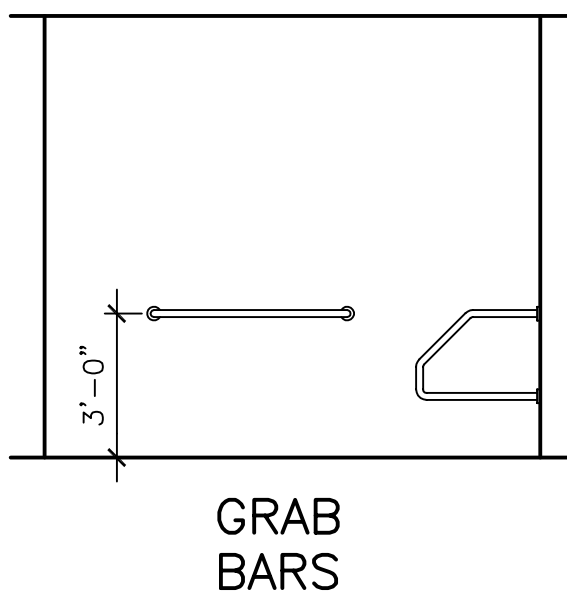
CONTROL AREA



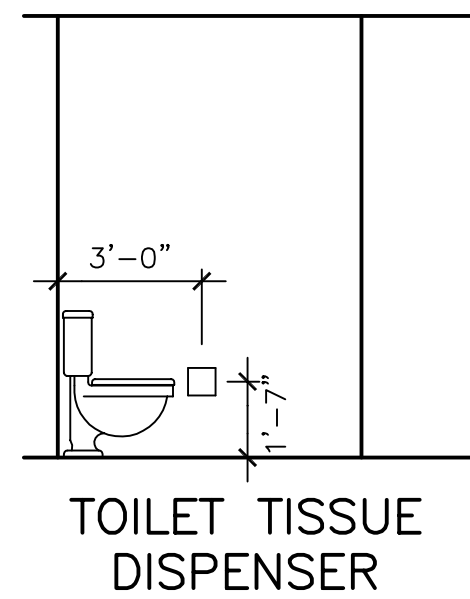
TUB



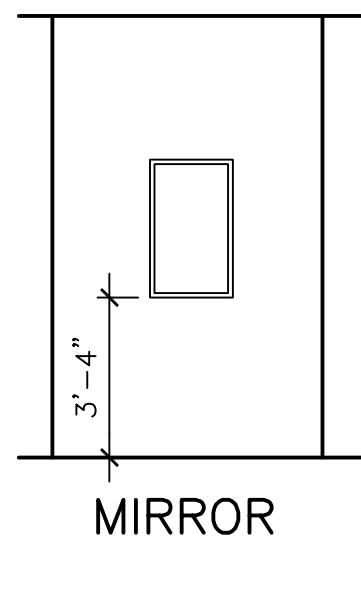
SEAT



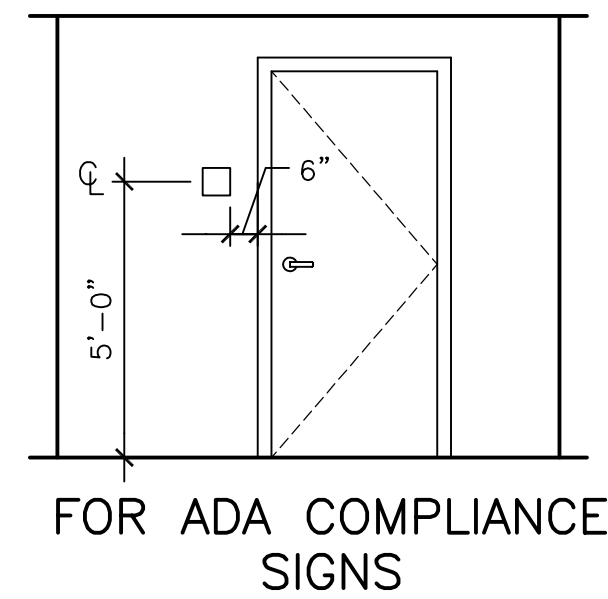
GRAB BARS



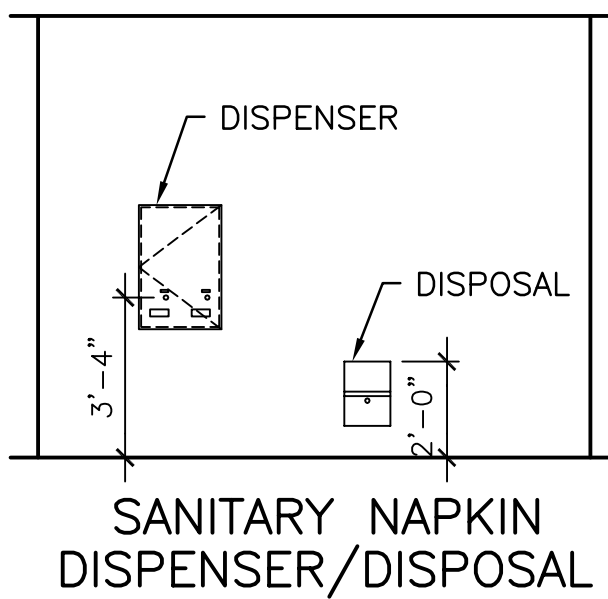
TOILET TISSUE DISPENSER



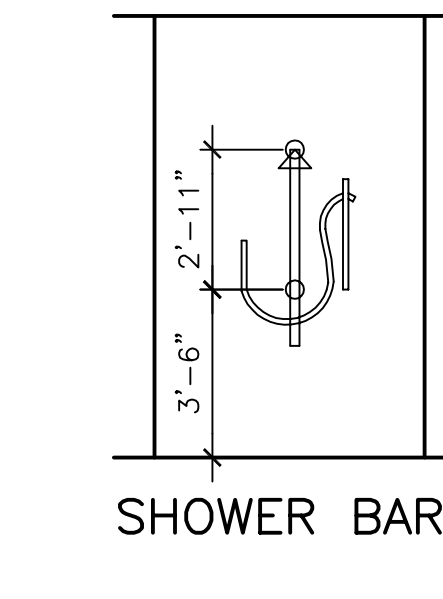
MIRROR



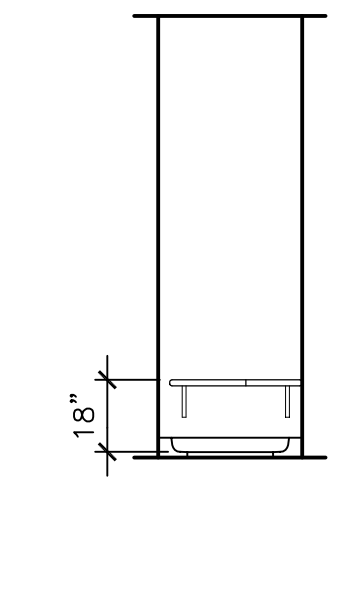
FOR ADA COMPLIANCE SIGNS



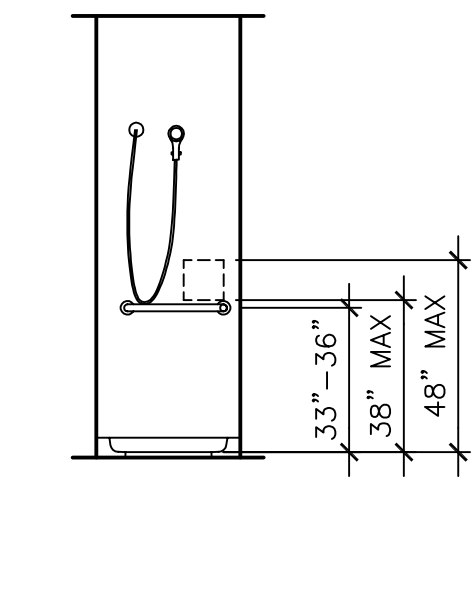
SANITARY NAPKIN DISPENSER/DISPOSAL



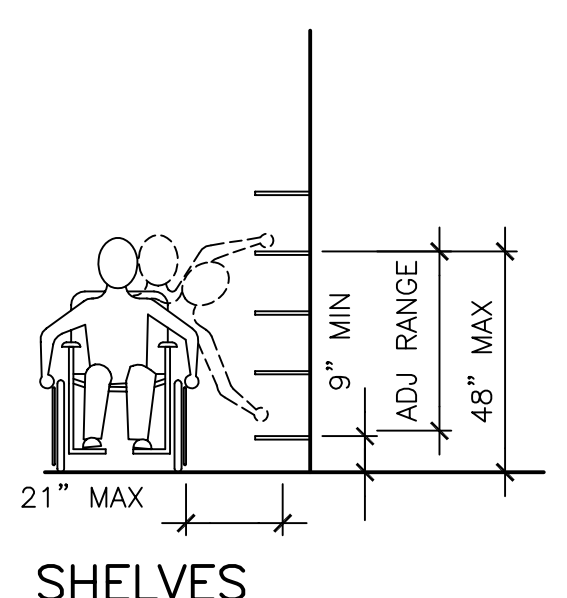
SHOWER BAR



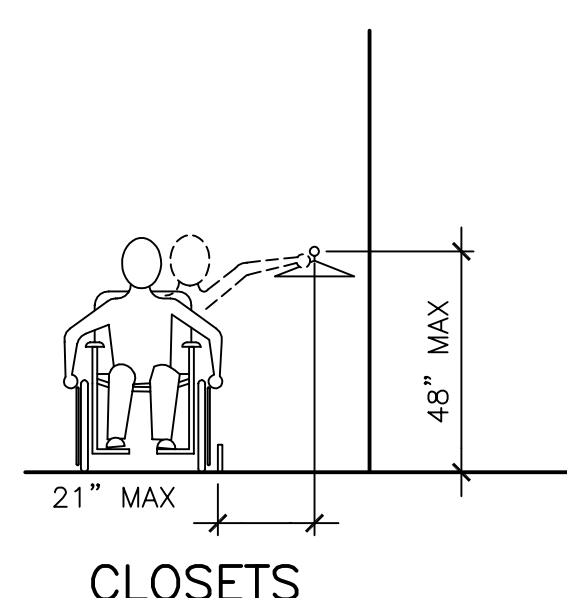
SHOWER



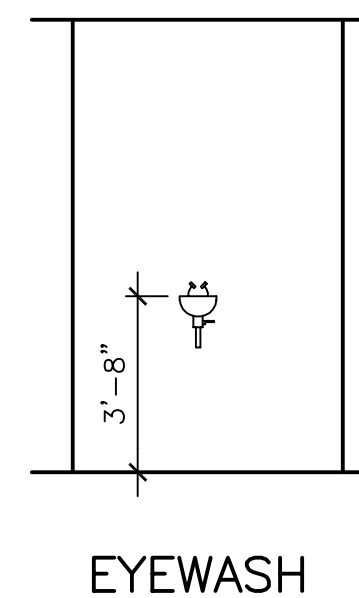
TOWEL & SOAP DISPENSERS



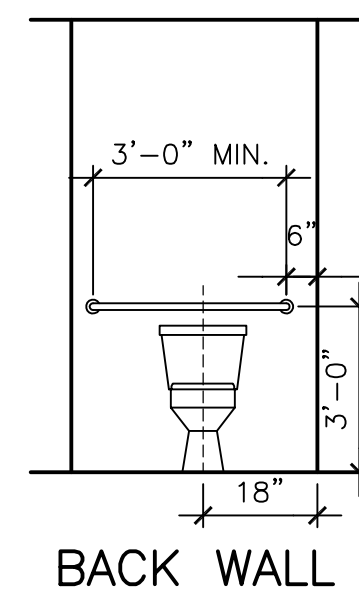
SHELVES



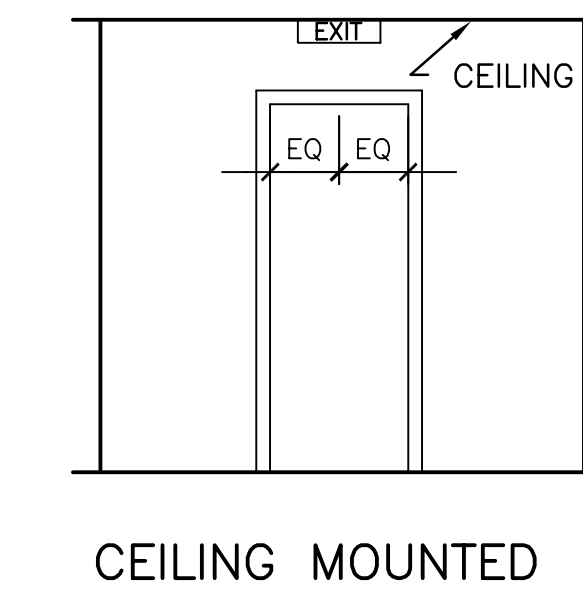
CLOSETS



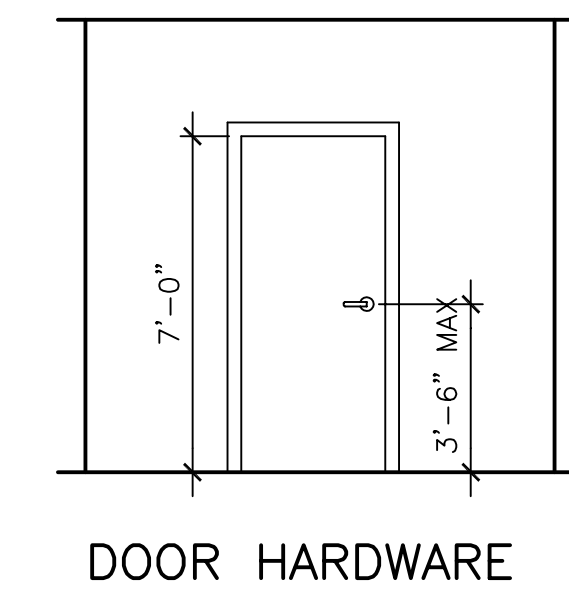
EYEWASH



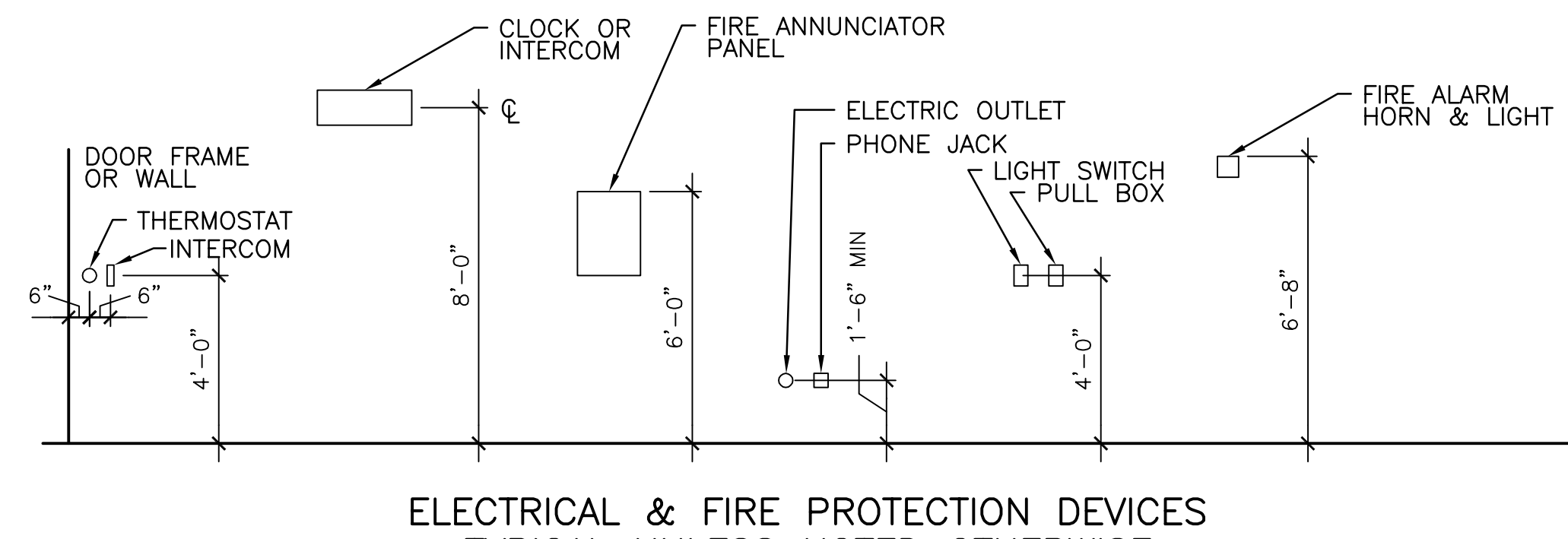
BACK WALL GRAB BAR



CEILING MOUNTED



DOOR HARDWARE



ELECTRICAL & FIRE PROTECTION DEVICES
TYPICAL UNLESS NOTED OTHERWISE

J1 TYPICAL MOUNTING HEIGHTS

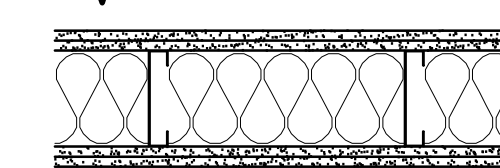
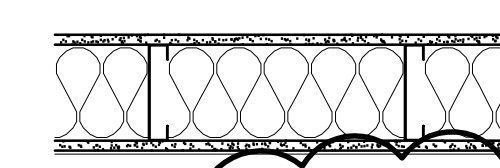
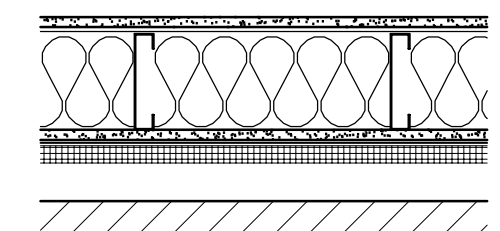
1/4" = 1'-0"

WALL LEGEND

1 MASONRY INFILL WALL:
4" NOMINAL SIZE MASONRY VENEER(MATCH EXISTING), AIR SPACE(ADJUST TO SO ASSEMBLY MATCHES EXISTING WALL THICKNESS), 1" RIGID INSULATION, 5/8" GYPSUM SHEATHING, 6" STRUCTURAL GAGE METAL STUDS WITH R-19 BATTS AND VAPOR BARRIER, 5/8" GYPSUM BOARD. REFER TO FLOOR PLANS FOR MASONRY INFILL LOCATIONS.

2 EXTERIOR WALL-ONE HOUR RATED UL DESIGN #U423:
ALUMINUM SIDING, BUILDING PAPER, 5/8" EXTERIOR TYPE X DENSGLOSS SHEATHING, 6" STRUCTURAL GAGE METAL STUDS WITH UL LABELED R-19 BATTS AND VAPOR BARRIER, 5/8" TYPE 'X' GYPSUM BOARD.

2a EXTERIOR WALL-TWO HOUR RATED UL DESIGN #U423:
ALUMINUM SIDING, BUILDING PAPER, 2 LAYERS 5/8" EXTERIOR TYPE X DENSGLOSS SHEATHING, 6" STRUCTURAL GAGE METAL STUDS WITH UL LABELED R-19 BATTS AND VAPOR BARRIER, 2 LAYERS 5/8" TYPE 'X' GYPSUM BOARD.

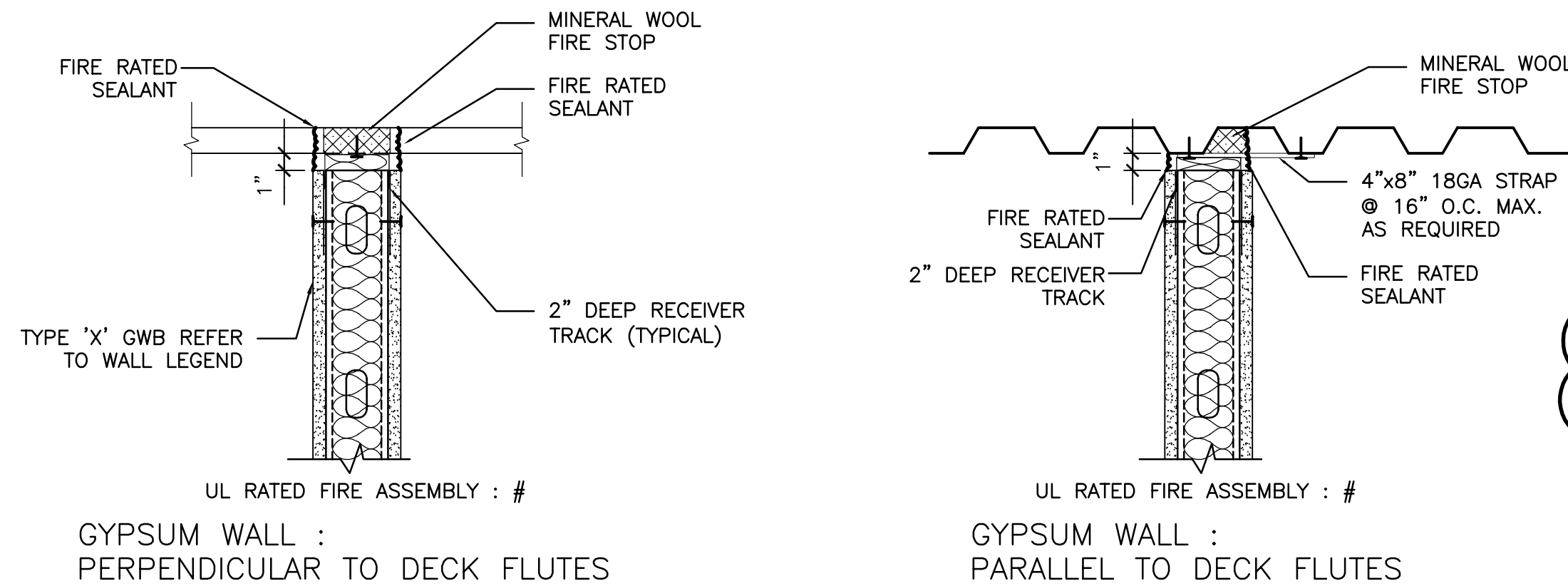
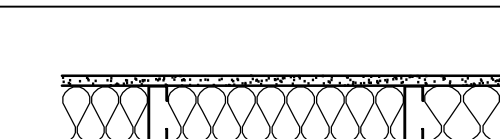
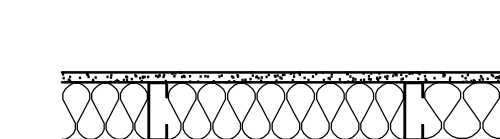
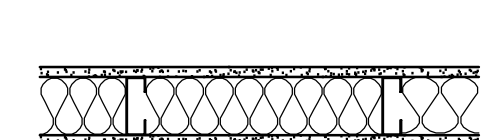


3 PARTITION:
5/8" GYPSUM BOARD, 3-5/8" METAL STUDS EXTENDED TO 6" ABOVE HIGHEST ADJACENT CEILING, ACOUSTIC BATT INSULATION BETWEEN STUDS, 5/8" GYPSUM BOARD. PROVIDE ACOUSTIC CAULK AT ALL PERIMETERS BELOW CEILING. CONSTRUCT WALL TO COMPLY WITH ASSEMBLY REQUIREMENTS OF UL DESIGN U465. REFER TO FINISH SCHEDULE FOR APPLIED FINISHES SUCH AS TILE. PROVIDE SPECIFIED TILE SUBSTRATE IN PLACE OF GYPSUM BOARD WHERE TILE INDICATED, TYP.

4 PARTITION/ 1 HOUR FIRE RATED WALL:
5/8" GYPSUM BOARD, 3-5/8" METAL STUDS EXTENDED TO BOTTOM OF STRUCTURE ABOVE, ACOUSTIC BATT INSULATION BETWEEN STUDS, 5/8" GYPSUM BOARD. EXTEND WALL ASSEMBLY FULL HEIGHT TO STRUCTURE. PROVIDE FIRE CAULK AT ALL PERIMETERS. CONSTRUCT WALL TO COMPLY WITH REQUIREMENTS OF UL DESIGN U465 OR U442 AS APPLICABLE. FIRE STOP/CAULK ALL OPENINGS, EDGES AND PENETRATIONS. REFER TO FINISH SCHEDULE FOR APPLIED FINISHES SUCH AS TILE. PROVIDE SPECIFIED TILE SUBSTRATE IN PLACE OF GYPSUM BOARD WHERE TILE INDICATED, TYP.

5 PARTITION/ 1 HOUR FIRE RATED WALL:
MODIFY OR REPLACE EXISTING WALL TO MATCH WALL TYPE 4.

3 PARTIAL HEIGHT PARTITION:
SAME AS WALL TYPE 3, EXCEPT 42" AFF.



UL RATED FIRE ASSEMBLY : #
GYPSUM WALL :
PERPENDICULAR TO DECK FLUTES

UL RATED FIRE ASSEMBLY : #
GYPSUM WALL :
PARALLEL TO DECK FLUTES

A1 TOP OF WALL DETAILS

1-1/2" = 1'-0"



ARCHITECTURE ENGINEERING PLANNING
SMART
144 Fore Street/P.O. Box 618
Portland, Maine 04104
tel. (207) 772-3846
fax. (207) 772-1070

THE MILESTONE FOUNDATION
INDIA STREET, PORTLAND

SM2
8-11-03

PROJECT TITLE:
CURRENT ISSUE STATUS:

REV	DESCRIPTION	DATE
0	ISSUED FOR CONSTRUCTION	4-17-03
1	SM2	8-11-03

GRAPHIC SCALE:
0" 1"
SCALE:
PROJECT MANAGER: NJH
JC/DRAWN BY: RJL
A/E OF RECORD: JLH
SMRT CAD FILE: G1002-03017
PROJECT NO: 03017
DATE: 4-17-03

SHEET TITLE:
GENERAL INFORMATION

SHEET No.
G1002