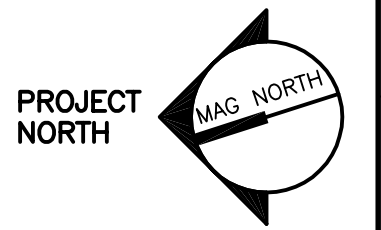




ARCHITECTURE ENGINEERING PLANNING  
 SMART  
 144 Fore Street, P.O. Box 618  
 Portland, Maine 04104  
 tel. (207) 772-3846  
 fax. (207) 772-1070

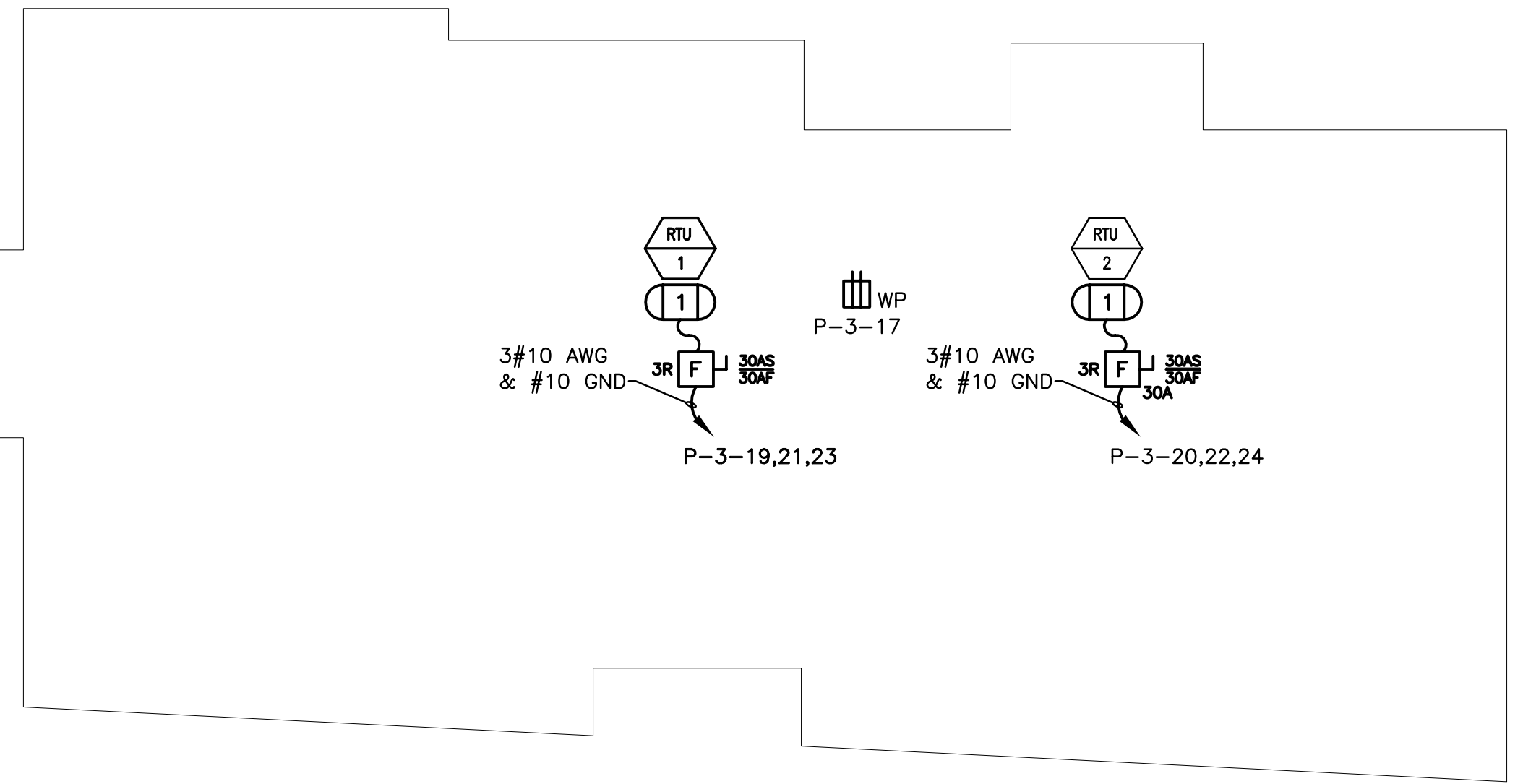
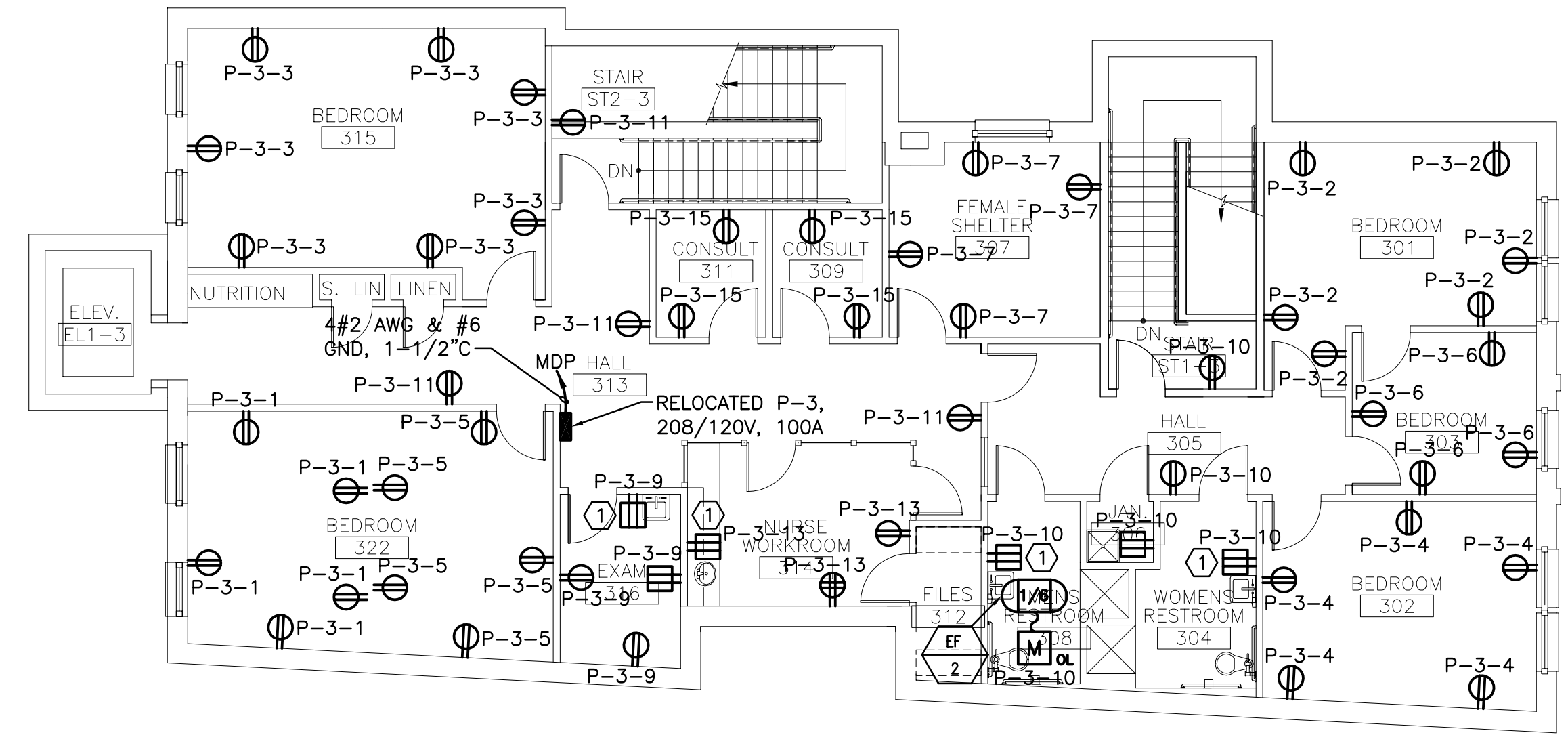


PROJECT TITLE: THE MILESTONE FOUNDATION  
 INDIA STREET, PORTLAND  
 CURRENT ISSUE STATUS: ISSUED FOR CONSTRUCTION 4-11-03

REV	DESCRIPTION	DATE
0	ISSUED FOR CONSTRUCTION	4-11-03

GRAPHIC SCALE:  
 0" 1"  
 SCALE: 1/8"=1'-0"  
 PROJECT MANAGER: JLH  
 JC/DRAWN BY: RJL/LAM  
 A/E OF RECORD: DJT  
 SMRT CAD FILE: EP101-03017  
 PROJECT NO: 03017  
 DATE: 4-11-03

SHEET TITLE:  
 POWER FLOOR PLANS  
 SHEET No.  
 EP101

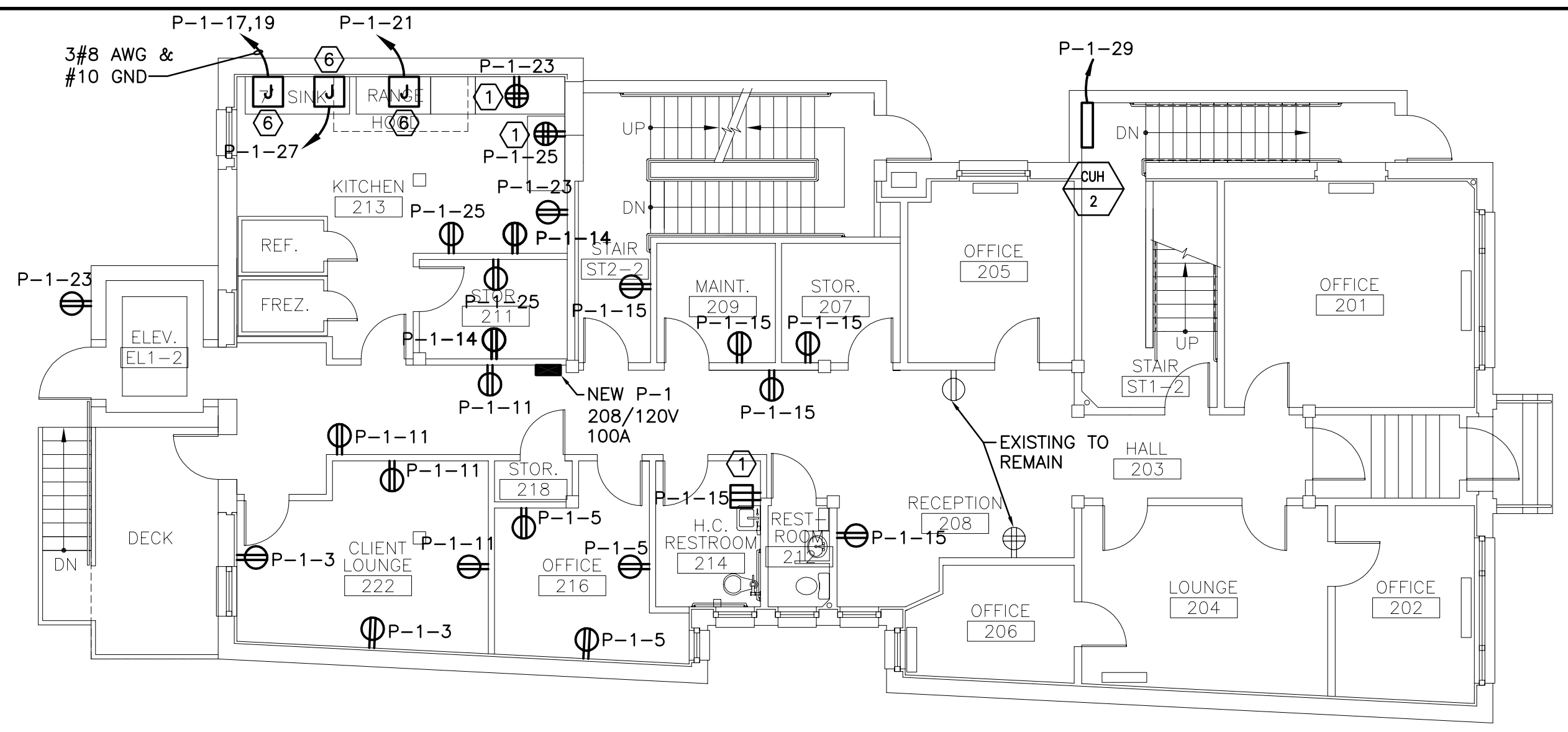


K1 THIRD FLOOR PLAN

K9 ROOF PLAN

1/8"=1'-0"

1/8"=1'-0"

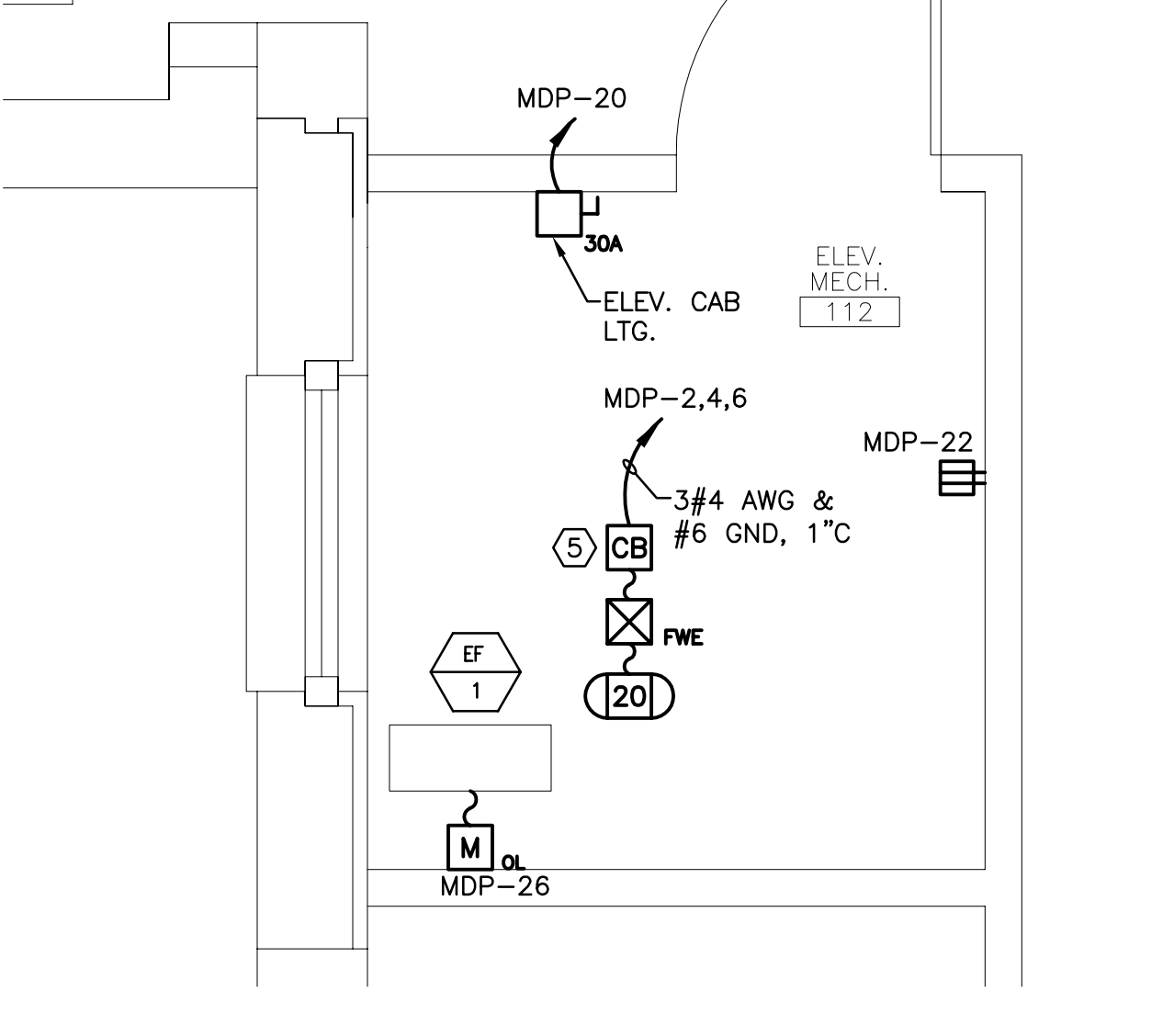
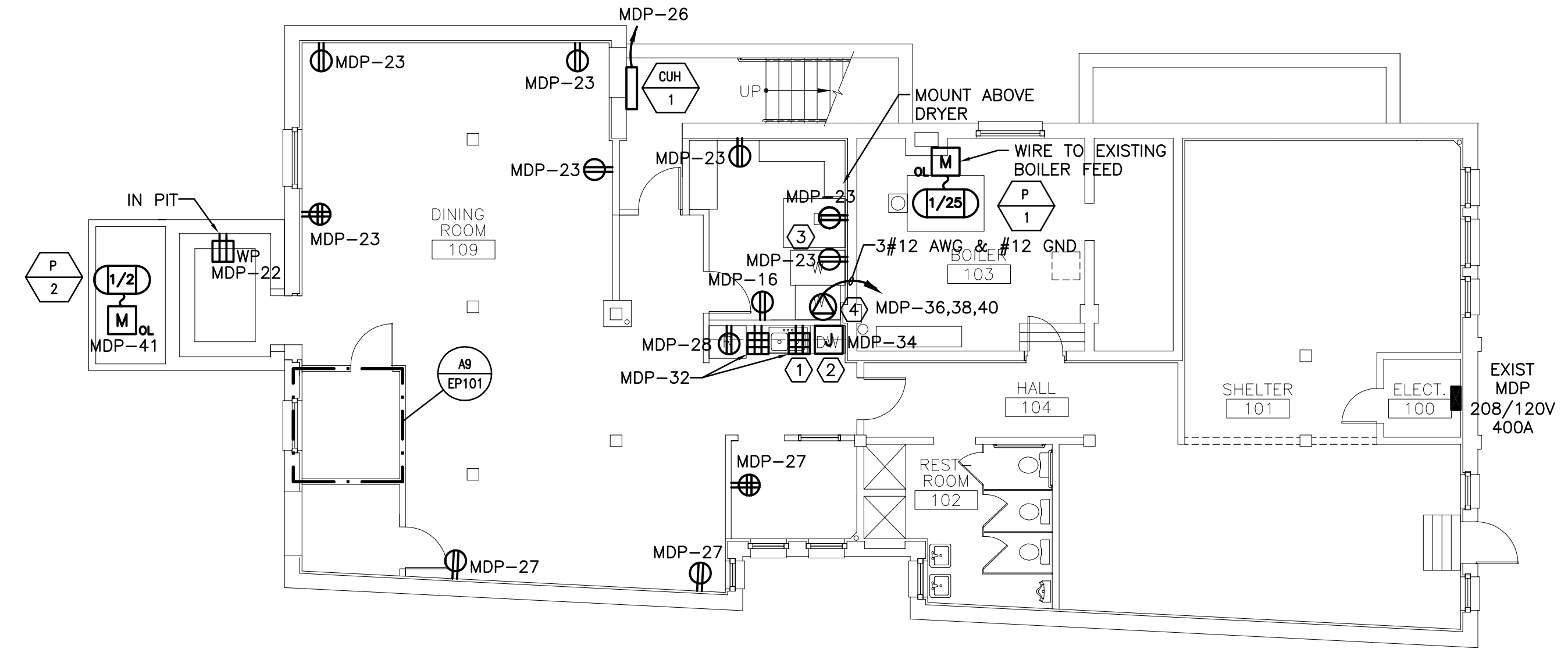


- NOTE:**
- SEE SHEET E-001 FOR LEGEND AND GENERAL NOTES.
  - VERIFY EXACT LOCATION OF ALL EQUIPMENT WITH MECHANICAL DRAWINGS.
  - VERIFY ALL KITCHEN EQUIPMENT LOCATIONS W/OWNER. CONTRACTOR TO PROVIDE TEMPORARY FREEZER OUTLETS AS REQUIRED.

- KEYED NOTES:**
- MOUNT RECEPTACLES 42" AFF TO CENTER OF DEVICE.
  - PROVIDE CONNECTION TO OWNER FURNISHED DISHWASHER.
  - MOUNT RECEPTACLE 72" AFF TO CENTER OF DEVICE.
  - RE-USE EXISTING RECEPTACLE FOR THREE PHASE WASHING MACHINE. SEE SHEET ED101 FOR PREVIOUS RECEPTACLE LOCATION.
  - PROVIDE 125A, 3 POLE SHUNT TRIP CIRCUIT BREAKER FOR ELEVATOR. ACTIVATION OF HEAT DETECTOR TO OPEN SHUNT TRIP CIRCUIT BREAKER. COORDINATE ALL WORK ASSOCIATED WITH ELEVATOR AND ELEVATOR BATTERY LOWERING DEVICE W/ELEVATOR INSTALLER.
  - PROVIDE POWER FOR RELOCATED DISHWASHER, GARBAGE DISPOSAL AND RANGE HOOD. COORDINATE LOCATION OF EQUIPMENT WITH OWNER. COORDINATE LOCATION OF RANGE HOOD EXHAUST FAN WITH MECHANICAL CONTRACTOR. RELOCATE RANGE HOOD FAN DISCONNECT AND CONTROLS FROM EXISTING LOCATION TO NEW LOCATION.
  - RE-USE FEEDER FOR EXISTING PANELBOARD P-1 AND EXTEND ALL EXISTING BRANCH CIRCUITS TO NEW PANELBOARD LOCATION. SEE SHEET ED101 FOR EXISTING LOCATION OF P-1.

F1 SECOND FLOOR PLAN

1/8"=1'-0"



A1 FIRST FLOOR PLAN

A9 ELEV. MECH. RM. 112 PART PLAN

1/8"=1'-0"

1/2"=1'-0"