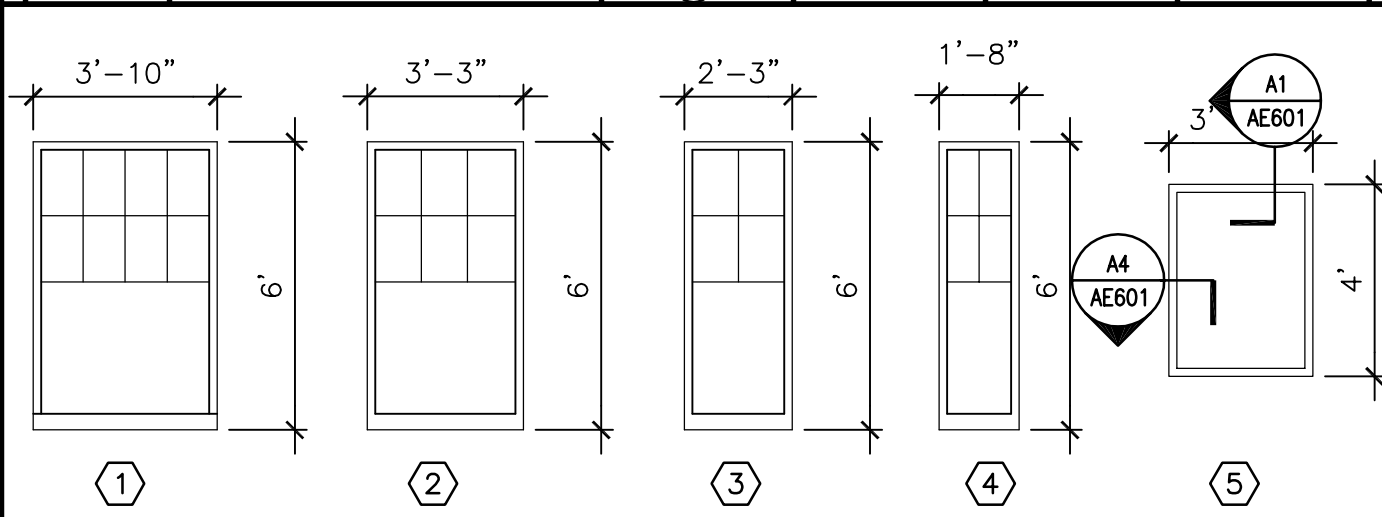


**ROOM FINISH SCHEDULE**

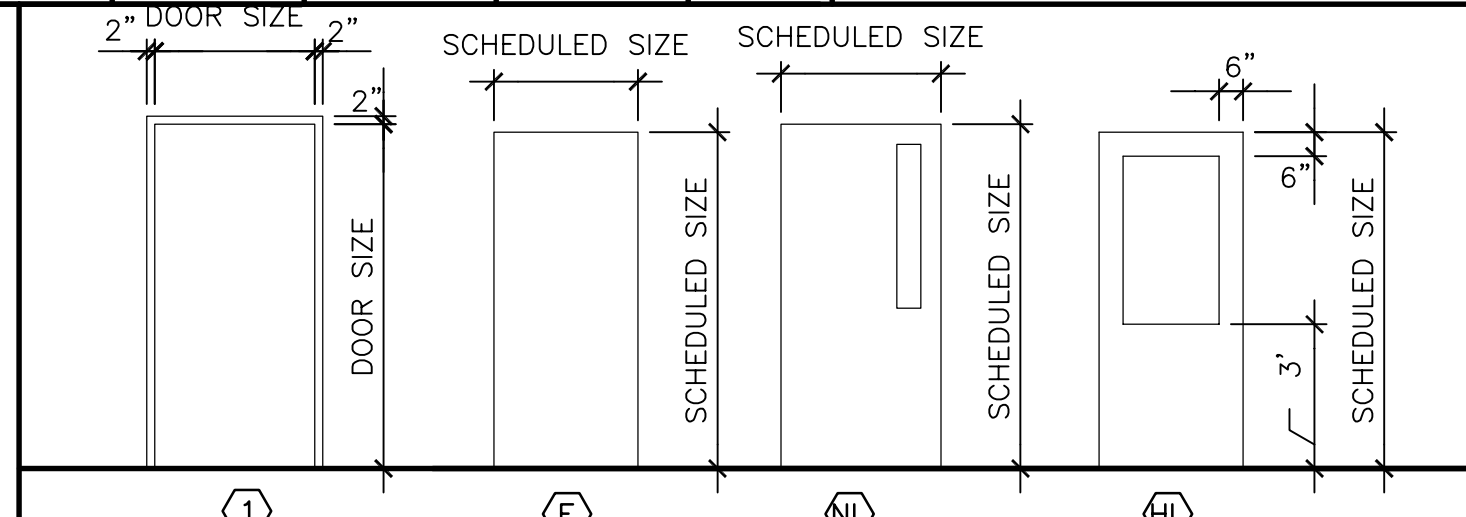
ROOM NUMBER	ROOM NAME	FLOOR	BASE	WALLS				CEILING		ROOM NUMBER	REMARKS
				NORTH	EAST	SOUTH	WEST	MATERIAL	HEIGHT		
100	ELECT.	EXISTING	EXISTING	EXISTING	EXISTING	EXISTING	EXISTING	EXISTING	EXISTING	100	① PAINT/PATCH EXISTING PLASTER
101	SHELTER	EXISTING	EXISTING	EXISTING	EXISTING	EXISTING	EXISTING	EXISTING	EXISTING	101	② VCT AT LANDINGS
102	RESTROOM	EXISTING	EXISTING	EXISTING	EXISTING	EXISTING	EXISTING	EXISTING	EXISTING	102	③ CLEAN/PAINT EXISTING MASONRY WALL
103	BOILER	EXISTING	EXISTING	-	-	-	-	-	-	103	④ PAINT EXISTING AND NEW WALL
104	HALL	EXISTING	EXISTING	EXISTING	EXISTING	EXISTING	EXISTING	EXISTING	EXISTING	104	⑤ MATCH EXISTING CEILING HEIGHT.
105	LAUNDRY	RB	RB	GWB/PT	GWB/PT	GWB/PT	GWB/PT	ACT-2	7'-6"	105	
106	OFFICE	VCT	RB	GWB/PT	GWB/PT	GWB/PT	GWB/PT	ACT-1	7'-6"	106	
107	BLANKET STOR.	VCT	RB	GWB/PT	GWB/PT	GWB/PT	GWB/PT	ACT-1	7'-6"	107	
108	KITCHENETTE	VCT	RB	GWB/PT	GWB/PT	GWB/PT	GWB/PT	ACT-1	7'-6"	108	
109	DINING ROOM	VCT	RB	GWB/PT	①	GWB/PT	①	ACT-1	7'-6"	109	
112	ELEV. MECH.	VCT	RB	①	GWB/PT	GWB/PT	GWB/PT	EXP. CLG.	7'-6"	112	
114	MAT STOR.	VCT	RB	①	GWB/PT	GWB/PT	①	ACT-1	7'-6"	114	
ST2-1	STAIR	②	RB	③	GWB/PT	GWB/PT	③	GWB	VARIES	ST2-1	
201	OFFICE	EXISTING	EXISTING	EXISTING	EXISTING	EXISTING	EXISTING	EXISTING	EXISTING	201	
202	OFFICE	EXISTING	EXISTING	EXISTING	EXISTING	EXISTING	④	EXISTING	EXISTING	202	
203	HALL	VCT	RB	GWB/PT	④	①	④	ACT	⑤	203	
204	LOUNGE	EXISTING	EXISTING	EXISTING	EXISTING	EXISTING	EXISTING	EXISTING	EXISTING	204	
205	OFFICE	EXISTING	EXISTING	EXISTING	EXISTING	EXISTING	EXISTING	EXISTING	EXISTING	205	
206	OFFICE	EXISTING	EXISTING	EXISTING	EXISTING	EXISTING	EXISTING	EXISTING	EXISTING	206	
207	STOR.	VCT	RB	GWB/PT	④	④	④	ACT-1	⑤	207	
208	RECEPTION	VCT	RB	④	④	④	④	ACT-1	⑤	208	
209	MAINT.	VCT	RB	GWB/PT	GWB/PT	GWB/PT	GWB/PT	ACT-1	⑤	209	
211	STOR.	VCT	RB	GWB/PT	GWB/PT	④	GWB/PT	ACT-2	⑤	211	
212	RESTROOM	EXISTING	EXISTING	EXISTING	EXISTING	EXISTING	EXISTING	EXISTING	EXISTING	212	
213	KITCHEN	VCT	RB	④	④	④	GWB/PT	ACT-2	⑤	213	
214	H.C. RESTROOM	VCT	RB	GWB/PT	GWB/PT	④	④	ACT-1	⑤	214	
215	VESTIBULE	CONC SLD	RB	GWB/PT	GWB/PT	GWB/PT	GWB/PT	GWB	⑤	215	
216	OFFICE	VCT	RB	GWB/PT	GWB/PT	④	④	ACT-1	⑤	216	
218	STOR.	VCT	RB	GWB/PT	GWB/PT	GWB/PT	GWB/PT	GWB	⑤	218	
222	CLIENT LOUNGE	VCT	RB	④	GWB/PT	GWB/PT	④	ACT-1	⑤	222	
ST1-2	STAIR	②	RB	④	GWB/PT	④	④	GWB	⑤	ST1-2	
ST2-2	STAIR	②	RB	④	GWB/PT	GWB/PT	GWB/PT	GWB	⑤	ST2-2	
301	BEDROOM	VCT	RB	GWB/PT	GWB/PT	GWB/PT	GWB/PT	ACT-1	8'-0"	301	
302	BEDROOM	VCT	RB	GWB/PT	GWB/PT	GWB/PT	GWB/PT	ACT-1	8'-0"	302	
303	BEDROOM	VCT	RB	GWB/PT	GWB/PT	GWB/PT	GWB/PT	ACT-1	8'-0"	303	
304	WOMENS RESTROOM	VCT	RB	GWB/PT	GWB/PT	GWB/PT	GWB/PT	ACT-1	8'-0"	304	
305	HALL	VCT	RB	GWB/PT	GWB/PT	GWB/PT	GWB/PT	ACT-1	8'-0"	305	
306	JAN	VCT	RB	GWB/PT	GWB/PT	GWB/PT	GWB/PT	ACT-1	8'-0"	306	
307	FEMALE SHELTER	VCT	RB	GWB/PT	GWB/PT	GWB/PT	GWB/PT	ACT-1	8'-0"	307	
308	MENS RESTROOM	VCT	RB	GWB/PT	GWB/PT	GWB/PT	GWB/PT	ACT-1	8'-0"	308	
309	CONSULT	VCT	RB	GWB/PT	GWB/PT	GWB/PT	GWB/PT	ACT-1	8'-0"	309	
311	CONSULT	VCT	RB	GWB/PT	GWB/PT	GWB/PT	GWB/PT	ACT-1	8'-0"	311	
312	FILES	VCT	RB	GWB/PT	GWB/PT	GWB/PT	GWB/PT	ACT-1	8'-0"	312	
313	HALL	VCT	RB	GWB/PT	GWB/PT	GWB/PT	GWB/PT	ACT-1	8'-0"	313	
314	NURSE WORKROOM	VCT	RB	GWB/PT	GWB/PT	GWB/PT	GWB/PT	ACT-1	8'-0"	314	
315	BEDROOM	VCT	RB	GWB/PT	GWB/PT	GWB/PT	GWB/PT	ACT-1	8'-0"	315	
316	EXAM	VCT	RB	GWB/PT	GWB/PT	GWB/PT	GWB/PT	ACT-1	8'-0"	316	
318	BEDROOM	VCT	RB	GWB/PT	GWB/PT	GWB/PT	GWB/PT	ACT-1	8'-0"	318	
322	BEDROOM	VCT	RB	GWB/PT	GWB/PT	GWB/PT	GWB/PT	ACT-1	8'-0"	322	
ST1-3	STAIR	②	RB	GWB/PT	GWB/PT	GWB/PT	GWB/PT	GWB	VARIES	ST1-3	
ST2-3	STAIR	②	RB	GWB/PT	GWB/PT	GWB/PT	GWB/PT	GWB	VARIES	ST2-3	

**DOOR SCHEDULE**

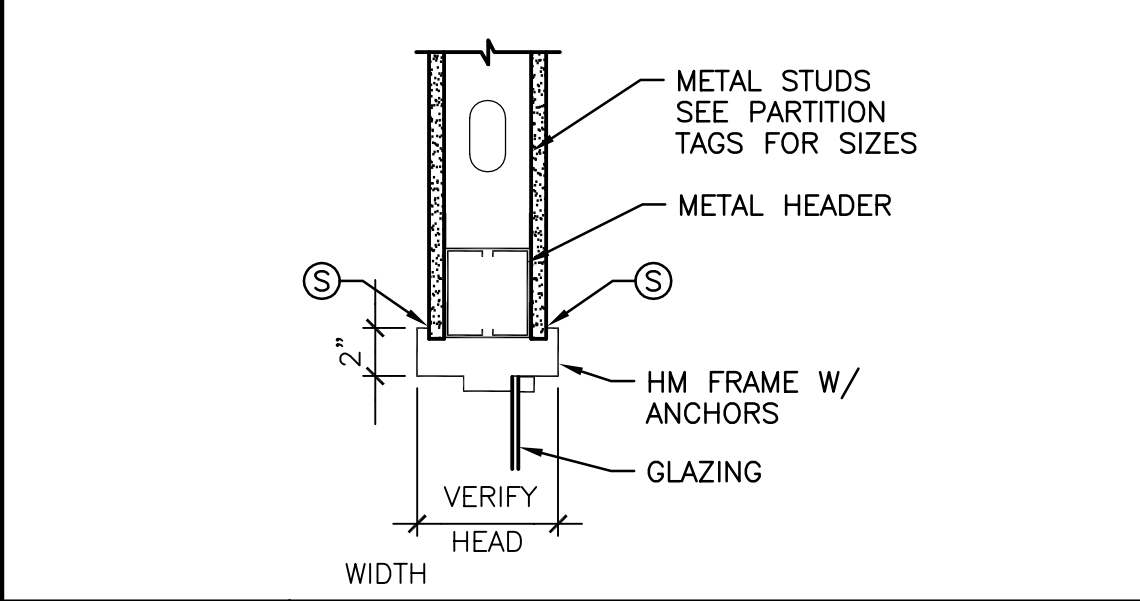
DOOR NUMBER	DOOR			GLAZING	FRAME			HWS	FIRE RATING (MIN.)	DOOR NUMBER	REMARKS
	SIZE	MATERIAL	ELEVATION		MATERIAL	ELEVATION	JAMB				
100	EXISTING	EXIST	-	-	-	-	-	*	-	100	
101	EXISTING	EXIST	-	-	-	-	-	*	-	101	
103	EXISTING	EXIST	-	-	-	-	-	*	-	103	
104	EXISTING	EXIST	-	-	-	-	-	*	-	104	
105	3'-0"x7'-0"	WD	F	-	HM	1	A7/AE601	1	45	105	
107	3'-0"x7'-0"	WD	F	-	HM	1	A7/AE601	2	45	107	
112	3'-0"x7'-0"	WD	F	-	HM	1	A7/AE601	1	45	112	
114	3'-0"x7'-0"	WD	F	-	HM	1	A7/AE601	2	45	114	
ST2-1	3'-0"x7'-0"	WD	NL	WIRE	HM	1	A7/AE601	3	60	ST2-1	
201	EXISTING	EXIST	-	-	-	-	-	*	-	201	
202	EXISTING	EXIST	-	-	-	-	-	*	-	202	
203a	EXISTING	EXIST	-	-	-	-	-	*	-	203a	
203b	EXISTING	EXIST	-	-	-	-	-	*	-	203b	
203c	3'-0"x7'-0"	HM	HL	TEMP INSUL	HM	1	A7/AE601	4	-	203c	INSULATED
204a	EXISTING	EXIST	-	-	-	-	-	*	-	204a	
204b	EXISTING	EXIST	-	-	-	-	-	*	-	204b	
205	EXISTING	EXIST	-	-	-	-	-	*	-	205	
206	EXISTING	EXIST	-	-	-	-	-	*	-	206	
207	EXISTING	EXIST	-	-	-	-	-	*	45	207	PROVIDE CLOSER
209	3'-0"x7'-0"	WD	F	-	HM	1	A7/AE601	1	45	209	
211	3'-0"x7'-0"	WD	F	-	HM	1	A7/AE601	1	45	211	
212	EXISTING	EXIST	-	-	-	-	-	*	-	212	
213	3'-0"x7'-0"	WD	NL	WIRE	HM	1	A7/AE601	1	45	213	
214	3'-0"x7'-0"	WD	F	-	HM	1	A7/AE601	5	-	214	
215	3'-0"x7'-0"	HM	HL	TEMP INSUL	HM	1	A7/AE601	4	-	215	INSULATED
216	3'-0"x7'-0"	WD	F	-	HM	1	A7/AE601	6	-	216	
218	3'-0"x7'-0"	WD	F	-	HM	1	A7/AE601	7	-	218	
222	3'-0"x7'-0"	WD	F	-	HM	1	A7/AE601	7	-	222	
ST1-2a	3'-0"x7'-0"	HM	NL	TEMP INSUL	HM	1	A7/AE601	4	-	ST1-2a	INSULATED
ST1-2b	3'-0"x7'-0"	WD	NL	WIRE	HM	1	A7/AE601	3	60	ST1-2b	
ST2-2a	3'-0"x7'-0"	HM	NL	TEMP INSUL	HM	1	A7/AE601	4	-	ST2-2a	INSULATED
ST2-2b	3'-0"x7'-0"	WD	NL	TEMP	HM	1	A7/AE601	3	60	ST2-2b	
301	3'-0"x7'-0"	WD	F	-	HM	1	A7/AE601	7	-	301	
302	3'-0"x7'-0"	WD	F	-	HM	1	A7/AE601	7	-	302	
303a	3'-0"x7'-0"	WD	F	-	HM	1	A7/AE601	7	-	303a	
303b	3'-0"x7'-0"	WD	F	-	HM	1	A7/AE601	7	-	303b	
304	3'-0"x7'-0"	WD	F	-	HM	1	A7/AE601	5	-	304	
305	3'-0"x7'-0"	WD	NL	WIRE	HM	1	A7/AE601	3	60	305	
306	3'-0"x7'-0"	WD	F	-	HM	1	A7/AE601	8	-	306	
307	3'-0"x7'-0"	WD	F	-	HM	1	A7/AE601	9	60	307	
308	3'-0"x7'-0"	WD	F	-	HM	1	A7/AE601	5	-	308	
309	3'-0"x7'-0"	WD	NL	-	HM	1	A7/AE601	7	-	309	
311	3'-0"x7'-0"	WD	NL	-	HM	1	A7/AE601	7	-	311	
312	3'-0"x7'-0"	WD	F	-	HM	1	A7/AE601	6	-	312	
313a	3'-0"x7'-0"	WD	F	-	HM	1	A7/AE601	9	45	313a	
313b	3'-0"x7'-0"	WD	F	-	HM	1	A7/AE601	9	45	313b	
315	3'-0"x7'-0"	WD	F	-	HM	1	A7/AE601	7	-	315	
316	3'-0"x7'-0"	WD	F	-	HM	1	A7/AE601	5	-	316	
318	3'-0"x7'-0"	WD	F	-	HM	1	A7/AE601	7	-	318	
322	3'-0"x7'-0"	WD	F	-	HM	1	A7/AE601	7	-	322	
ST1-3	3'-0"x7'-0"	WD	NL	WIRE	HM	1	A7/AE601	3	60	ST1-3	
ST2-3	3'-0"x7'-0"	WD	NL	WIRE	HM	1	A7/AE601	3	60	ST2-3	



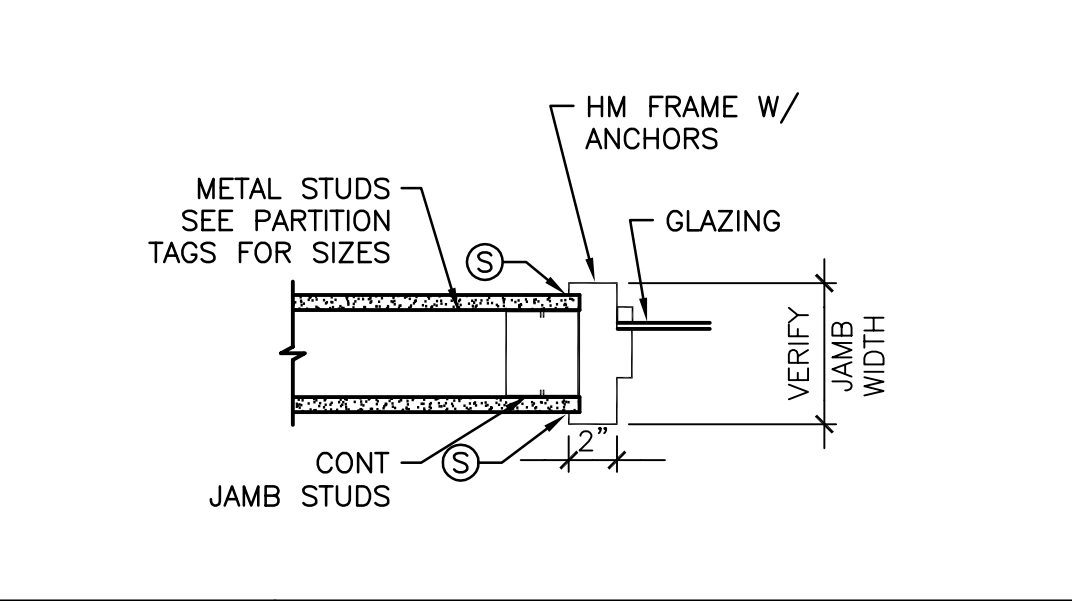
**C1 WINDOW TYPES**  
1/4"=1'-0"



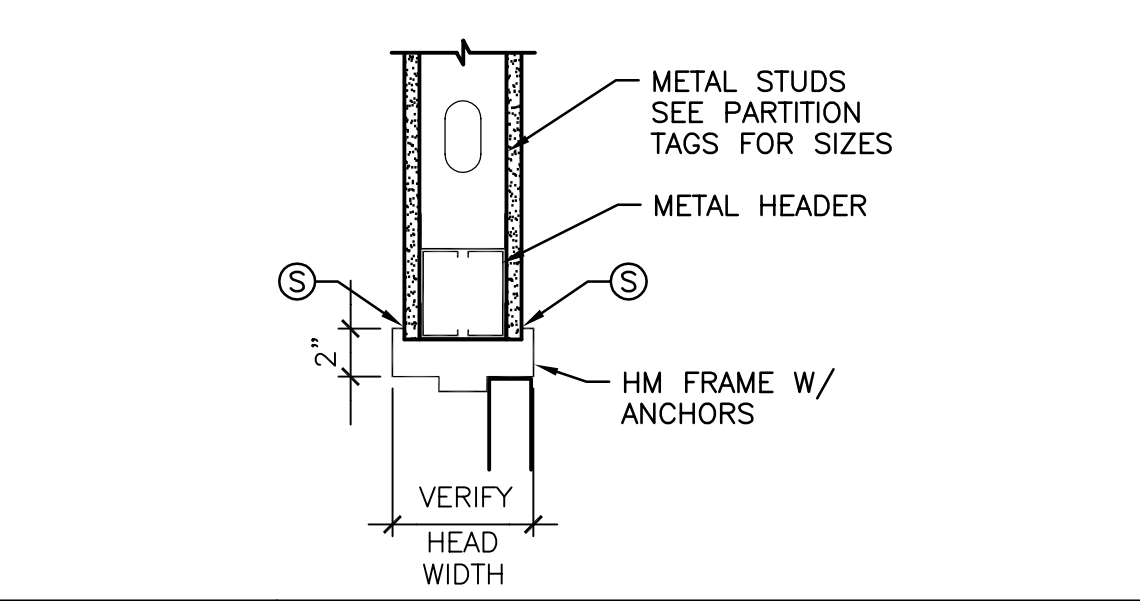
**C4 DOOR/FRAME TYPES**  
1/4"=1'-0"



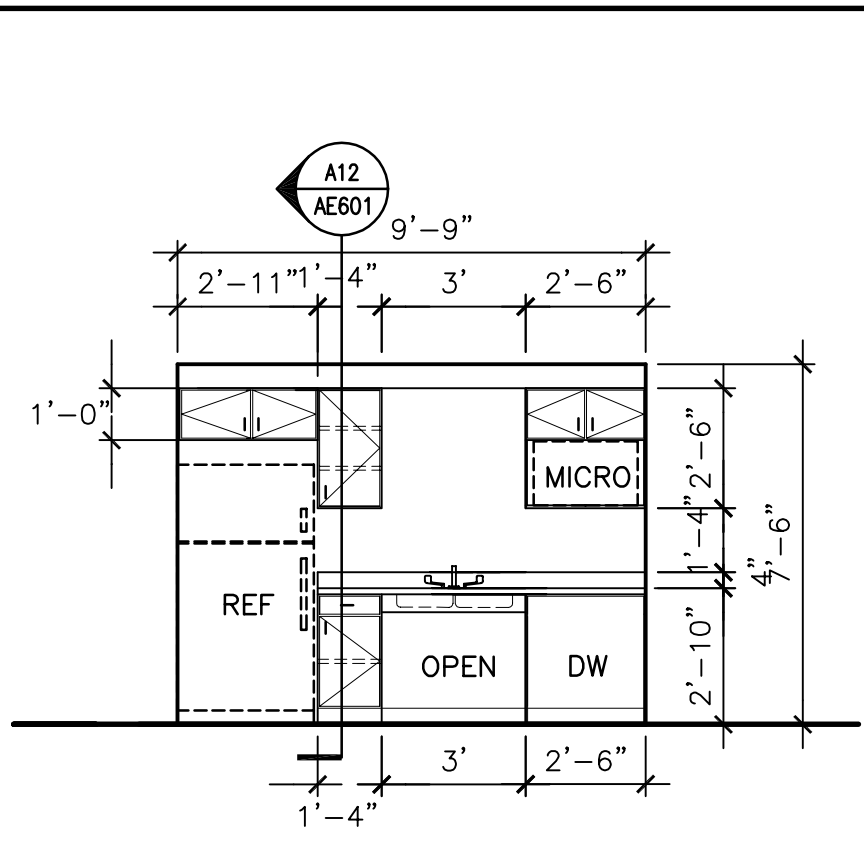
**A1 HEAD DETAIL**  
1 1/2"=1'-0"



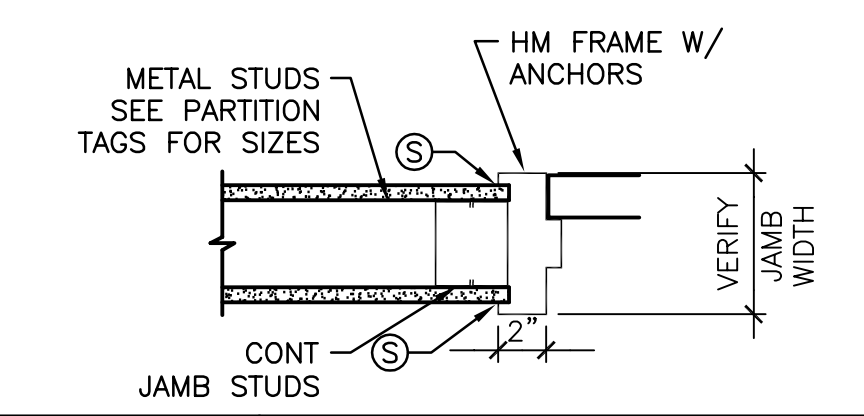
**A4 JAMB DETAIL**  
1 1/2"=1'-0"



**A7 HEAD DETAIL**  
1 1/2"=1'-0"



**C10 KITCHENETTE**  
1/4"=1'-0"



**A10 JAMB DETAIL**  
1 1/2"=1'-0"

