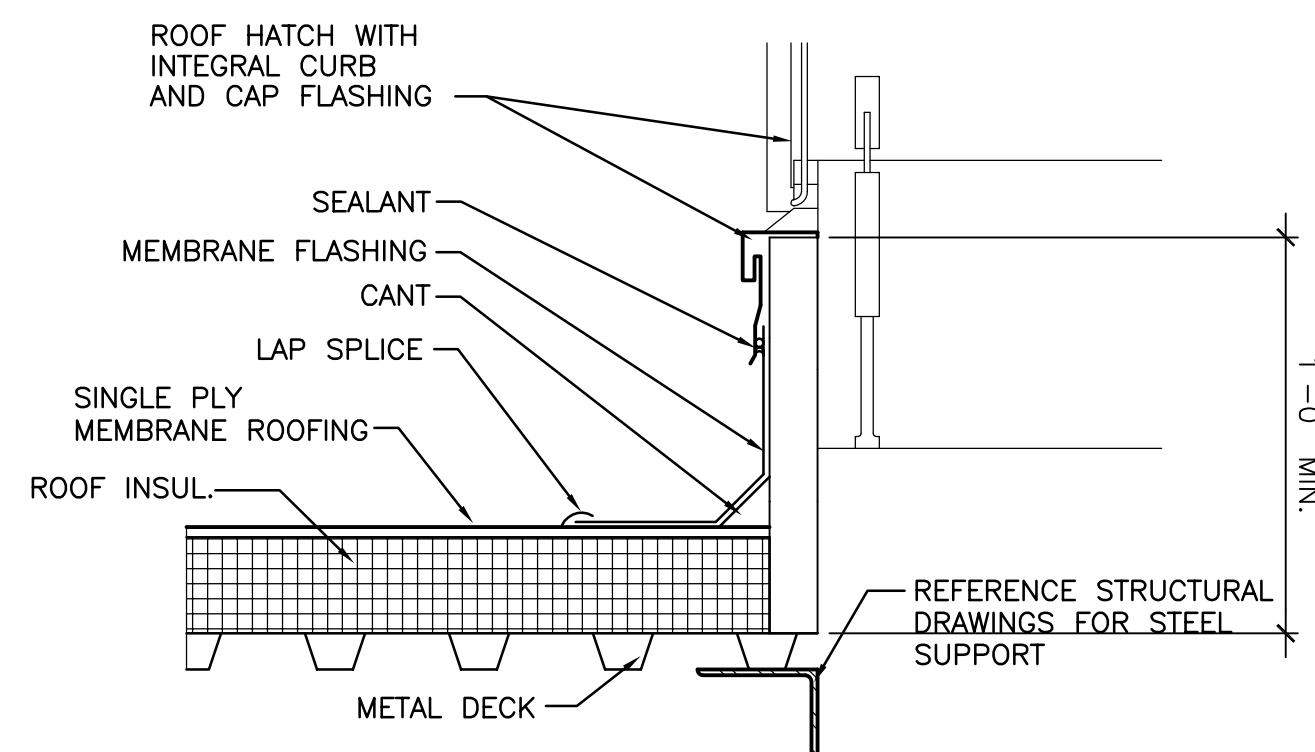


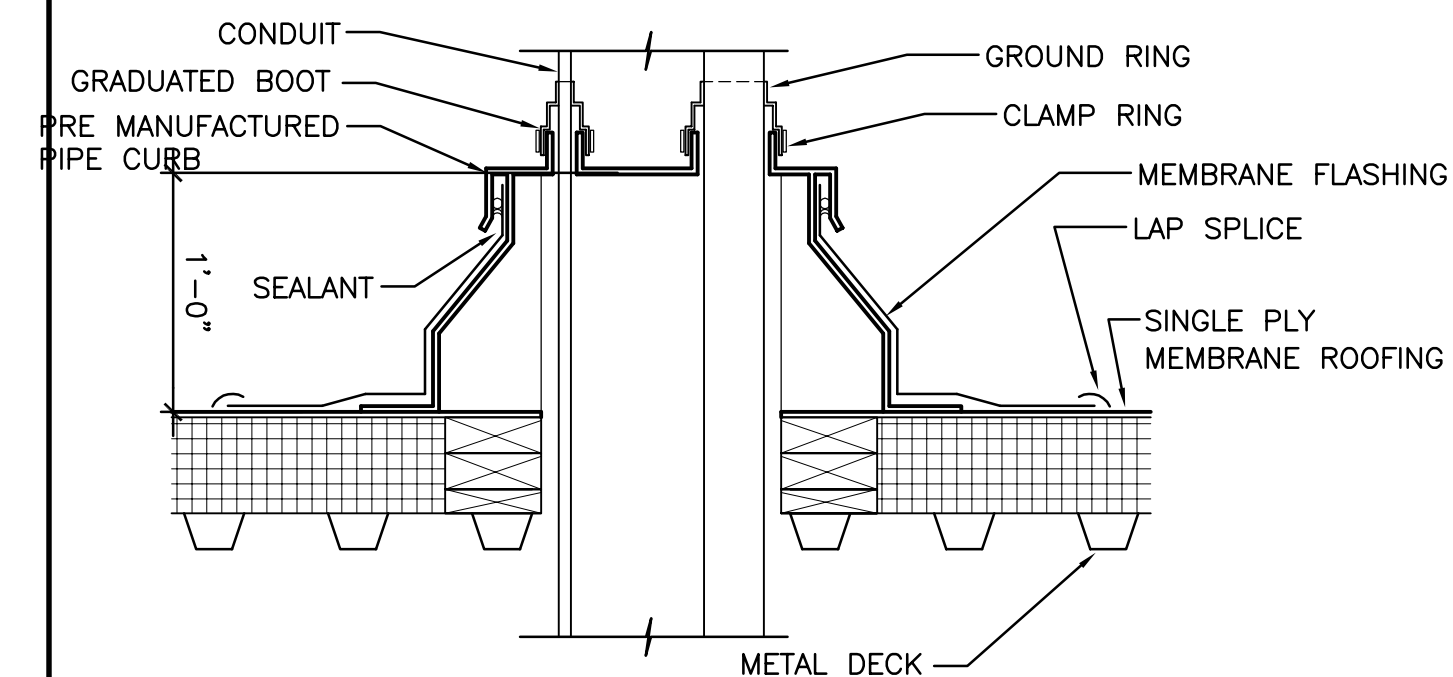


ARCHITECTURE ENGINEERING PLANNING  
SMART  
144 Fore Street/P.O. Box 618  
Portland, Maine 04104  
tel. (207) 772-3846  
fax. (207) 772-1070



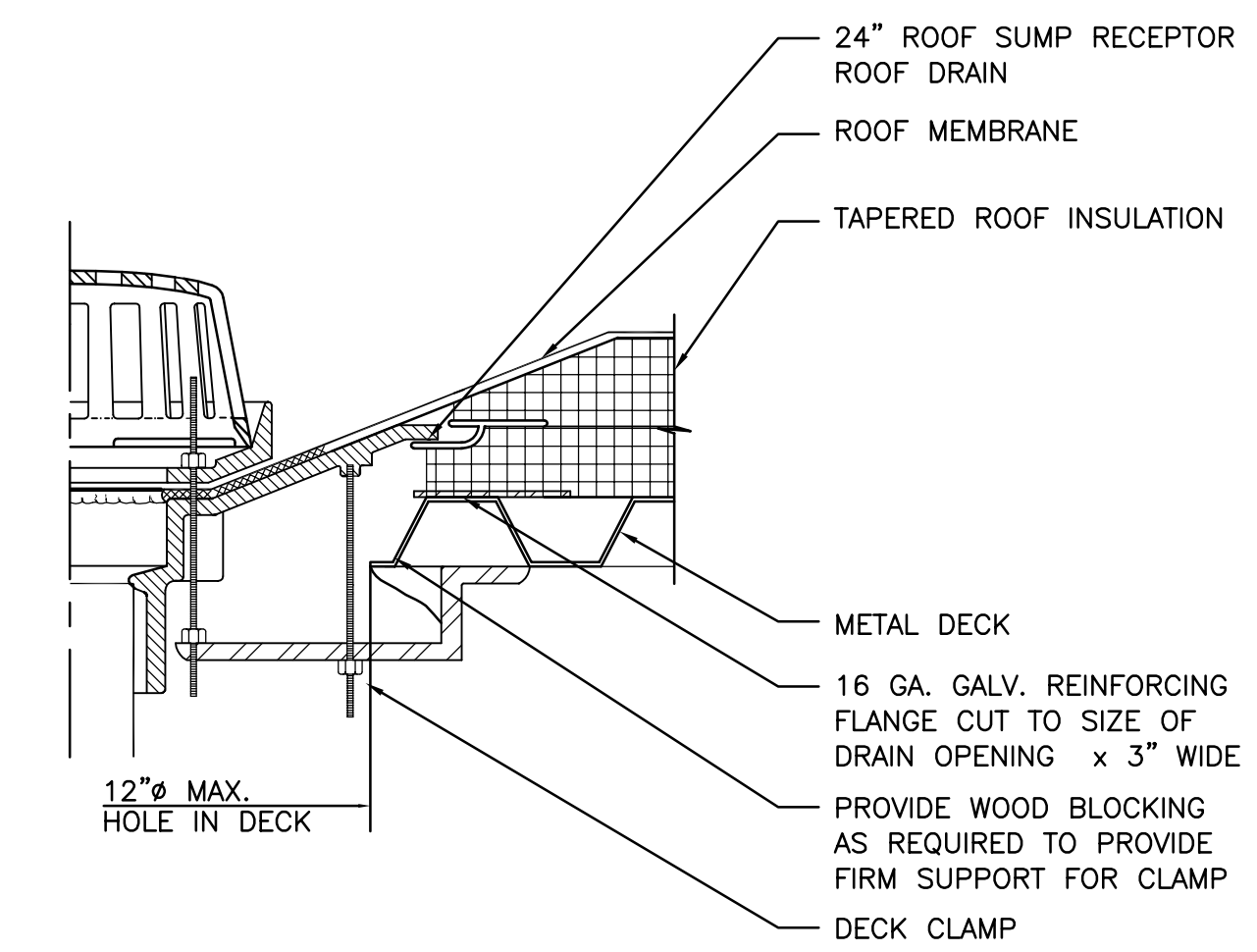
J5 ROOF SCUTTLE CURB-ALTERNATE

1-1/2" = 1'-0"



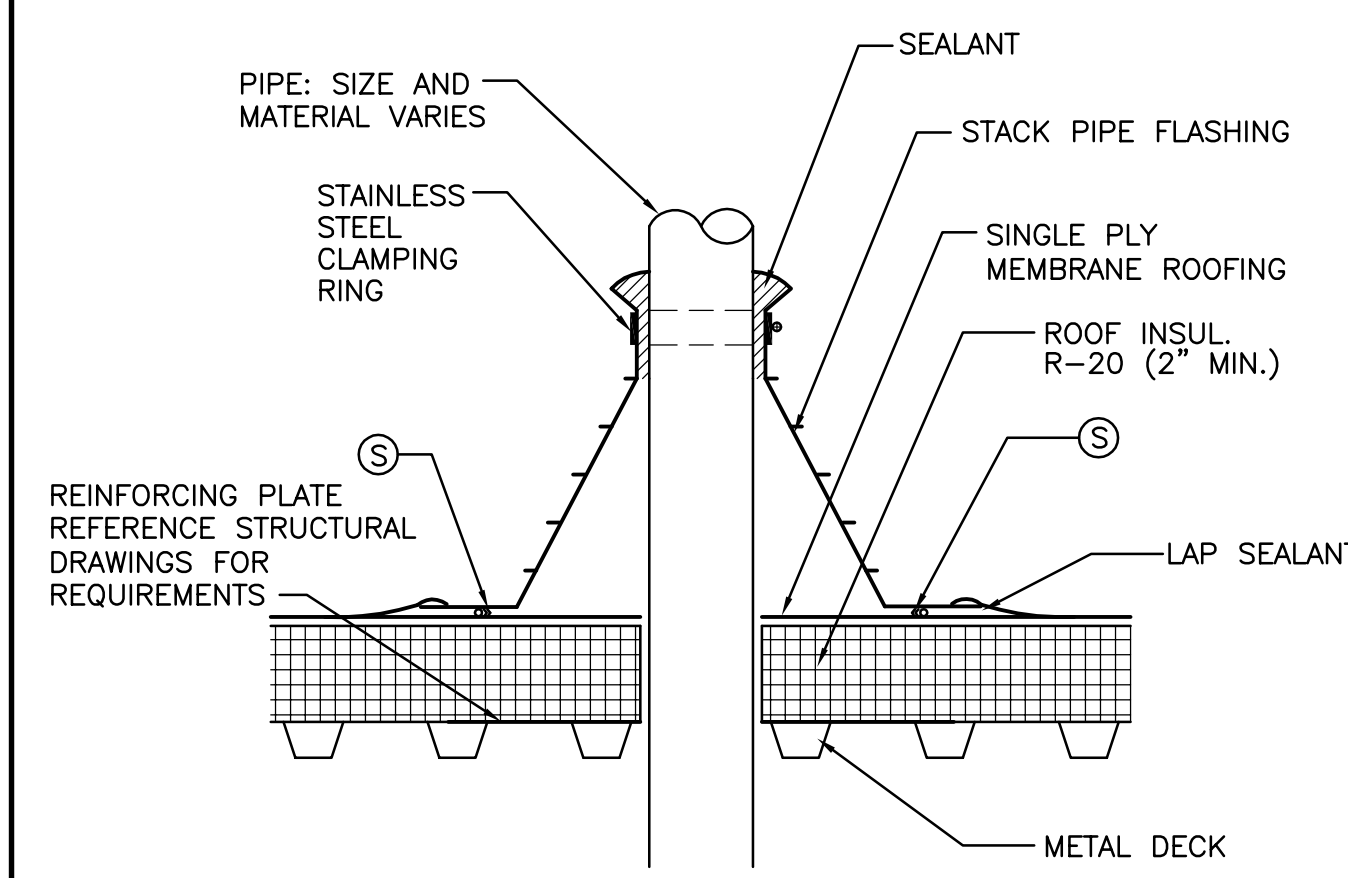
J9 MULTIPLE PIPE/CONDUIT PENETRATIONS

1-1/2" = 1'-0"



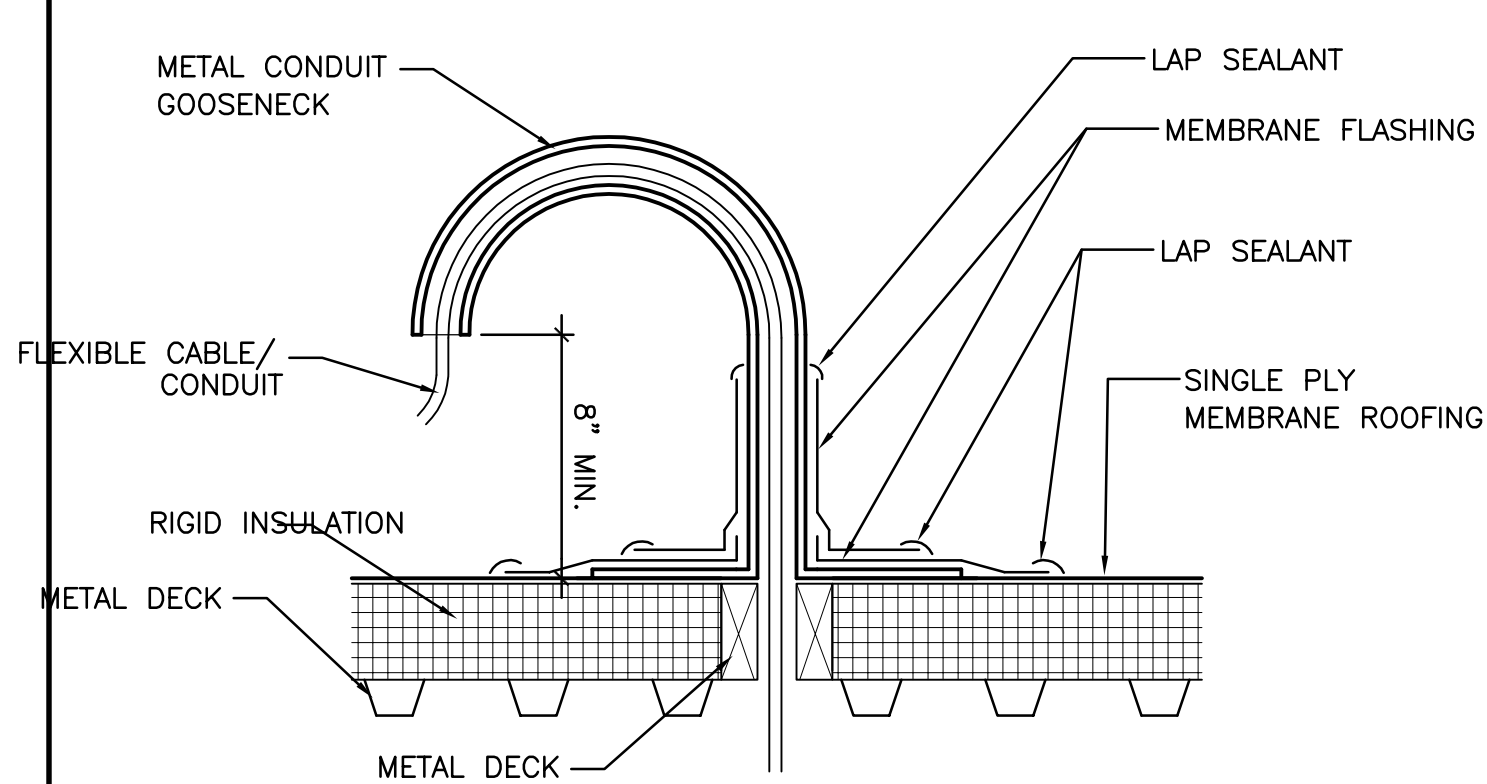
J13 ROOF DRAIN

1-1/2" = 1'-0"



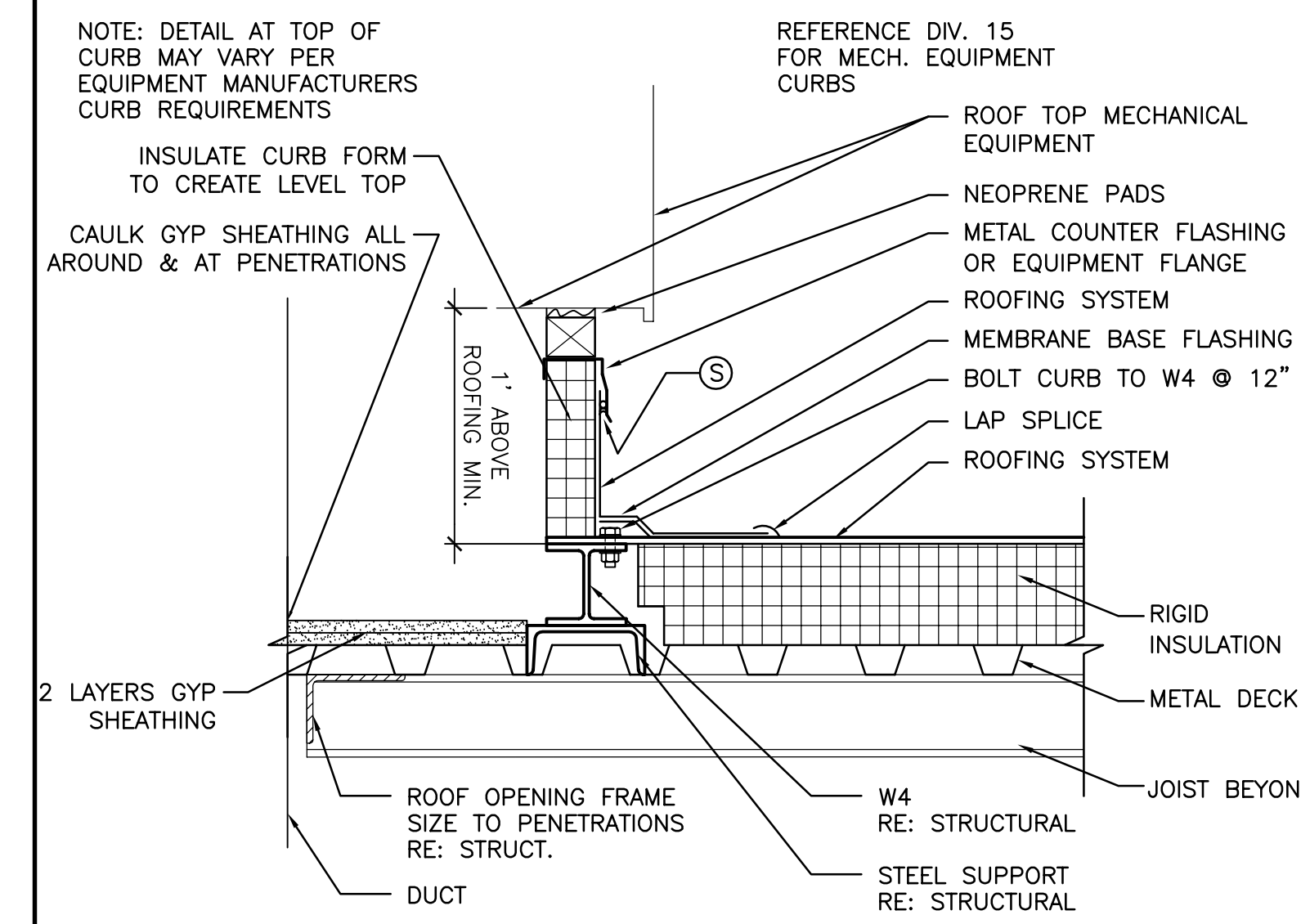
E5 PIPING PENETRATION

1-1/2" = 1'-0"



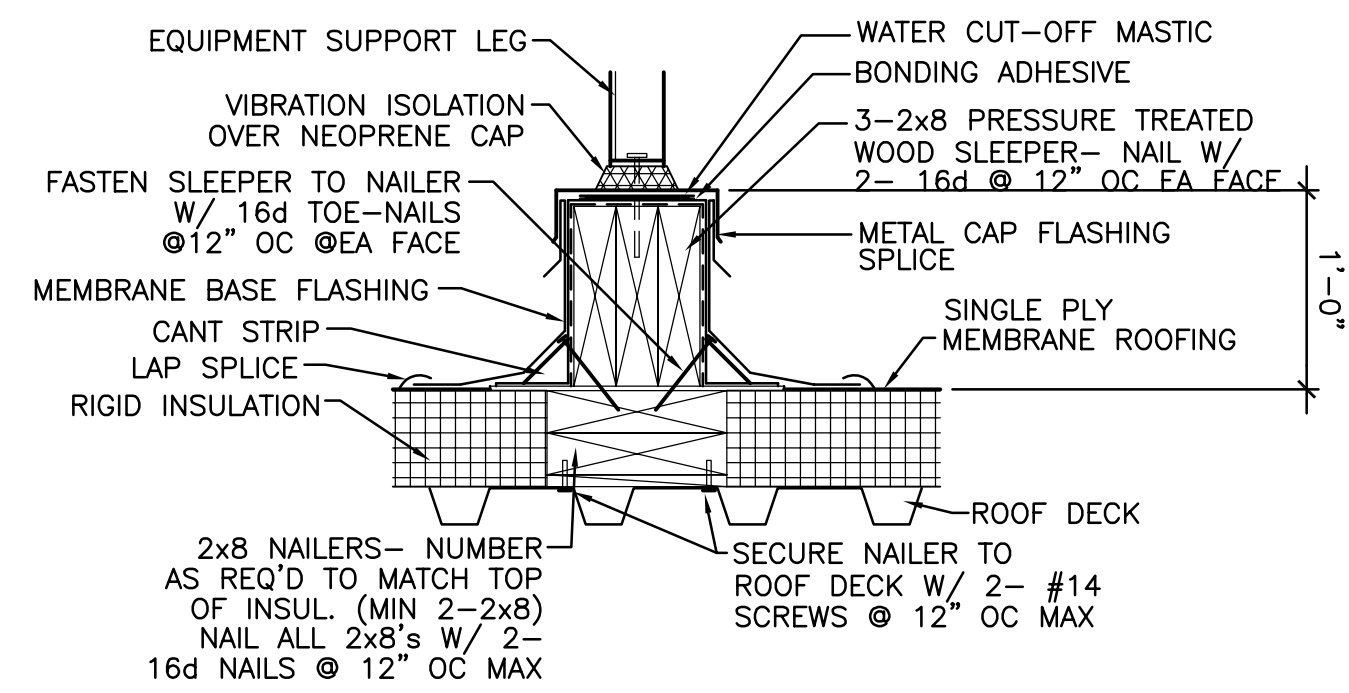
E9 SINGLE CONDUIT/CABLE PENETRATION

1-1/2" = 1'-0"



E13 MECHANICAL EQUIPMENT CURB

1-1/2" = 1'-0"



A9 EQUIPMENT SUPPORT DETAIL

1/2" = 1'-0"

PROJECT TITLE:  
THE MILESTONE FOUNDATION  
INDIA STREET, PORTLAND

CURRENT ISSUE STATUS:  
ISSUED FOR CONSTRUCTION  
4-17-03

| REV | DESCRIPTION             | DATE    |
|-----|-------------------------|---------|
| 0   | ISSUED FOR CONSTRUCTION | 4-17-03 |

GRAPHIC SCALE:  
0" 1"  
SCALE: 1 1/2" = 1'-0"  
PROJECT MANAGER: JLH  
JC/DRAWN BY: RIL  
A/E OF RECORD: JLH  
SMRT CAD FILE: AE501-03017  
PROJECT NO: 03017  
DATE: 4-17-03

SHEET TITLE:  
ROOF DETAILS  
SHEET No.  
AE501