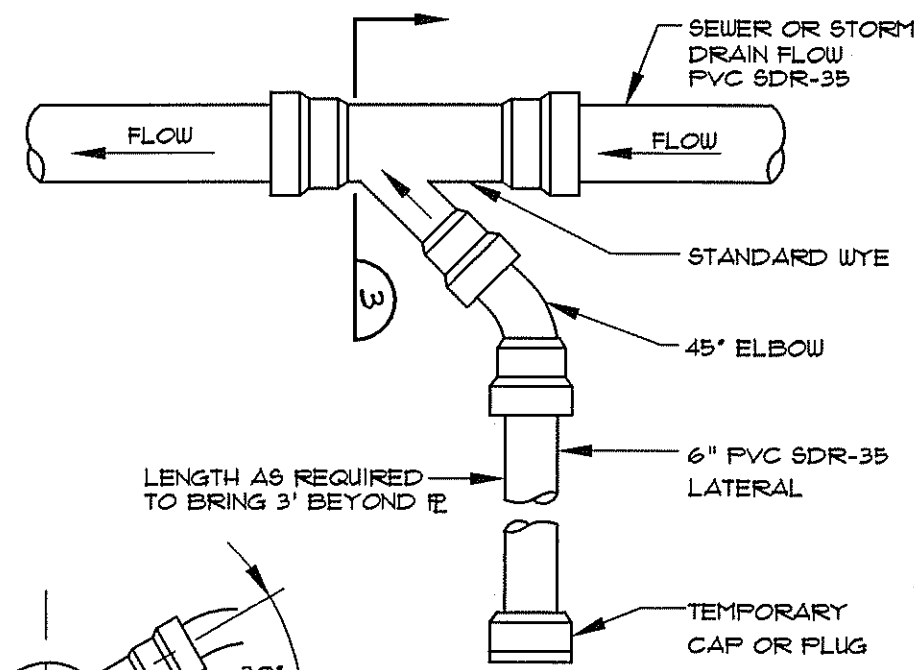
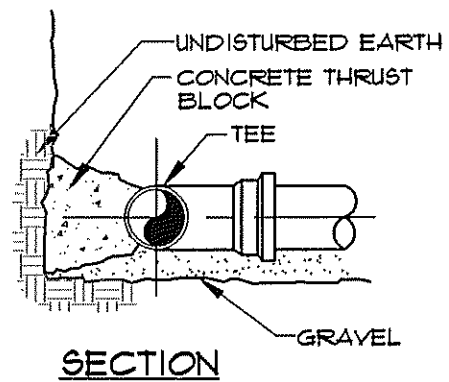


**1 SEWER CLEANOUT**  
NOT TO SCALE

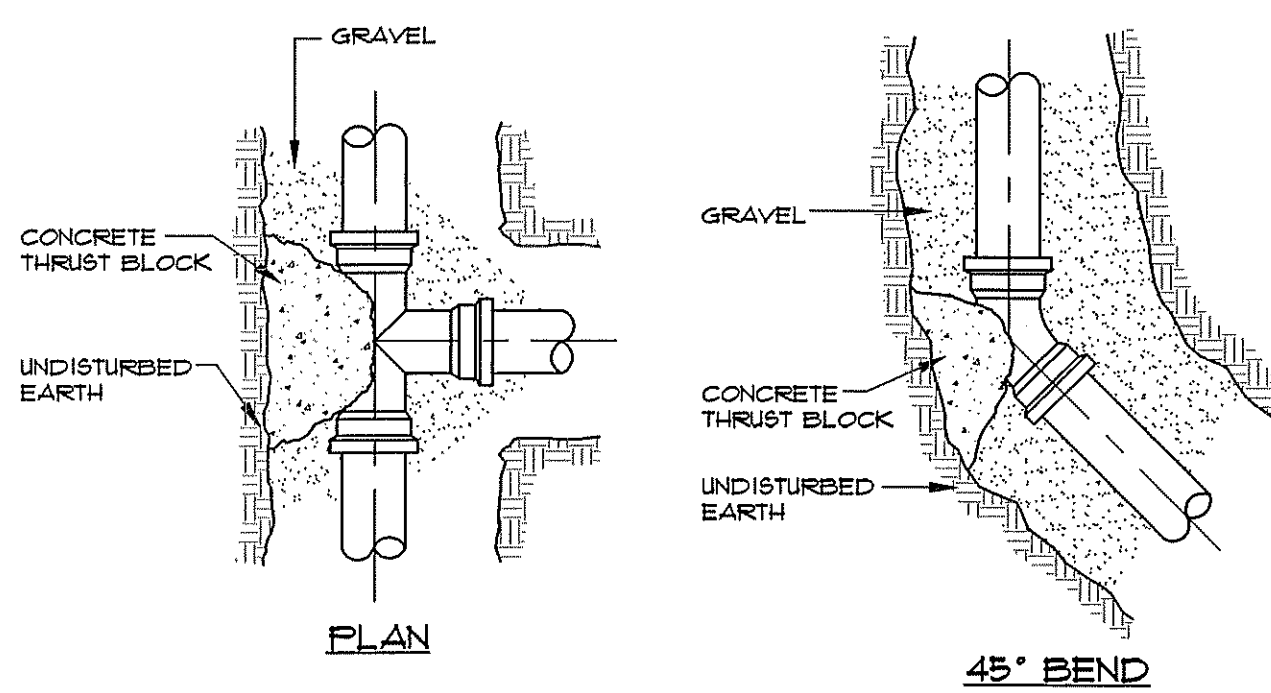


**2 SEWER / FOUNDATION DRAIN SERVICE CONNECTION**  
NOT TO SCALE

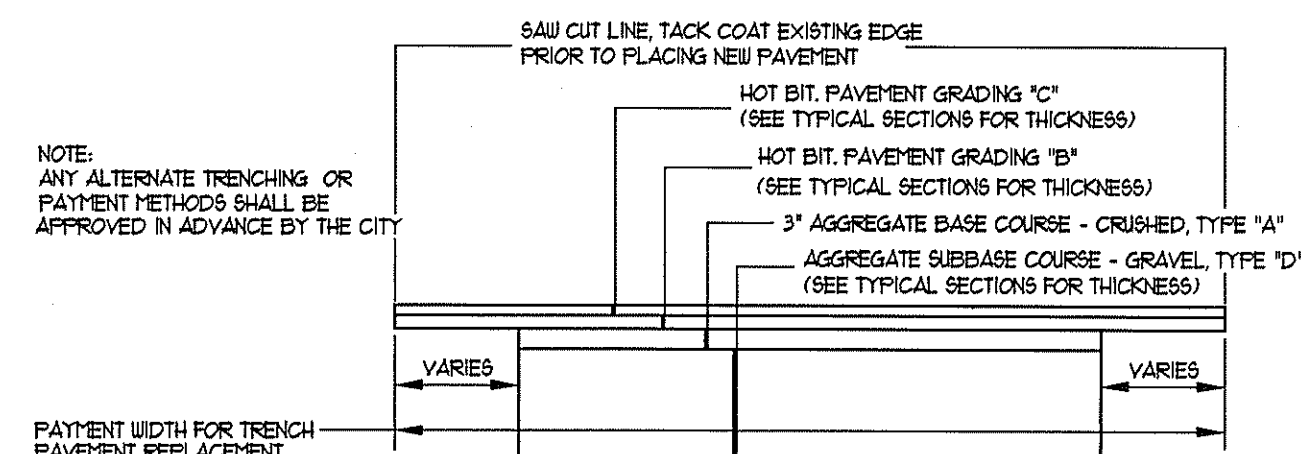


**3 TEE AND BEND DETAIL**  
NOT TO SCALE

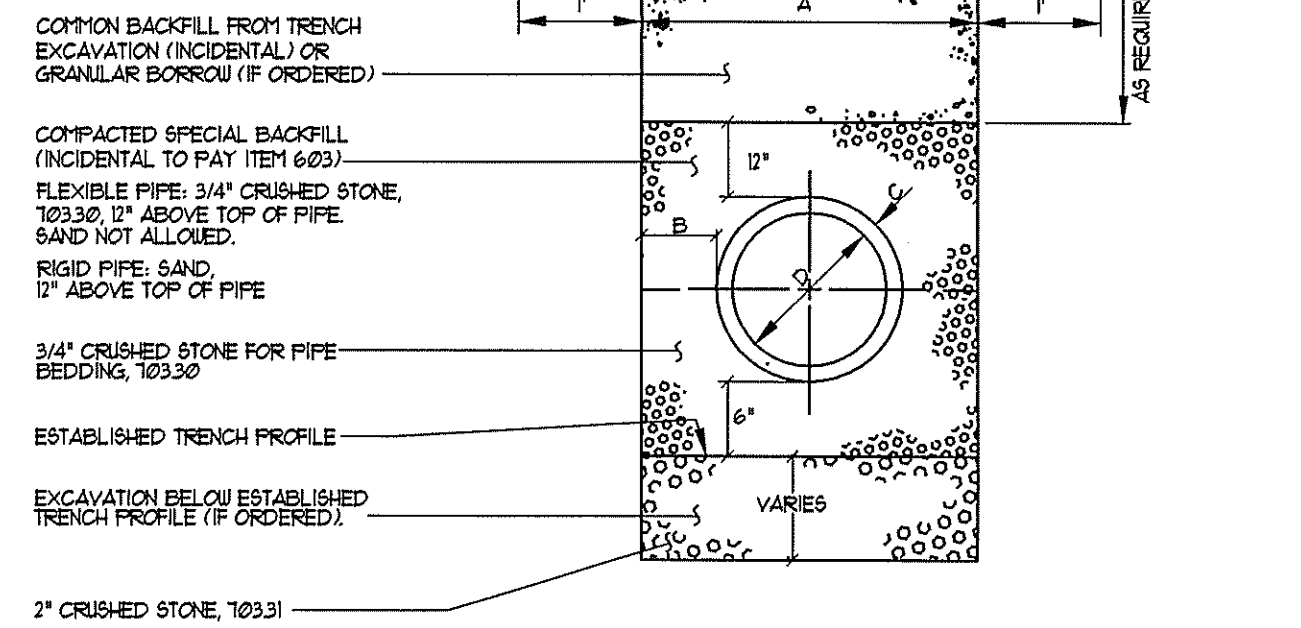
FITTINGS	SQ. FT. OF BEARING ON UNDISTURBED SOIL			
	90° BENDS	45° BENDS	TEES	FLUGS
PIPE SIZE				
6"	4.0	2.0	3.0	
8"	8.0	4.0	6.0	
12"	15	10	10	



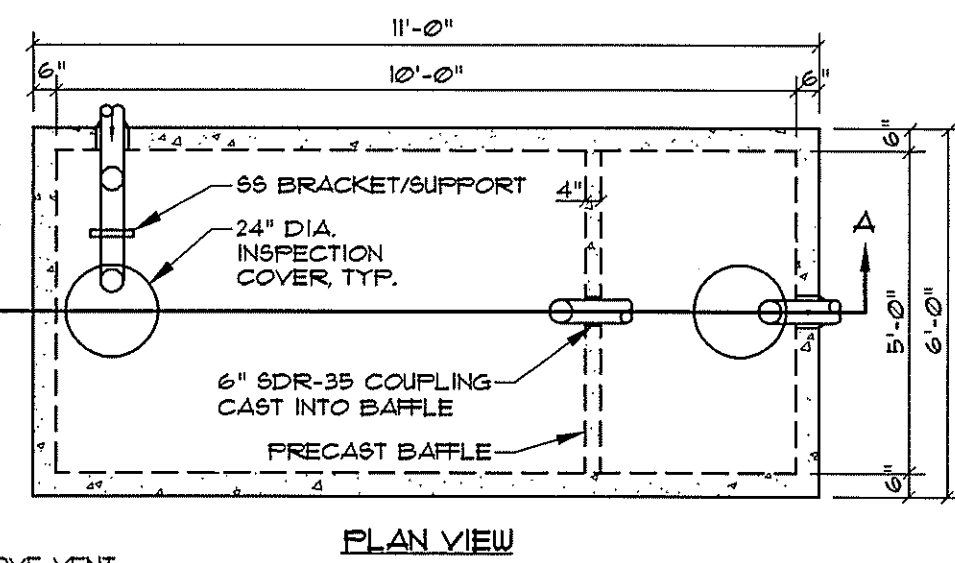
**45° BEND**



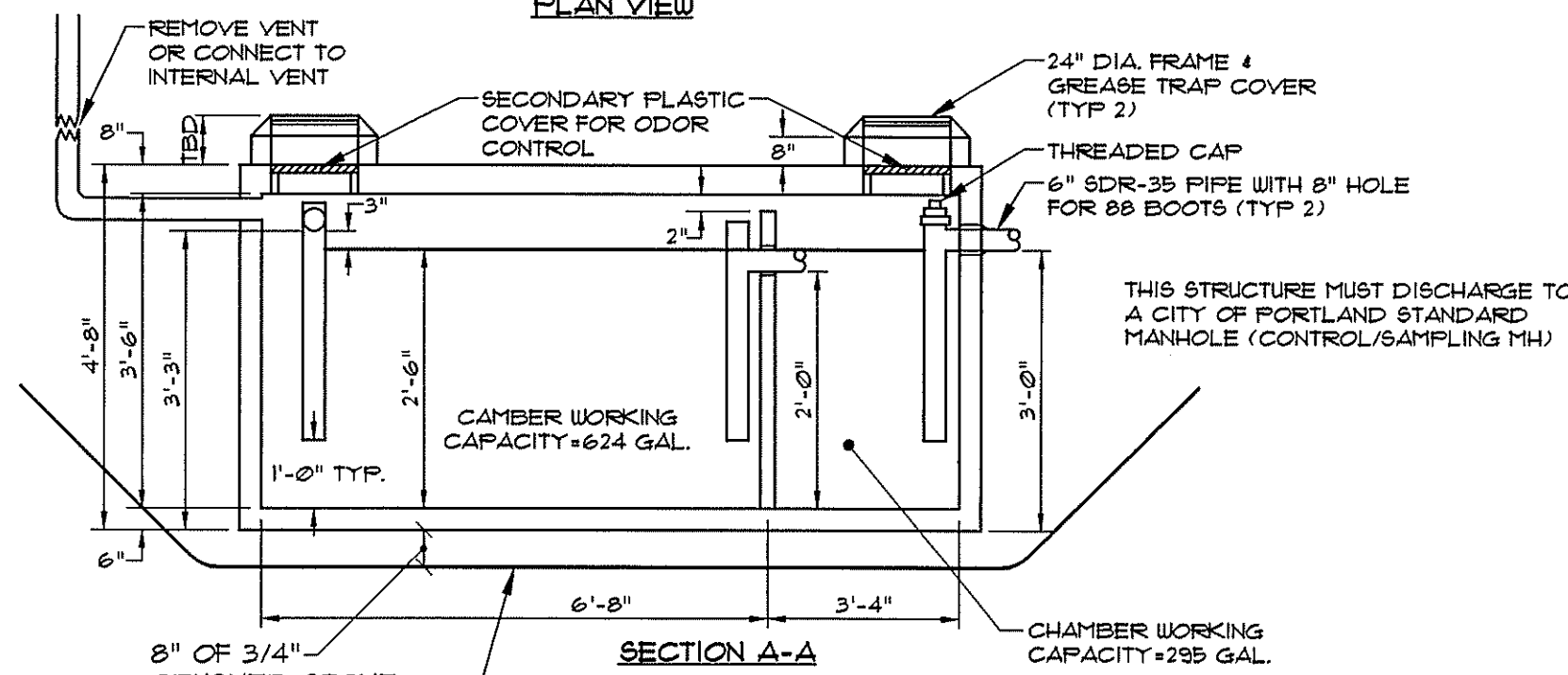
**4 TYPICAL PIPE INSTALLATION DETAIL**  
NOT TO SCALE



**5 5' GRANULAR BASE @ DOOR THRESHOLD**  
NOT TO SCALE



**6 GREASE TRAP**  
NOT TO SCALE



**9 MIDDLE & NEWBURY STREET SECTION**  
NOT TO SCALE

**TABLE OF DIMENSIONS  
PVC TRUSS, CMP, & POLYETHYLENE PIPE**

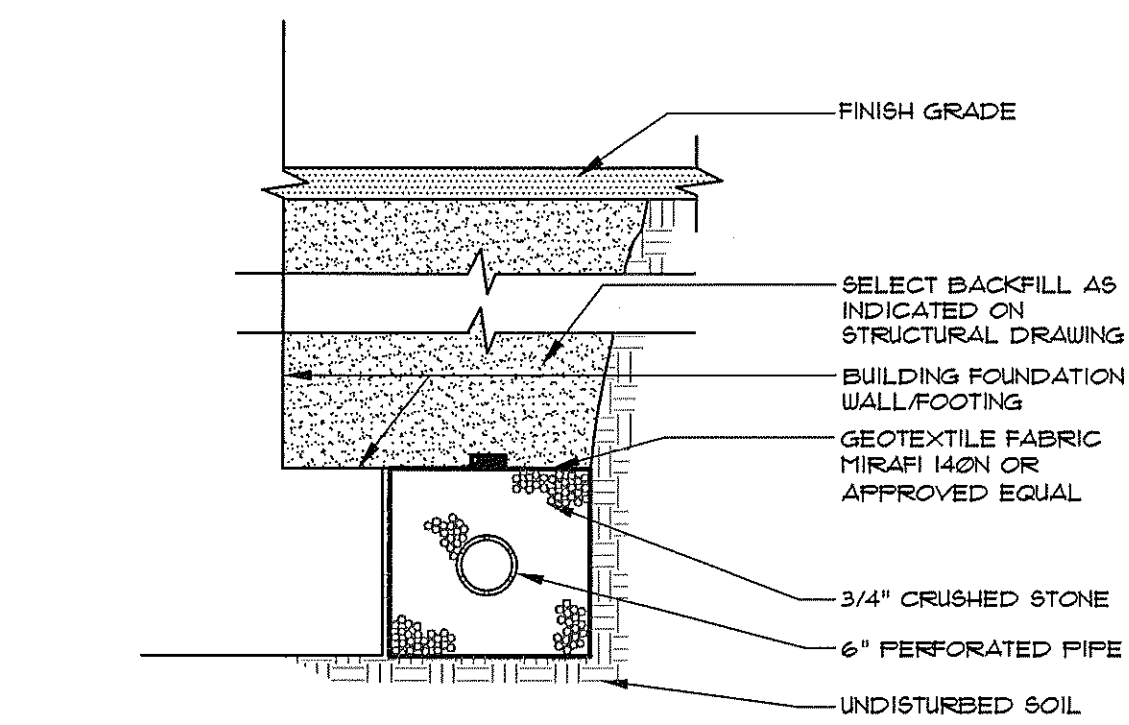
D	A	B	C	VOL. BASE /100	INSHEETS / D. SOCKET
8"	3'-0"	1'-1 1/2"	0'-1 1/2"	7.358	10 3/8"
10"	3'-0"	1'-0 3/8"	0'-0 5/8"	7.658	12 1/2"
12"	3'-0"	0'-11 3/8"	0'-0 5/8"	7.952	14 1/2"
14"	3'-0"	0'-10 3/8"	0'-0 5/8"	8.178	16 3/4"
16"	3'-0"	0'-9 1/4"	0'-0 3/4"	8.447	19"
18"	3'-0"	0'-8 1/4"	0'-0 3/4"	8.663	21 7/8"
20"	3'-0"	0'-7 3/8"	0'-0 3/4"	8.815	23 3/8"
24"	3'-1 3/4"	0'-6"	0'-0 7/8"	9.633	27 3/4"
27"	3'-5 1/4"	0'-6"	0'-1 1/8"	10.959	31 7/8"
30"	3'-8 1/4"	0'-6"	0'-1 1/8"	12.156	34 1/2"
32"	3'-11 3/4"	0'-6"	0'-1 3/8"	13.513	38 1/8"
36"	4'-2 3/4"	0'-6"	0'-1 3/8"	14.910	

A = WIDTH OF UNSHEEDED TRENCH

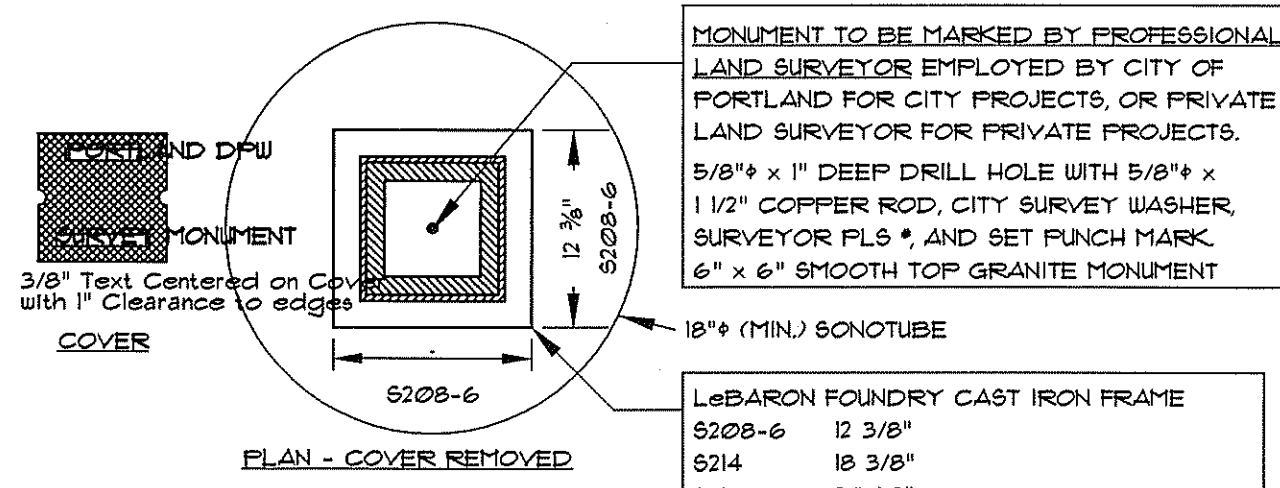
**TABLE OF DIMENSIONS  
REINFORCED CONCRETE PIPE**

D	A	B	C	VOL. BASE /100'	UNSEEDED O. D. BELL
12"	3'-0"	0'-10"	0'-2"	6.319	20 1/4"
15"	3'-0"	0'-8 1/4"	0'-2 1/4"	6.626	24 1/8"
18"	3'-0"	0'-6 1/2"	0'-2 1/2"	6.925	28"
21"	3'-0 1/2"	0'-6"	0'-2 3/4"	7.266	31 7/8"
24"	3'-6"	0'-6"	0'-3"	11.233	35 3/4"
27"	3'-9 1/2"	0'-6"	0'-3 1/4"	12.655	
30"	4'-1 1/2"	0'-6"	0'-3 1/2"	14.120	
33"	4'-4 1/2"	0'-6"	0'-3 3/4"	15.722	
36"	4'-8"	0'-6"	0'-4"	17.358	
42"	5'-3"	0'-6"	0'-4 1/2"	20.726	
48"	5'-10"	0'-6"	0'-5"	24.463	
54"	6'-5"	0'-6"	0'-5 1/2"	28.404	
60"	7'-0"	0'-6"	0'-6"	32.607	
66"	7'-7"	0'-6"	0'-6 1/2"	37.074	
72"	8'-2"	0'-6"	0'-7"	41.886	
78"	8'-9"	0'-6"	0'-7 1/2"	46.881	
84"	9'-4"	0'-6"	0'-8"	52.149	
90"	9'-11"	0'-6"	0'-8 1/2"	57.769	
96"	10'-6"	0'-6"	0'-9"	63.552	

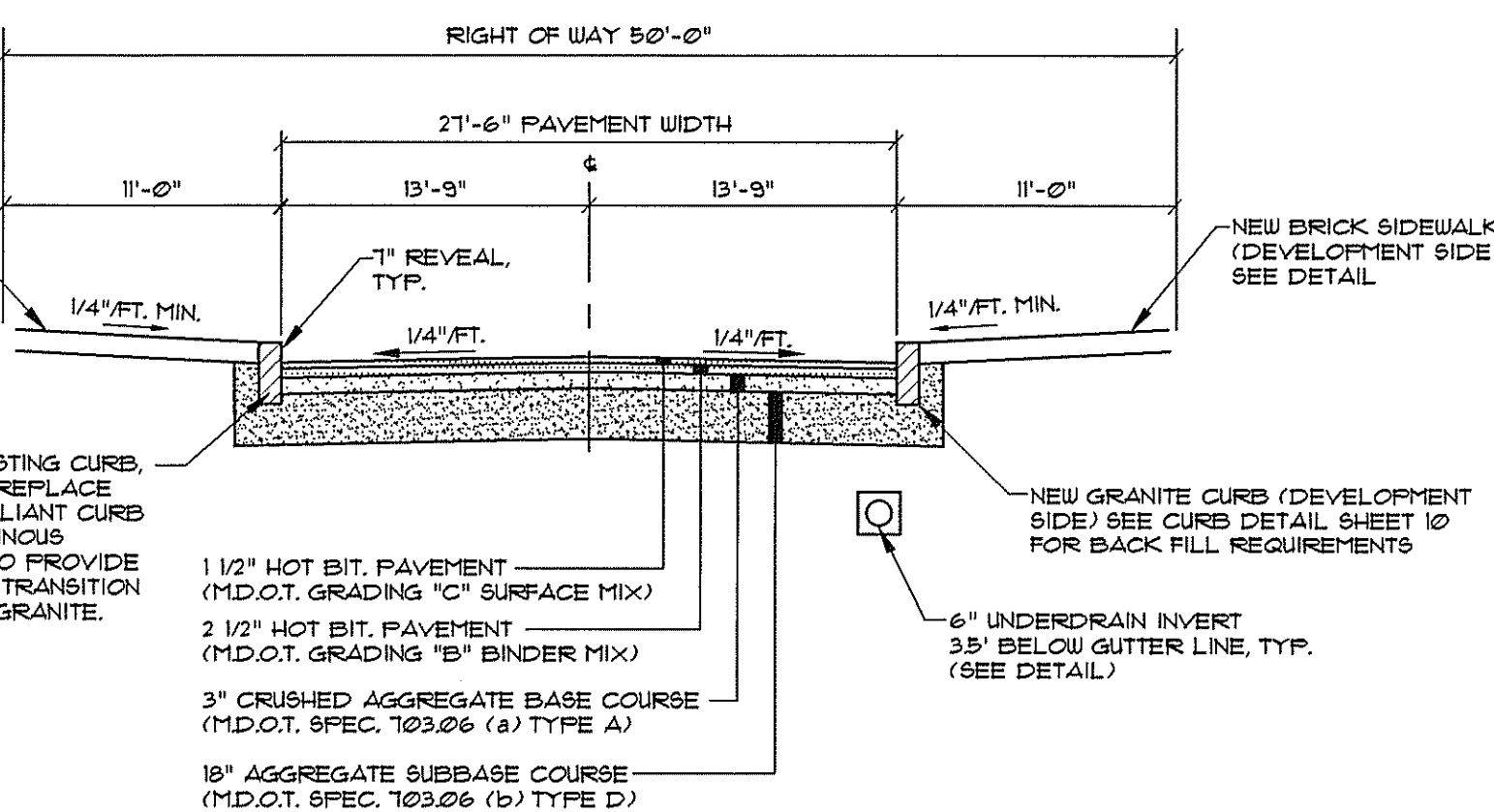
27 in. THROUGH 96 in. INCLUSIVE - TONGUE & GROOVE JOINTS



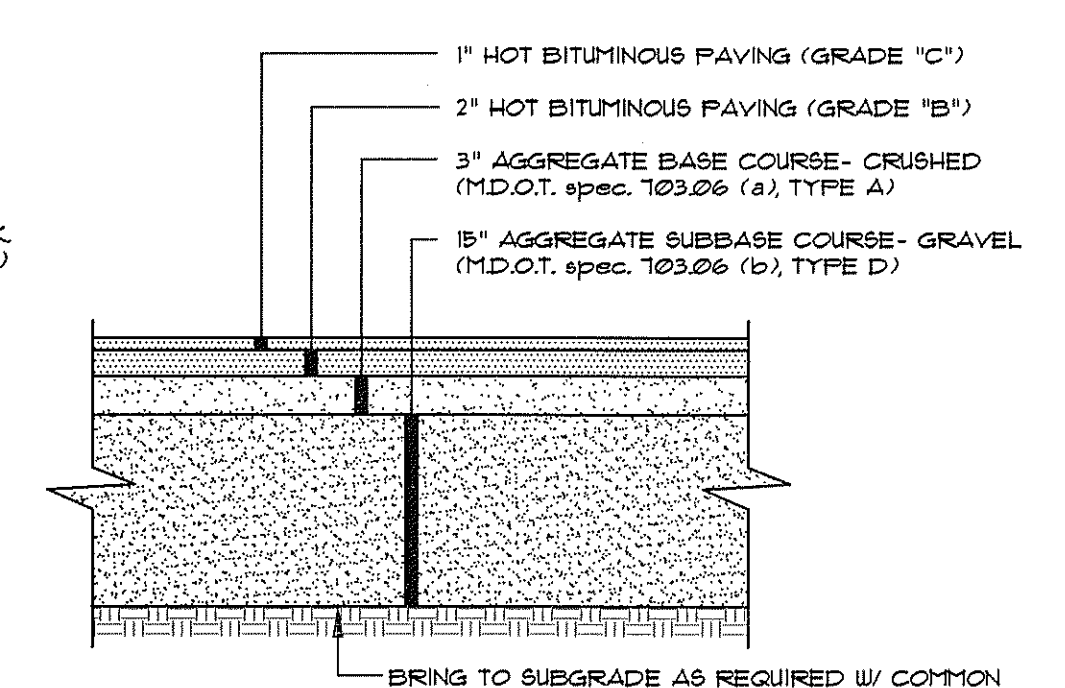
**7 TYP. PERFORATED FOUNDATION DRAIN TRENCH SECTION**  
NOT TO SCALE



**8 GRANITE STREET MONUMENT**  
NOT TO SCALE



**9 TYP. PAVED PARKING LOT SECTION**  
NOT TO SCALE



PROJECT NO.	FIELD BOOK	DESIGN	CHKD	DRAWN	SAB
05109					

REV. BY: DATE: STATUS: SUBMITTED FOR CONSTRUCTION BIDS

7/17/08 CD 7/17/08/07

7/17/08 CD 7/17/08/07

7/17/08 CD 7/17/08/07

7/17/08 CD 7/17/08/07

**Sebago Technics**  
Engineering Expertise You Can Build On  
One Chestnut Street  
Westbrook, Me 04098-1339  
Tel (207) 855-0277

**DETAILS**  
OF:  
**THE BAY HOUSE**  
112 NEWBURY ST., 113 NEWBURY ST., 40 HANCOCK ST.  
PORTLAND, MAINE  
FOR:  
**THE VILLAGE AT OCEAN GATE, LLC**  
133 PEARL STREET, SUITE 400  
BOSTON, MA 02110