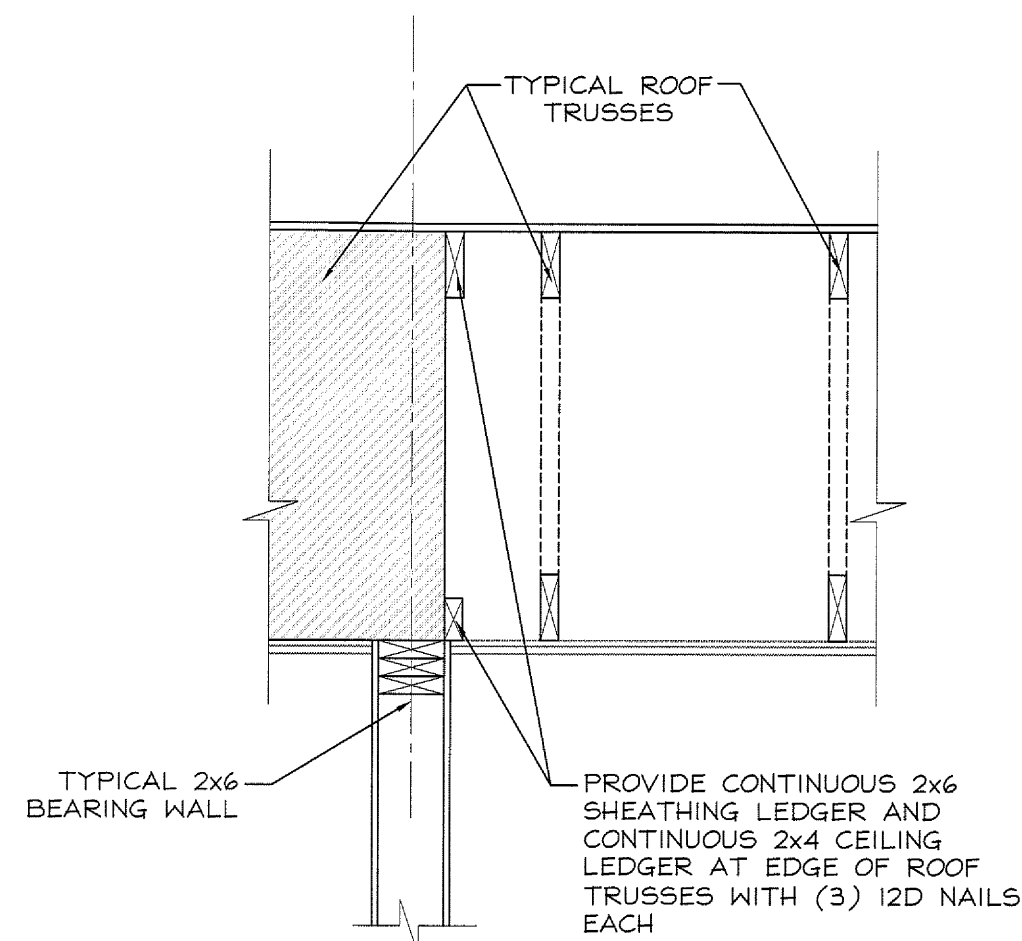
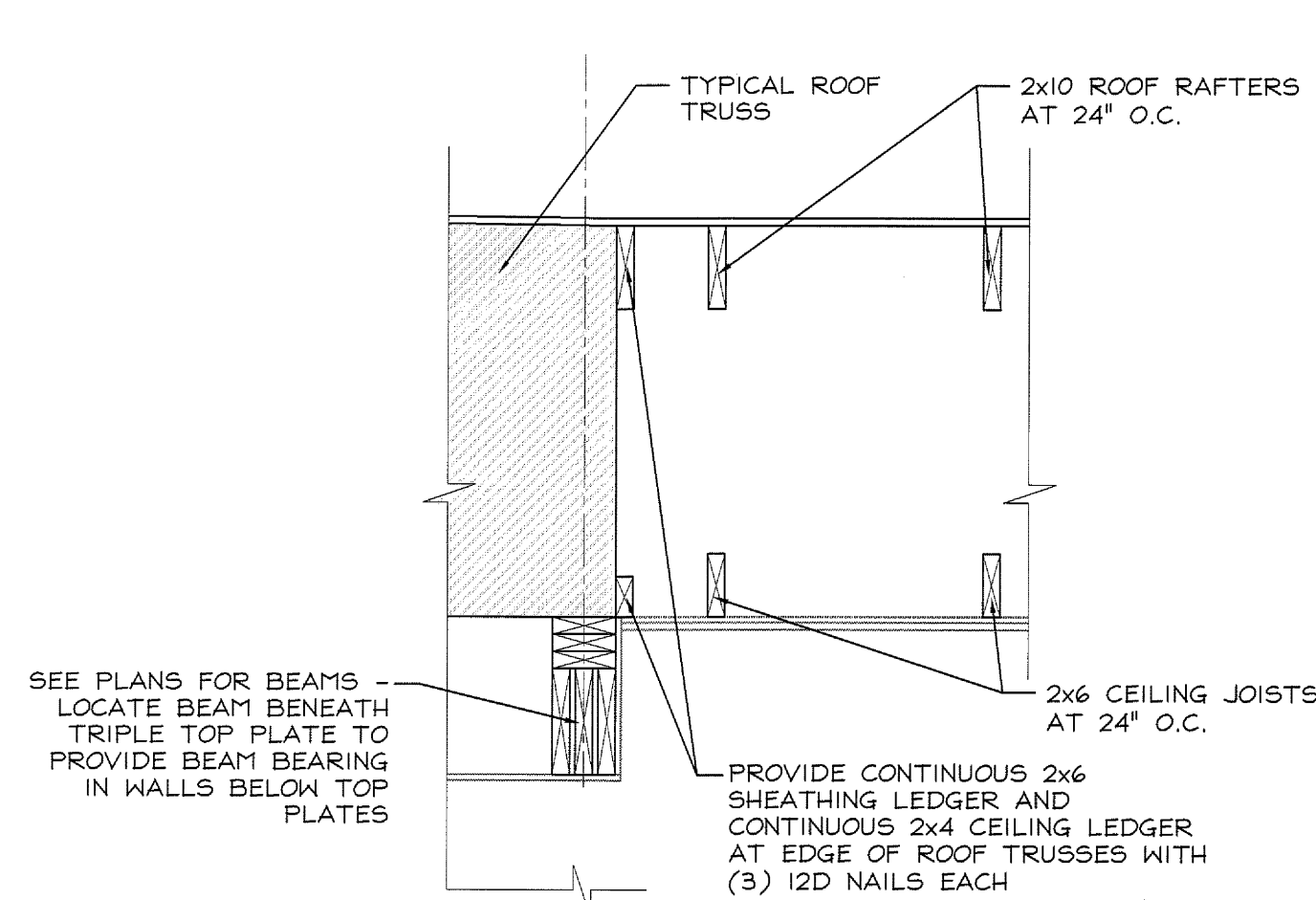


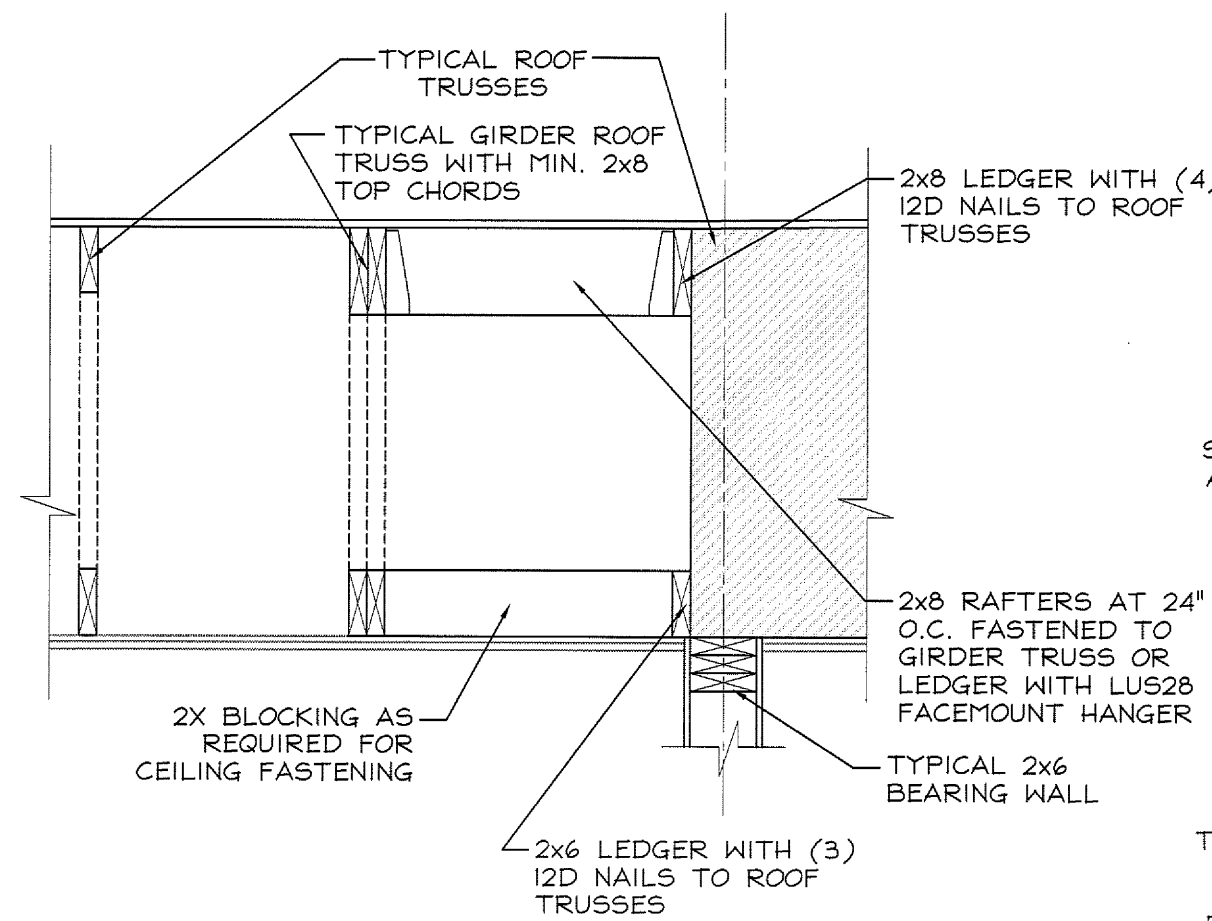
1 TYPICAL ROOF TRUSS PROFILES
 Scale: 1/4" = 1' 0"



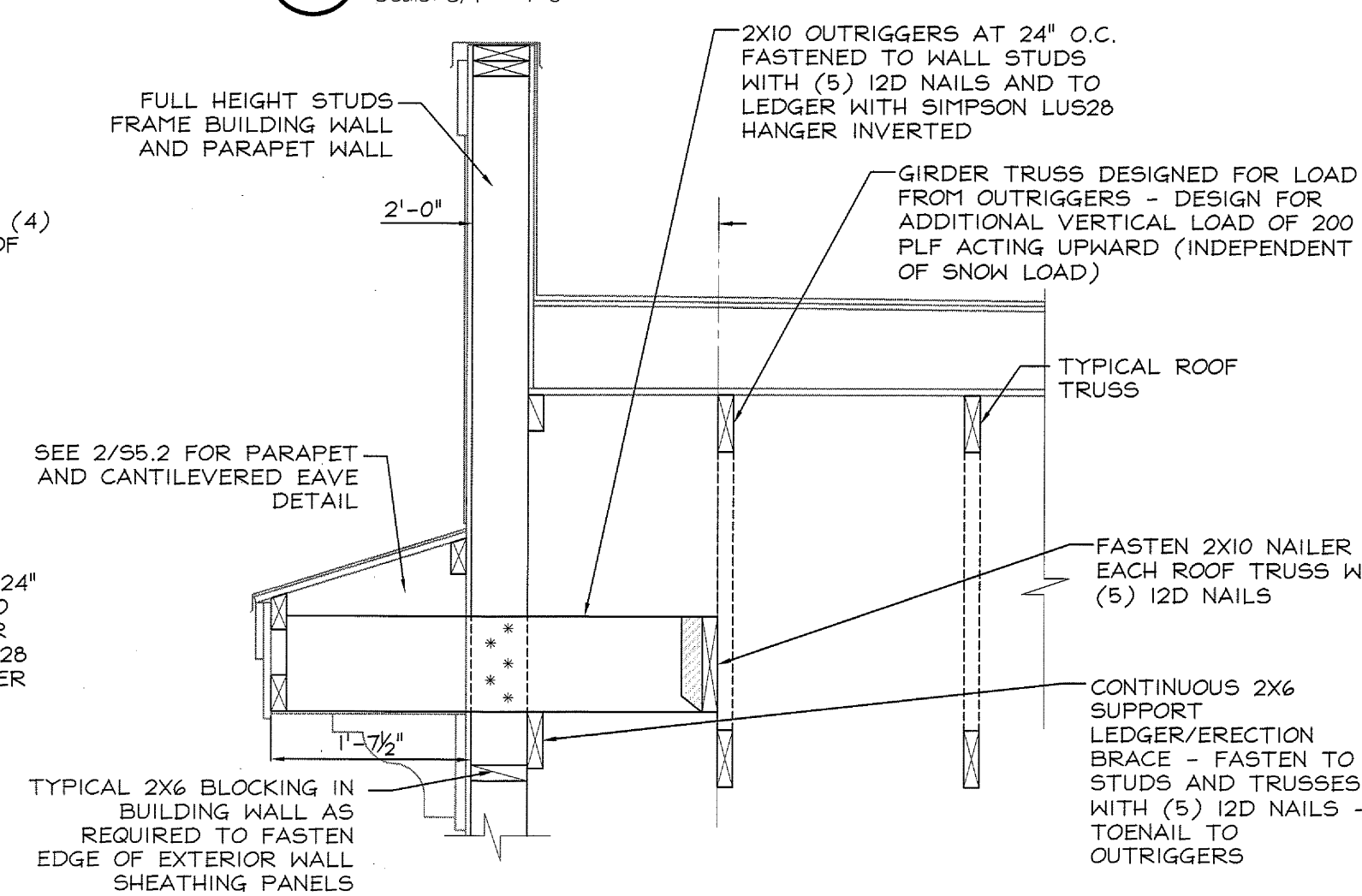
4 ROOF FRAMING AT TRUSS DIRECTION CHANGE
 Scale: 3/4" = 1' 0"



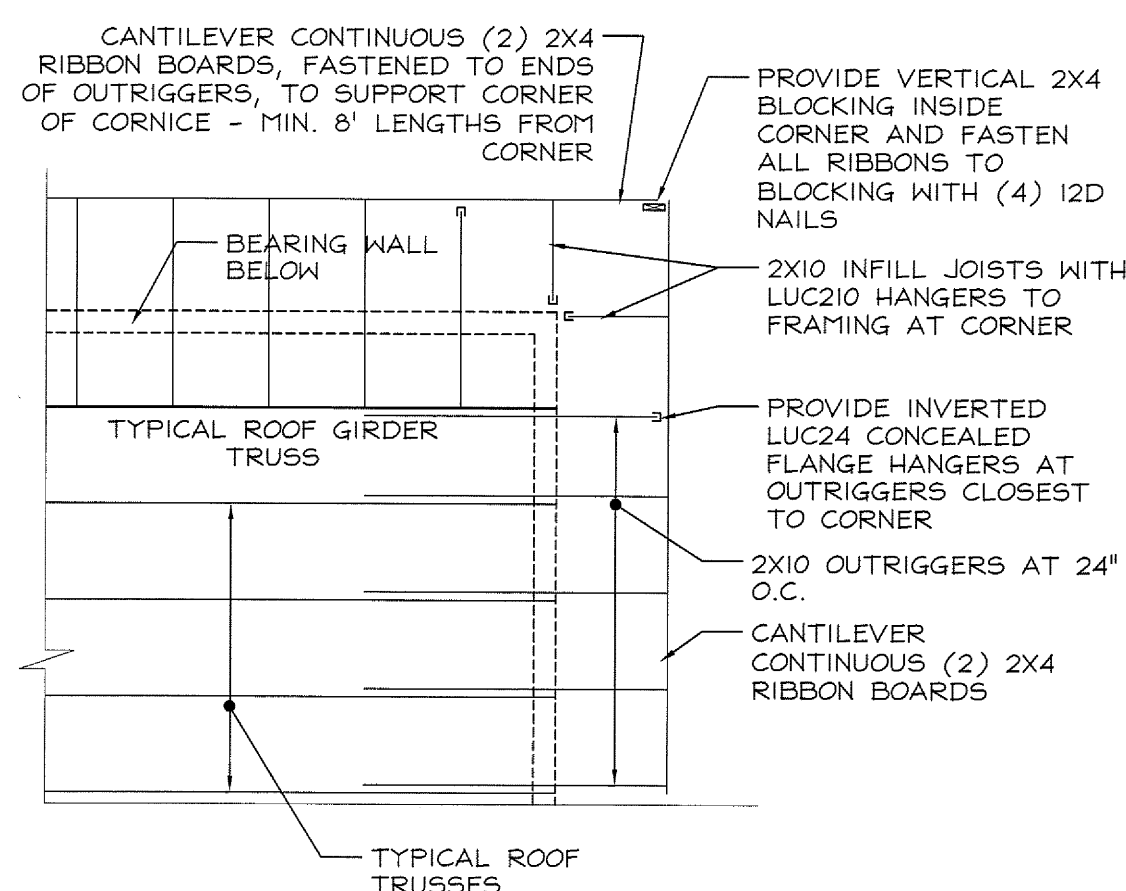
5 ROOF FRAMING AT CORRIDOR ENDS
 Scale: 3/4" = 1' 0"



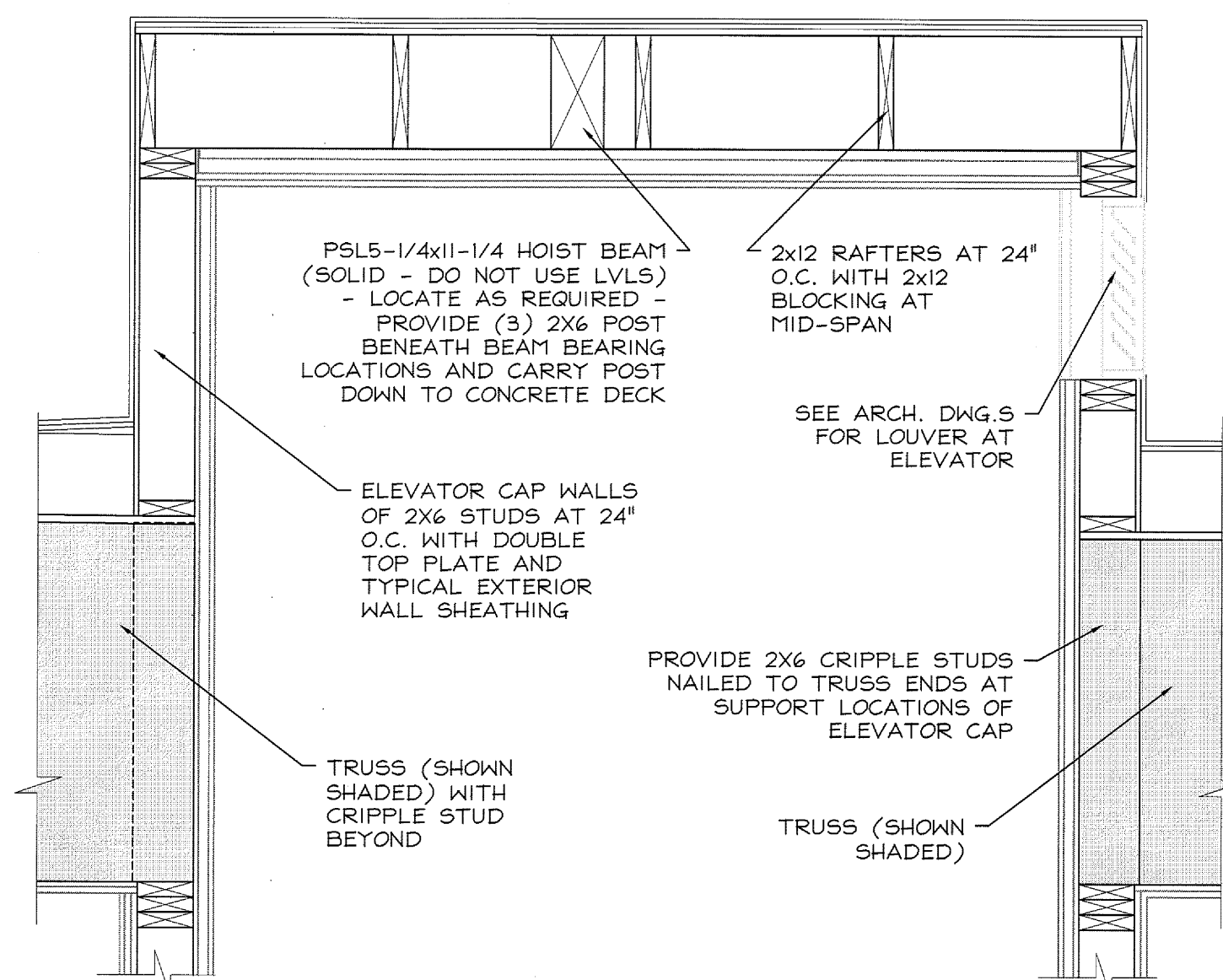
8 INFILL JOIST FRAMING AT SKEWED TRANSITION
 Scale: 3/4" = 1' 0"



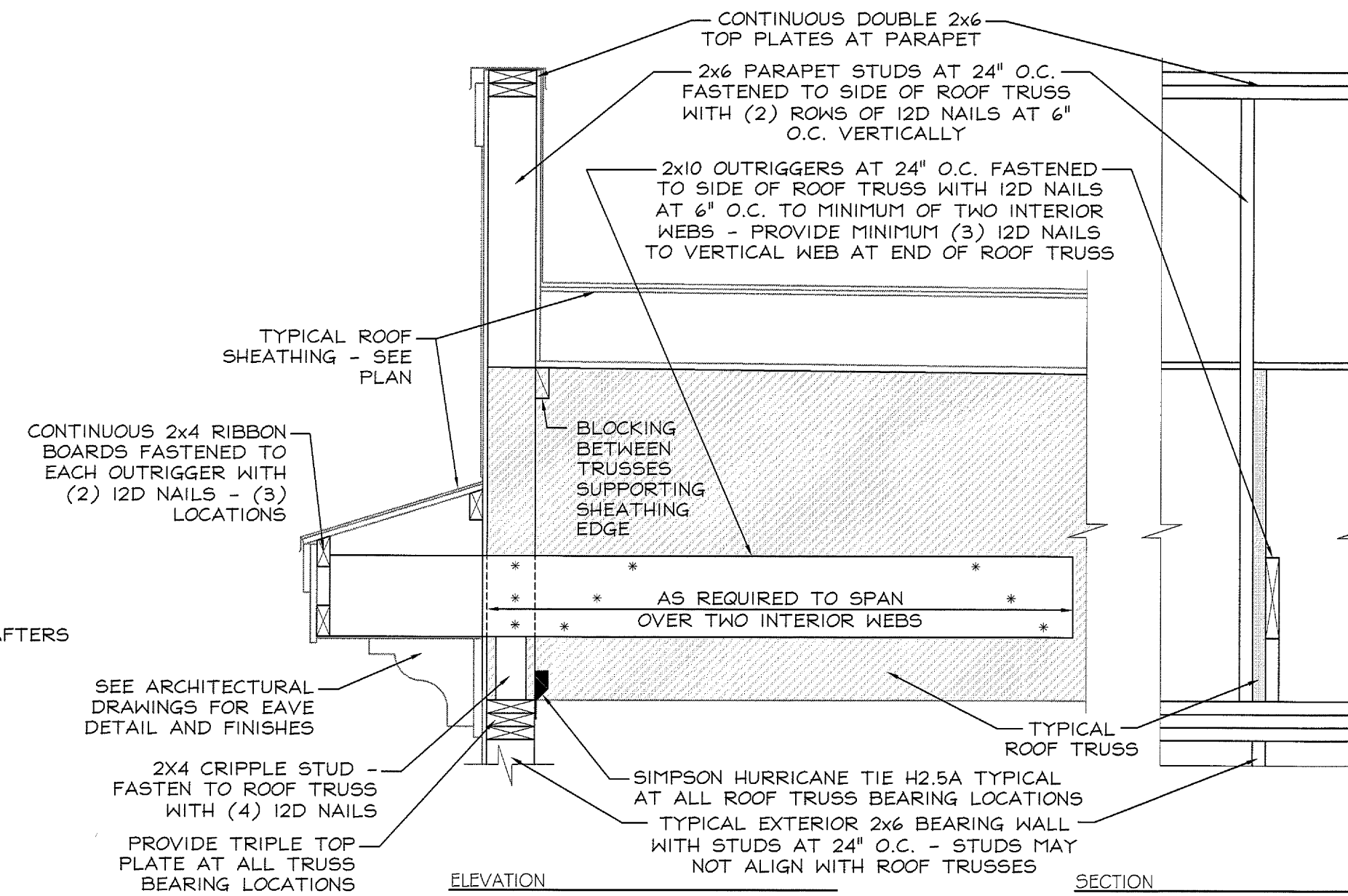
9 TRUSS BEARING AT GIRDER ROOF TRUSS
 Scale: 3/4" = 1' 0"



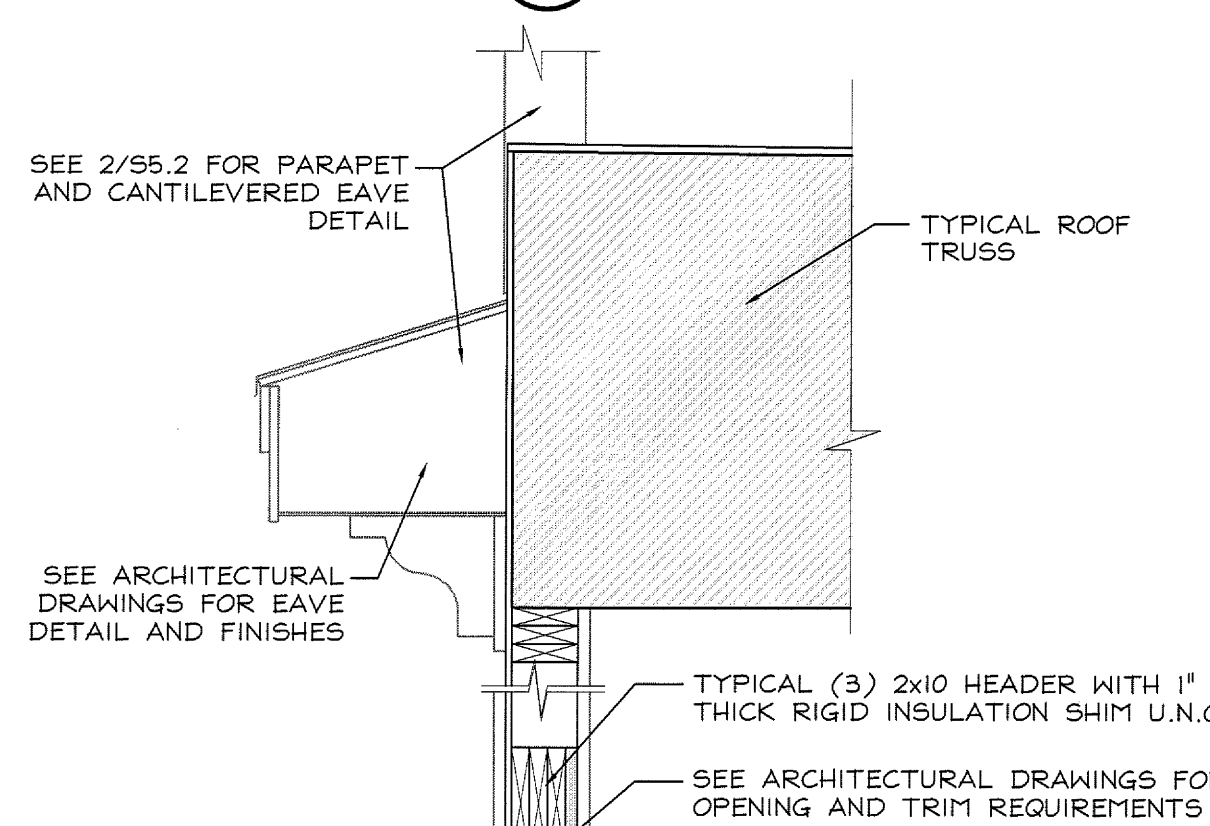
12 FRAMING AT CORNERS OF ROOF
 Scale: 1/4" = 1' 0"



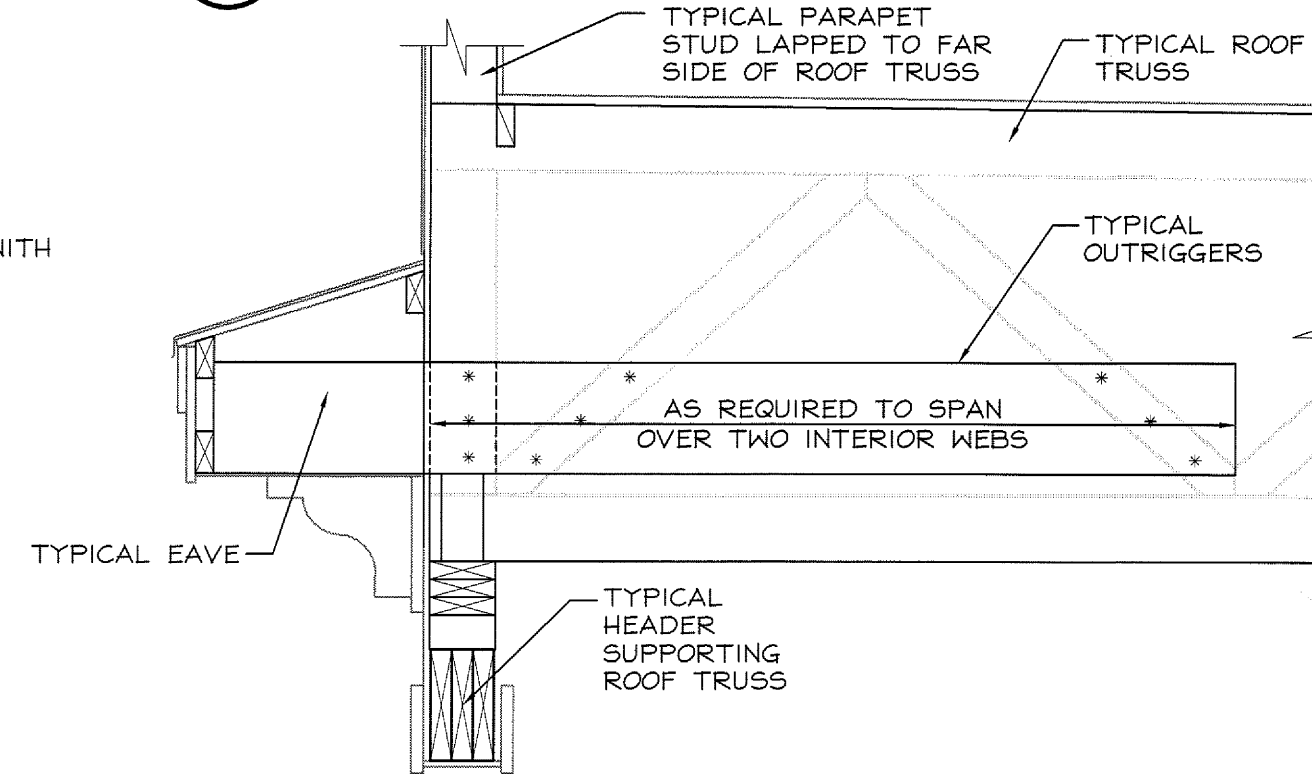
13 ELEVATOR CAP
 Scale: 3/4" = 1' 0"



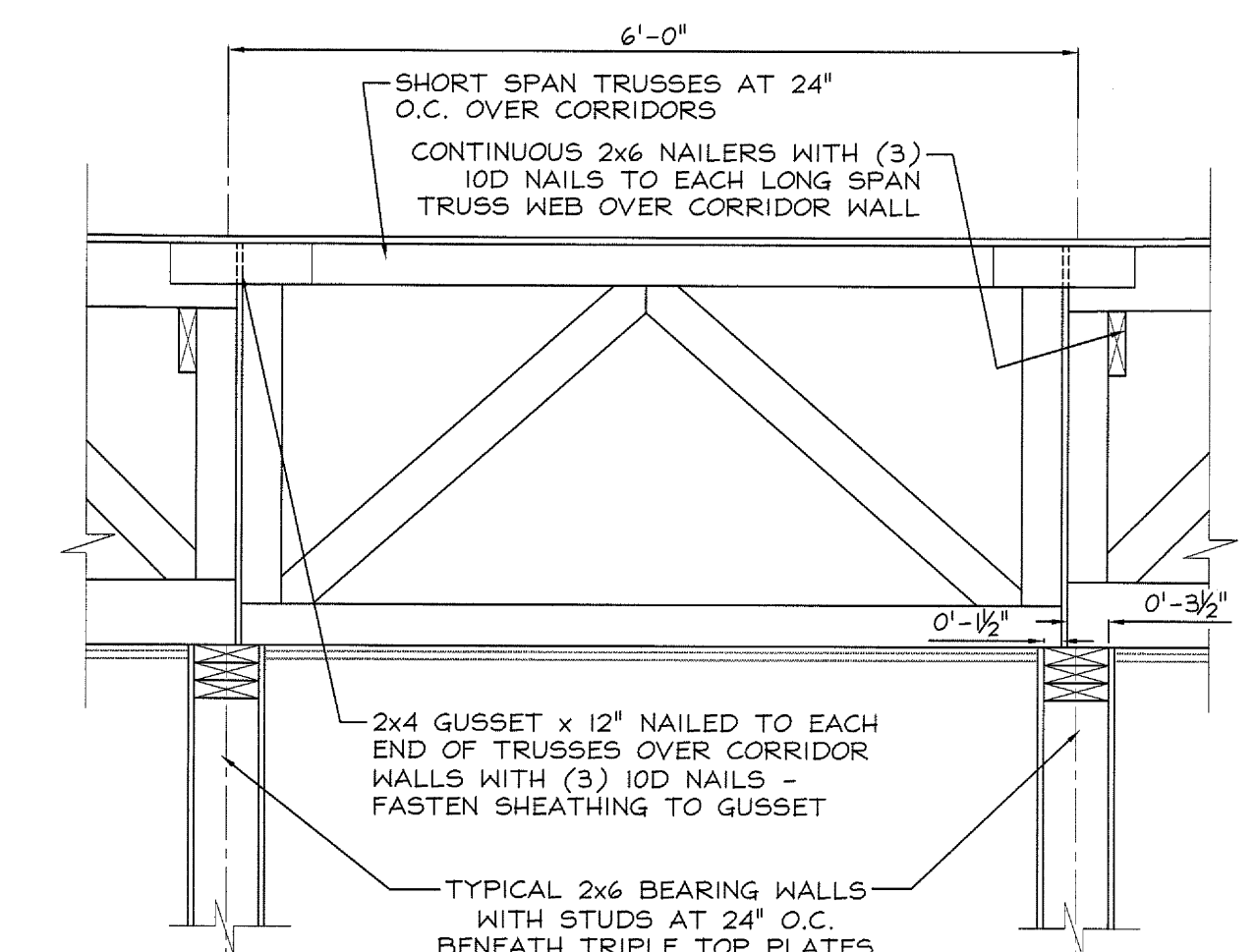
2 TYPICAL ROOF FRAMING TRUSS BEARING
 Scale: 3/4" = 1' 0"



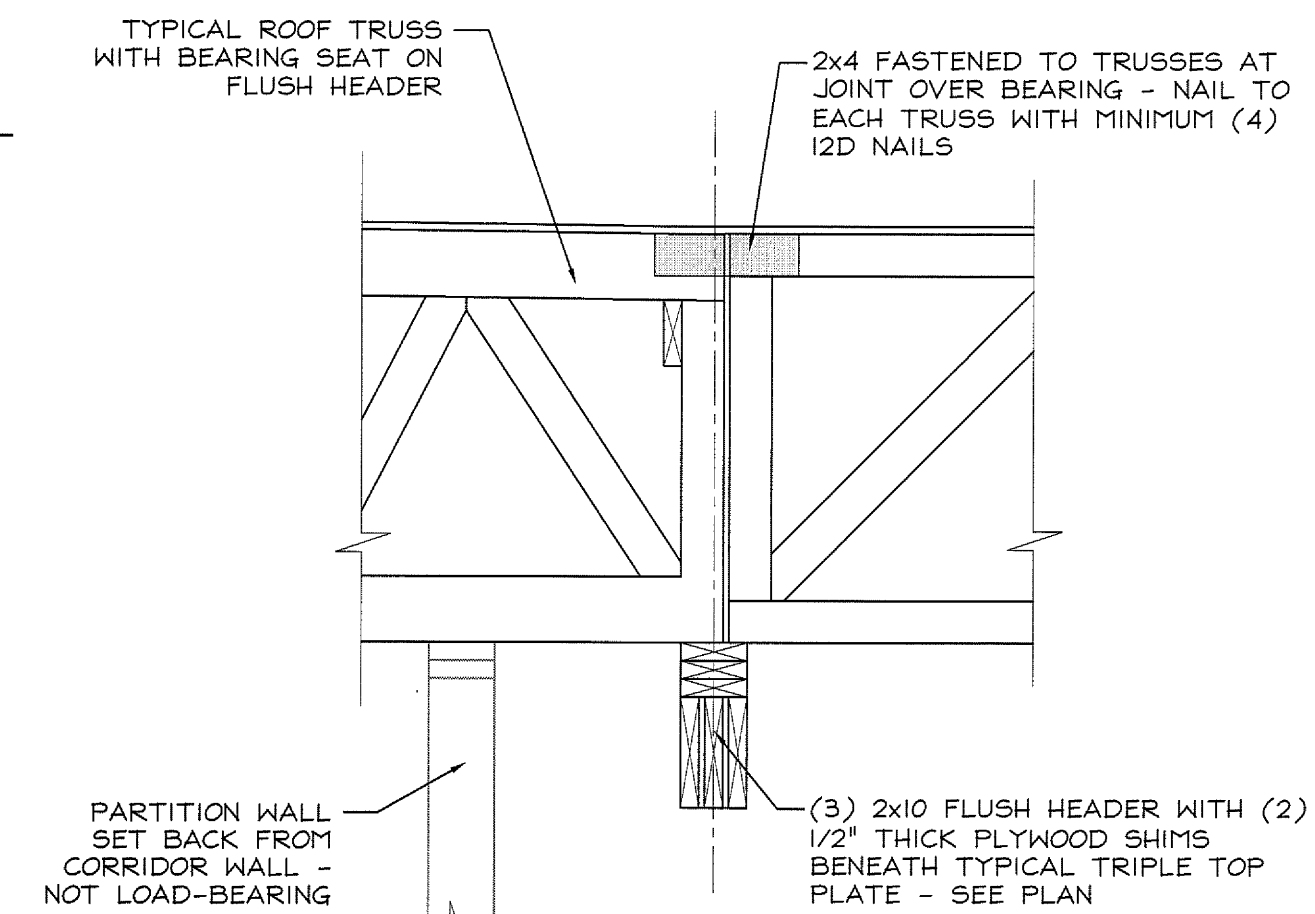
6 ROOF BEARING AT EXTERIOR WALL HEADER
 Scale: 3/4" = 1' 0"



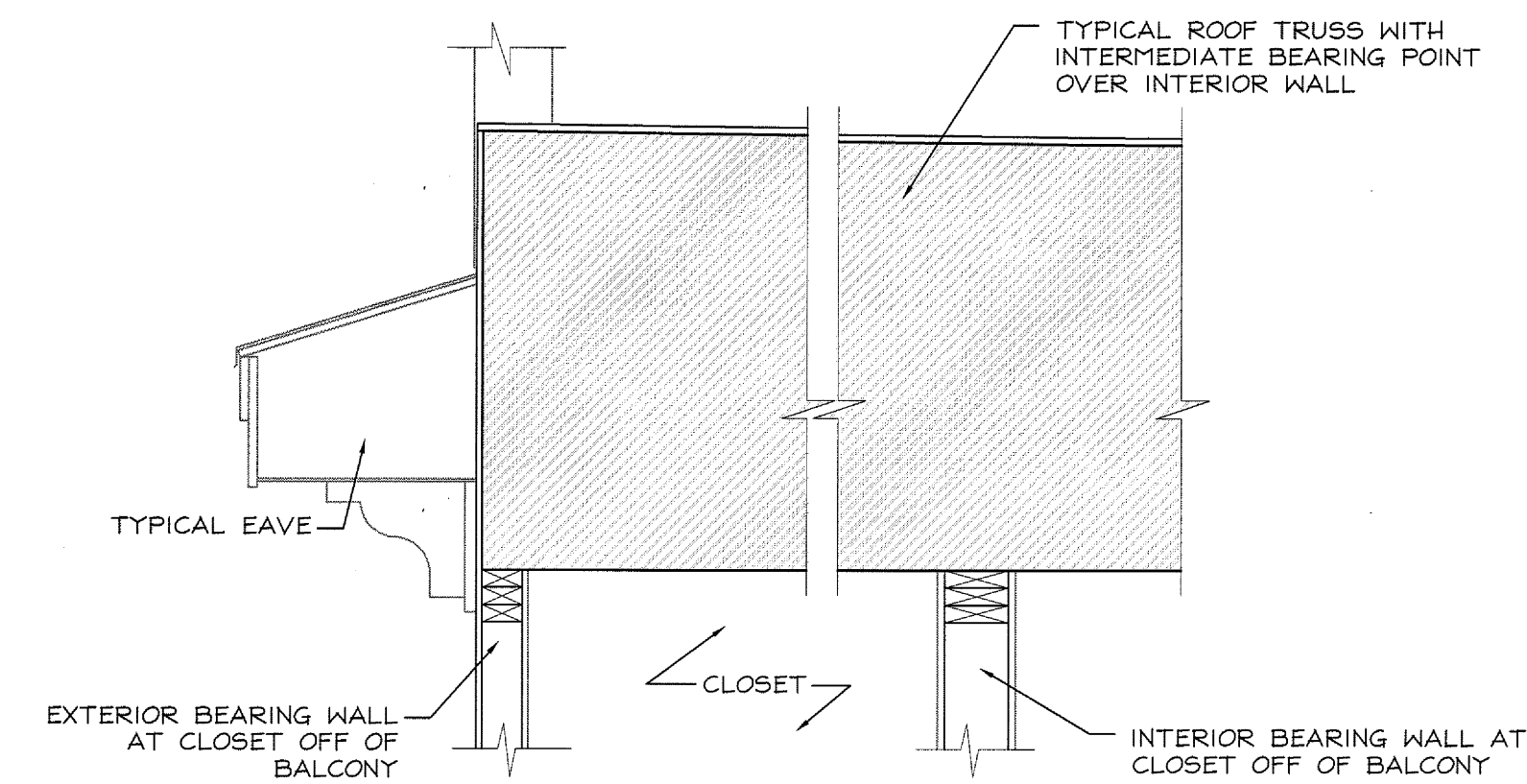
10 ROOF ABOVE BALCONY
 Scale: 3/4" = 1' 0"



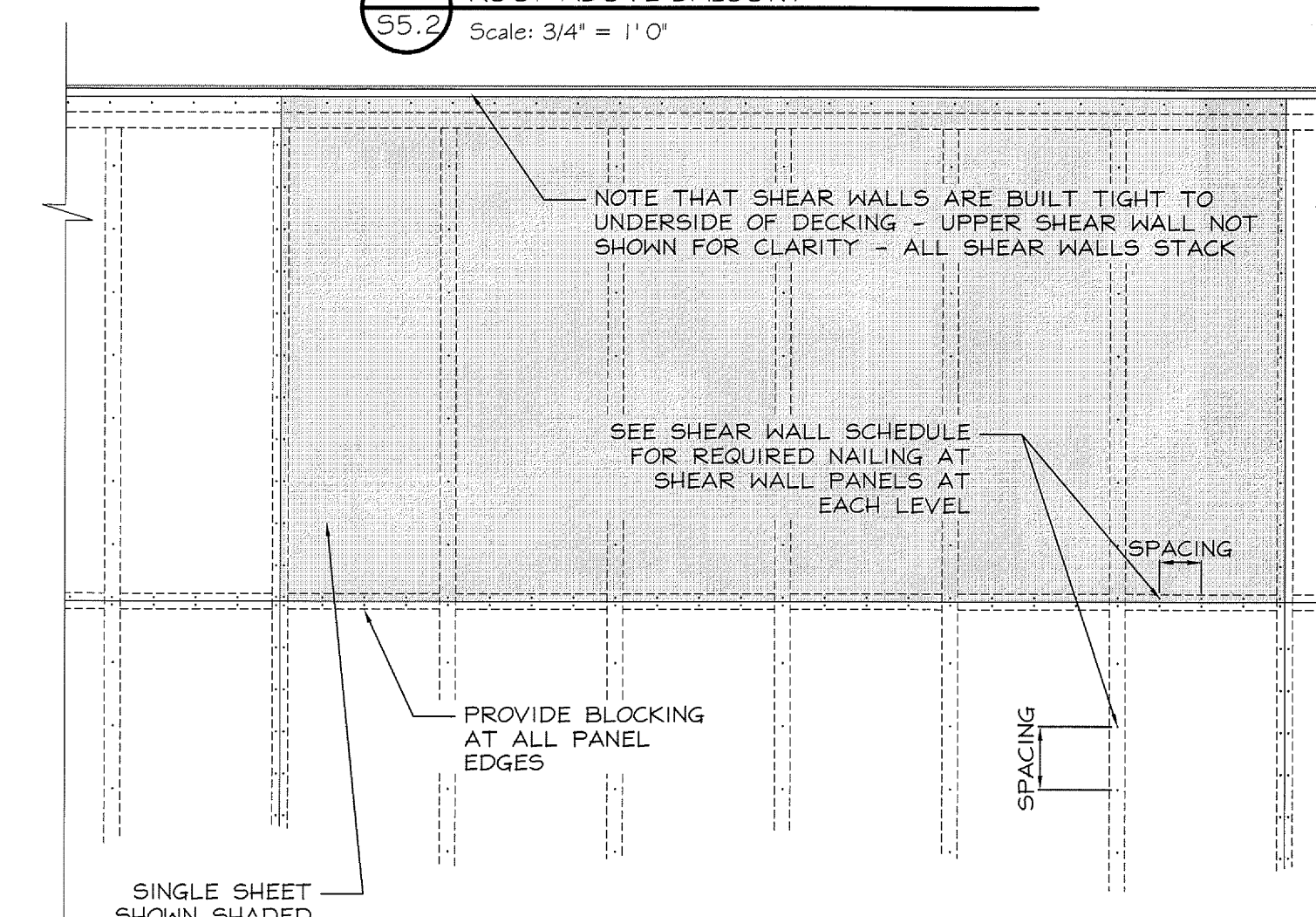
3 TYPICAL ROOF FRAMING AT CORRIDOR
 Scale: 3/4" = 1' 0"



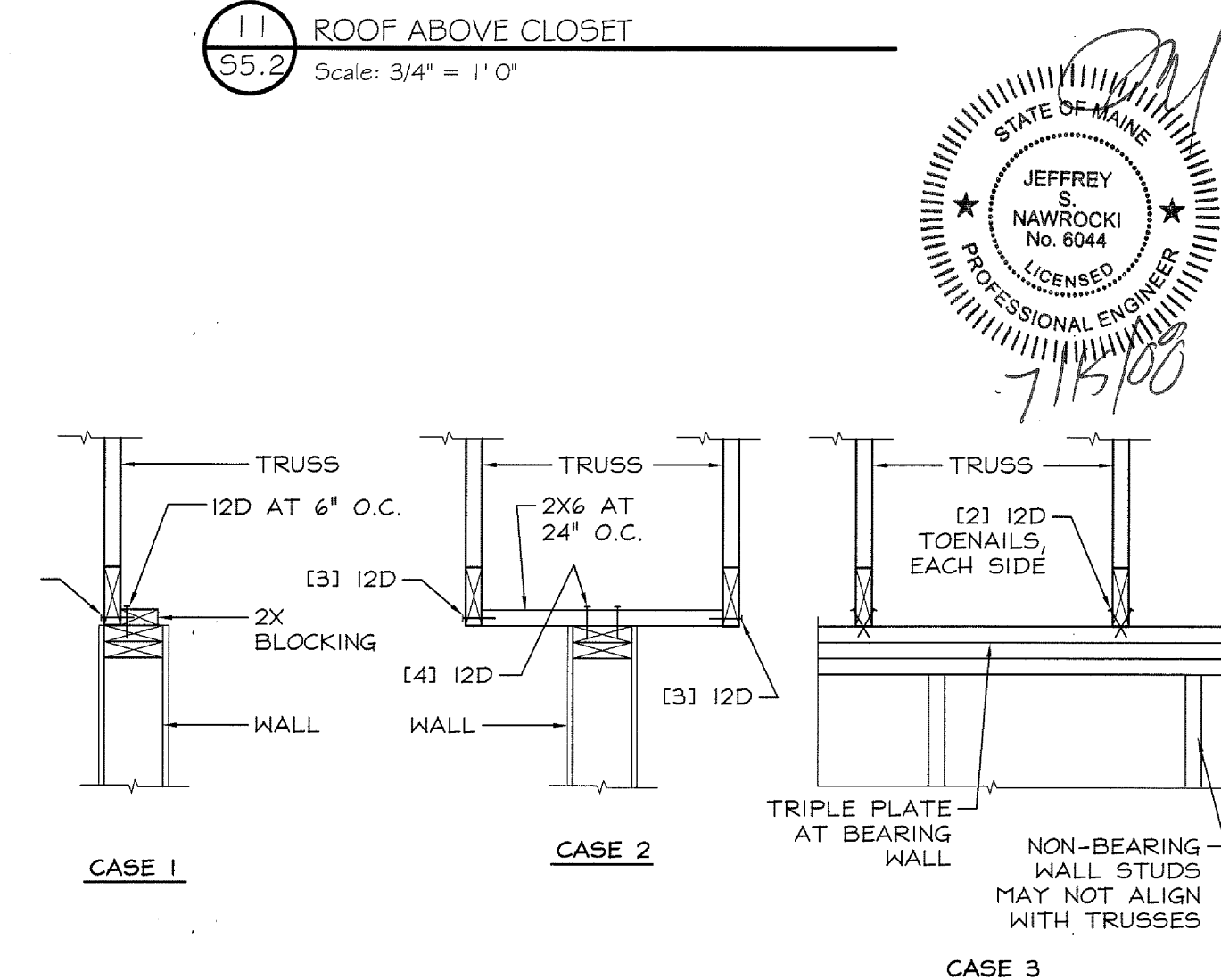
7 FLUSH HEADER AT CORRIDOR ROOF
 Scale: 3/4" = 1' 0"



11 ROOF ABOVE CLOSET
 Scale: 3/4" = 1' 0"



14 SHEAR WALL NAILING ELEVATION
 Scale: 3/4" = 1' 0"



15 SHEAR WALL FRAMING AT ROOF
 Scale: 3/4" = 1' 0"

