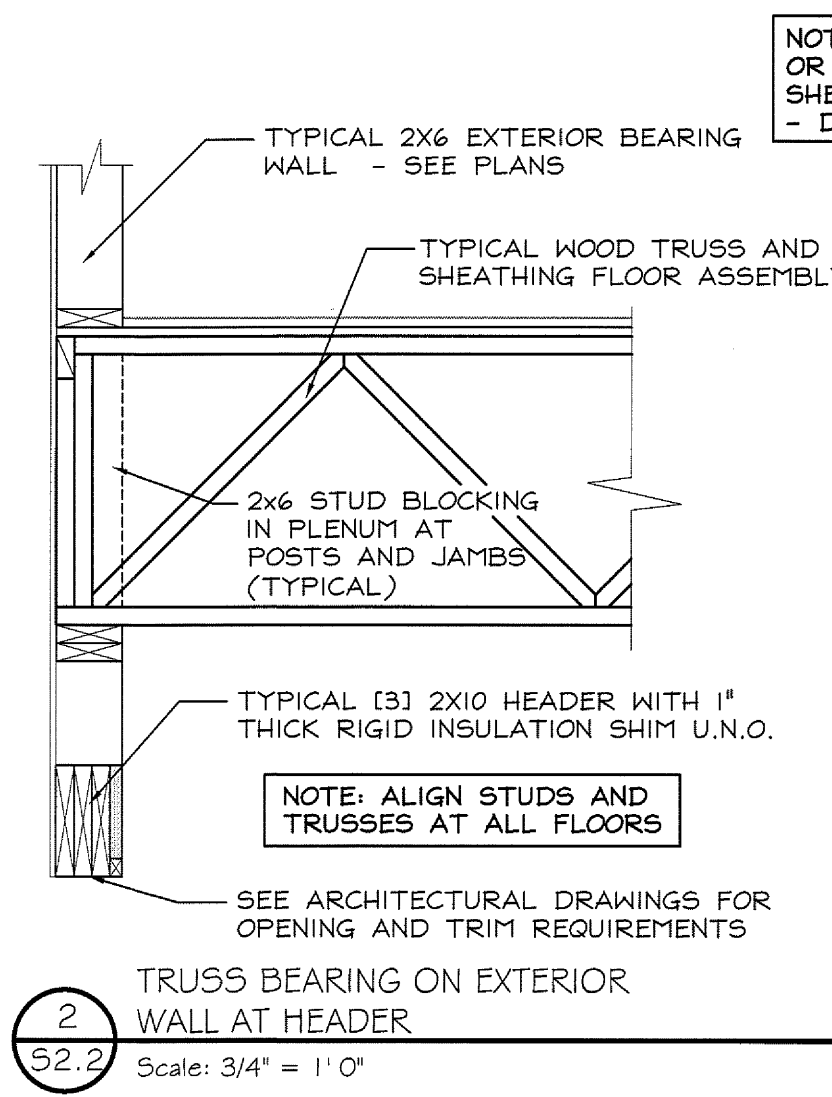
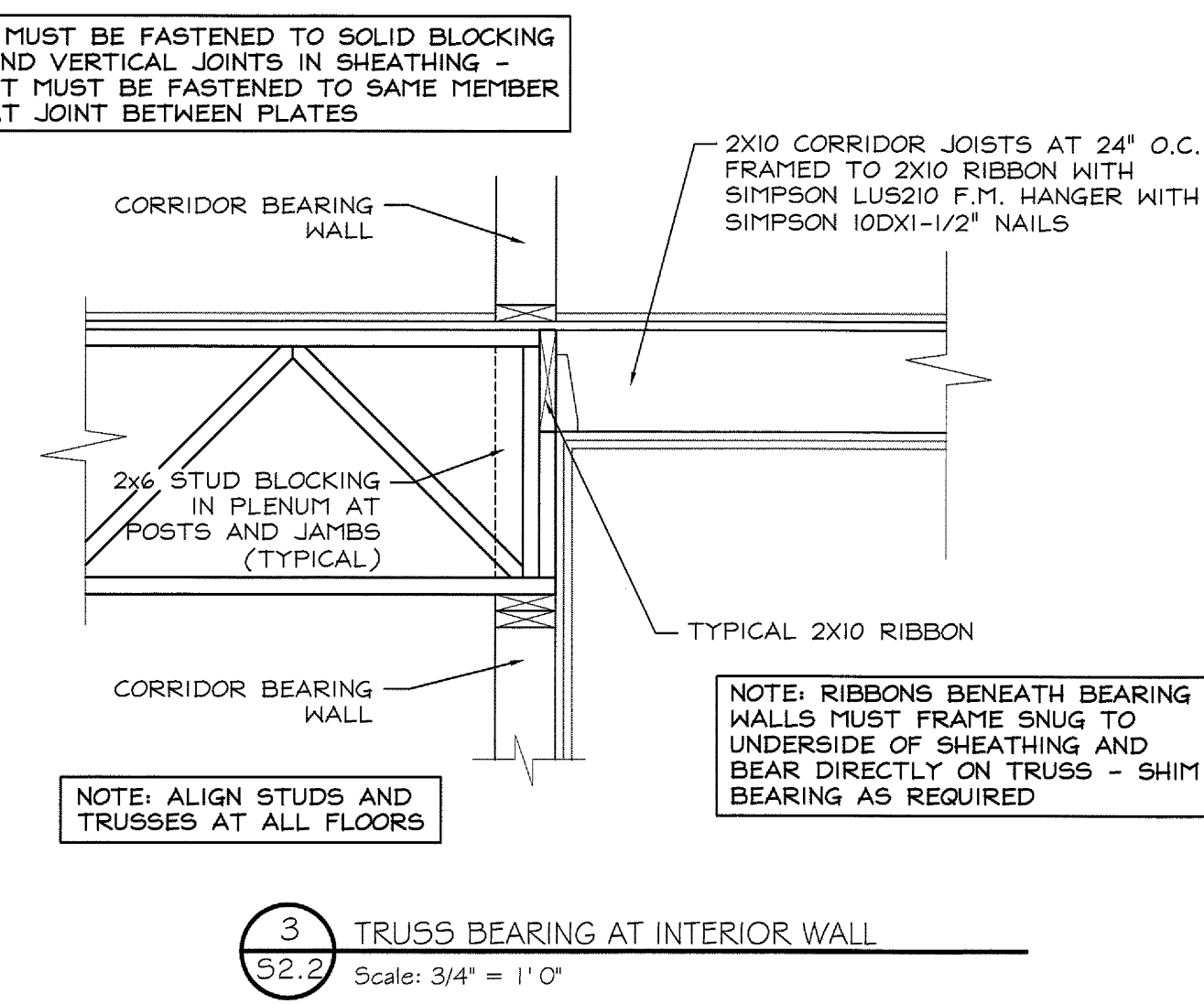


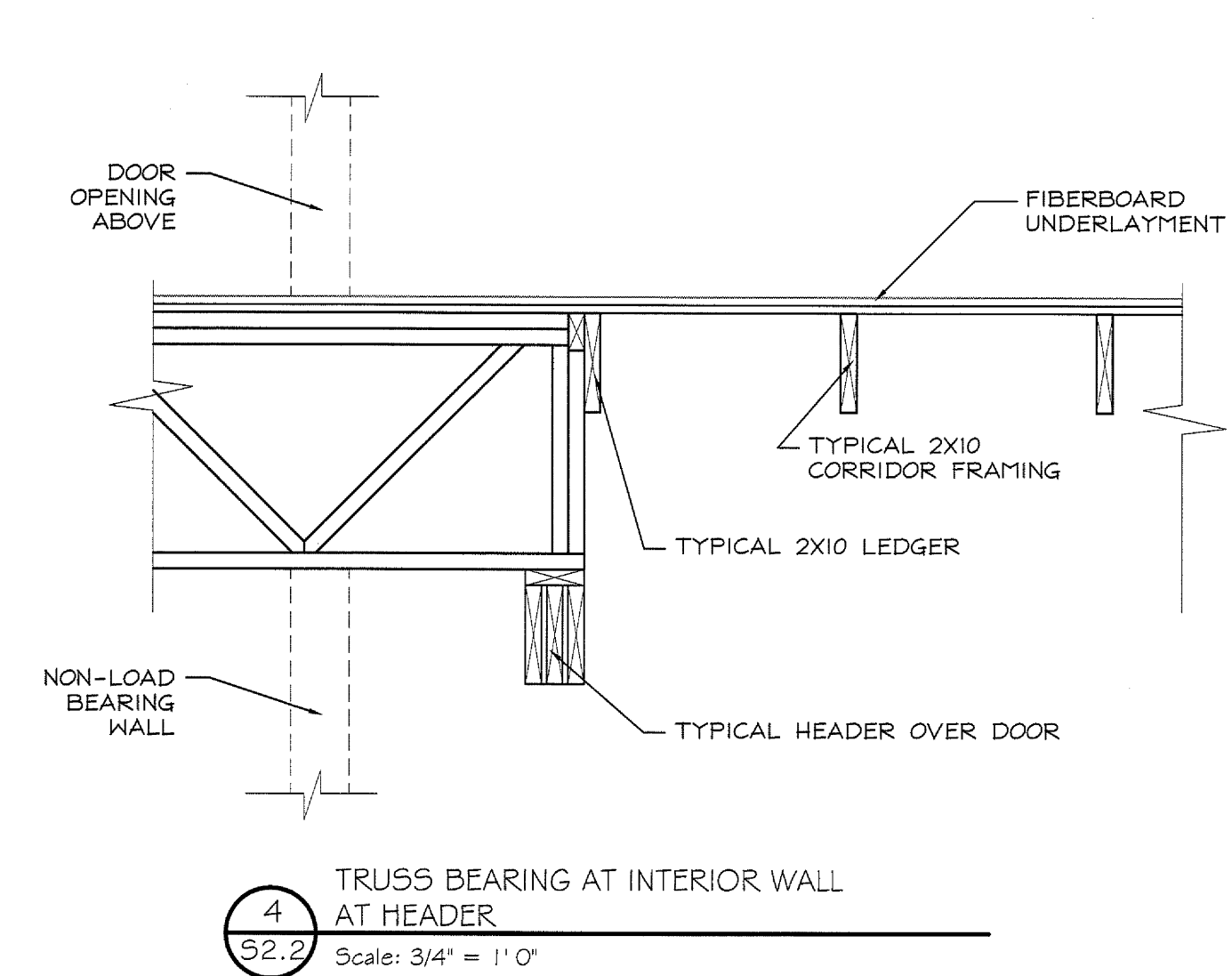
1 TRUSS BEARING AT EXTERIOR WALL  
Scale: 3/4" = 1' 0"



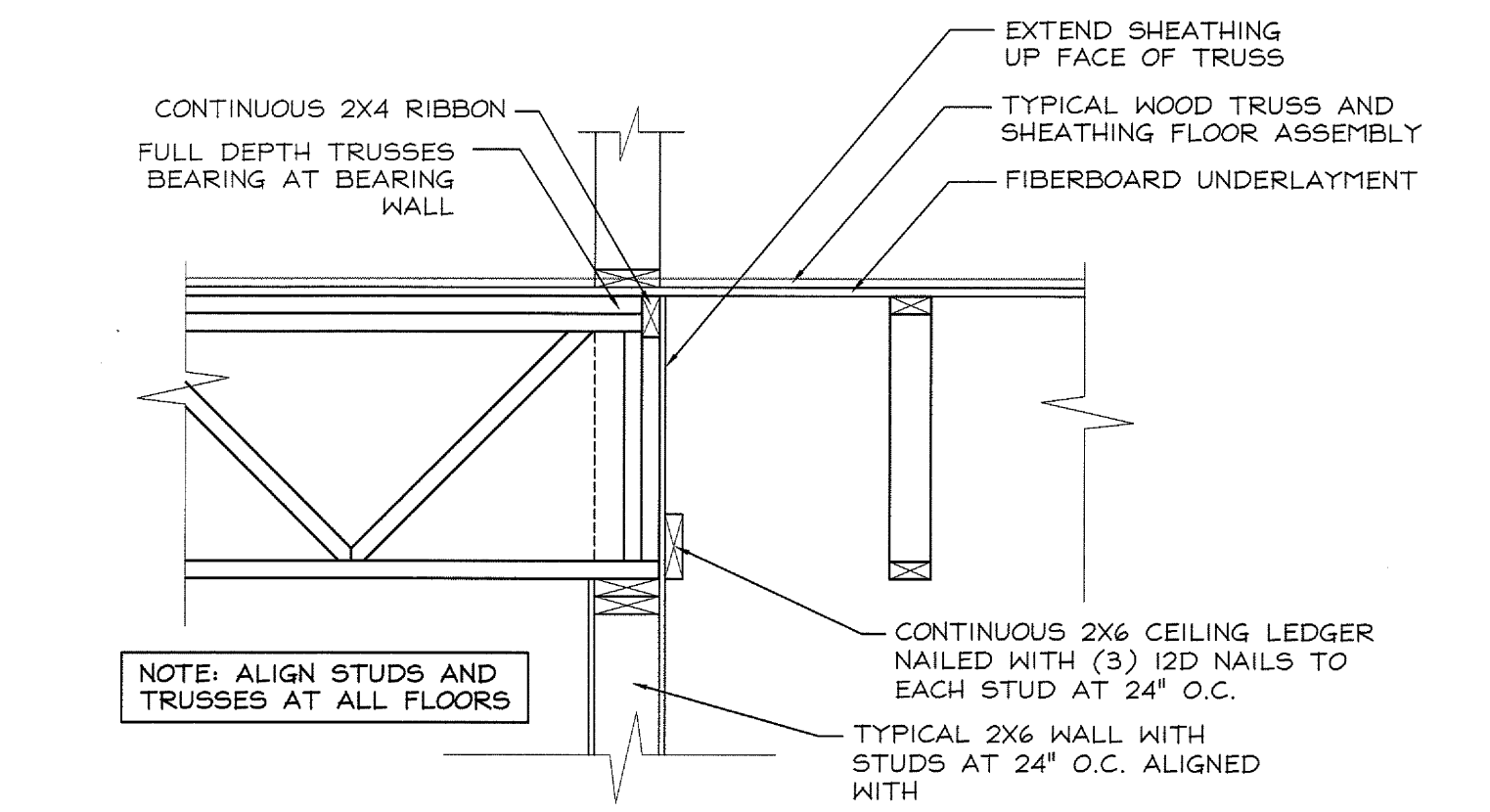
2 TRUSS BEARING ON EXTERIOR WALL AT HEADER  
Scale: 3/4" = 1' 0"



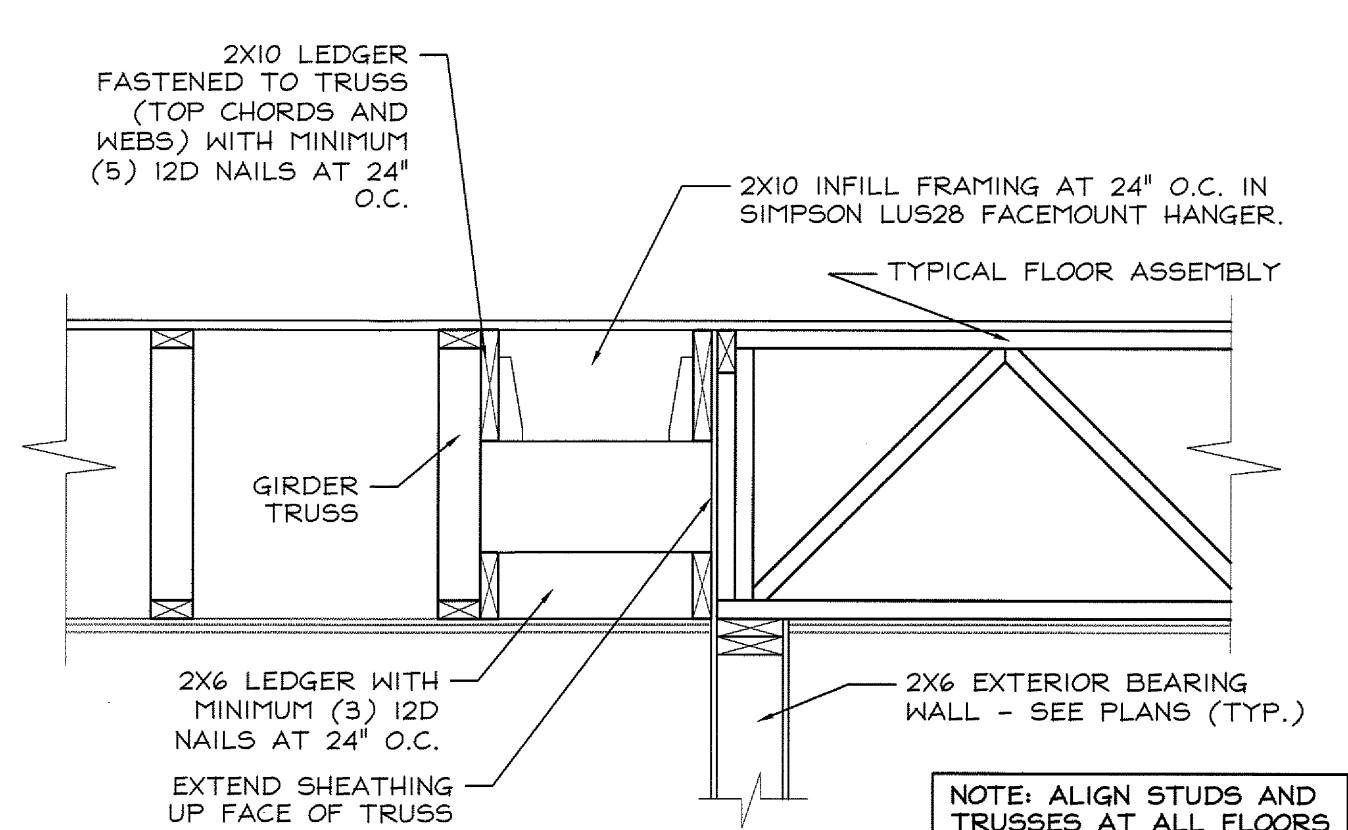
3 TRUSS BEARING AT INTERIOR WALL  
Scale: 3/4" = 1' 0"



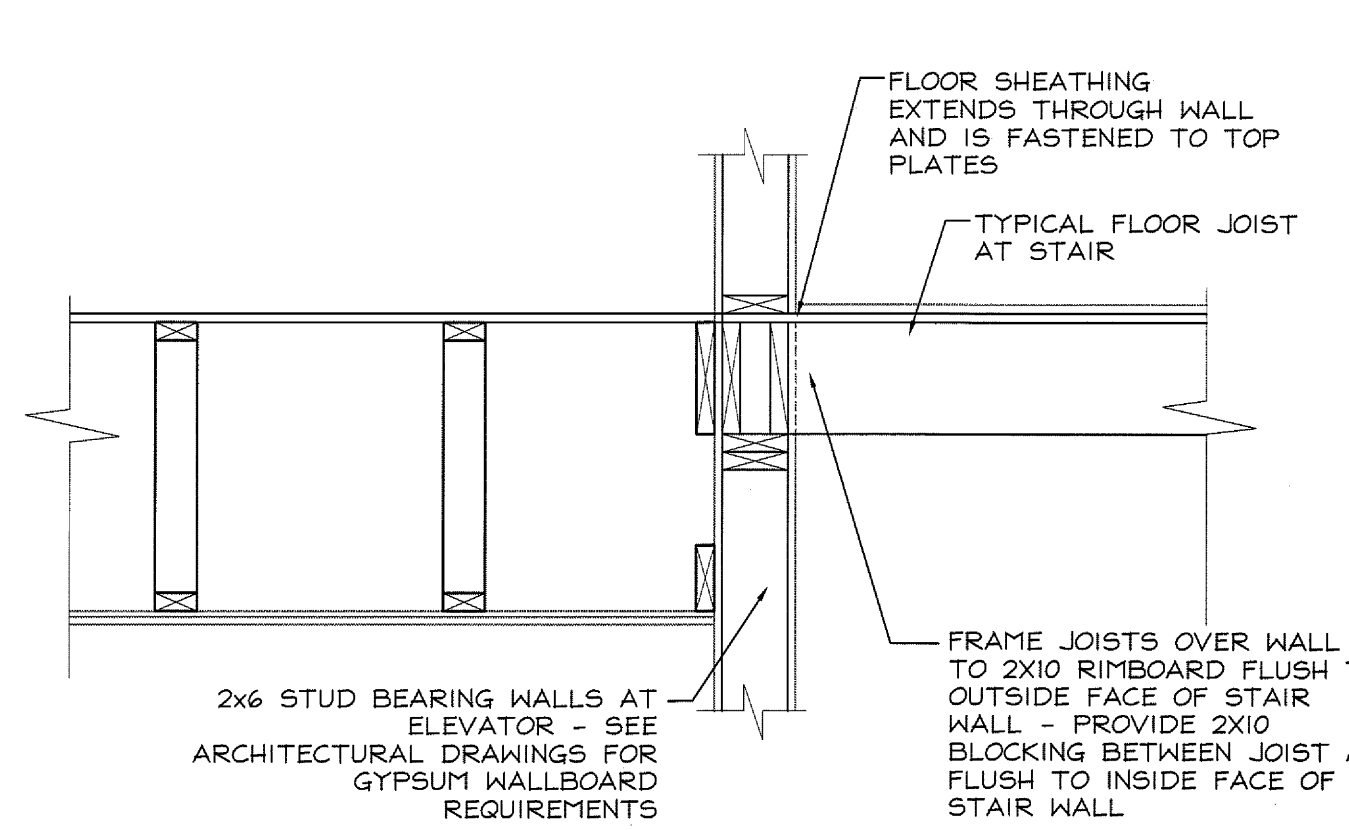
4 TRUSS BEARING AT INTERIOR WALL AT HEADER  
Scale: 3/4" = 1' 0"



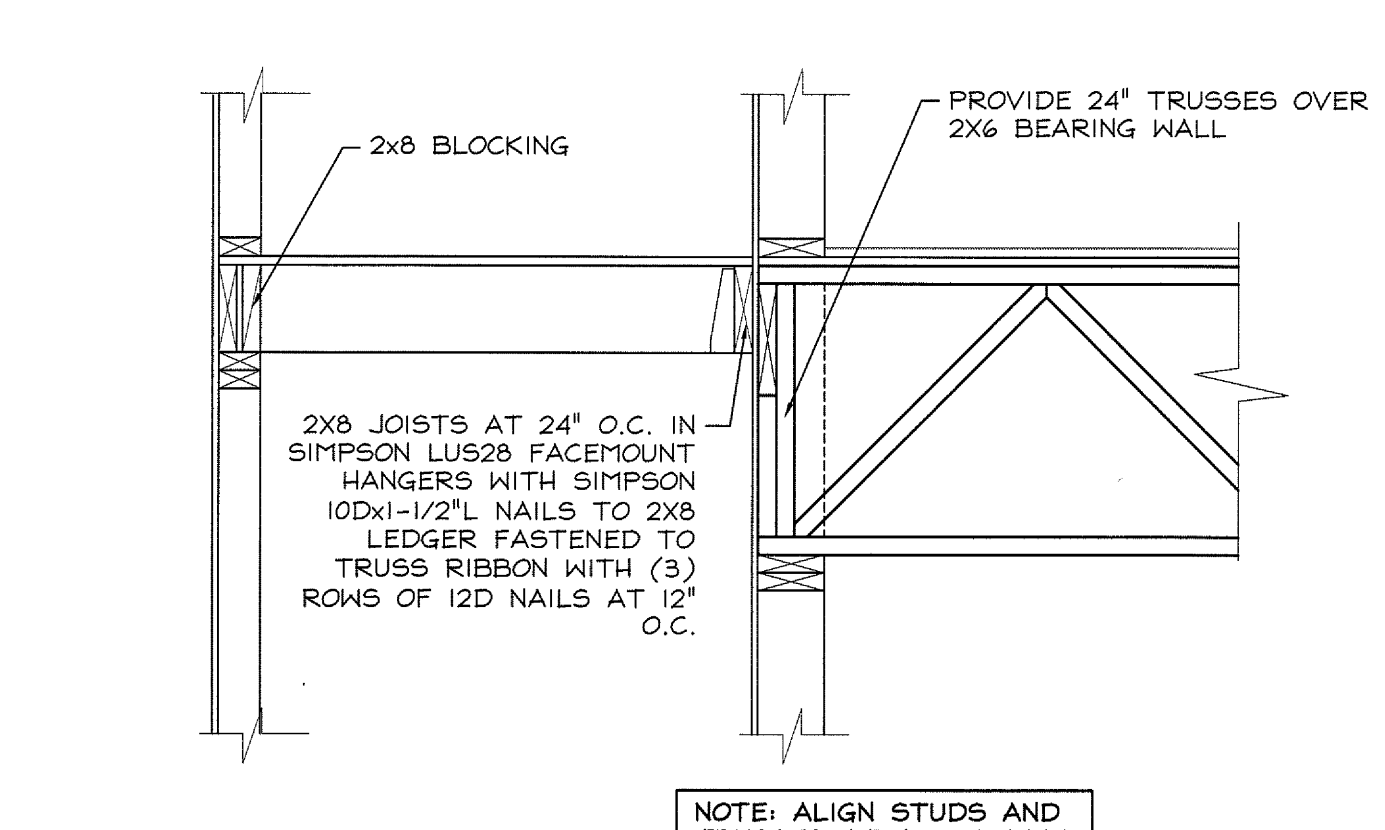
5 FLOOR TRUSS BEARING AT CHANGE IN FRAMING DIRECTION  
Scale: 3/4" = 1' 0"



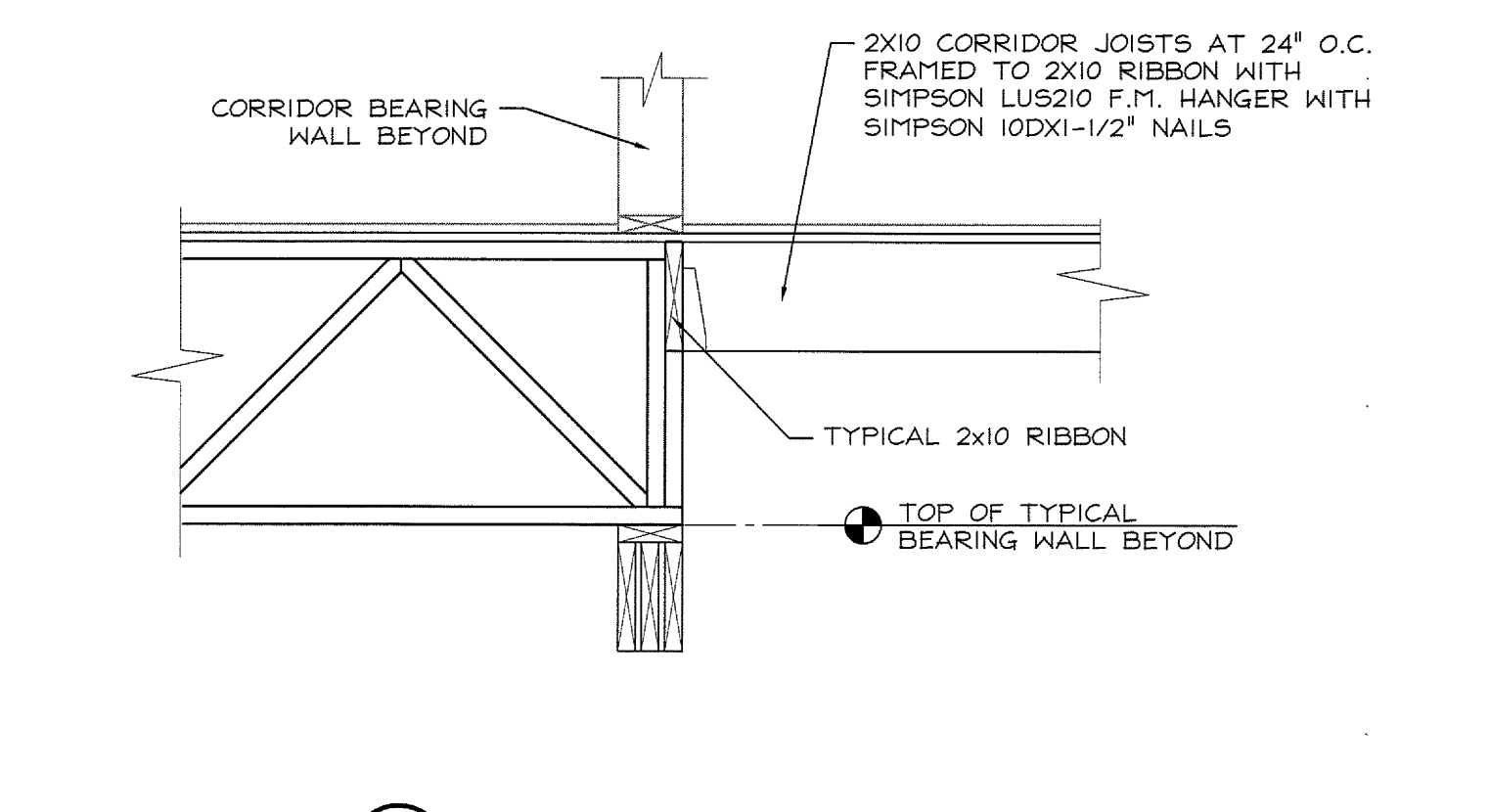
6 FRAMING AT SKEWED CHANGE IN FLOOR FRAMING  
Scale: 3/4" = 1' 0"



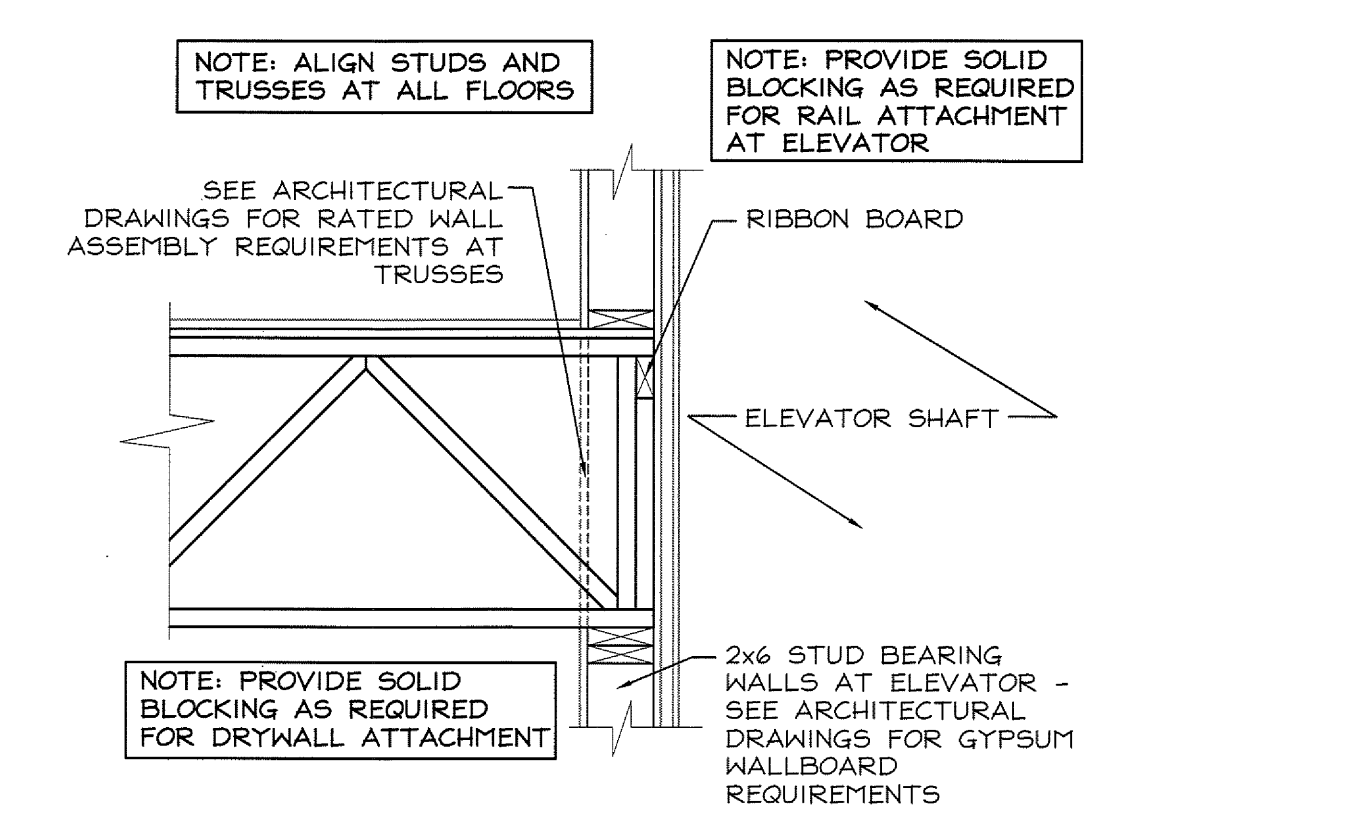
7 2x10 FLOOR JOIST BEARING AT STAIR WALL  
Scale: 3/4" = 1' 0"



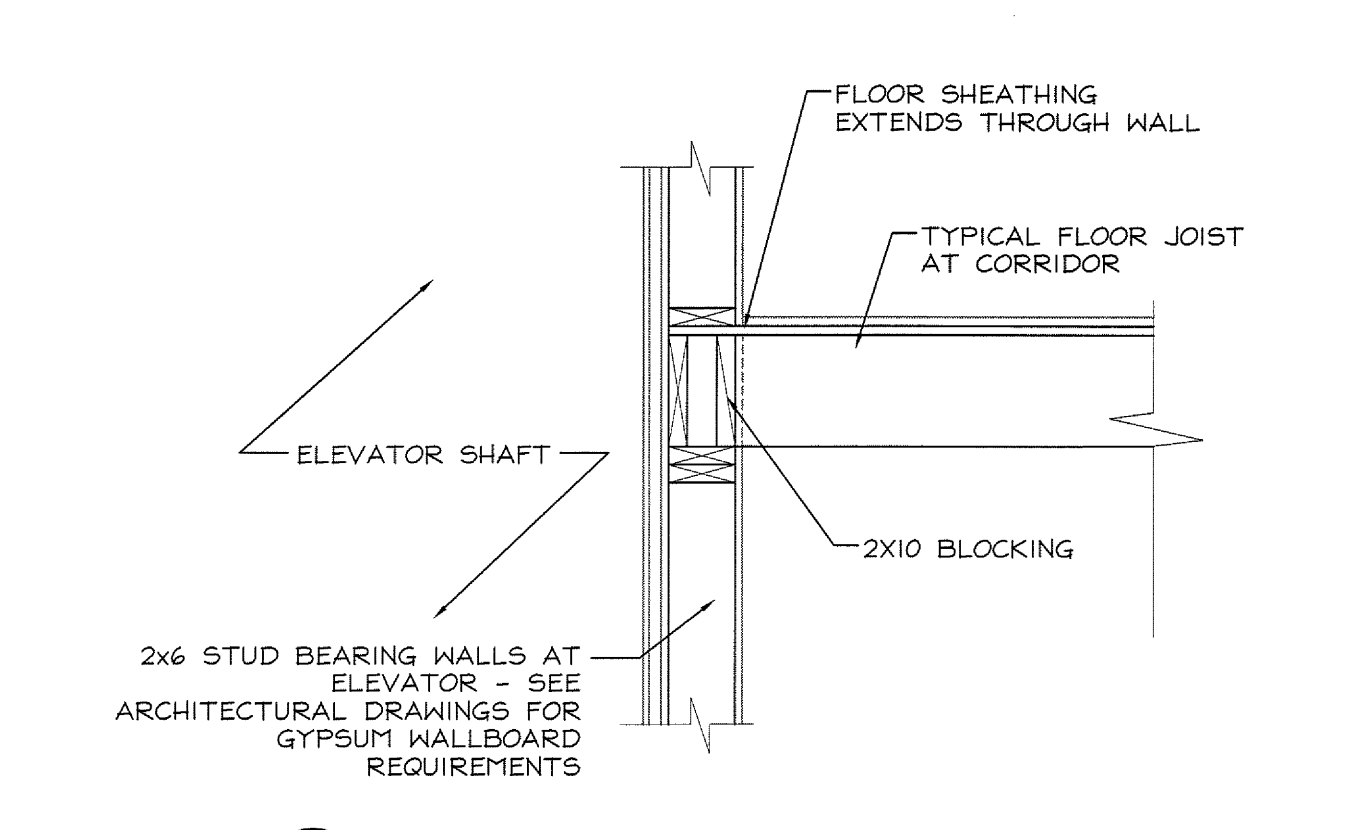
8 TRUSS BEARING AT CLOSET AT DECK  
Scale: 3/4" = 1' 0"



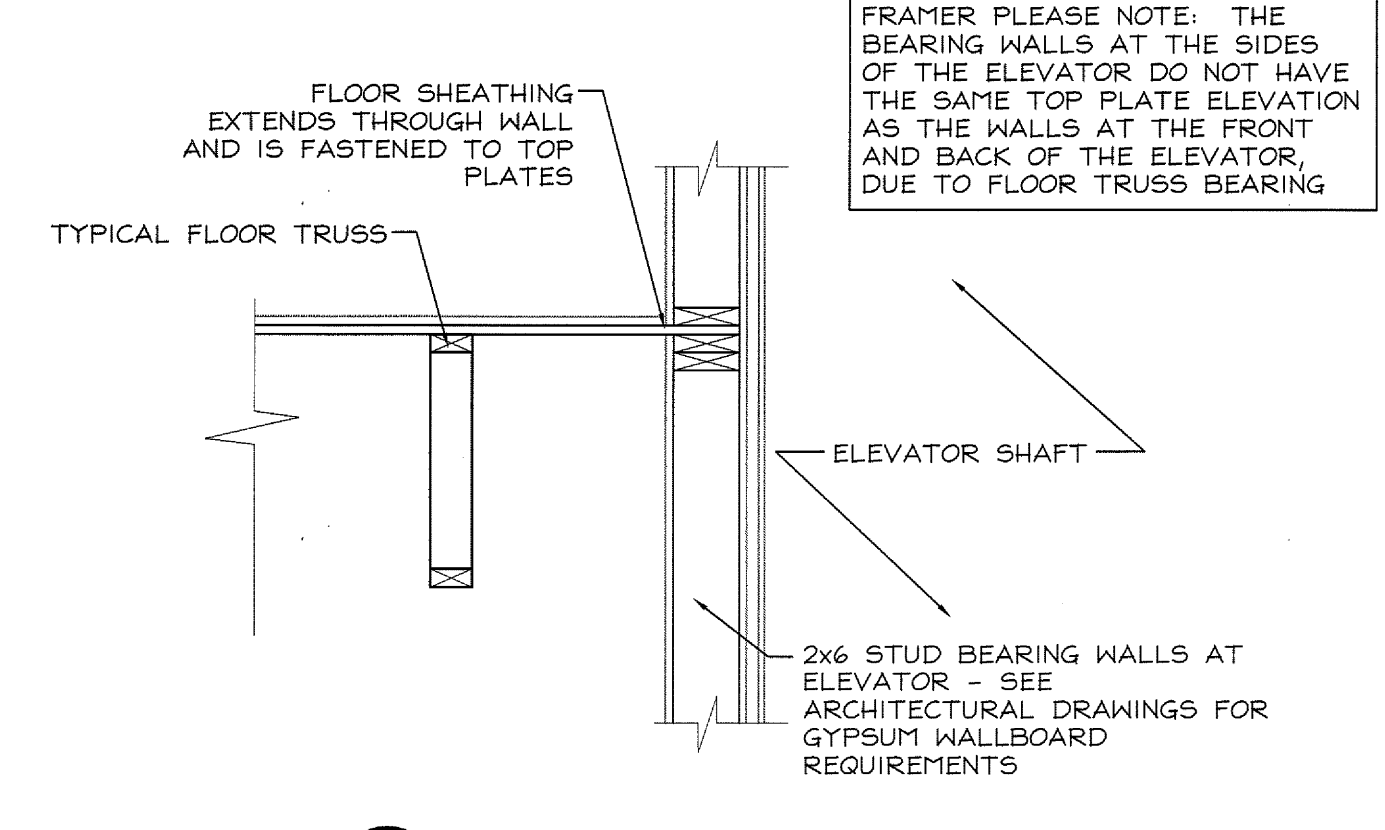
9 FLOOR TRUSS BEARING AT HEADER  
Scale: 3/4" = 1' 0"



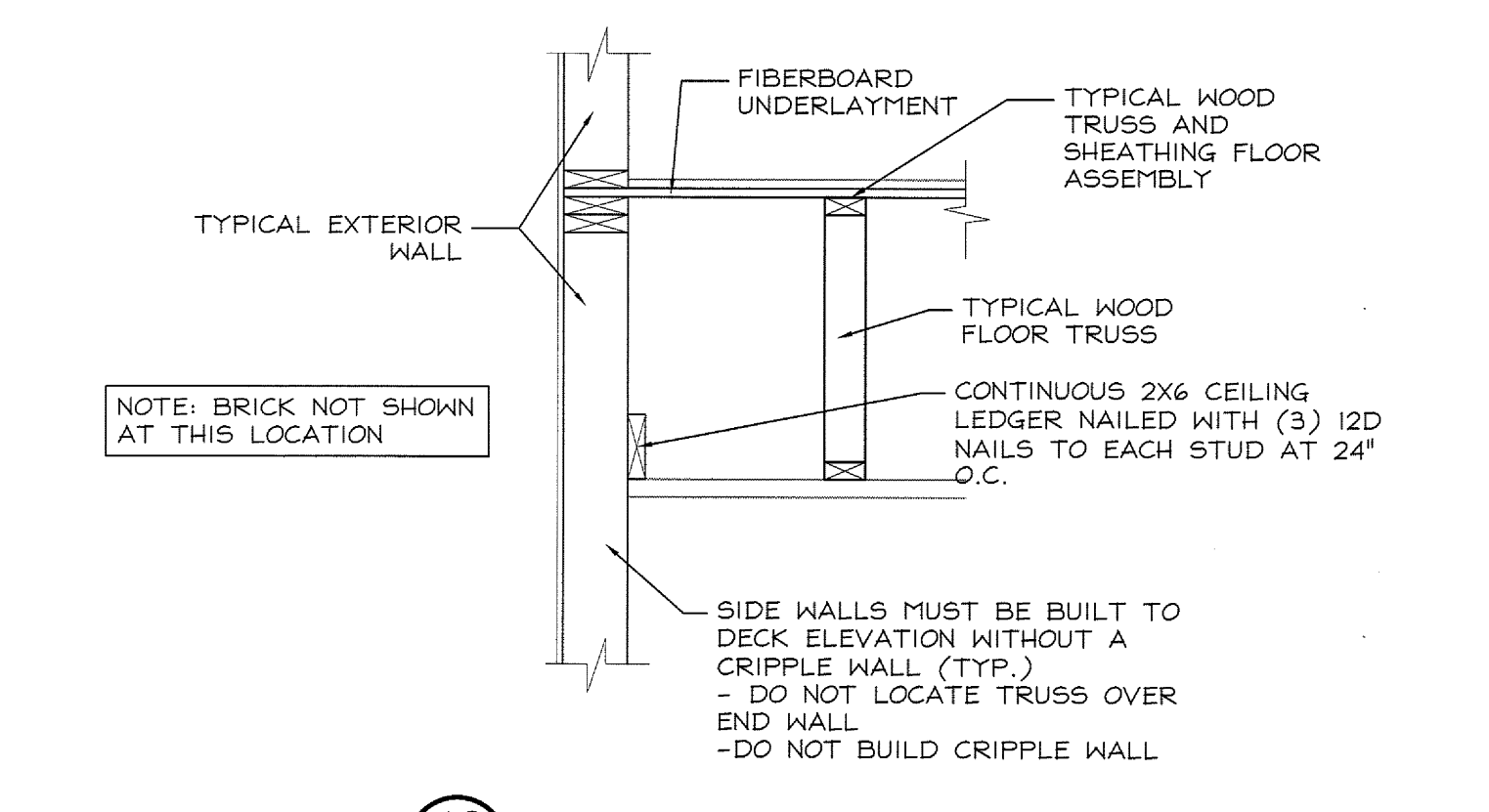
10 TRUSS BEARING AT ELEVATOR SHAFT  
Scale: 3/4" = 1' 0"



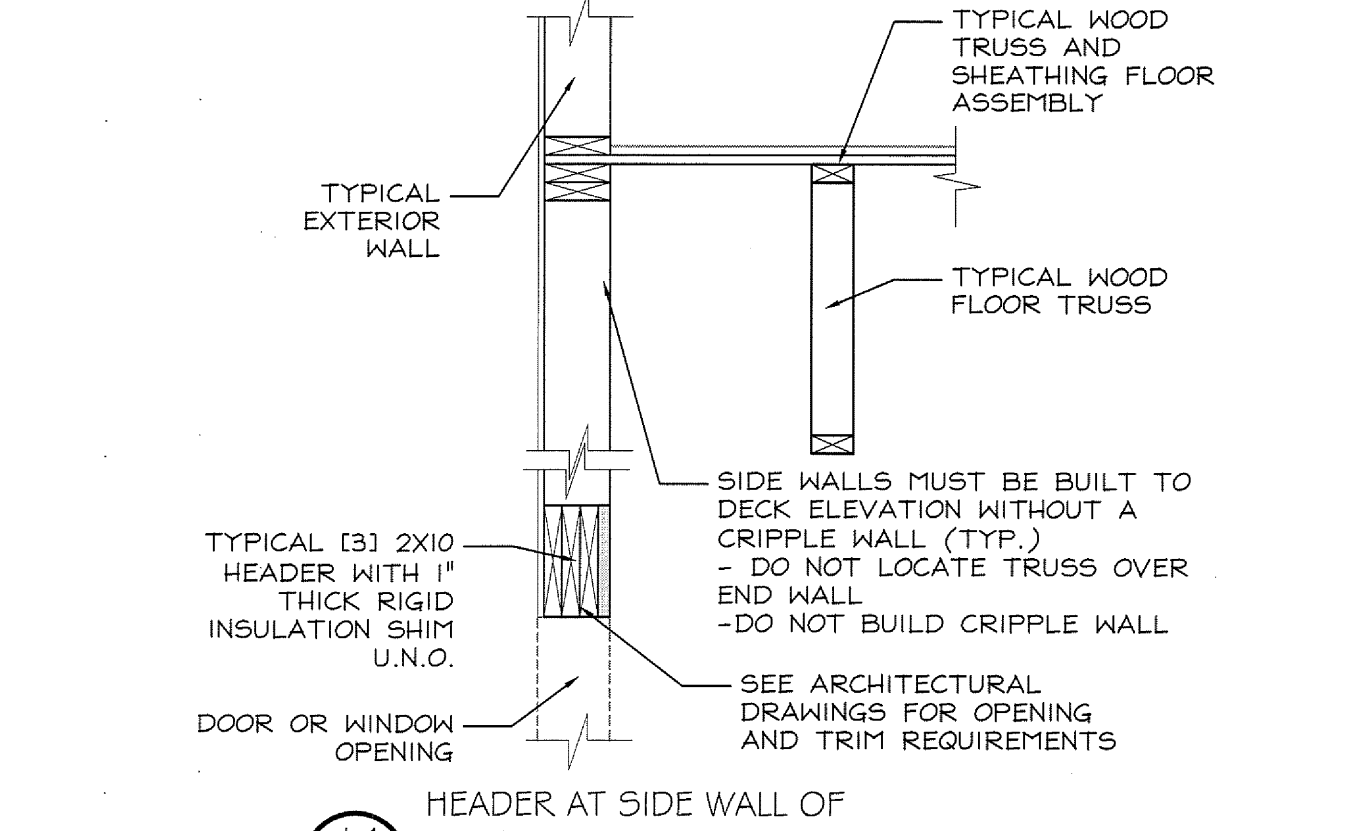
11 STAIR JOIST BEARING AT ELEVATOR SHAFT  
Scale: 3/4" = 1' 0"



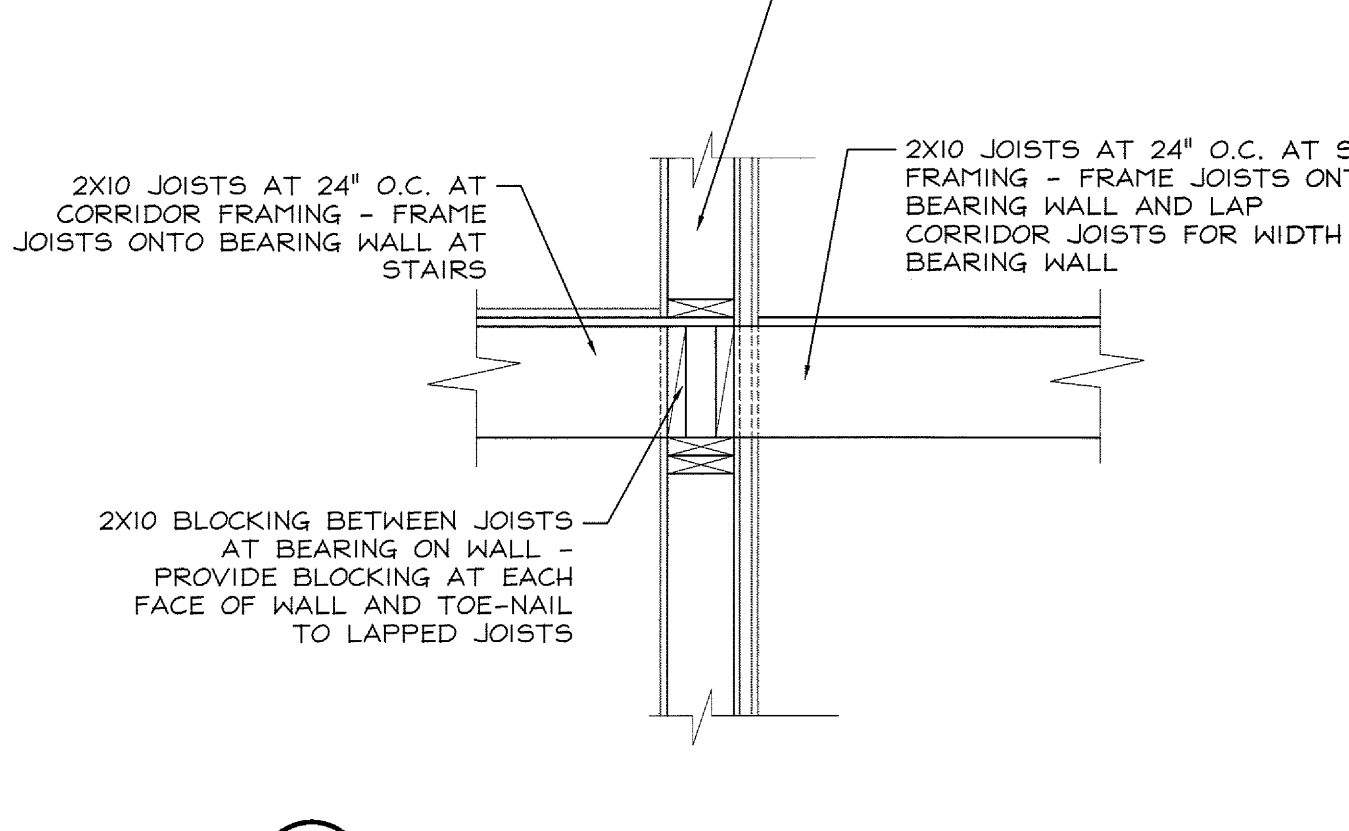
12 TRUSS PARALLEL TO ELEVATOR SHAFT  
Scale: 3/4" = 1' 0"



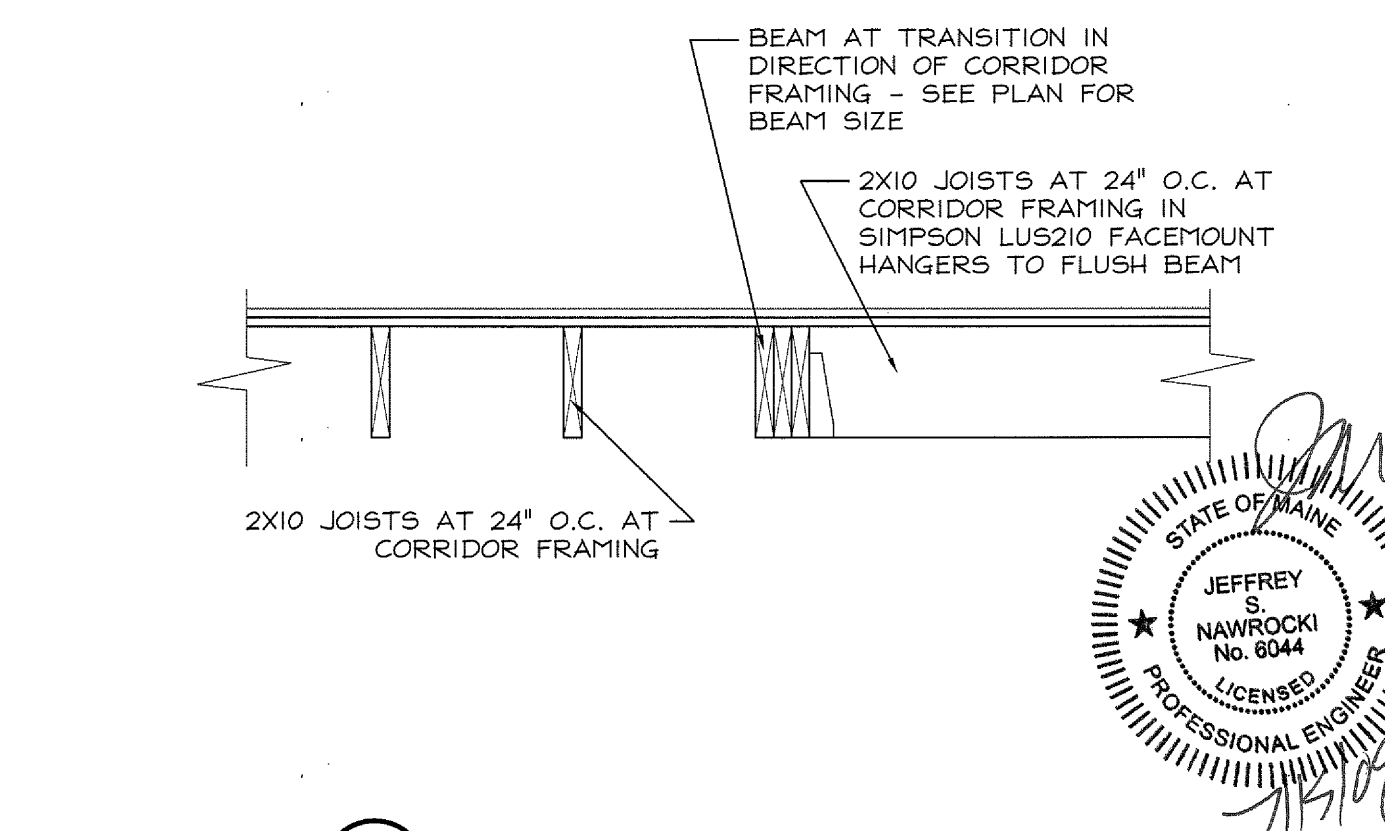
13 TYPICAL TRUSS FLOOR AT SIDE WALL  
Scale: 3/4" = 1' 0"



14 HEADER AT SIDE WALL OF TRUSS FLOOR  
Scale: 3/4" = 1' 0"



15 CORRIDOR TRANSITION TO STAIR  
Scale: 3/4" = 1' 0"



16 CORRIDOR AT TRANSITION  
Scale: 3/4" = 1' 0"

