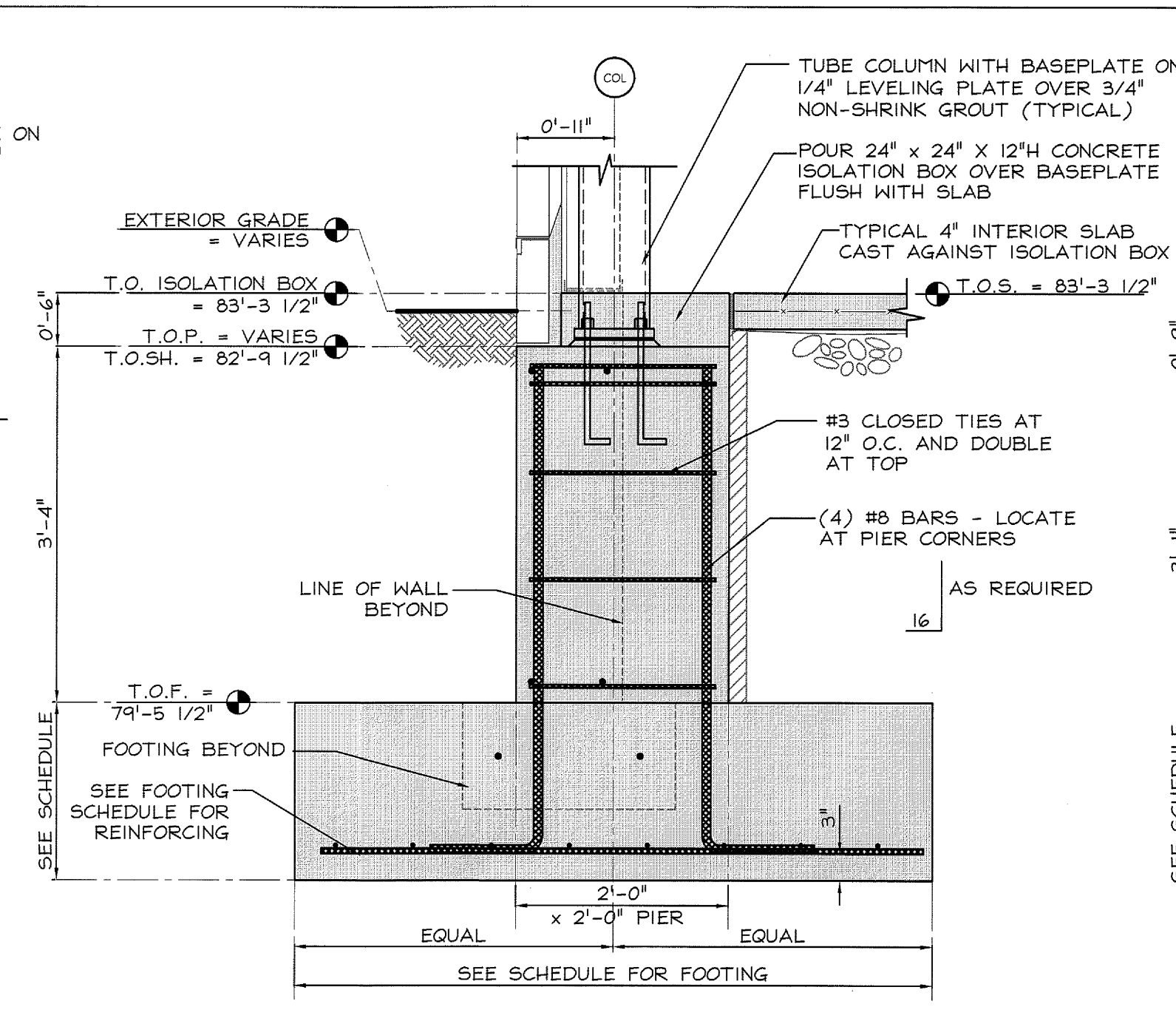
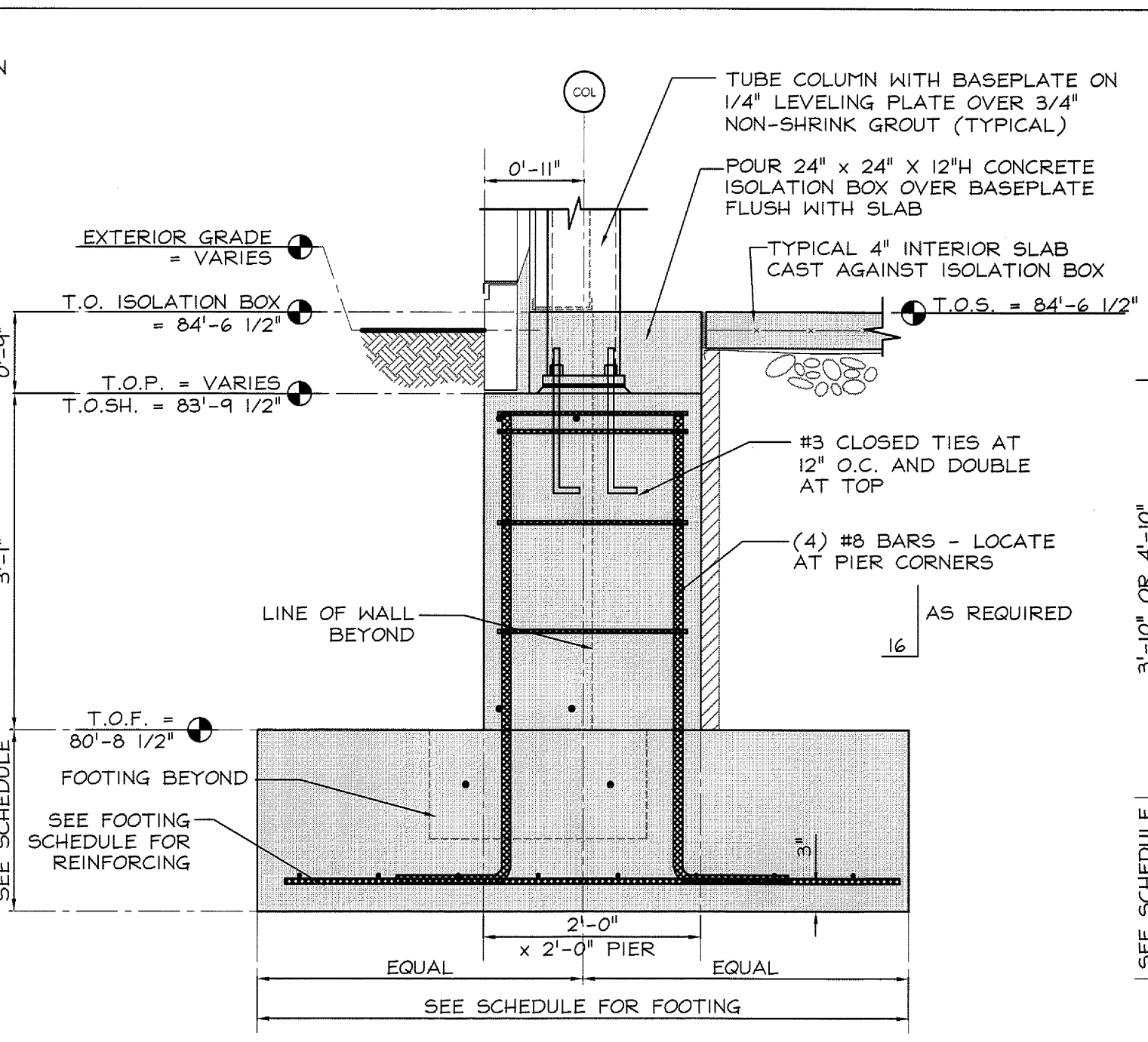


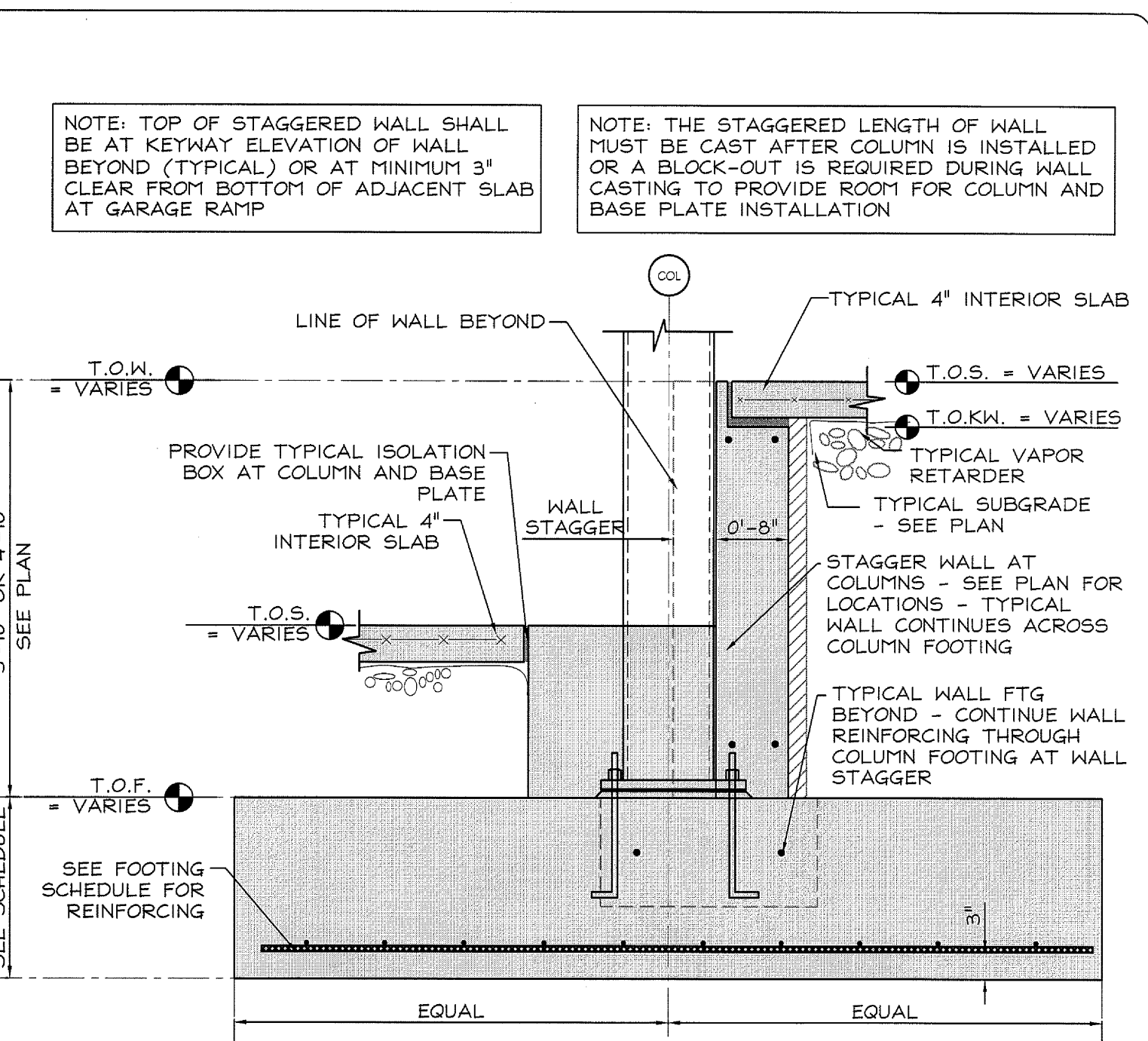
1 INTERIOR COLUMN PIER
Scale: 3/4" = 1'-0"



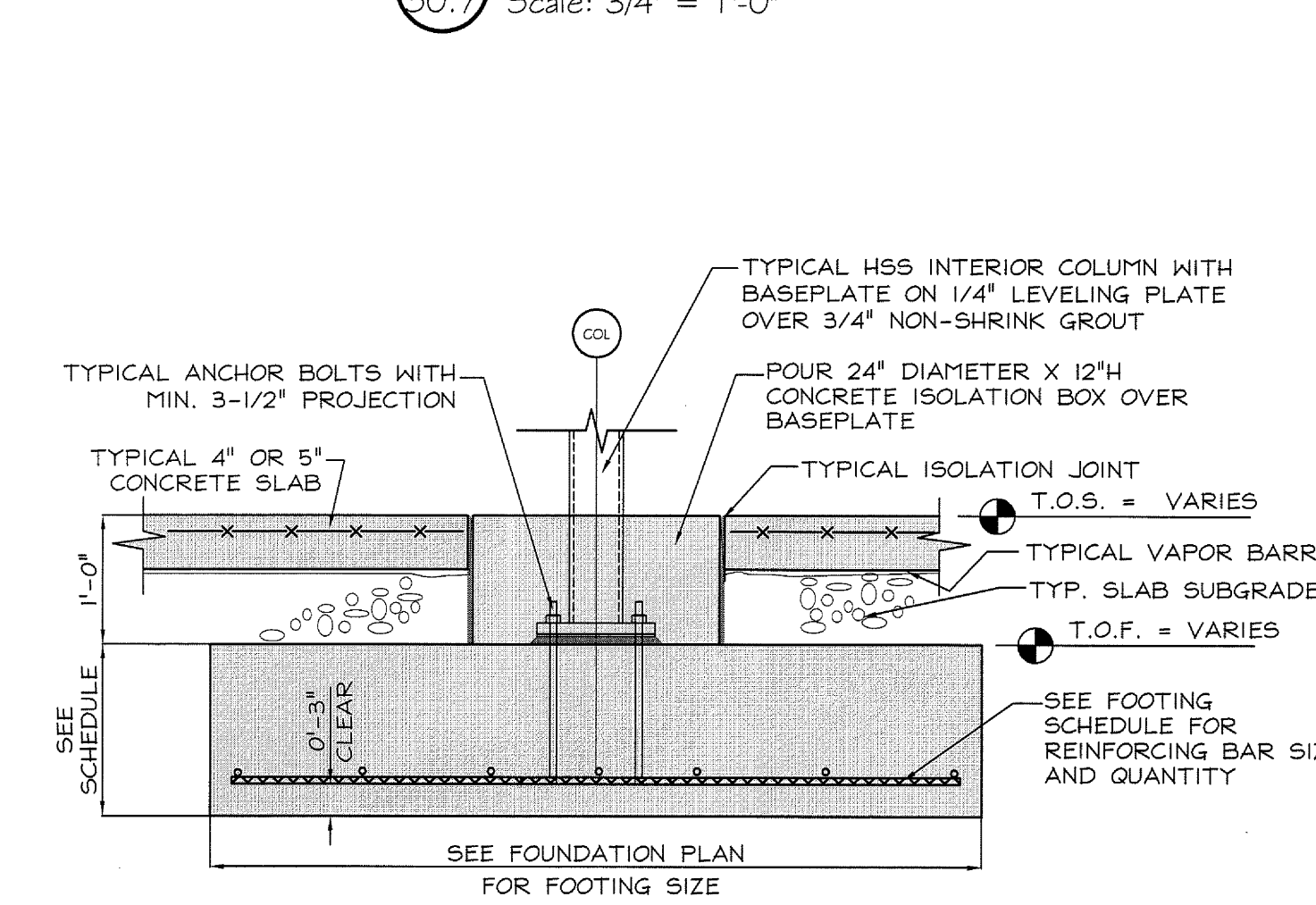
2 PIER AT INTERIOR WALL
Scale: 3/4" = 1'-0"



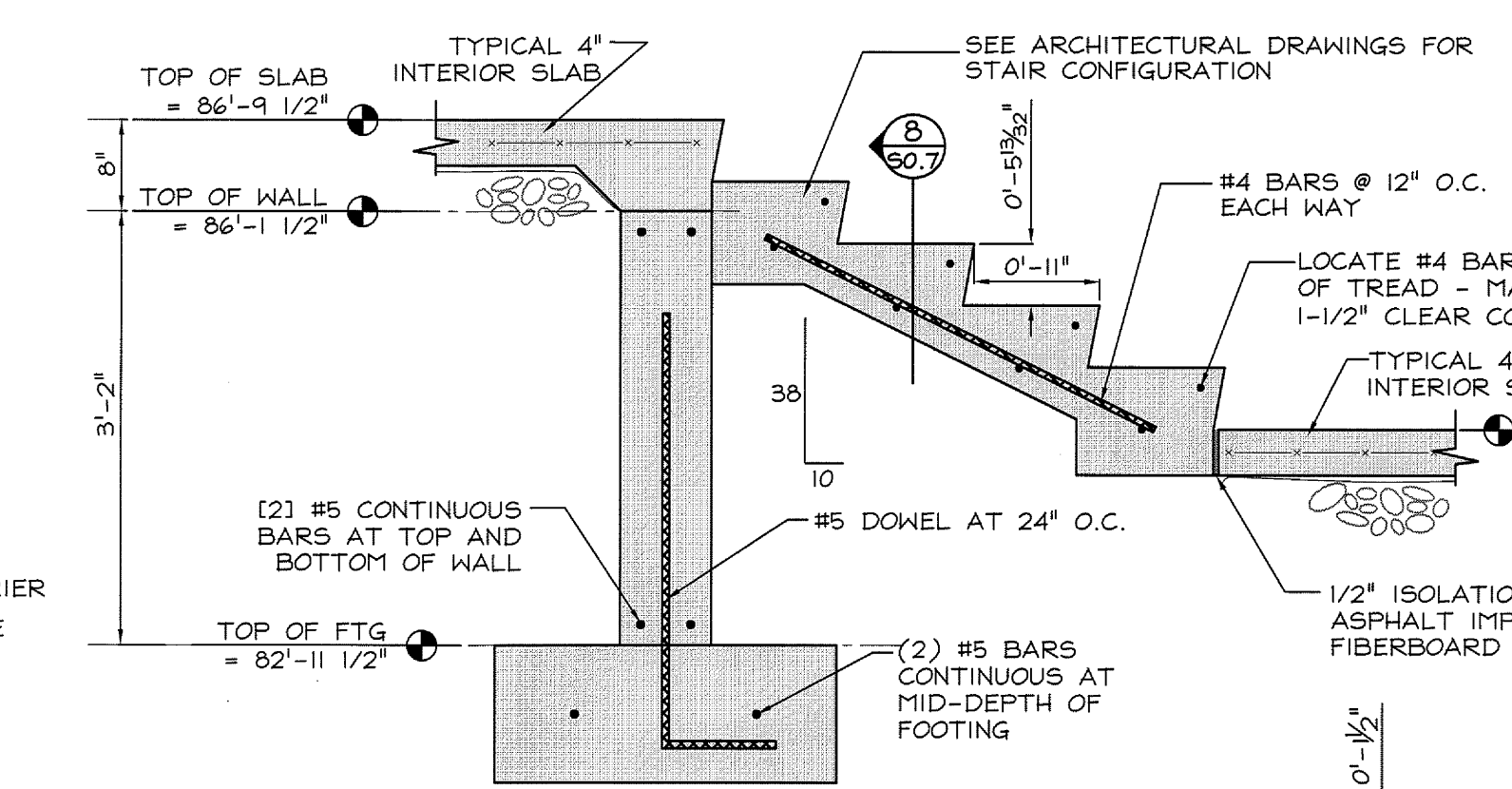
3 PIER AT EXTERIOR WALL
Scale: 3/4" = 1'-0"



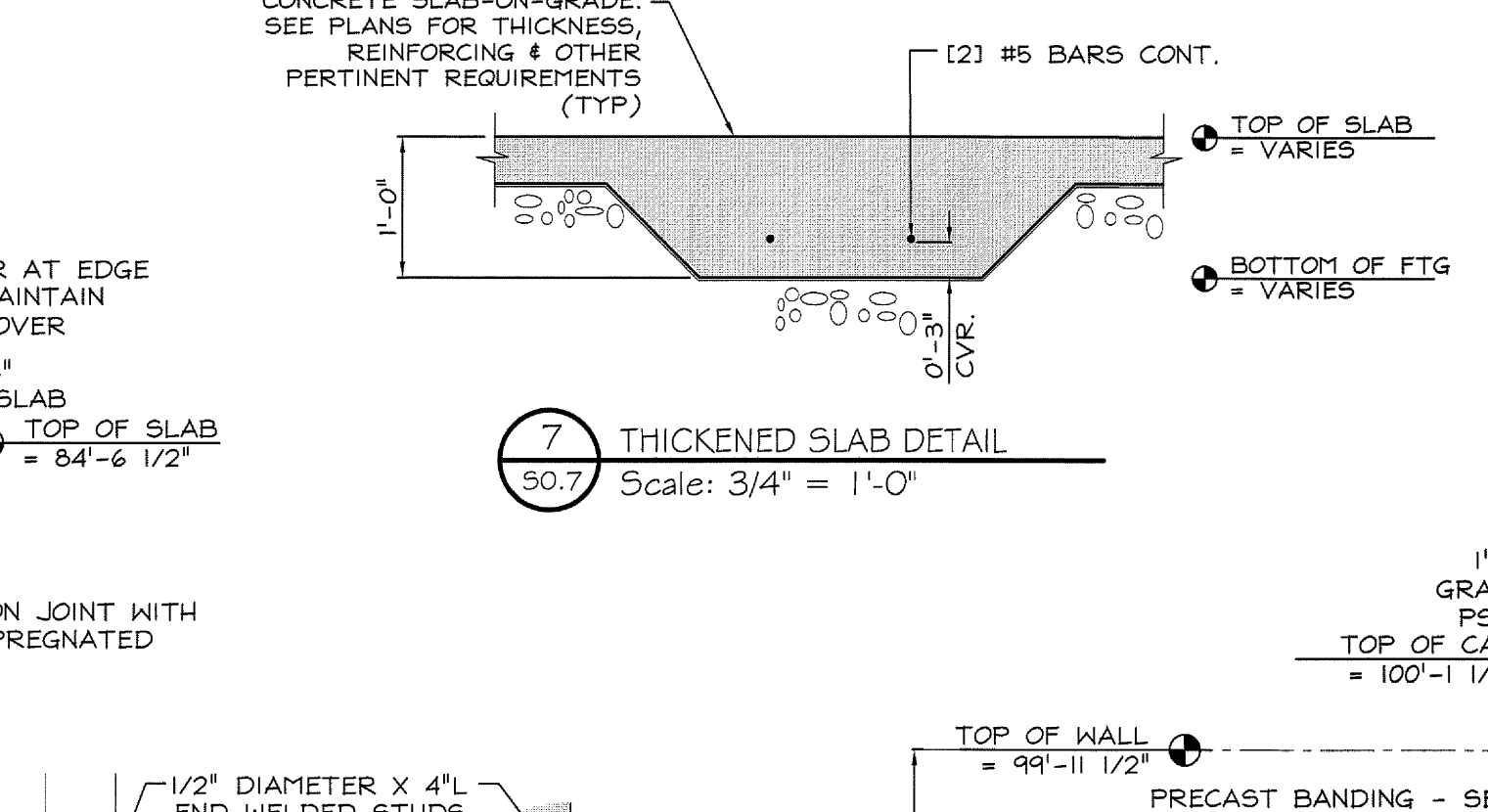
4 COLUMN AT INTERIOR WALL
Scale: 3/4" = 1'-0"



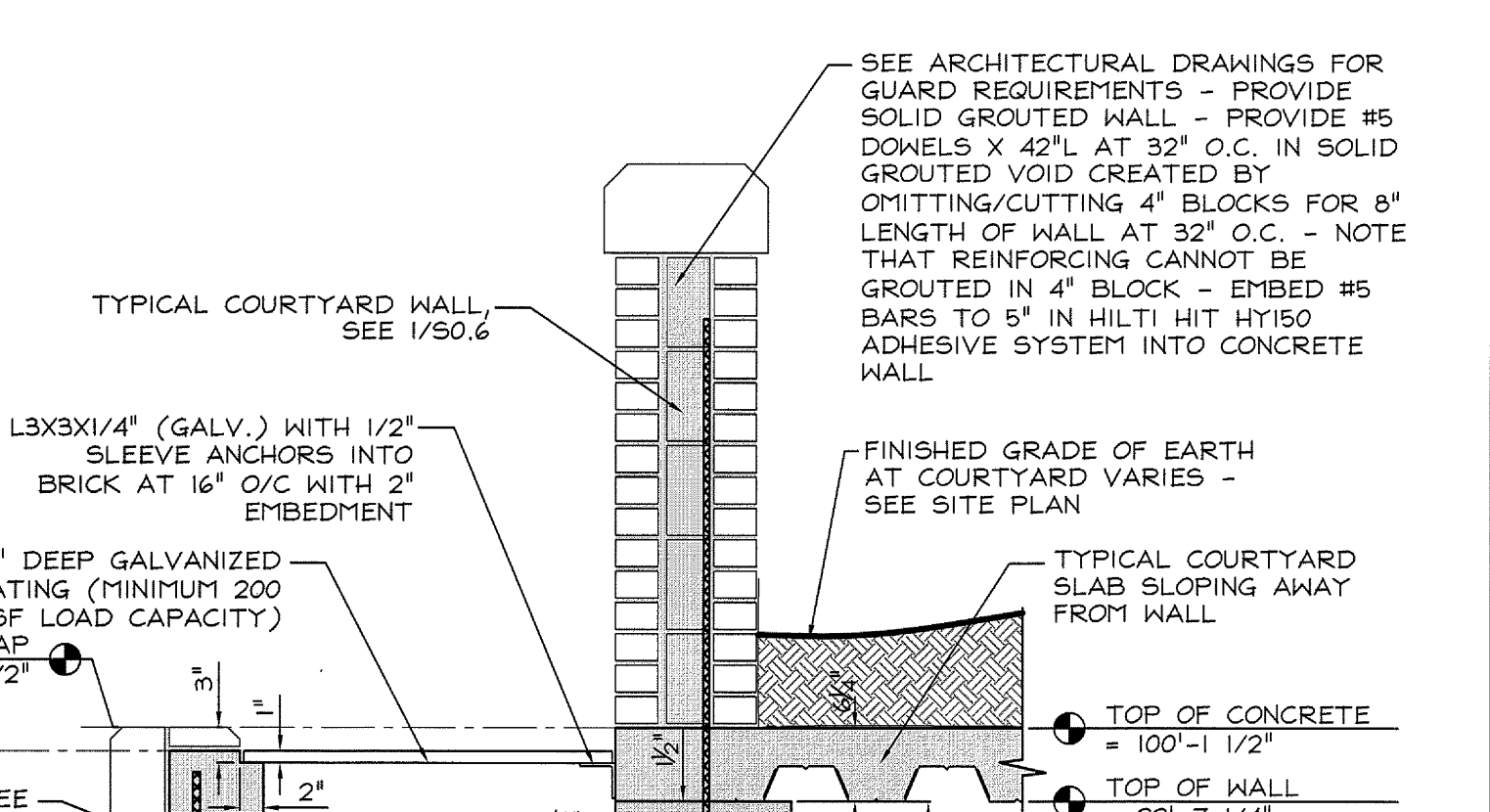
5 INTERIOR FOOTING
Scale: 3/4" = 1'-0"



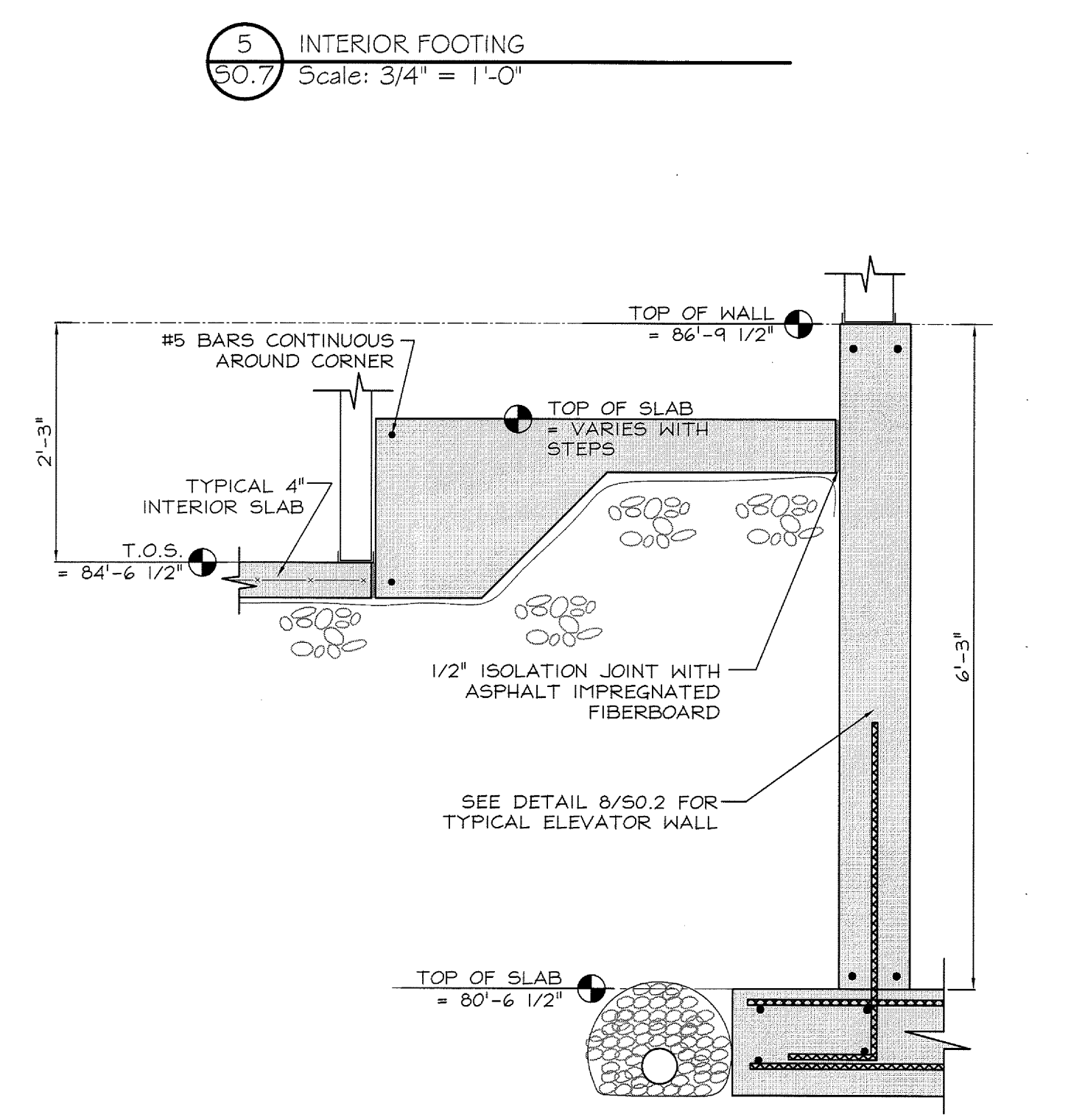
6 CONCRETE STAIR
Scale: 3/4" = 1'-0"



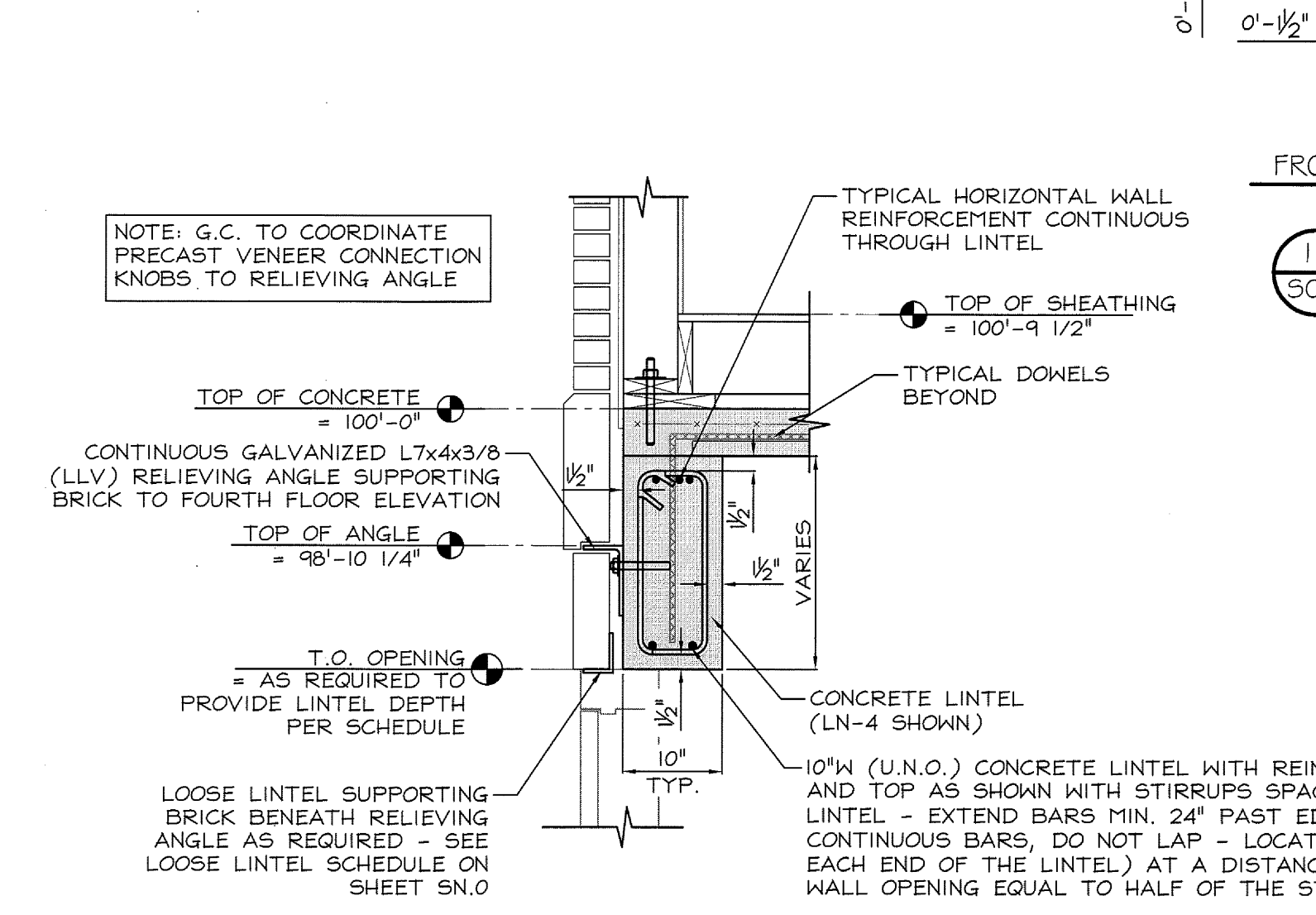
7 THICKENED SLAB DETAIL
Scale: 3/4" = 1'-0"



8 CONCRETE STAIR
Scale: 3/4" = 1'-0"



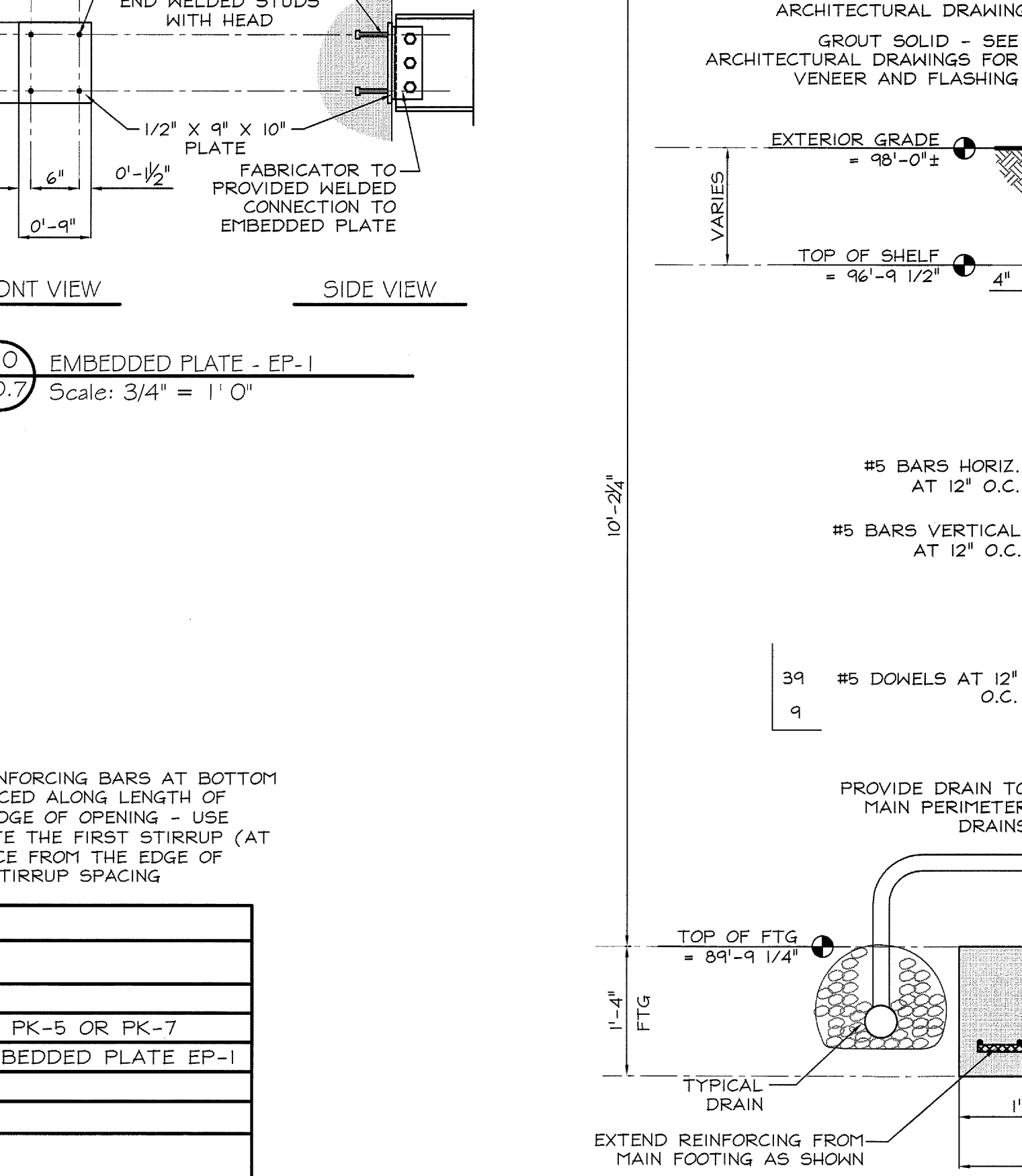
9 FOUNDATION WALL LINTELS
Scale: 3/4" = 1'-0"



10 EMBEDDED PLATE - EP-1
Scale: 3/4" = 1'-0"

LINTEL	LINTEL DEPTH	R.O. WIDTH	BOTTOM BARS	STIRRUPS	NOTES
LN-1	4'-0 1/4"	72"	(2) #6 BARS	#3 AT 16" O.C.	
LN-2	4'-0 1/4"	72"	(2) #6 BARS	#4 AT 9" O.C.	BEAM POCKET PK-5 OR PK-7
LN-3	2'-3"	60"	(2) #6 BARS	#3 AT 9" O.C.	15" WIDTH, EMBEDDED PLATE EP-1
LN-4	1'-9 1/4"	36"	(2) #6 BARS	#3 AT 9" O.C.	
LN-5	5'-9 3/4"	76"	(2) #6 BARS	#3 AT 16" O.C.	

9 FOUNDATION WALL LINTELS
Scale: 3/4" = 1'-0"



11 SECTION AT AREAWAY
Scale: 3/4" = 1'-0"

JON Associates, Inc.
Consulting Structural Engineers
One Autumn Street
Portland, ME 04201
(603) 433-8690
Fax: (603) 433-2811
www.joneng.com

DAVID M. WHITE, ARCHITECT
403 Tbetts Hill Road
P. O. Box 447
Coffstown, New Hampshire 03045
(603) 497-3405

THE VILLAGE AT OCEAN GATE, LLC
GFI Partners
93 Pearl Street
Boston, MA 02110

THE BAY HOUSE
Middle Street
Portland, Maine

FOUNDATION DETAILS
Phase 1
Scale: As Noted
Commission No: 06-008
Date: July 15, 2008

REVISIONS:

DRG. NO.
50.7

