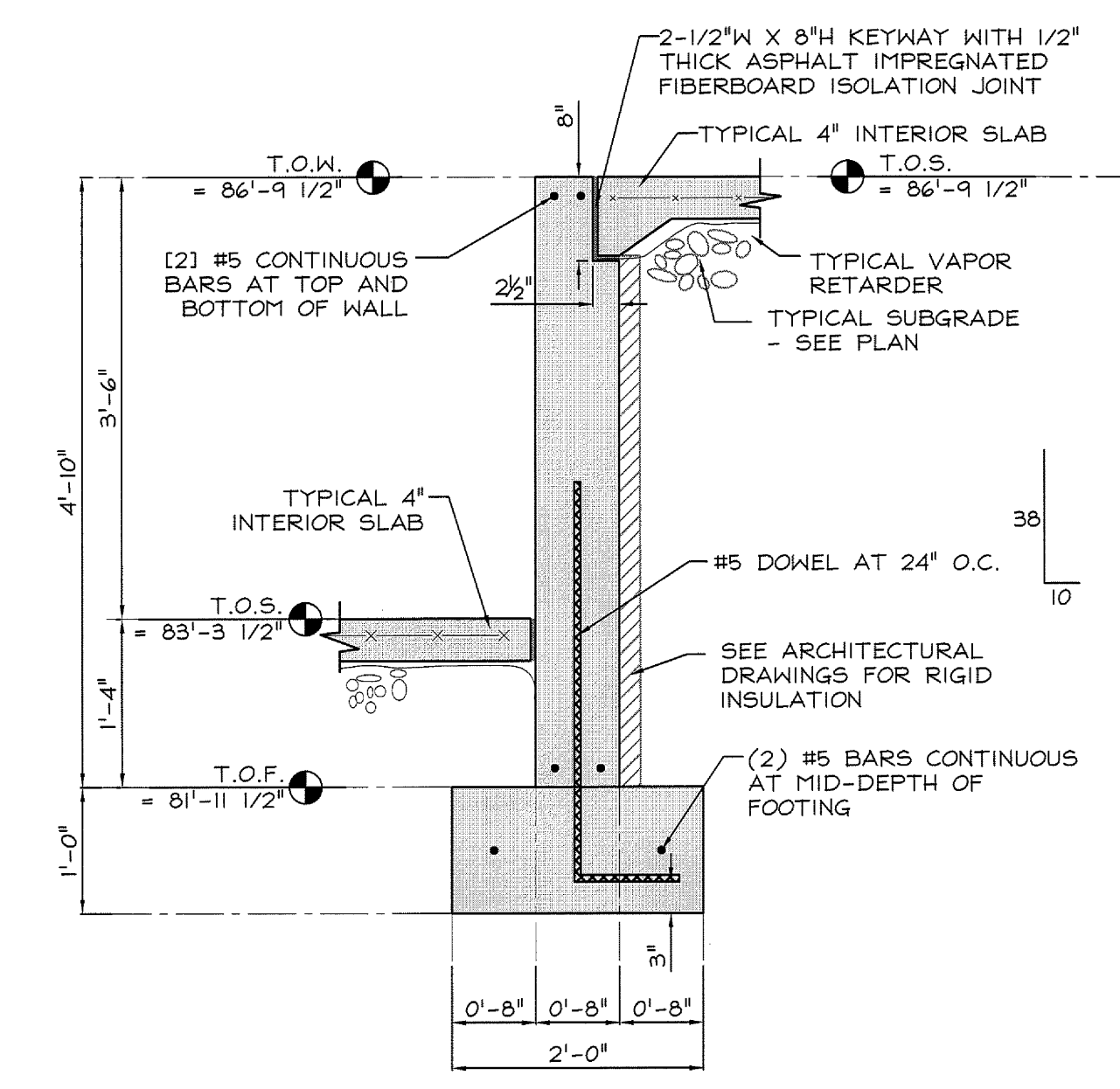
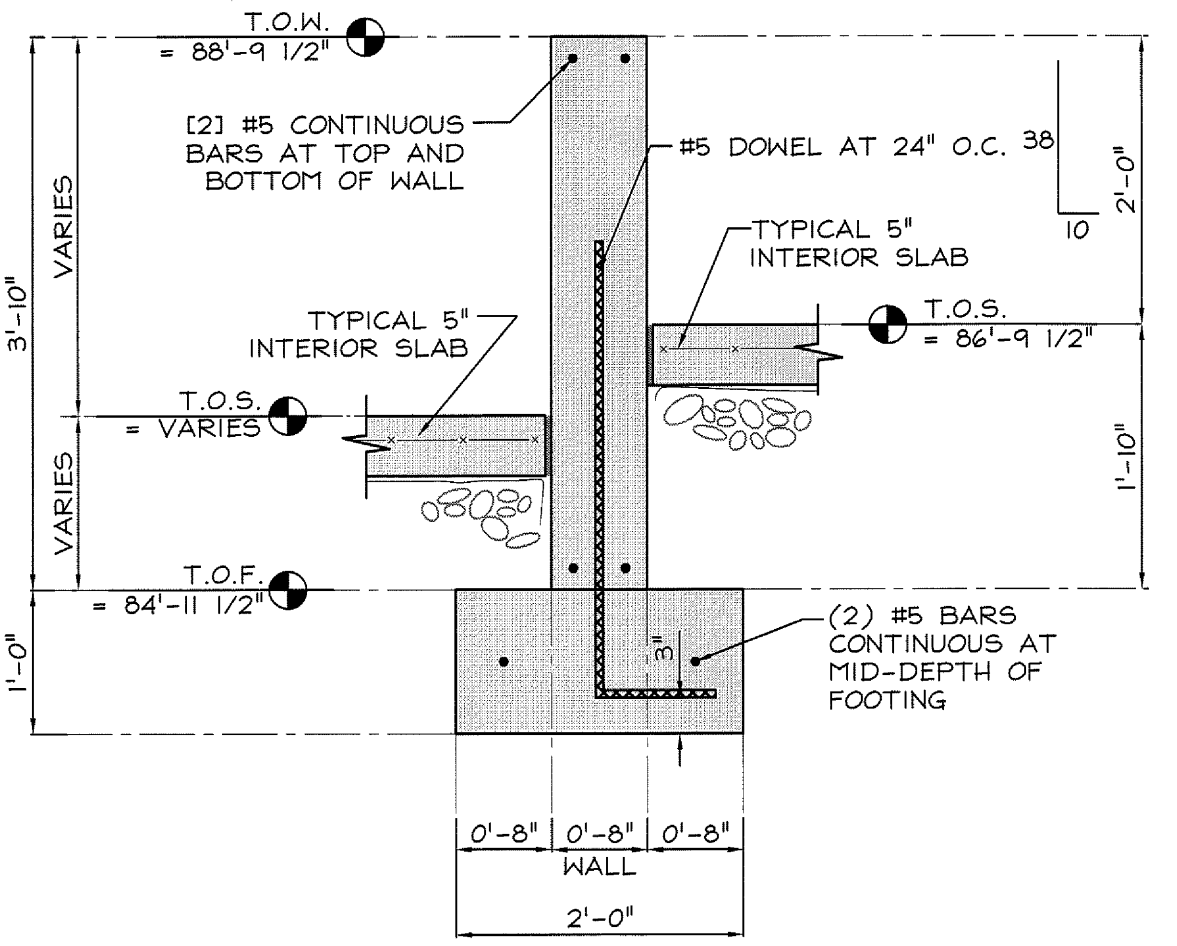


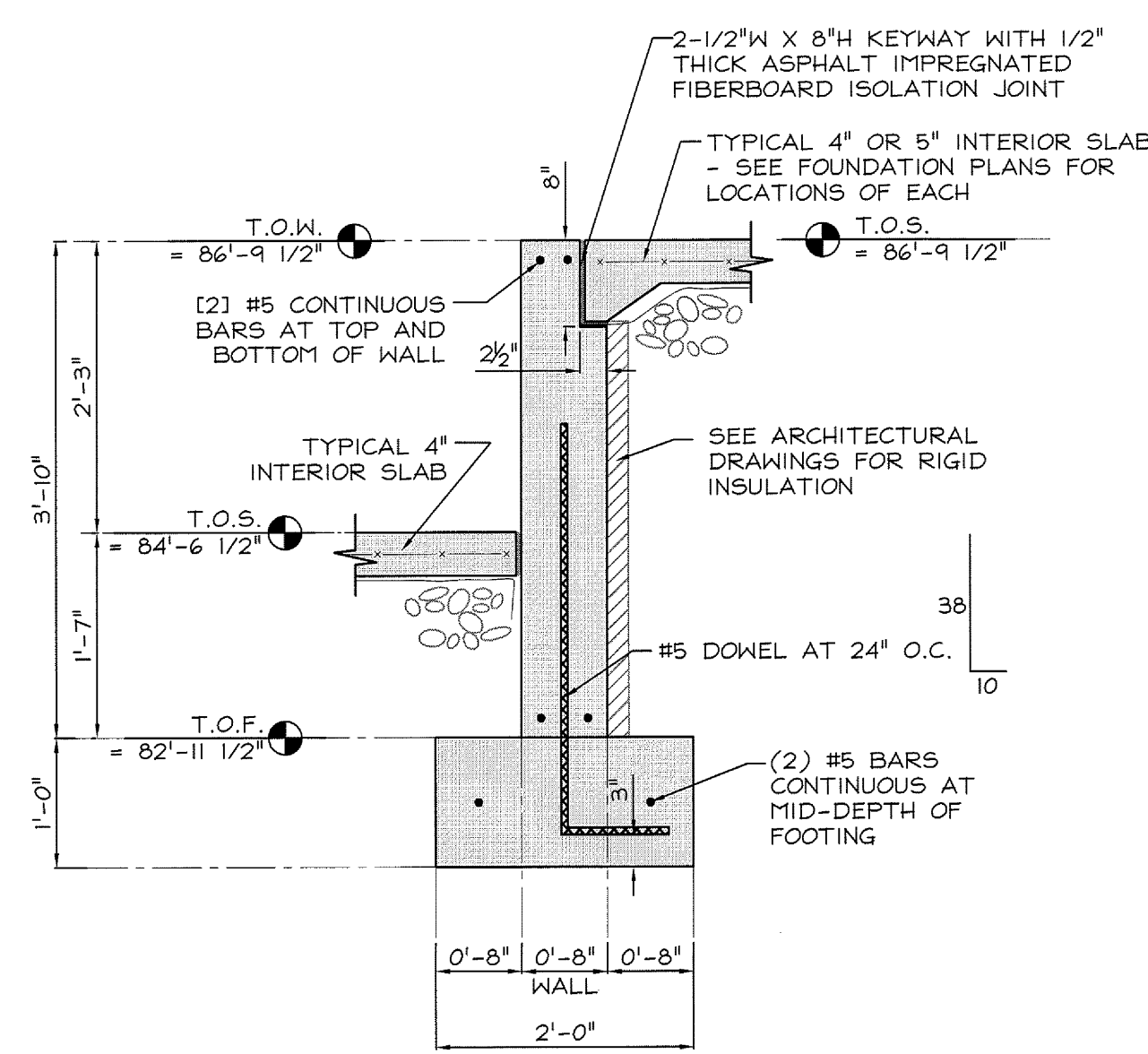
1 FOUNDATION WALL
 50.6 Scale: 3/4" = 1'-0"



2 INTERIOR FOUNDATION WALL
 50.6 Scale: 3/4" = 1'-0"



4 INTERIOR FOUNDATION WALL
 50.6 Scale: 3/4" = 1'-0"

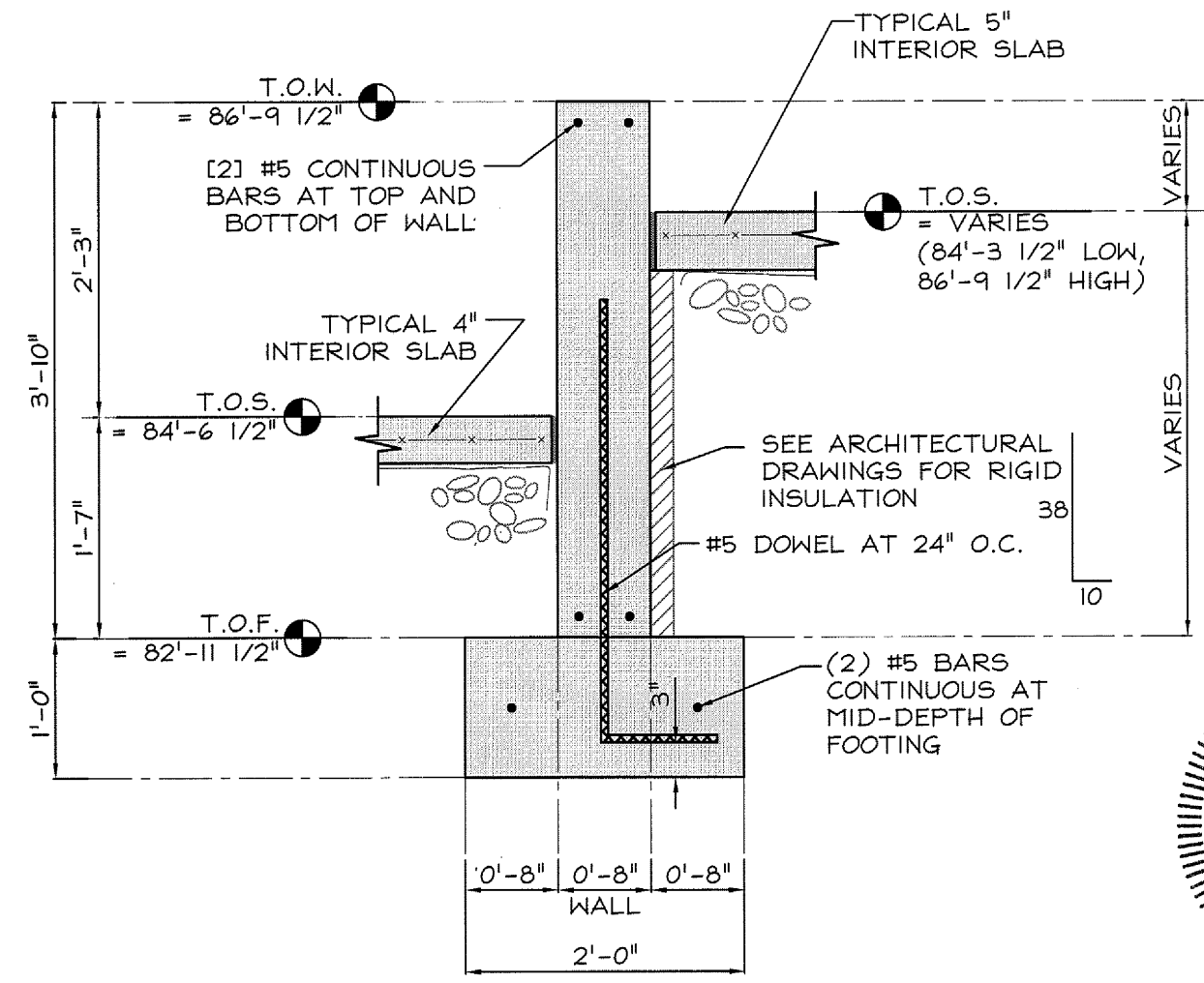


5 INTERIOR FOUNDATION WALL
 50.6 Scale: 3/4" = 1'-0"



NOTE:
 1. GEOTECHNICAL ENGINEER SHALL REVIEW FOOTING LOCATIONS AND LOADING, AND RECOMMEND SCHEDULE OF AGGREGATE PIERS TO LIMIT DIFFERENTIAL SETTLEMENT OF BUILDING FOUNDATION STRUCTURES.
 2. PROVIDE RAMMED AGGREGATE PIERS OR GROUTED RAMMED AGGREGATE PIERS AS SPECIFIED BY THE GEOTECHNICAL ENGINEER.
 3. PIERS ARE EXPECTED TO BE REQUIRED BENEATH ALL OF THE FOOTINGS (SHOWN SHADED), AT INTERIOR COLUMNS, SHOWN TO THE LEFT OF THE SEPARATION LINE, EXCEPT WHERE DETERMINED BY GEOTECHNICAL ENGINEER AND APPROVED BY E.O.R. AS NOT REQUIRING PIERS.
 4. PIERS ARE REQUIRED BENEATH ALL WALL FOOTINGS (SHOWN SHADED) BENEATH FULL HEIGHT FOUNDATION (T.O.W. 99'-7 1/4") SHOWN TO THE LEFT OF THE SEPARATION LINE, EXCEPT WHERE DETERMINED BY GEOTECHNICAL ENGINEER AND APPROVED BY E.O.R. AS NOT REQUIRING PIERS.
 5. PIERS ARE REQUIRED BENEATH ELEVATOR PIT FOOTINGS (SHOWN SHADED).

3 RAMMED AGGREGATE PIER LAYOUT PLAN
 50.6 Scale: 1/32" = 1'



6 INTERIOR FOUNDATION WALL
 50.6 Scale: 3/4" = 1'-0"

