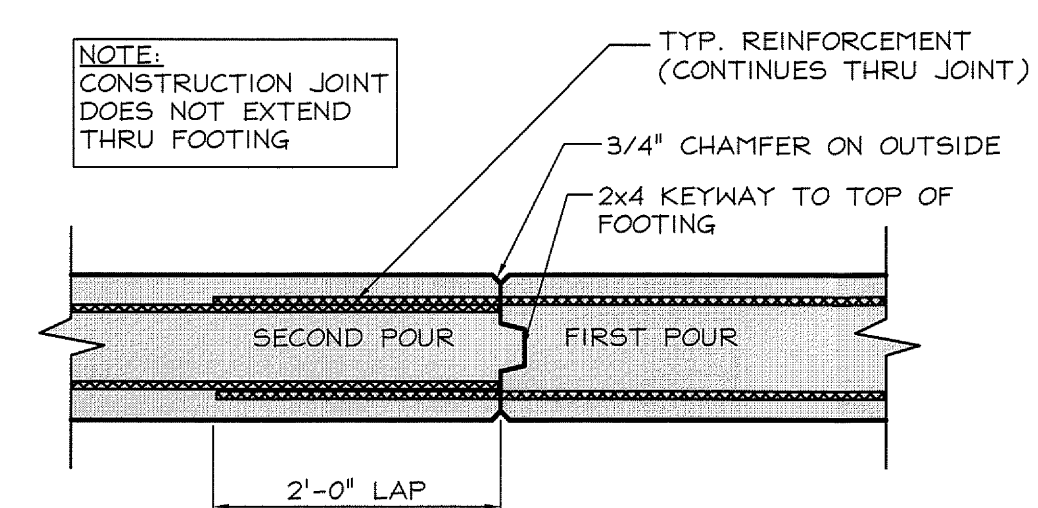
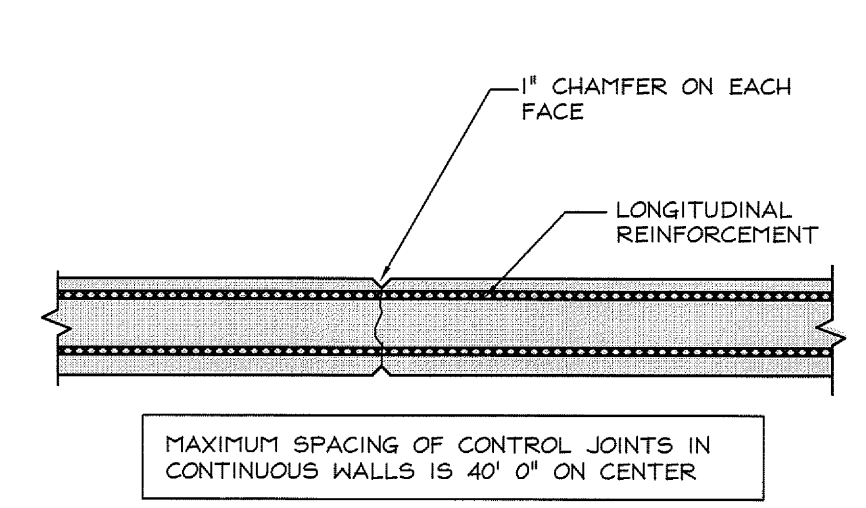


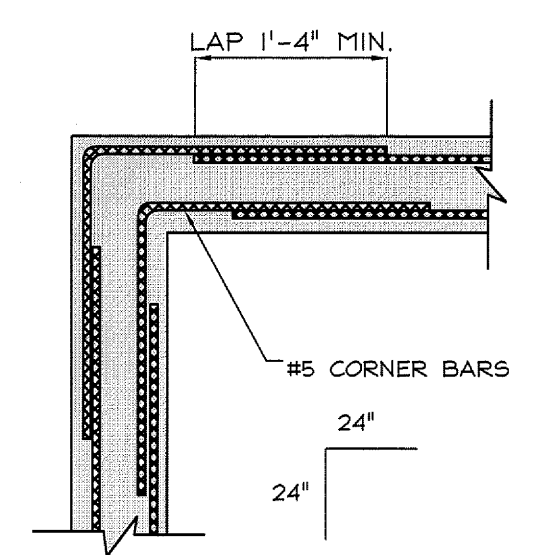
1 SLAB CONTROL JOINT
 50.2 Scale: NOT TO SCALE



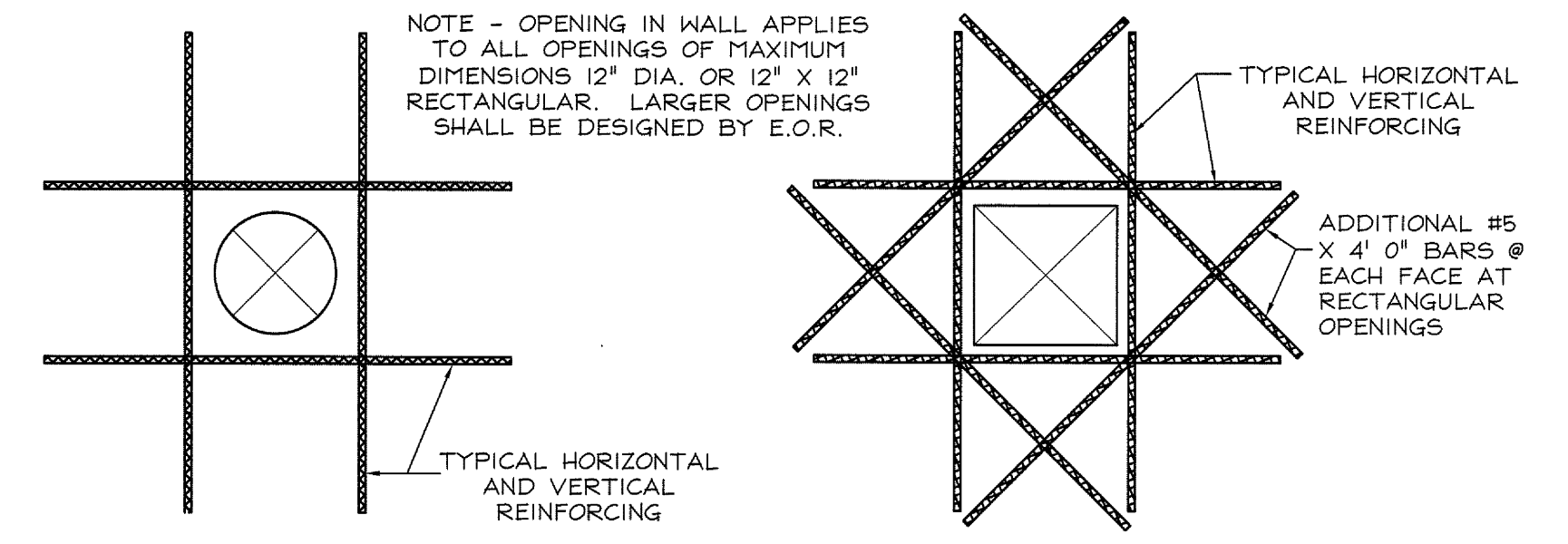
2 WALL CONSTRUCTION JOINT
 50.2 Scale: NOT TO SCALE



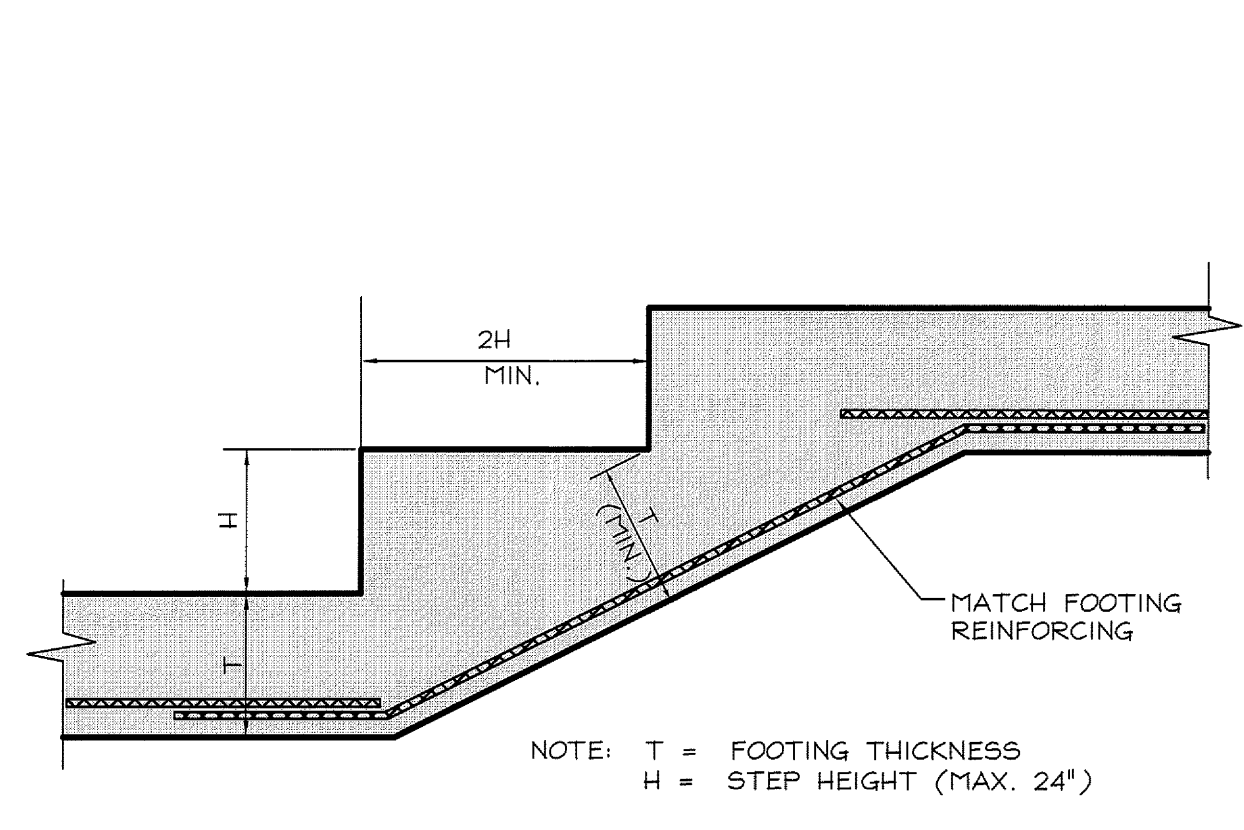
3 WALL CONTROL JOINT
 50.2 Scale: NOT TO SCALE



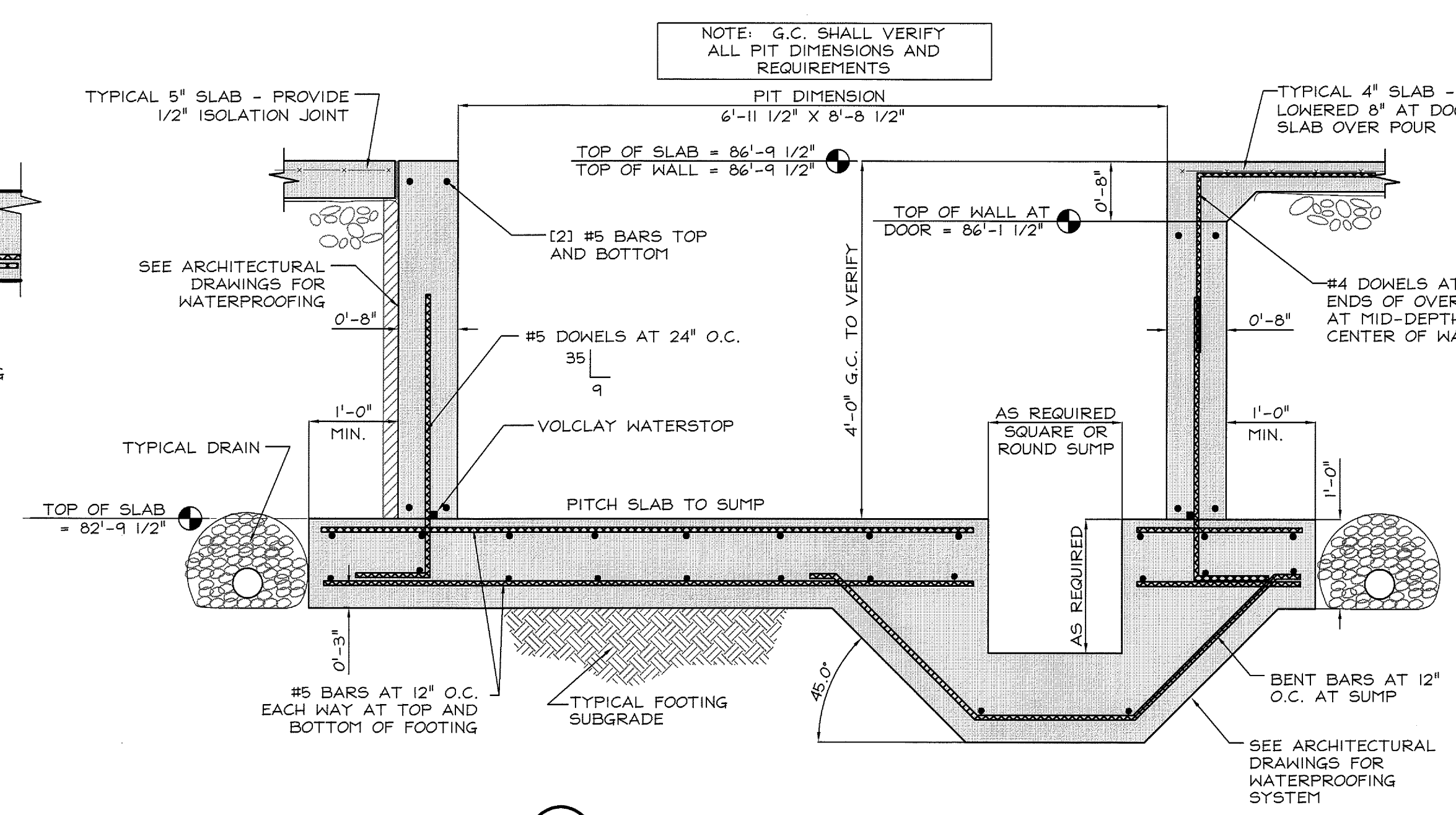
4 CORNER REINFORCING AT WALL
 50.2 Scale: NOT TO SCALE



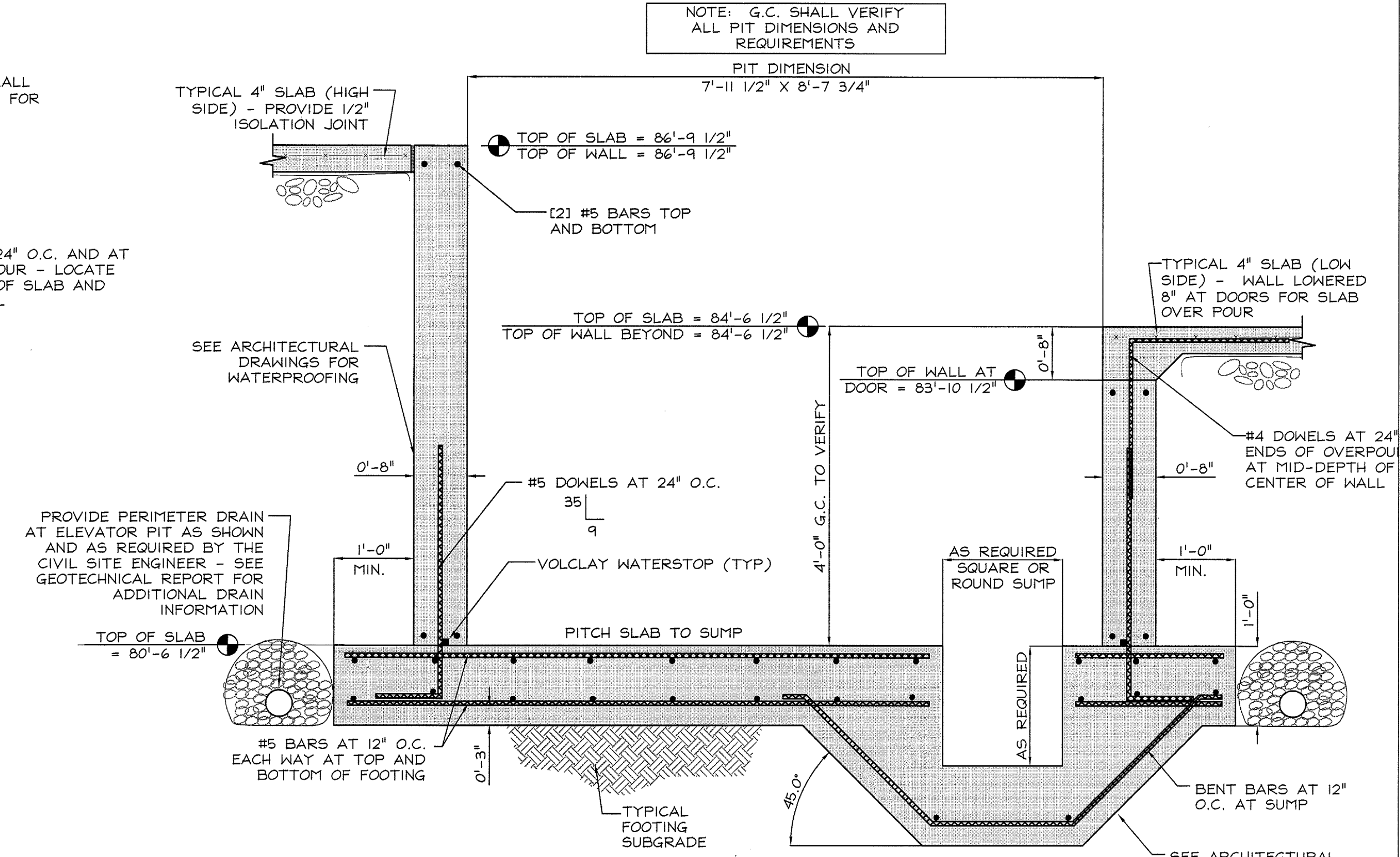
5 REINFORCING AT FOUNDATION WALL OPENINGS
 50.2 Scale: NOT TO SCALE



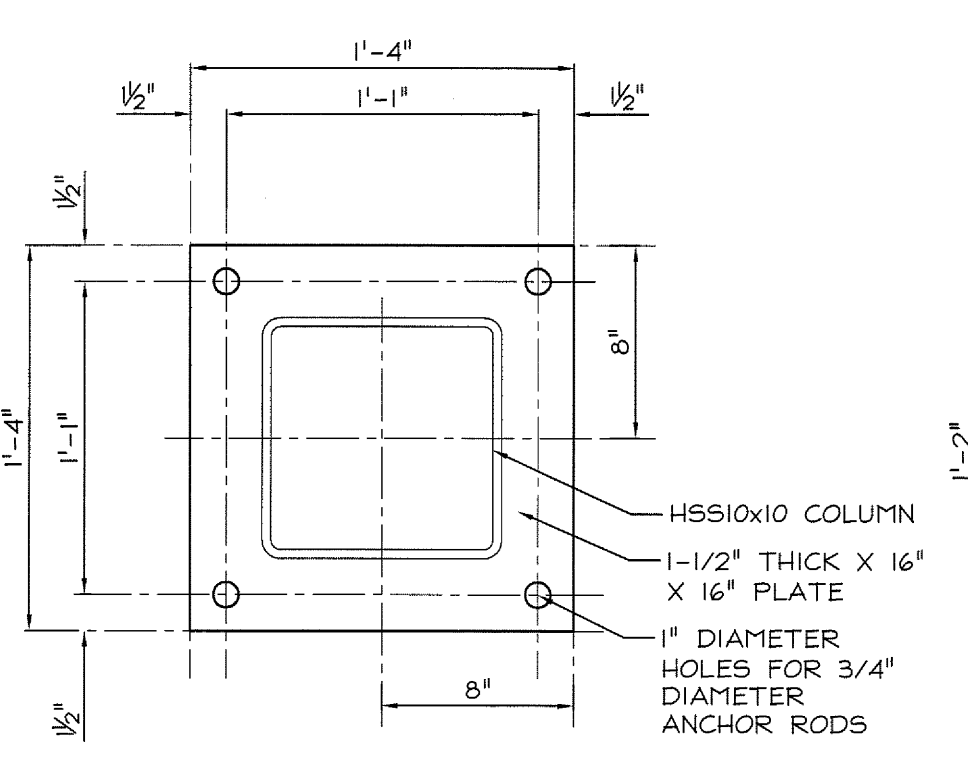
6 TYPICAL STEP IN FOOTING
 50.2 Scale: 3/4\"/>



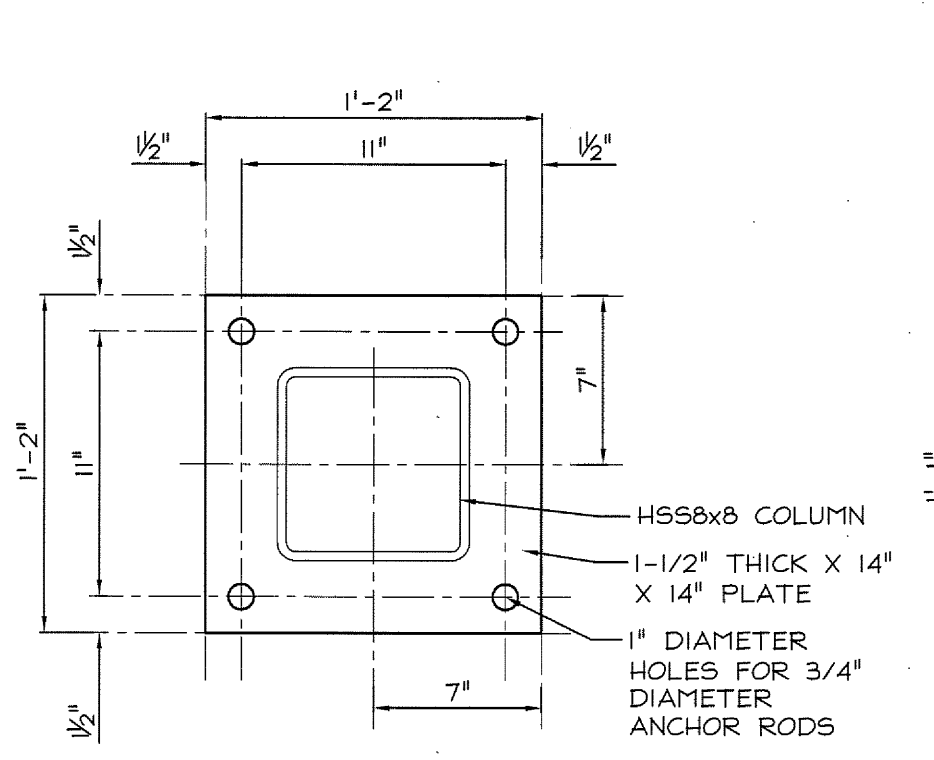
7 ELEVATOR PIT
 50.2 Scale: 3/4\"/>



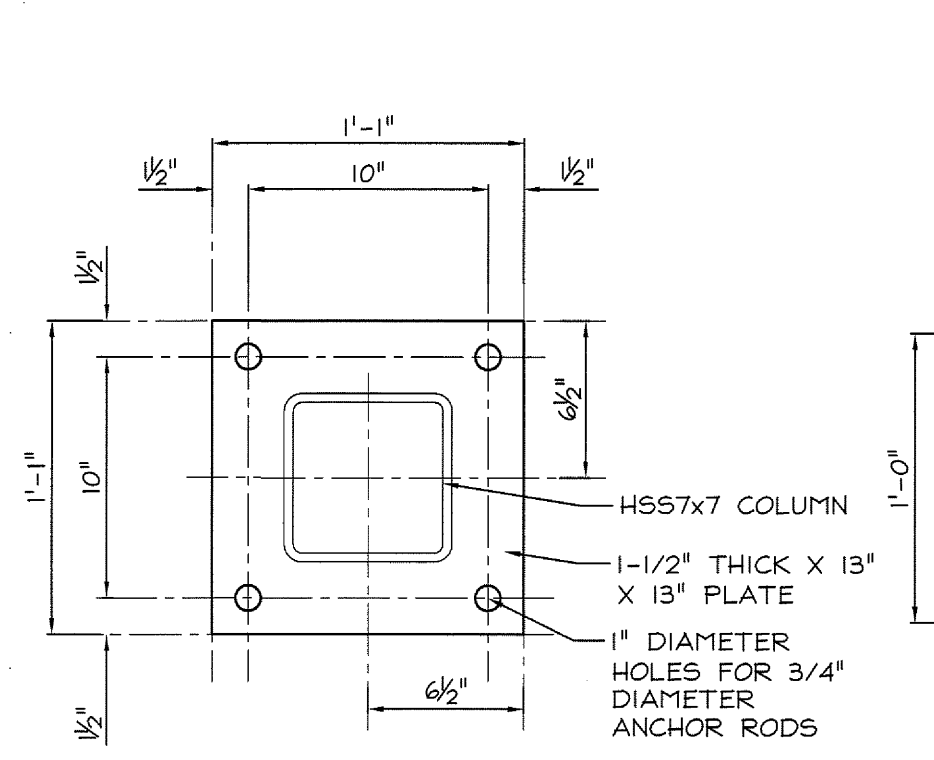
8 ELEVATOR PIT
 50.2 Scale: 3/4\"/>



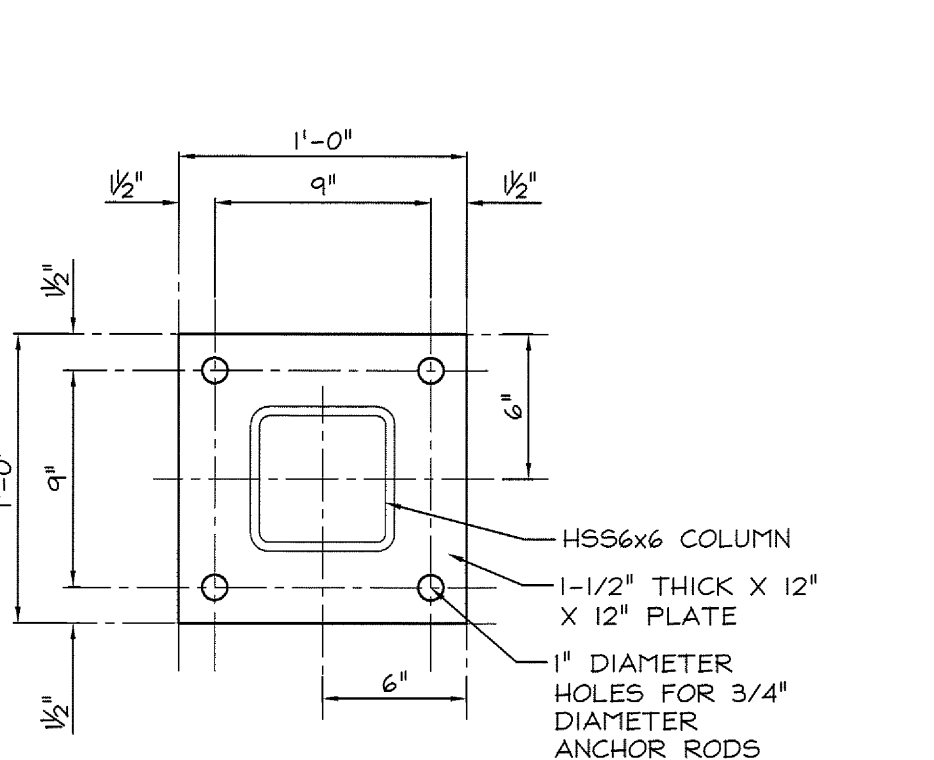
BP-1 BASEPLATE AT INTERIOR FOOTING (HSS10x10)



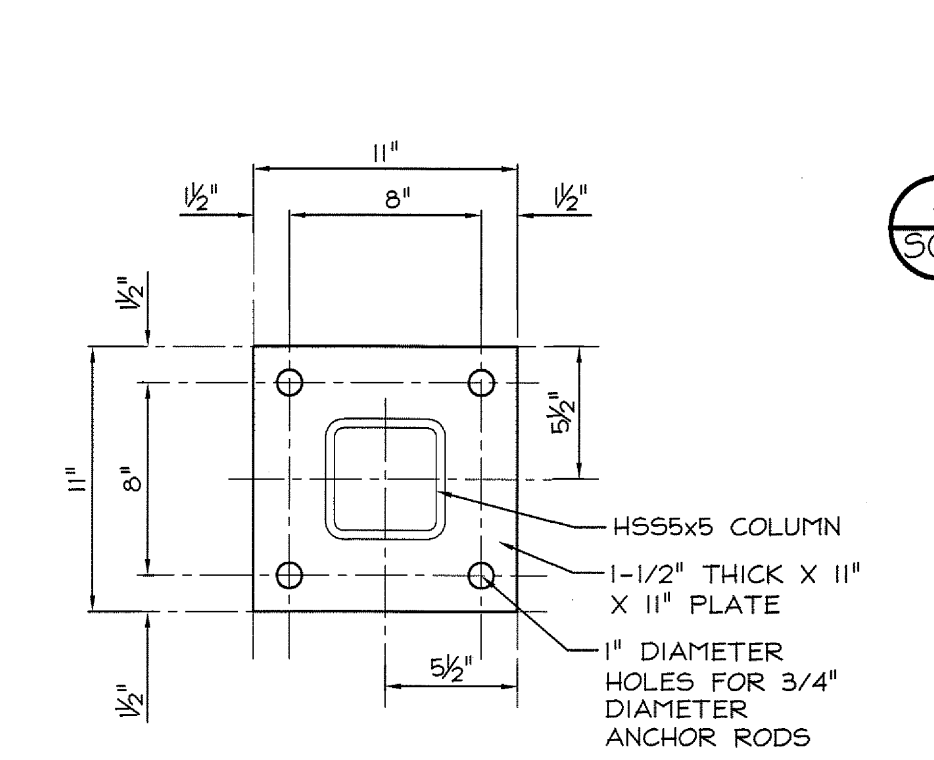
BP-2 BASEPLATE AT INTERIOR FOOTING (HSS8x8)



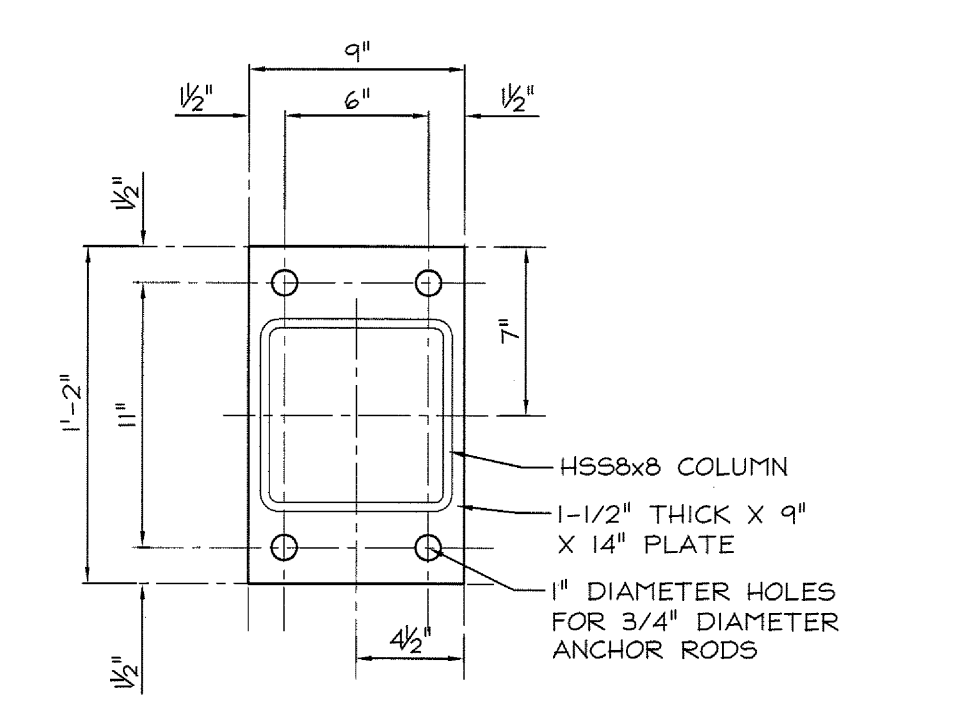
BP-3 BASEPLATE AT INTERIOR FOOTING (HSS7x7)



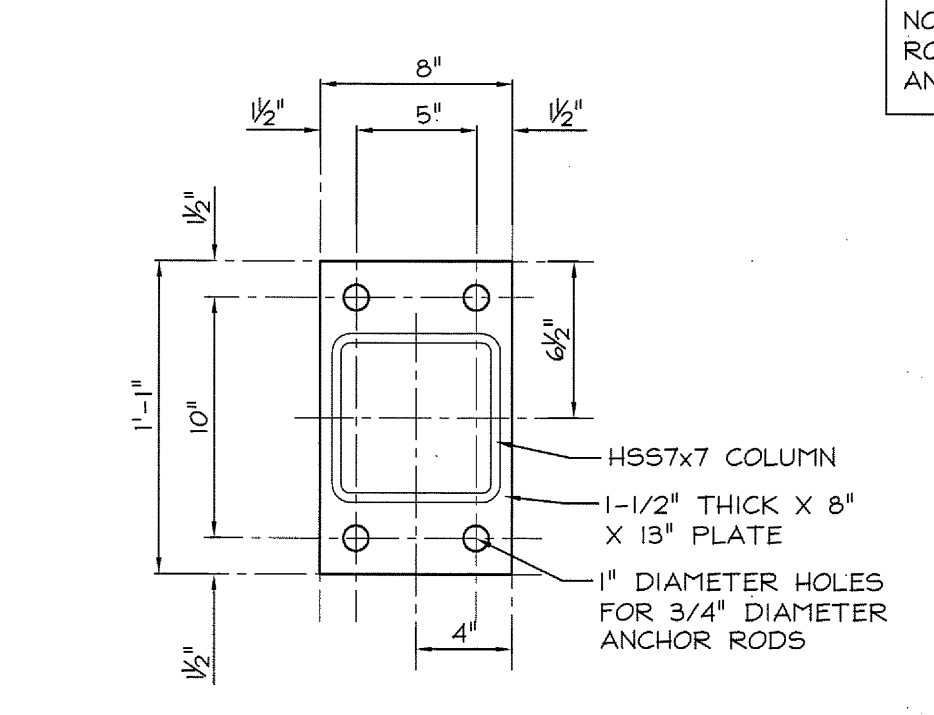
BP-4 BASEPLATE AT INTERIOR FOOTING (HSS6x6)



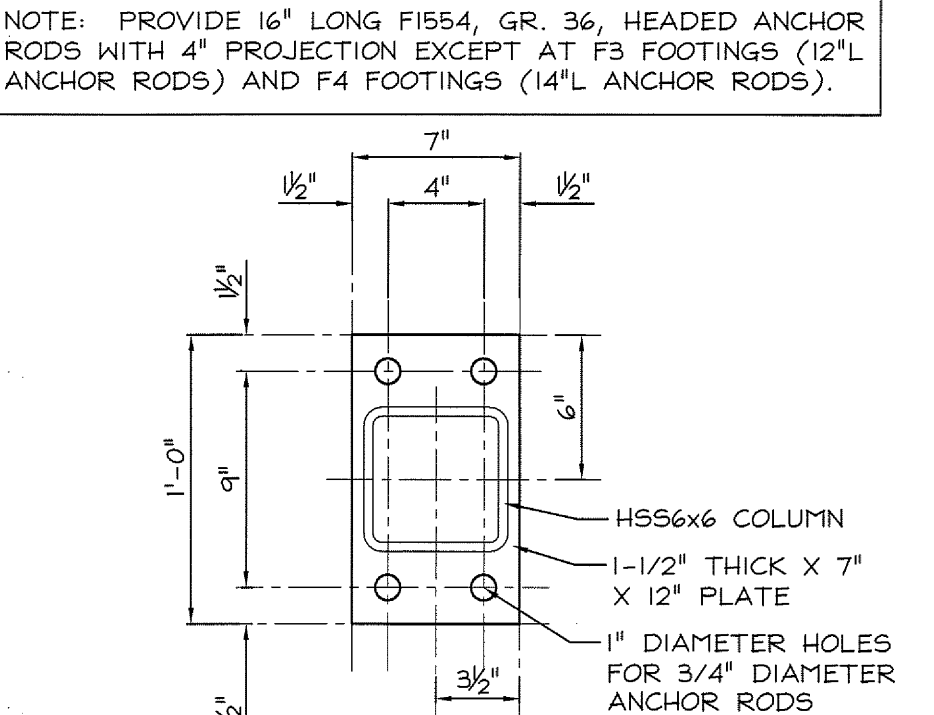
BP-5 BASEPLATE AT INTERIOR FOOTING (HSS5x5)



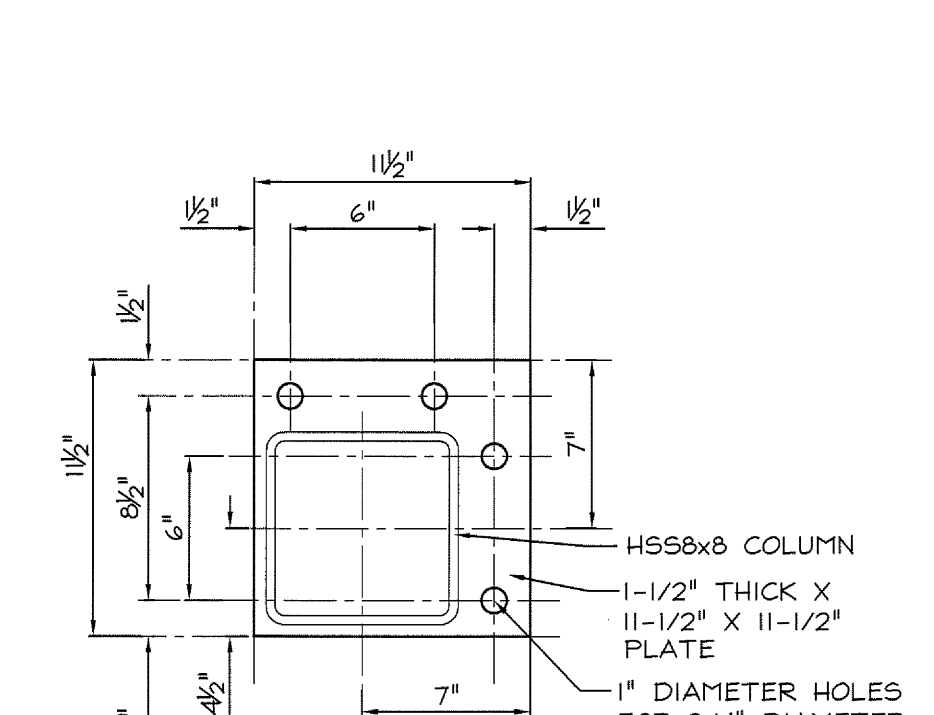
BP-6 BASEPLATE AT EXTERIOR WALL PIER (HSS8x8)



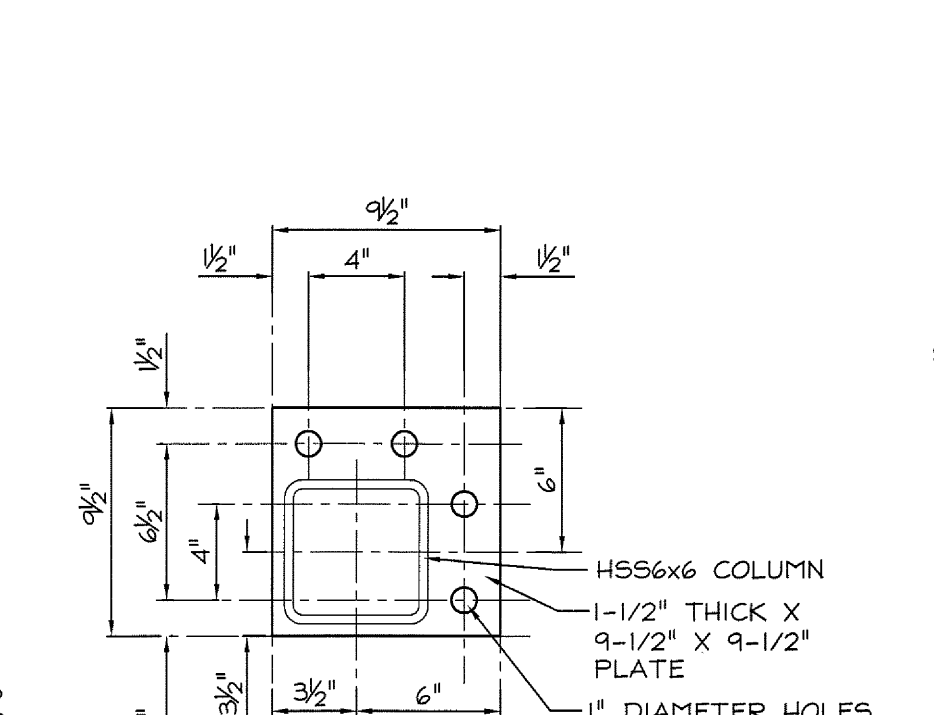
BP-7 BASEPLATE AT EXTERIOR WALL CORNER PIER (HSS8x8)



BP-8 BASEPLATE AT EXTERIOR WALL PIER (HSS6x6)



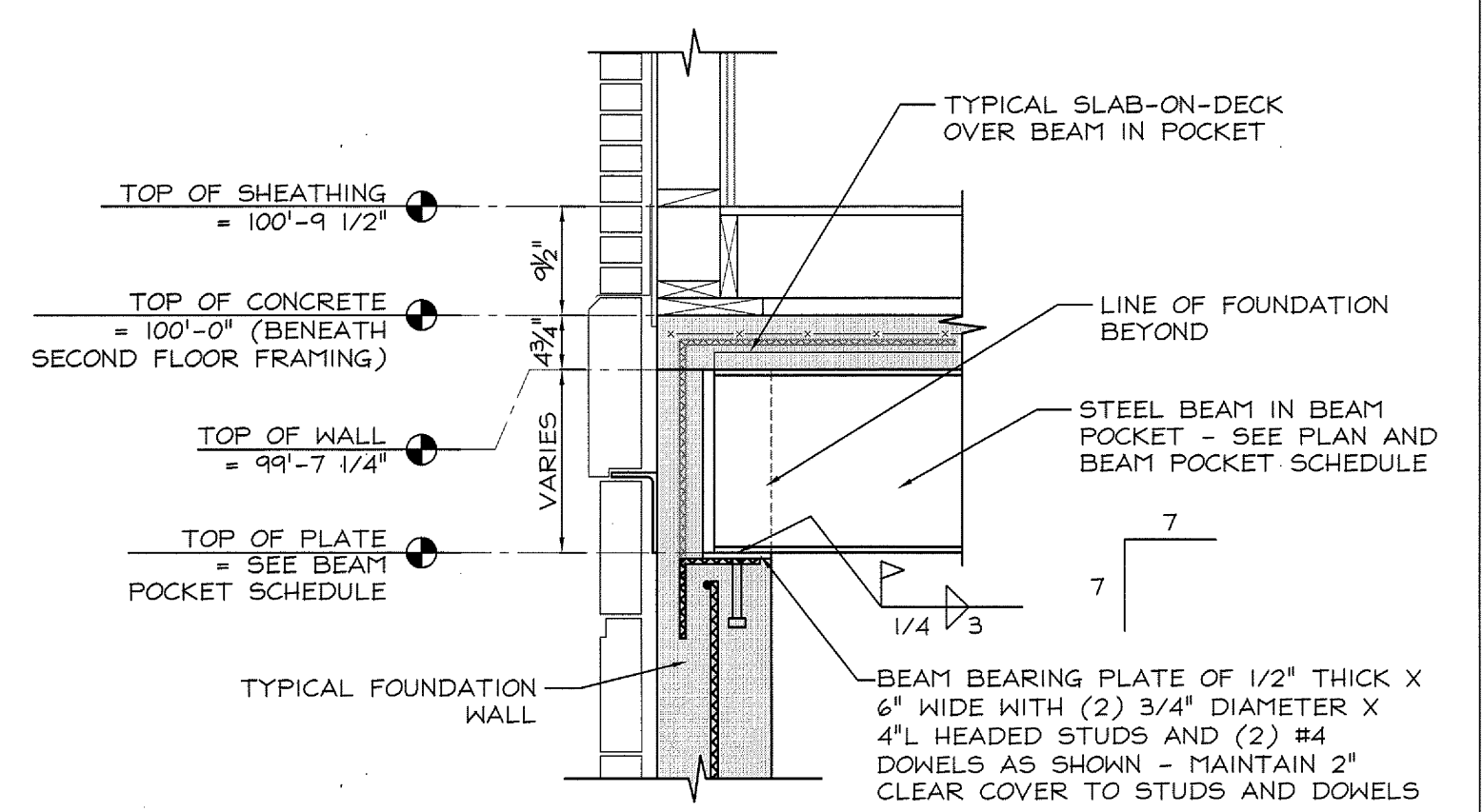
BP-9 BASEPLATE AT EXTERIOR WALL CORNER PIER (HSS8x8)



BP-10 BASEPLATE AT EXTERIOR WALL CORNER PIER (HSS6x6)

NOTE: PROVIDE 16\"/>

9 BASE PLATES
 50.2 Scale: 1-1/2\"/>



10 BEAM POCKET IN 10\"/>

