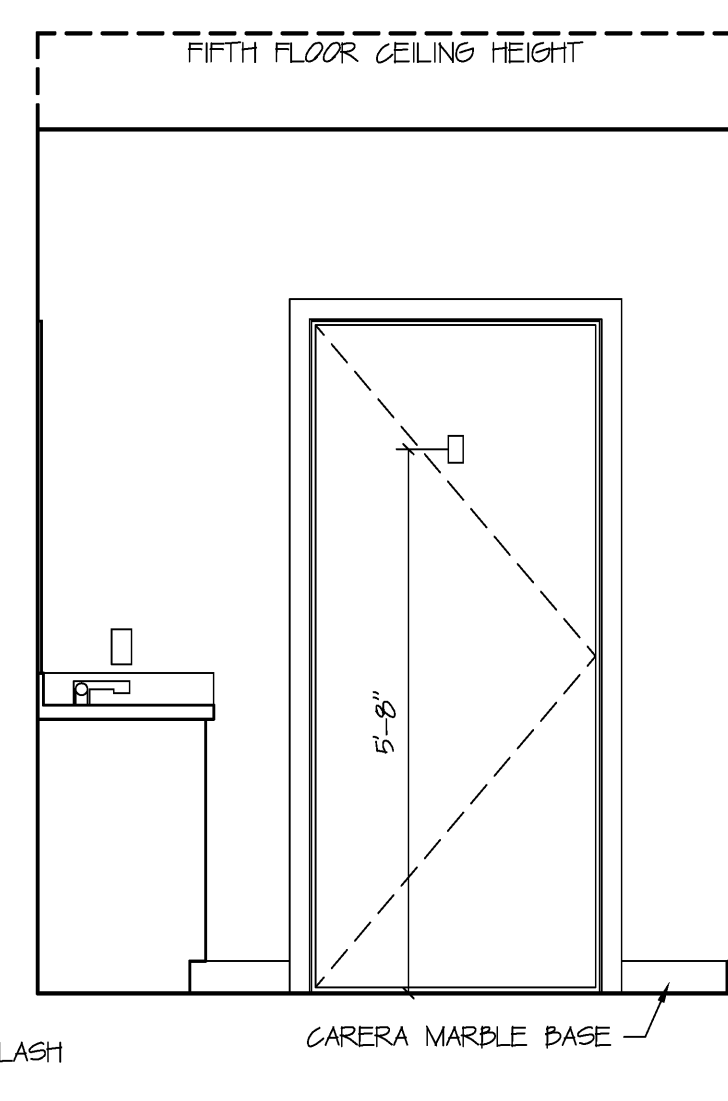


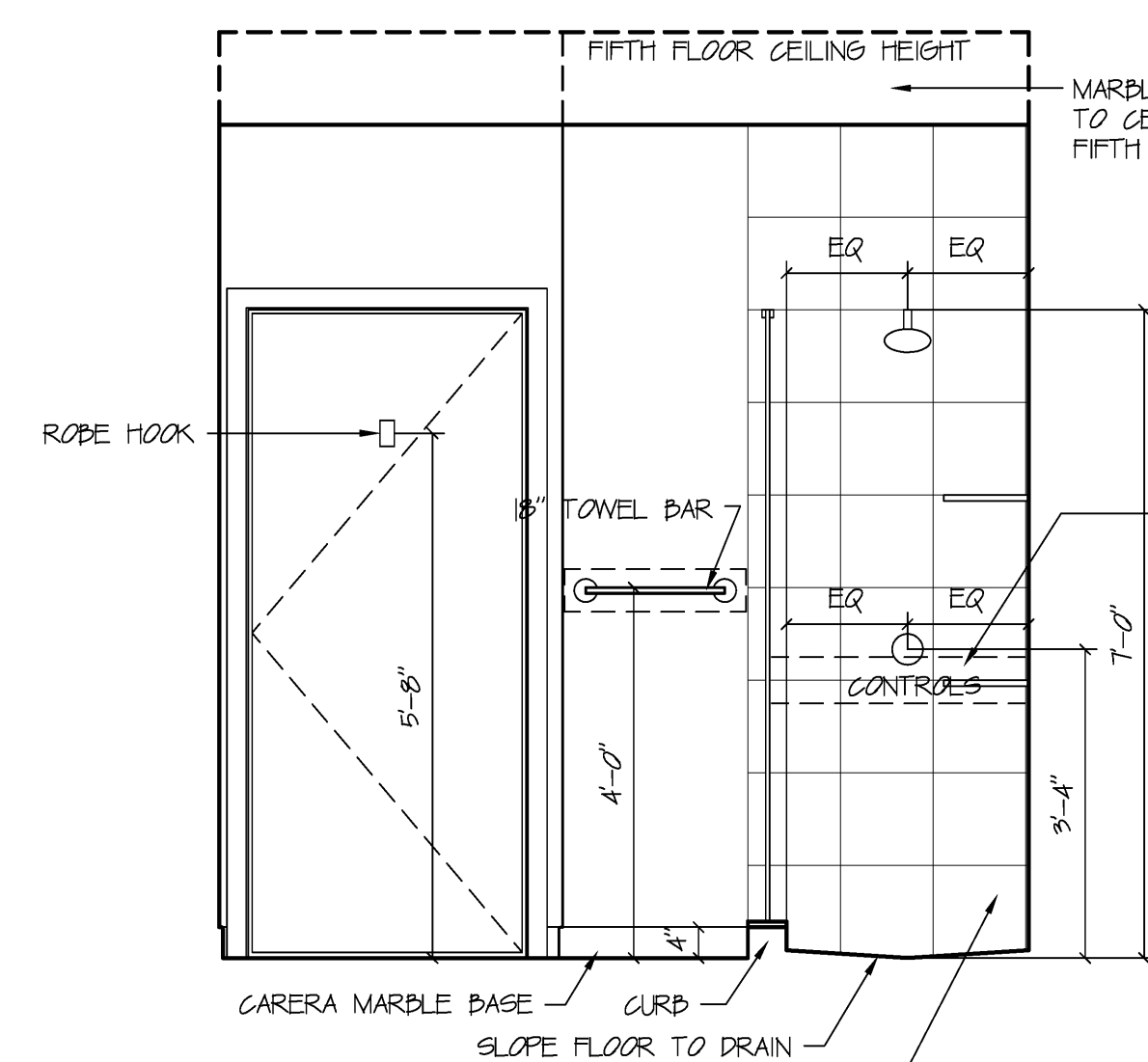
ELEVATION A

Scale: 1/2" = 1' 0



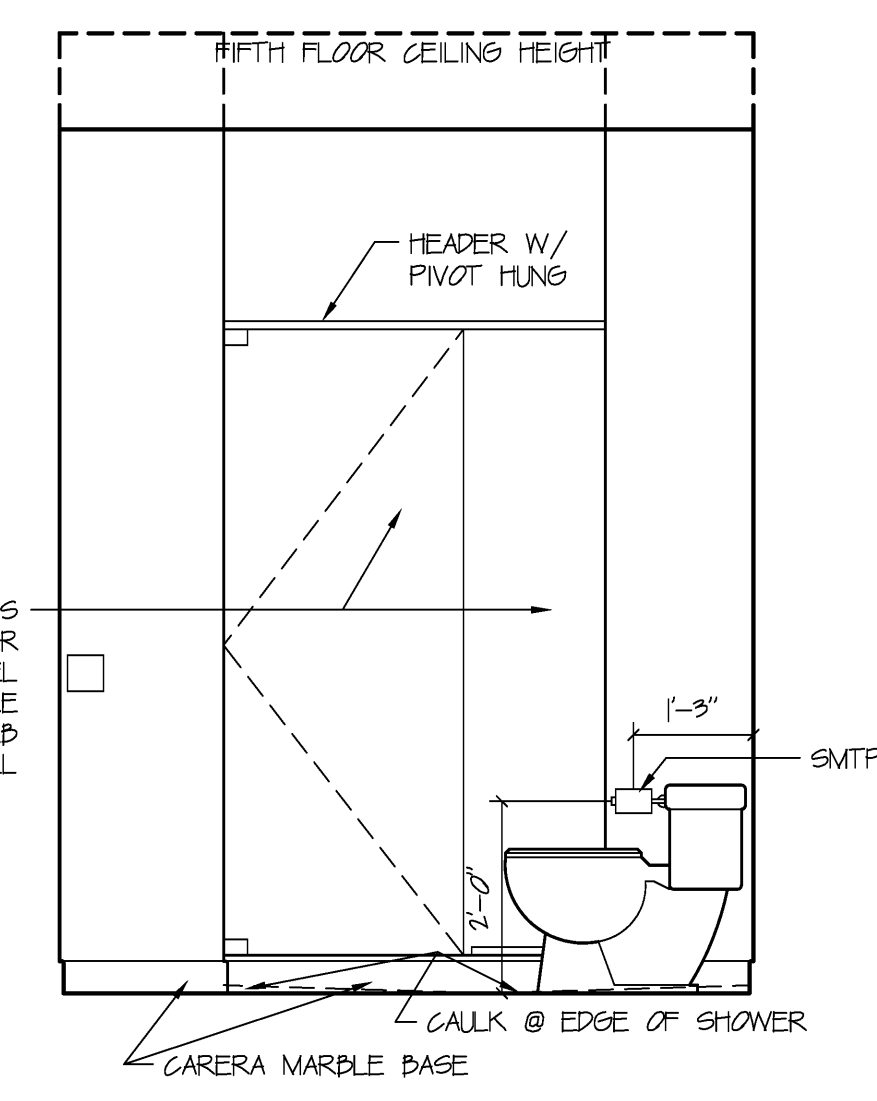
ELEVATION B

Scale: 1/2" = 1' 0



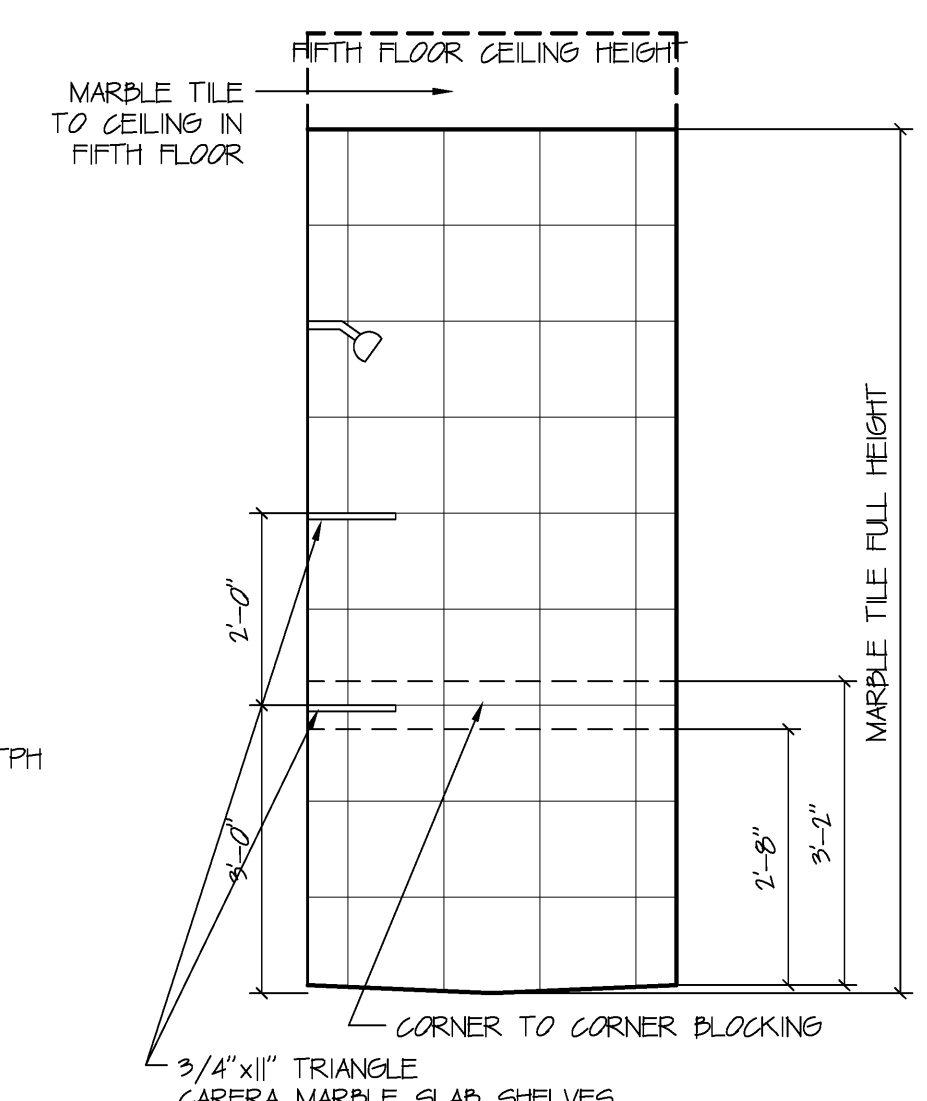
ELEVATION C

Scale: 1/2" = 1' 0



ELEVATION D

Scale: 1/2" = 1' 0

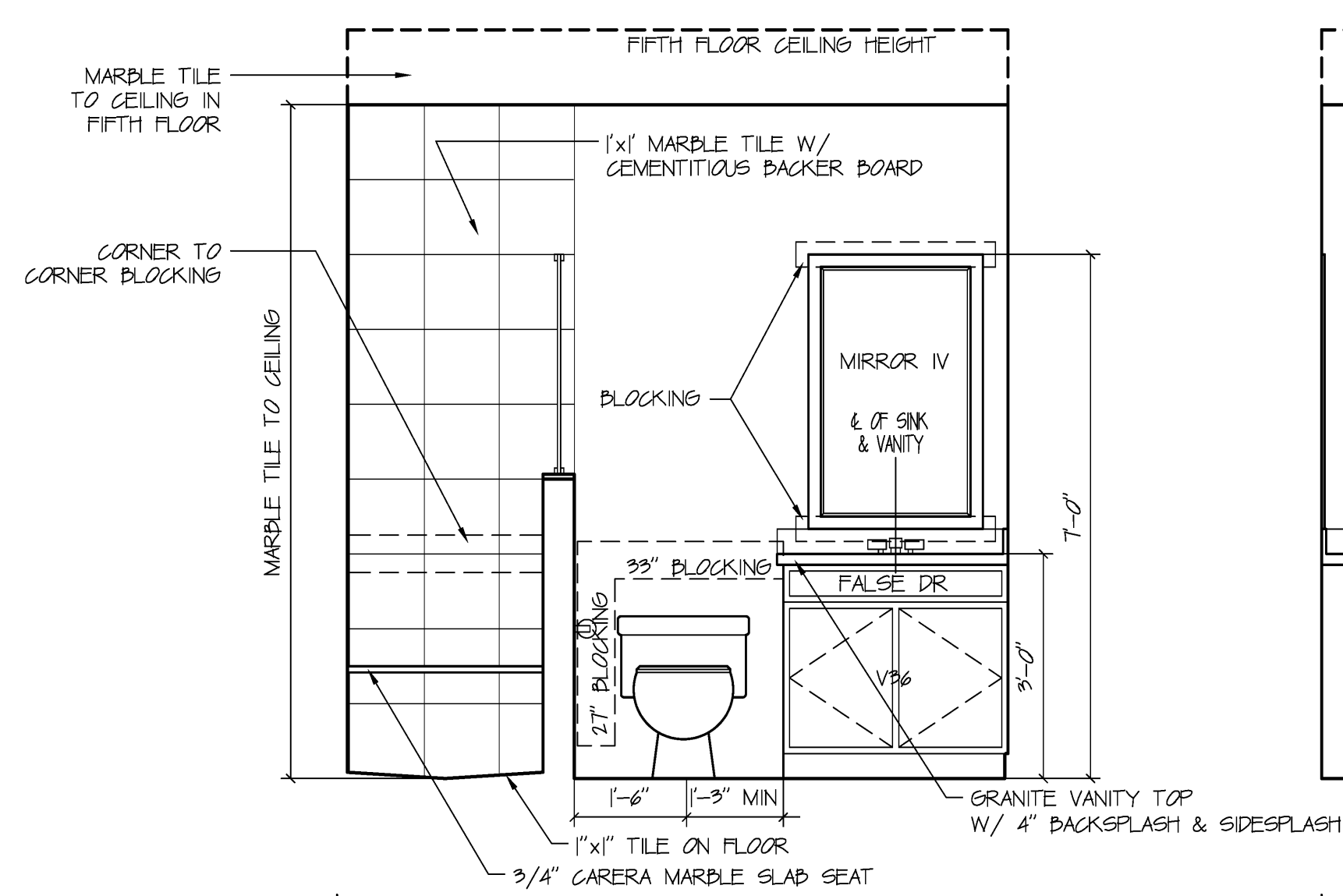


ELEVATION E

Scale: 1/2" = 1' 0

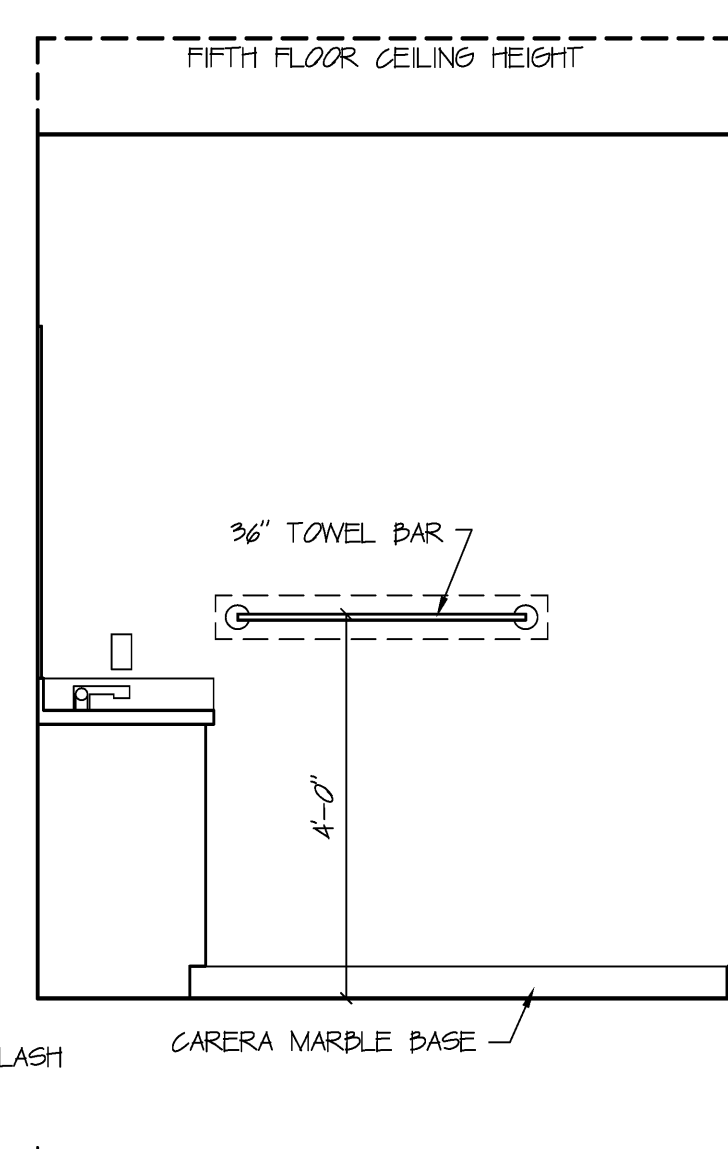
UNIT G MASTER BATH

REFER TO PLANS FOR ACTUAL ORIENTATION OF UNIT



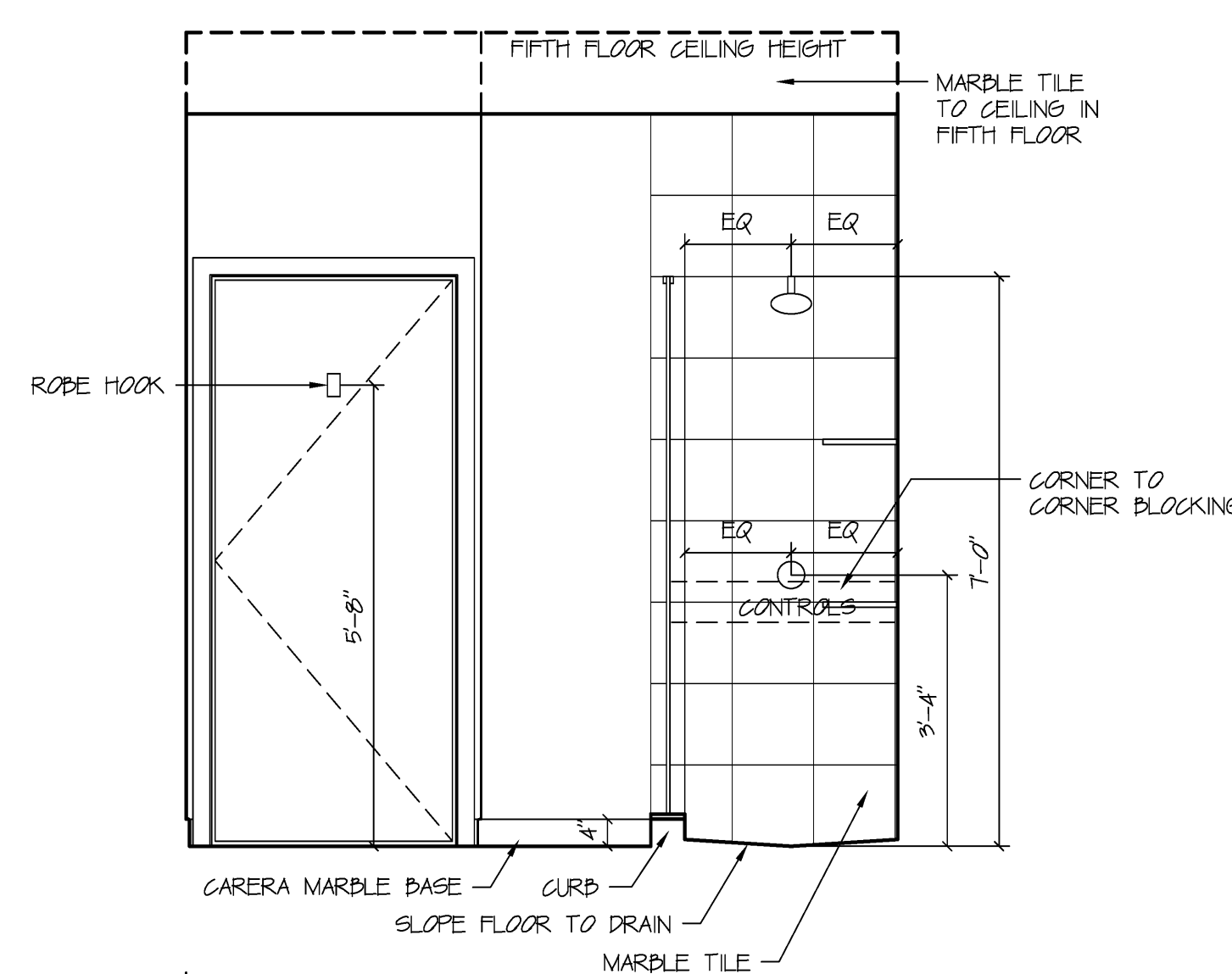
ELEVATION A

Scale: 1/2" = 1' 0



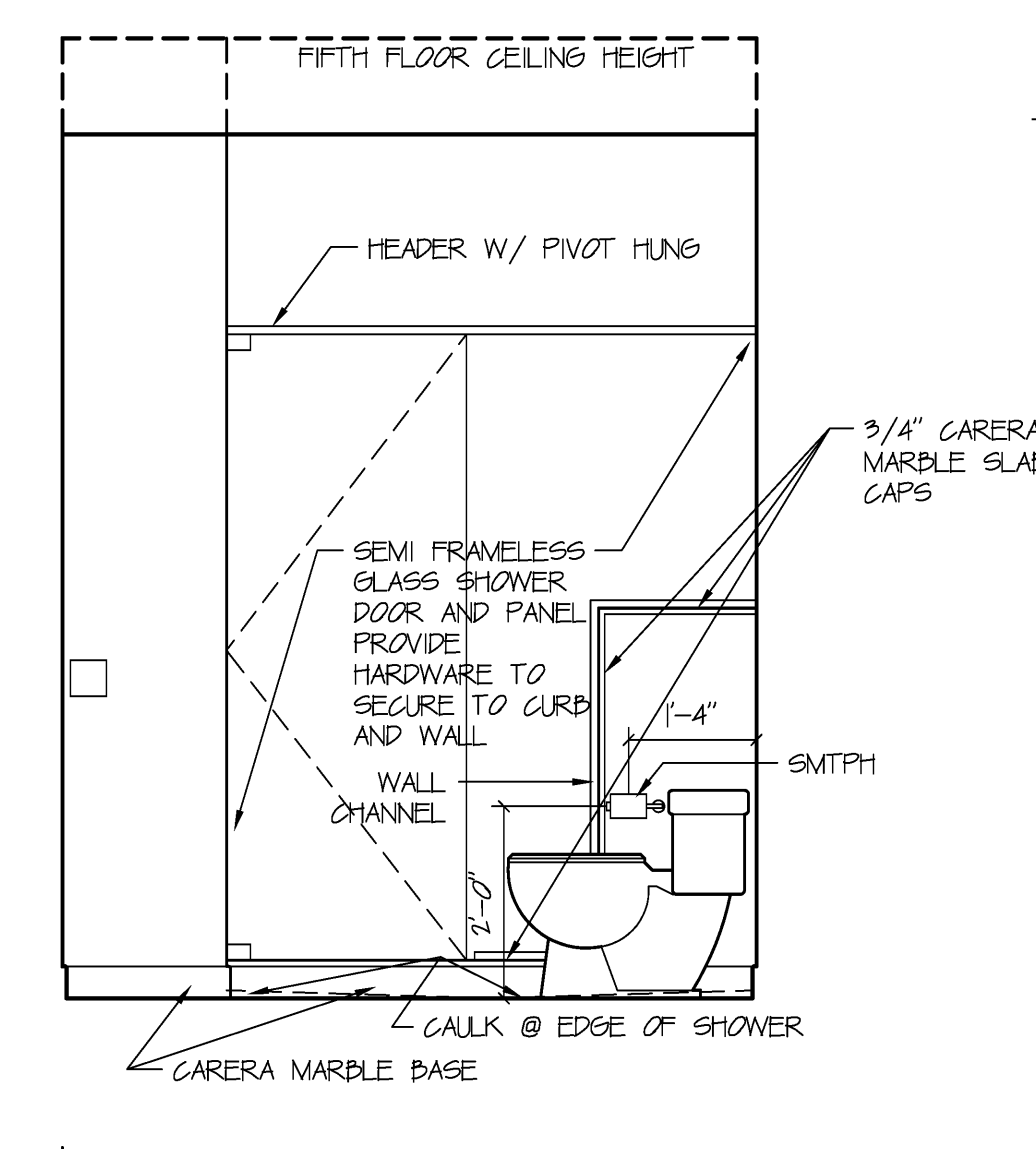
ELEVATION B

Scale: 1/2" = 1' 0



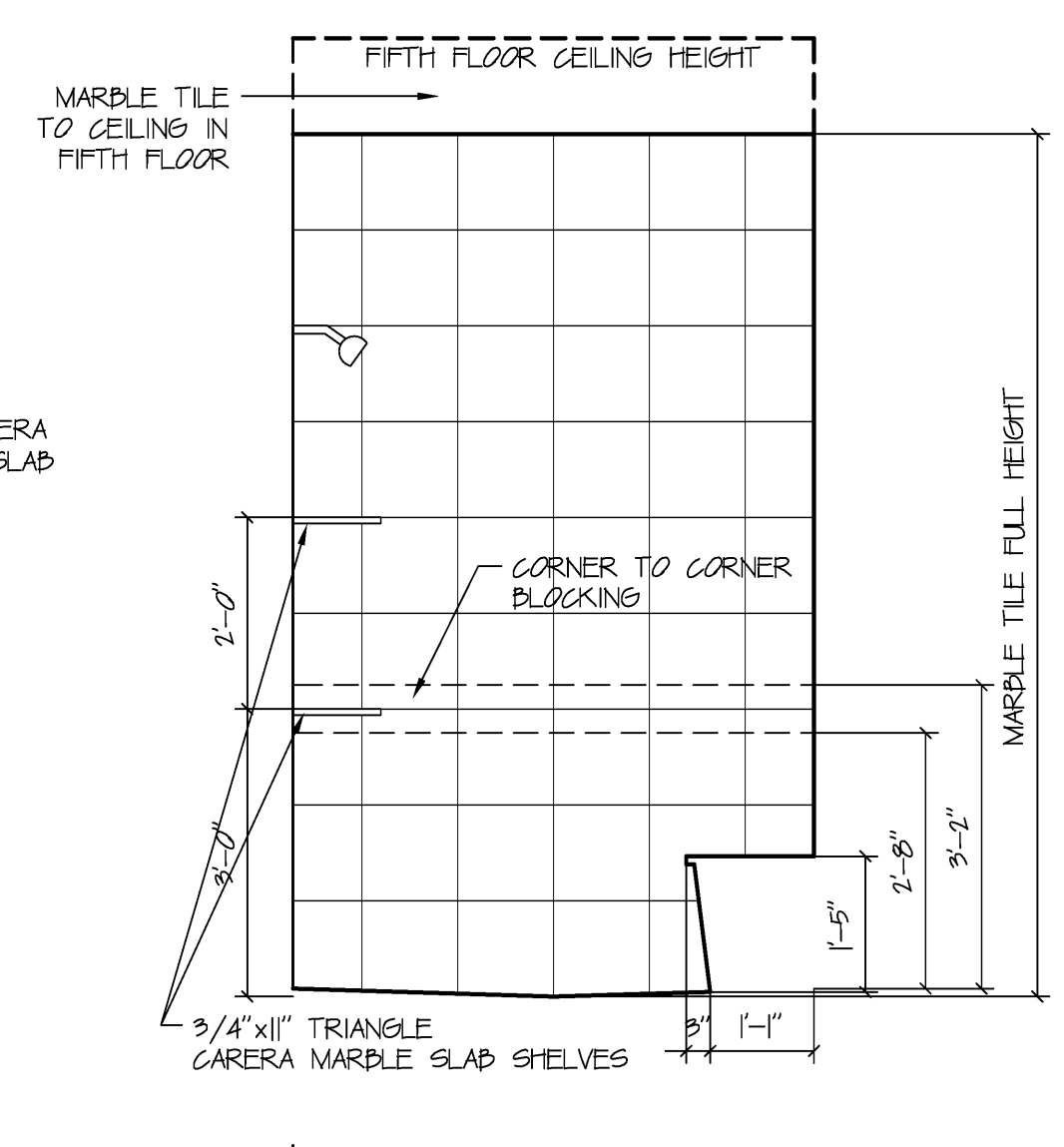
ELEVATION C

Scale: 1/2" = 1' 0



ELEVATION D

Scale: 1/2" = 1' 0

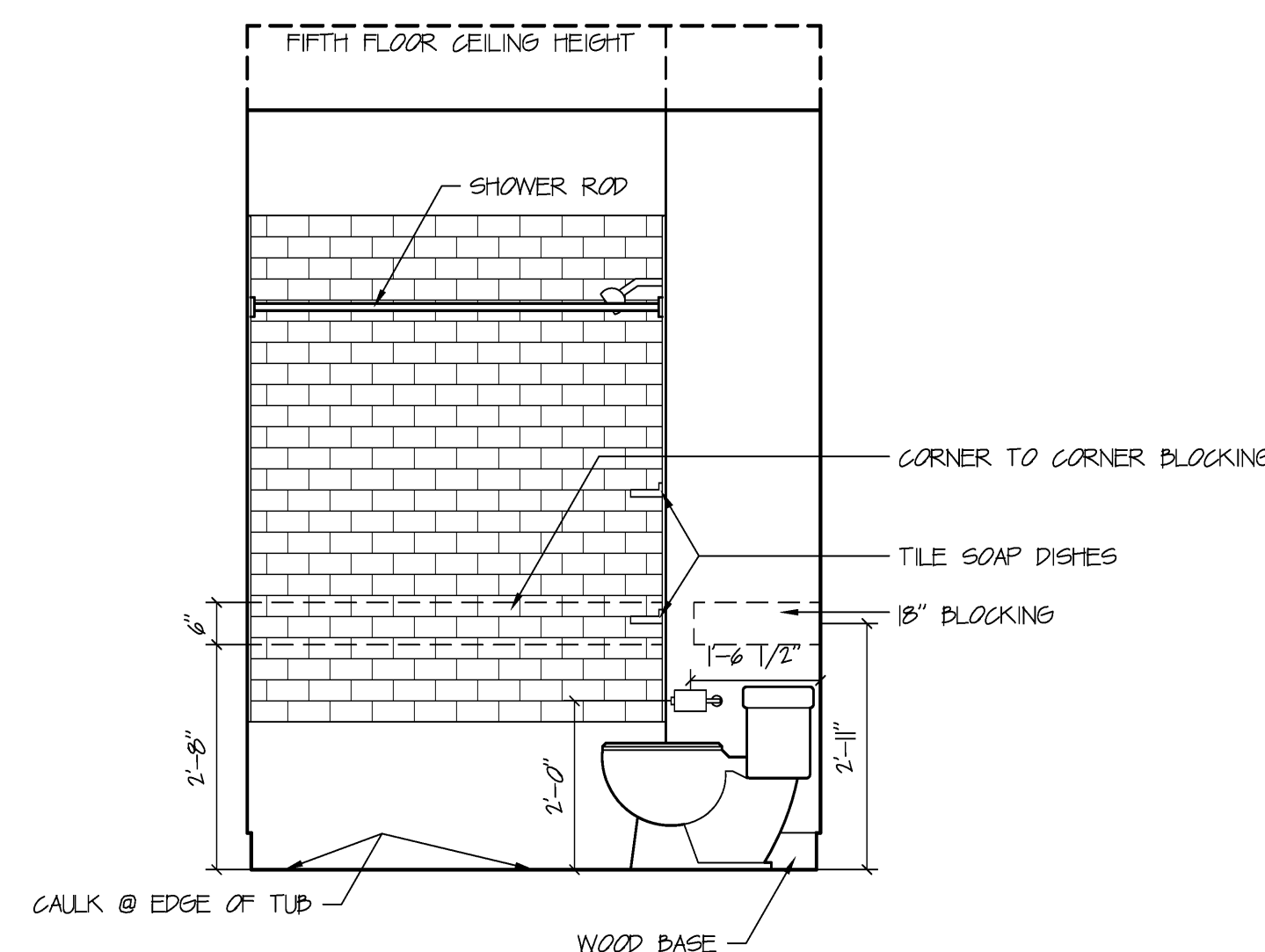


ELEVATION E

Scale: 1/2" = 1' 0

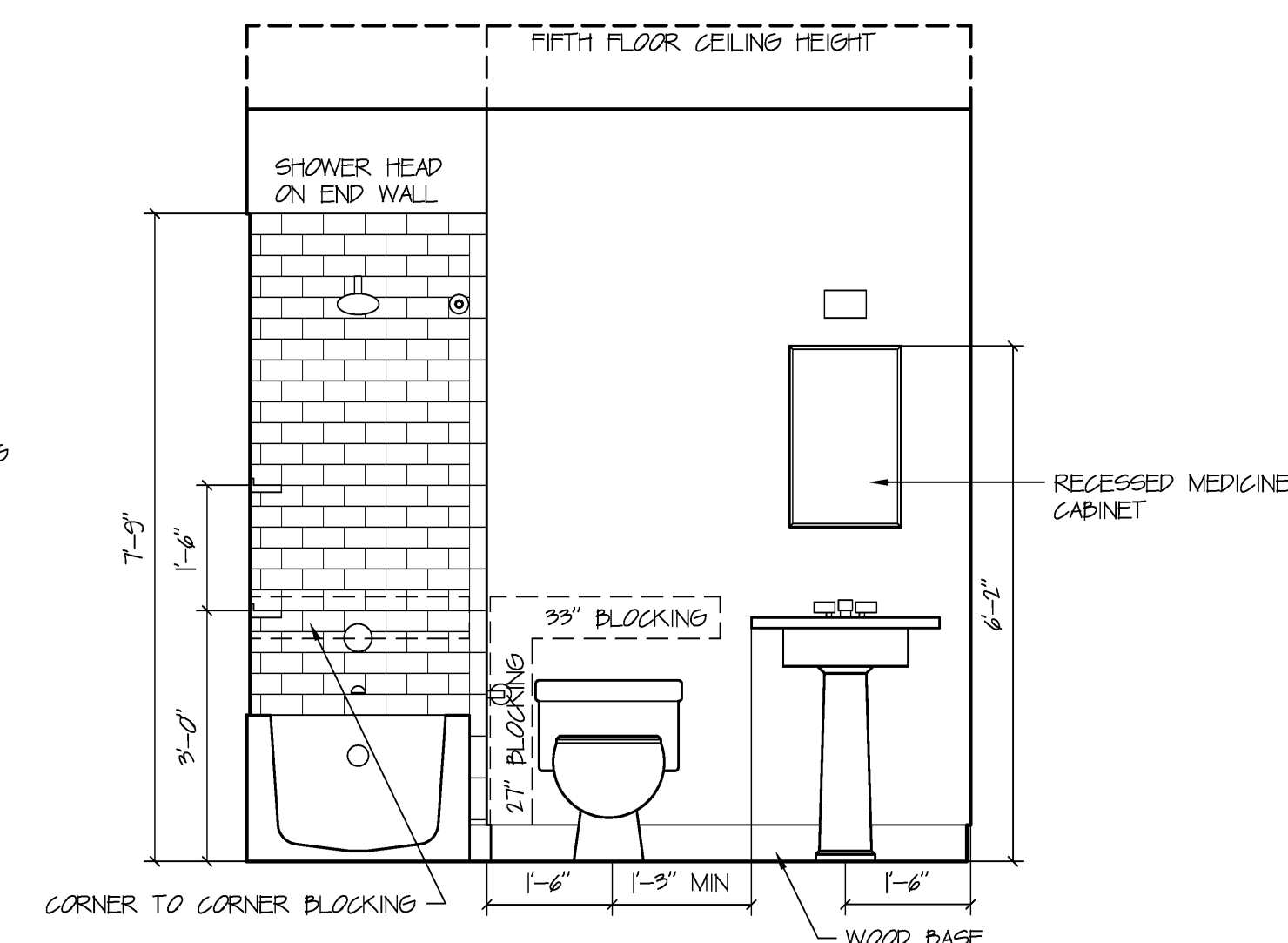
UNIT F MASTER BATH

REFER TO PLANS FOR ACTUAL ORIENTATION OF UNIT



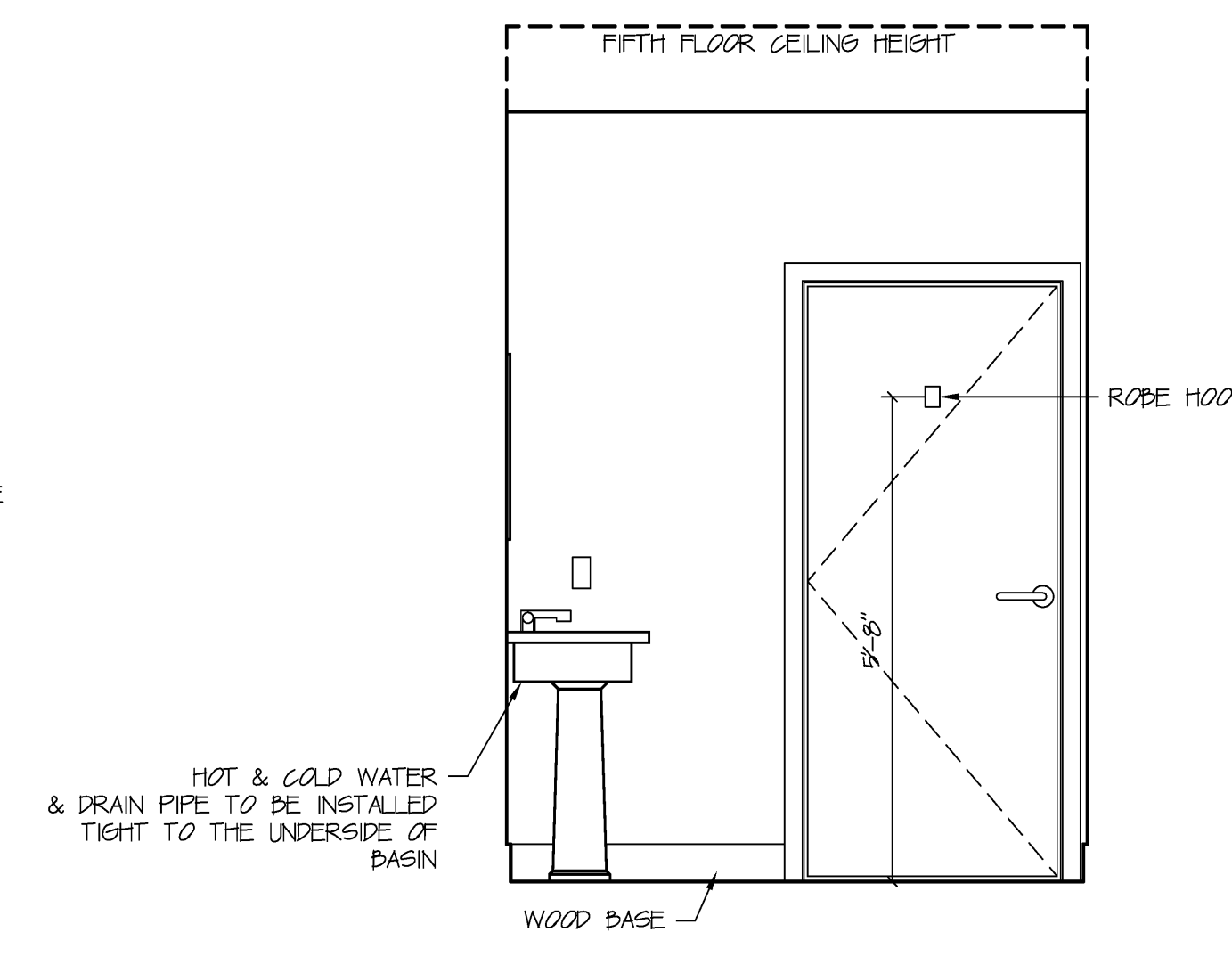
ELEVATION A

Scale: 1/2" = 1' 0



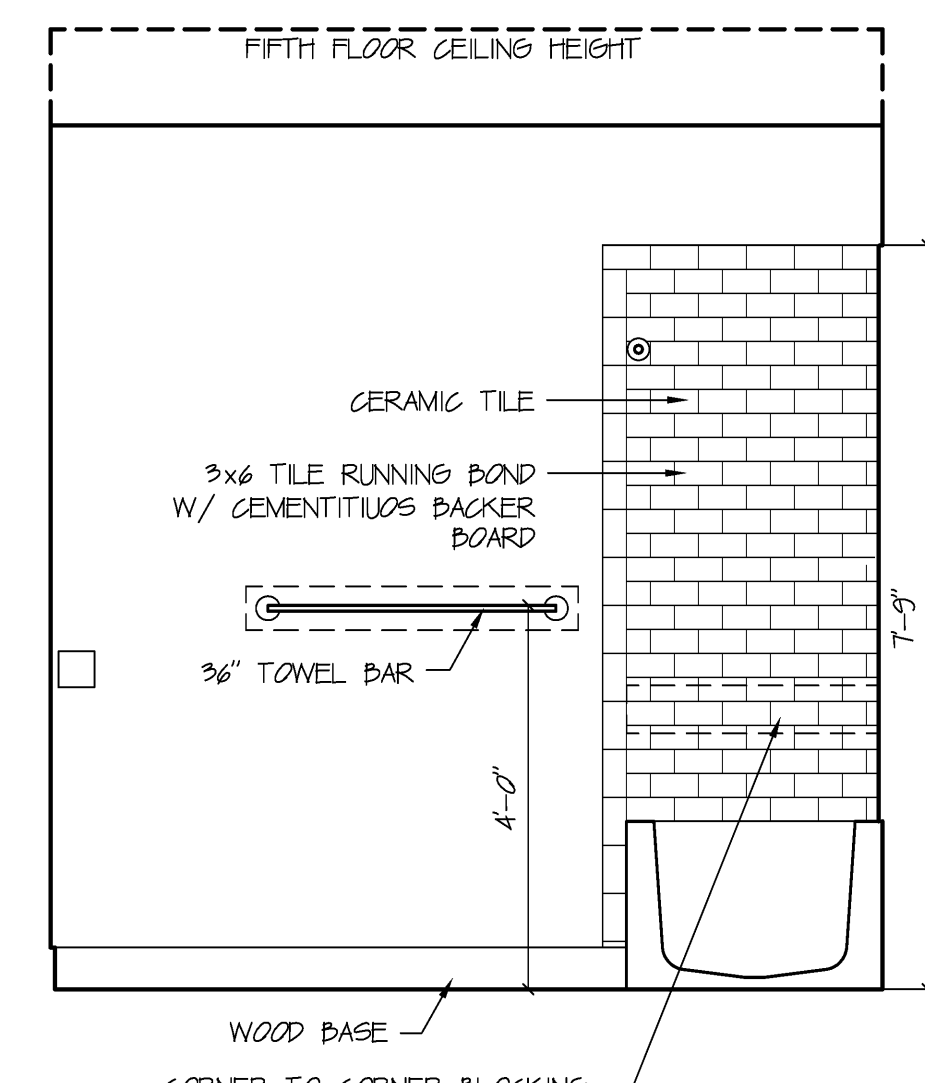
ELEVATION B

Scale: 1/2" = 1' 0



ELEVATION C

Scale: 1/2" = 1' 0



ELEVATION D

Scale: 1/2" = 1' 0

UNIT F BATH

REFER TO PLANS FOR ACTUAL ORIENTATION OF UNIT

DAVID M. WHITE, ARCHITECT  
4023 Tibbetts Hill Road  
P. O. Box 447  
Goffstown, NH 03045  
(603) 437-3405

THE VILLAGE AT OCEAN GATE, LLC  
c/o Atlas Investment Group, LLC  
95 Fay Street, Suite 107B  
Boston, MA 02118

THE BAY HOUSE  
Middle Street  
Portland, Maine

UNIT INTERIOR ELEVATIONS  
Scale: 1/2" = 1'-0"  
Commission No.: 06-008  
Date: July 15, 2008

REVISIONS:

DRG. NO.  
IE.A