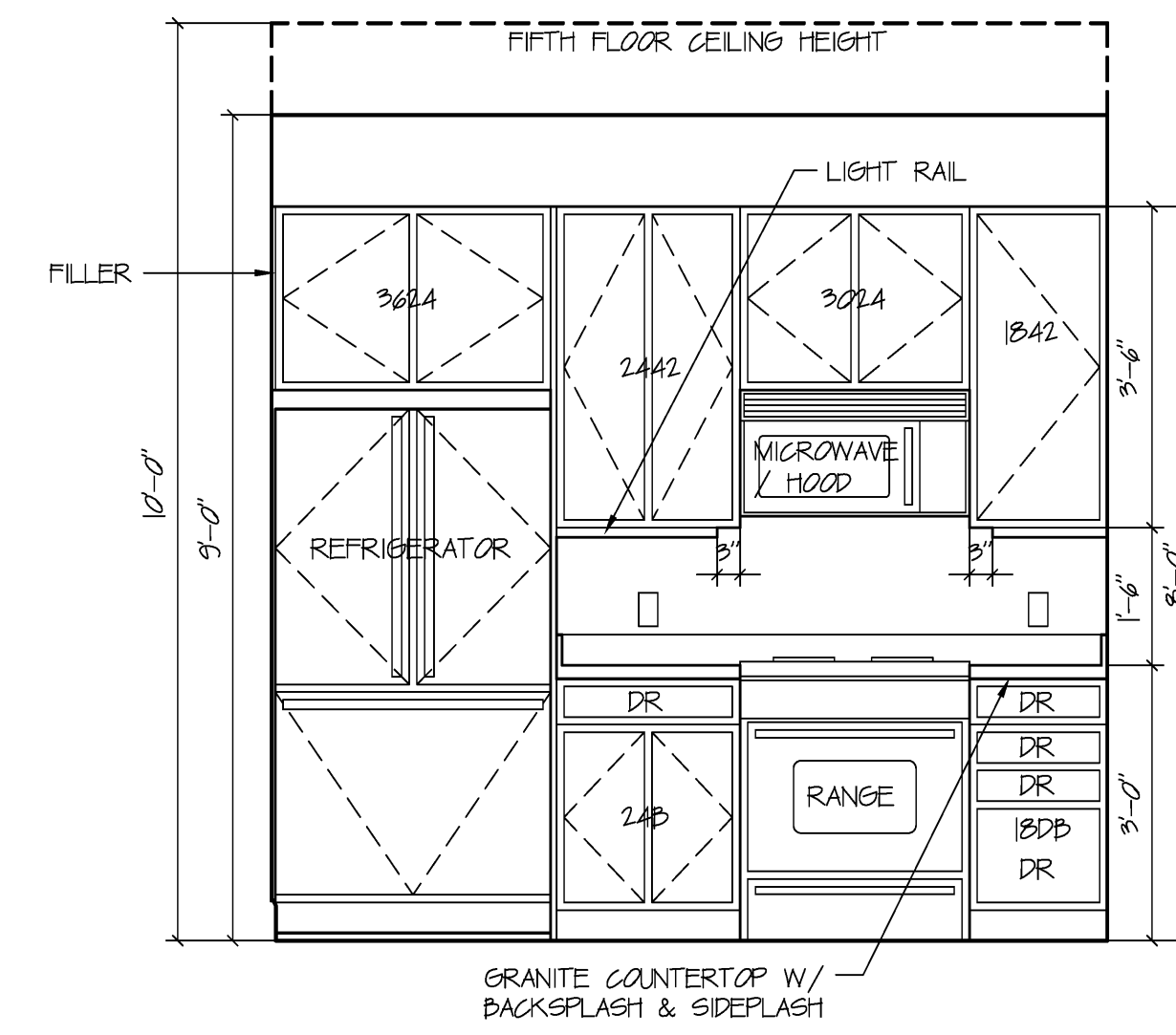


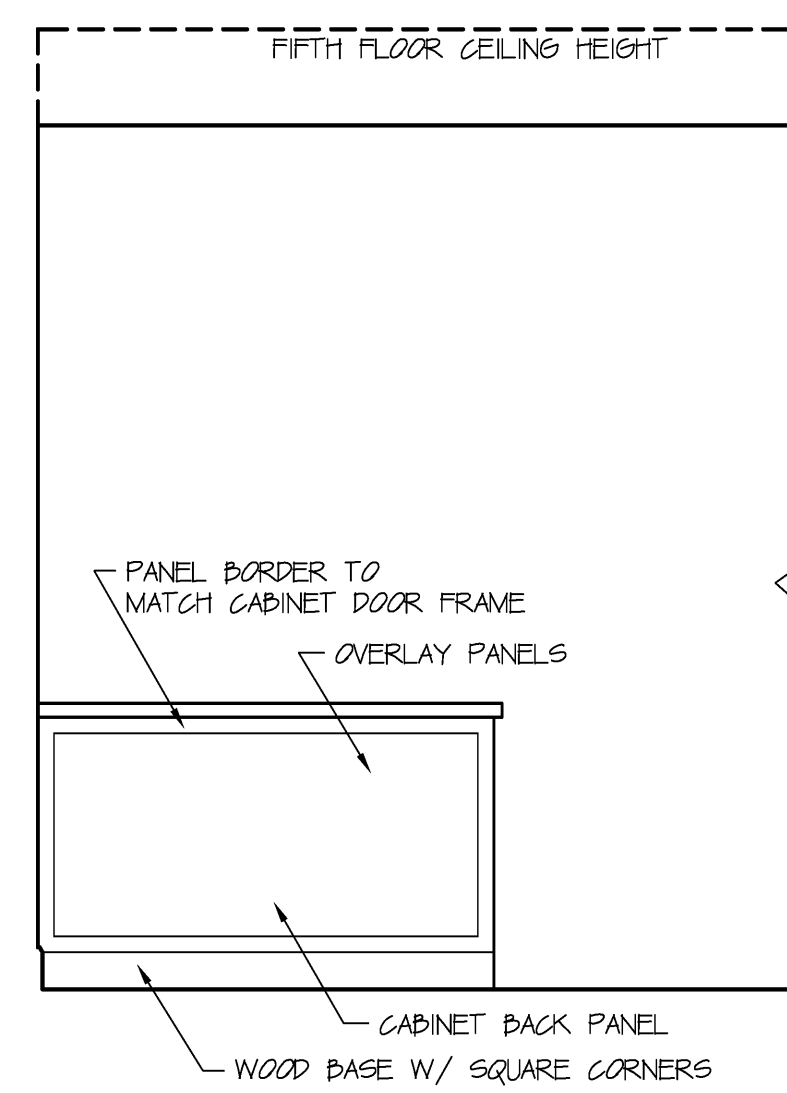
ELEVATION A
Scale: 1/2" = 1' 0"



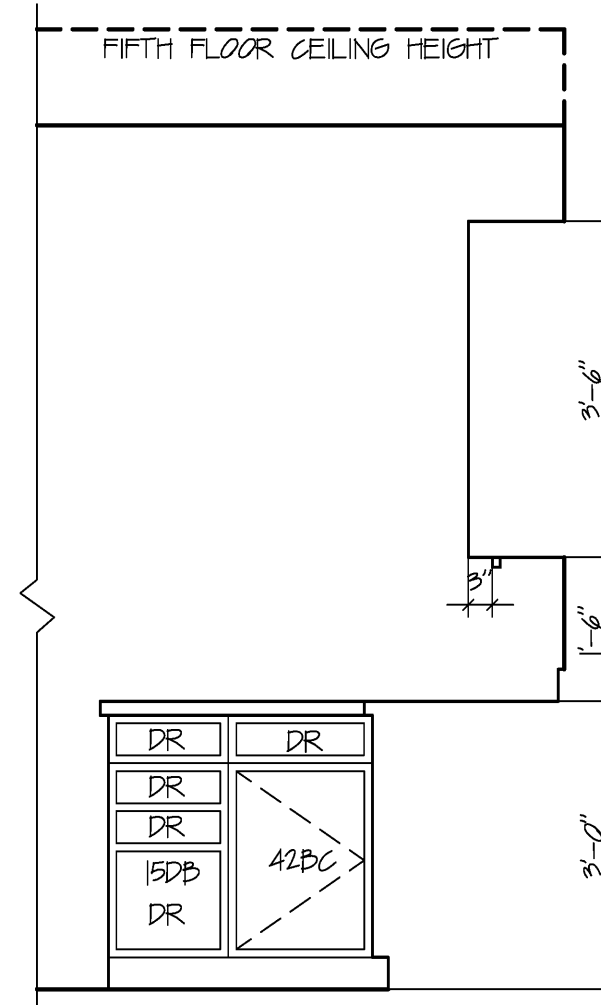
ELEVATION B
Scale: 1/2" = 1' 0"

NOTE:
REFER TO FLOOR PLANS FOR
ORIENTATION OF UNIT

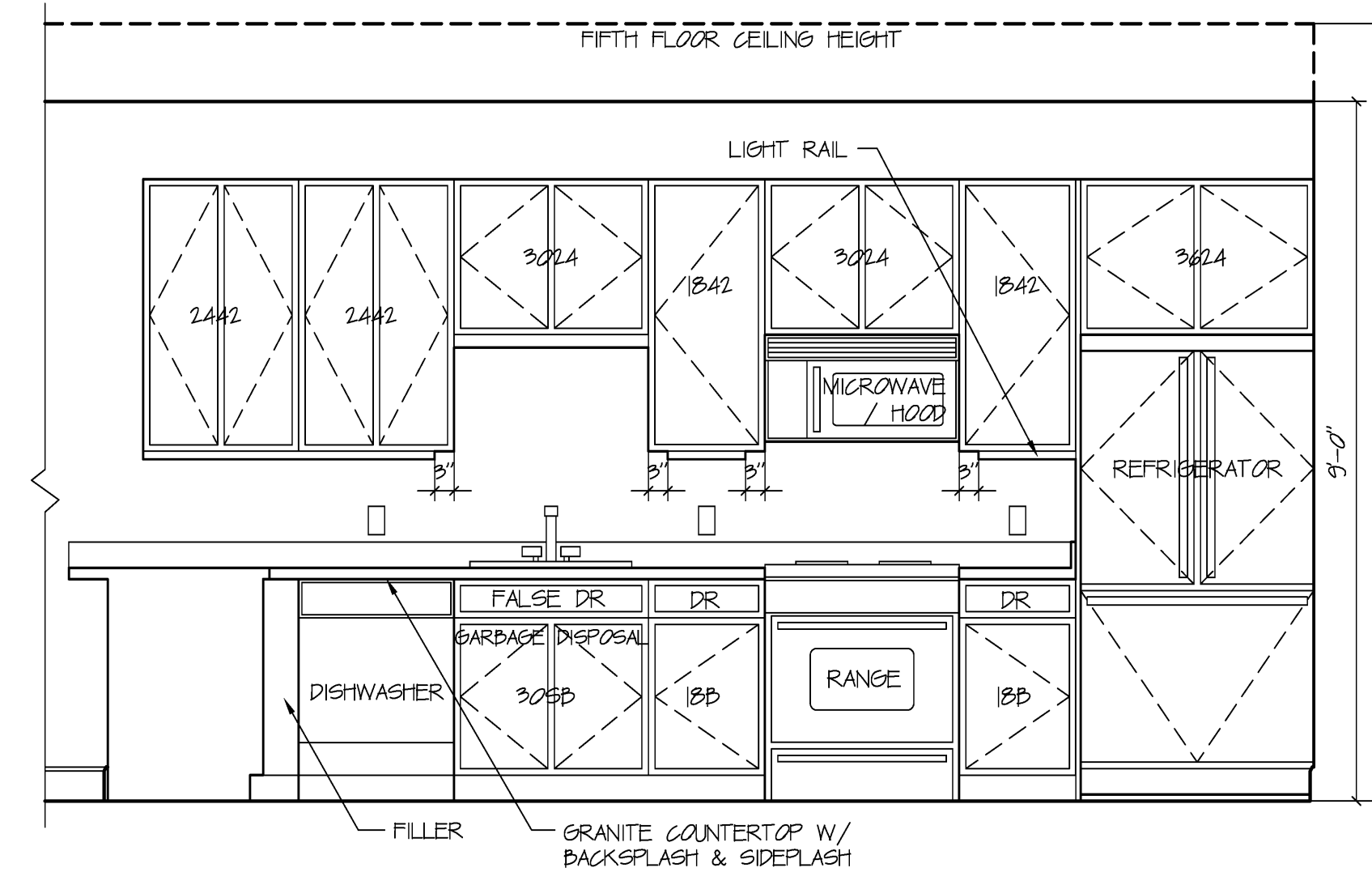
UNIT F, G, K & KI KITCHEN



ELEVATION FROM DINING AREA
Scale: 1/2" = 1' 0"



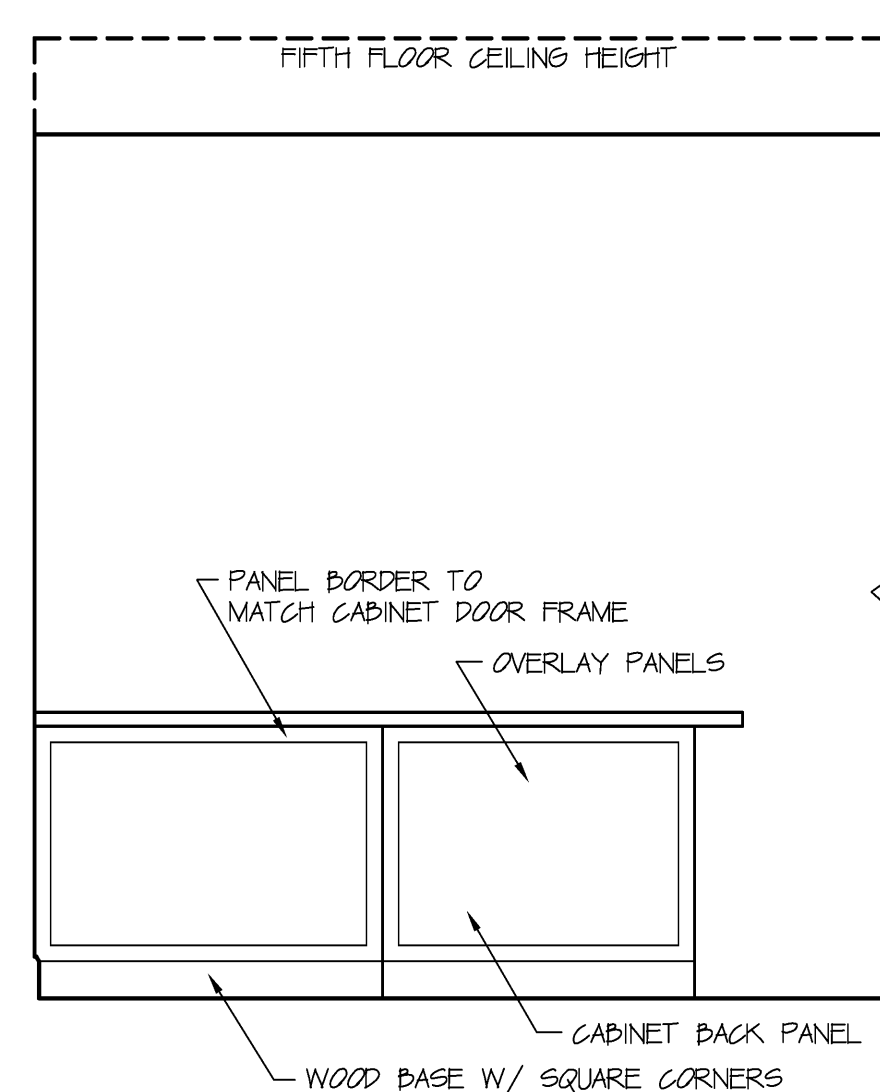
ELEVATION A
Scale: 1/2" = 1' 0"



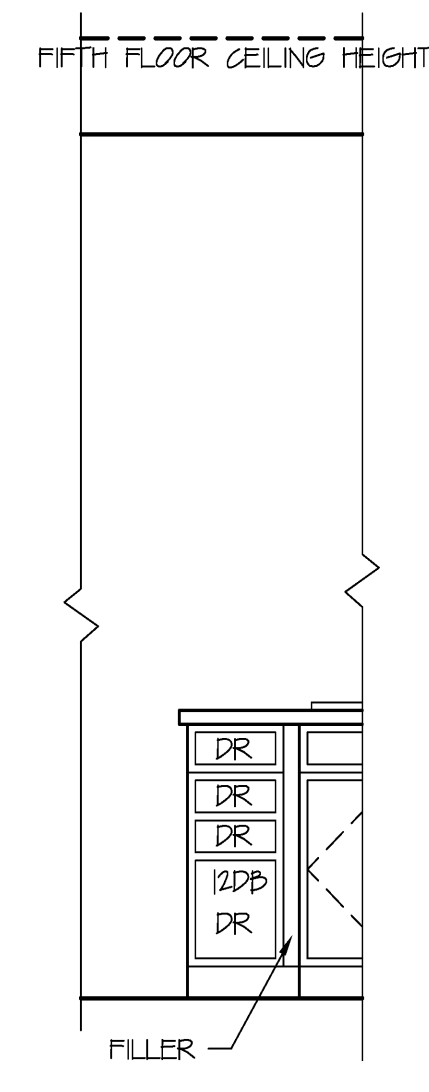
ELEVATION B
Scale: 1/2" = 1' 0"

NOTE:
REFER TO FLOOR PLANS FOR
ORIENTATION OF UNIT

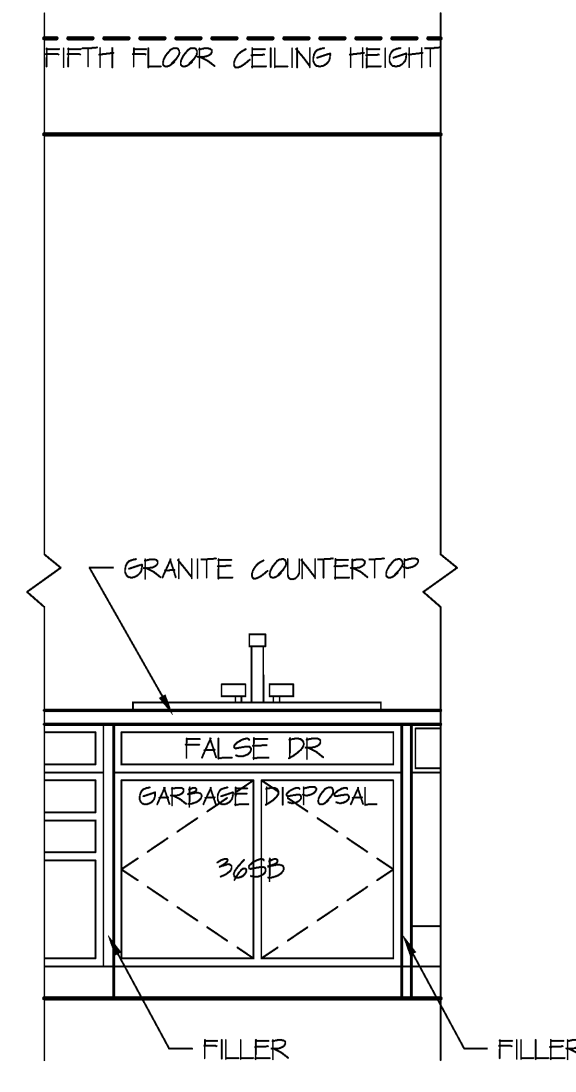
UNIT E KITCHEN



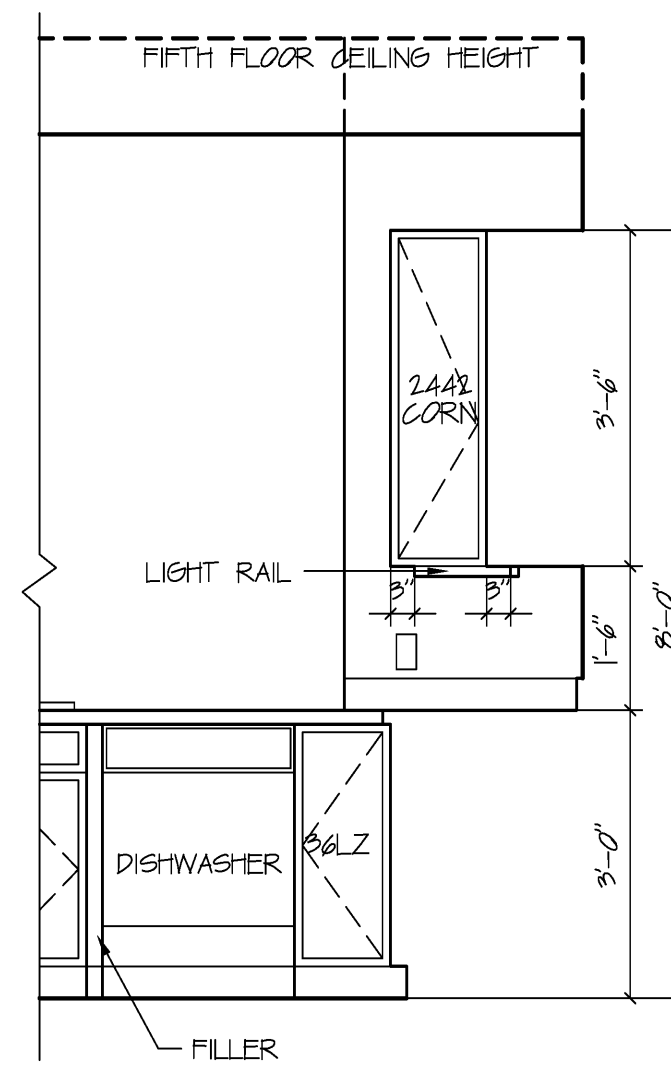
ELEVATION FROM DINING AREA
Scale: 1/2" = 1' 0"



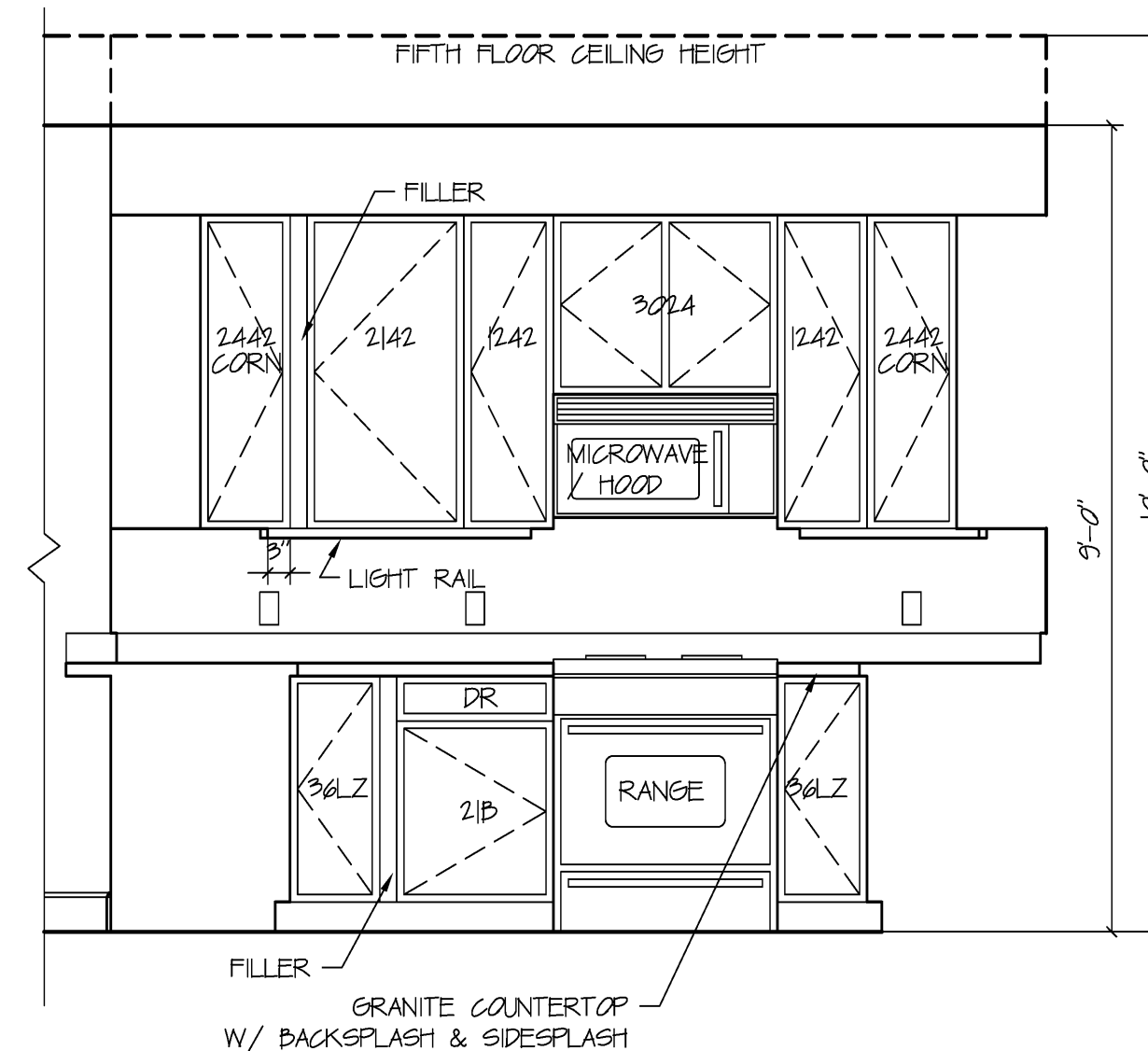
ELEVATION A
Scale: 1/2" = 1' 0"



ELEVATION B
Scale: 1/2" = 1' 0"

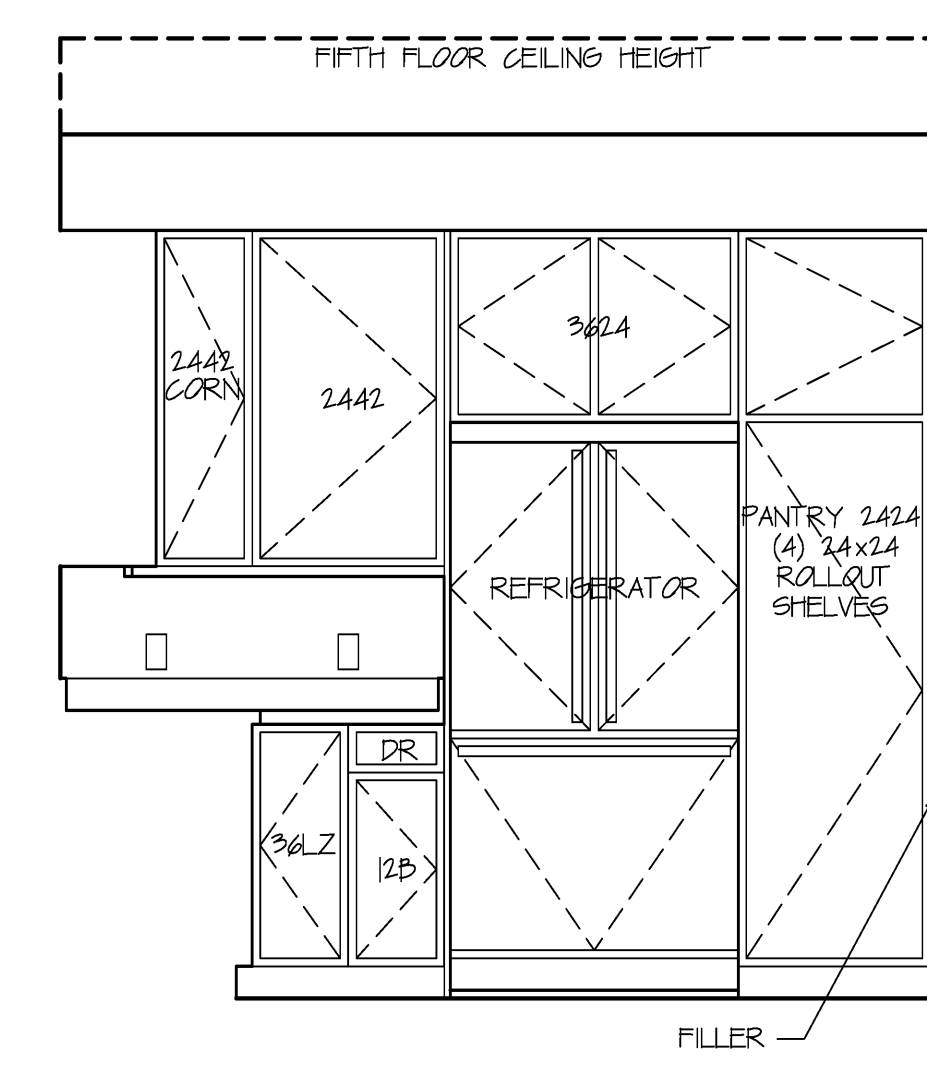


ELEVATION C
Scale: 1/2" = 1' 0"



ELEVATION D
Scale: 1/2" = 1' 0"

NOTE:
REFER TO FLOOR PLANS FOR
ORIENTATION OF UNIT



ELEVATION E
Scale: 1/2" = 1' 0"

UNIT A, B, D, L & M KITCHEN

DAVID M. WHITE, ARCHITECT
4029 Tibbetts Hill Road
P. O. Box 447
Goffstown, NH 03045
(603) 437-3405

THE VILLAGE AT OCEAN GATE, LLC
c/o Atlas Investment Group, LLC
95 Fay Street, Suite 107B
Boston, MA 02118

THE BAY HOUSE
Middle Street
Portland, Maine

COMMON AREA
INTERIOR ELEVATIONS
Scale: 1/2" = 1'-0"
Commission No.: 06-008
Date: July 15, 2008

REVISIONS:

DRG. NO.
IE.10