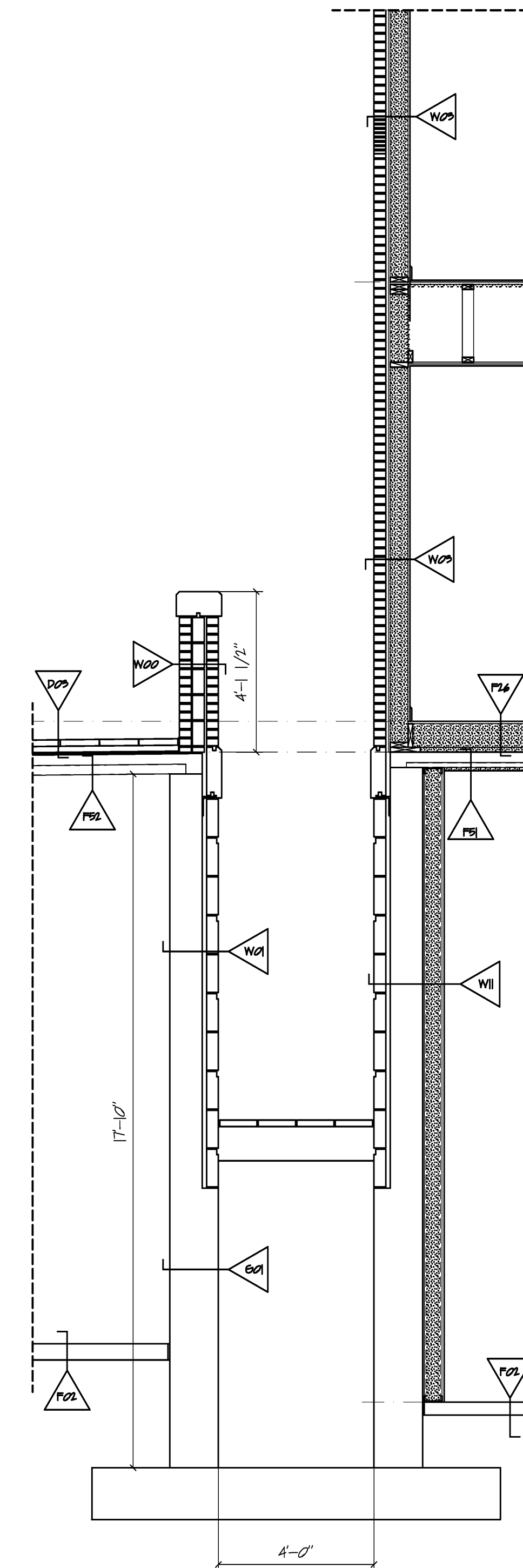


SECTION 36
SCALE: 3/8" = 1' 0"



SECTION 37
SCALE: 3/8" = 1' 0"

DAVID M. WHITE, ARCHITECT
4029 Tibbetts Hill Road
P. O. Box 447
Goffstown, NH 03045
(603) 437-3425

THE VILLAGE AT OCEAN GATE, LLC
c/o Atlas Investment Group, LLC
35 Fay Street, Suite 107B
Boston, MA 02118

THE BAY HOUSE
Middle Street
Portland, Maine

SECTIONS 36 & 37
Scale: 3/8" = 1'-0"
Commission No.: 06-008
Date: July 15, 2008

REVISIONS:

DRG. NO.
GARAGE LEVEL

ESC.20