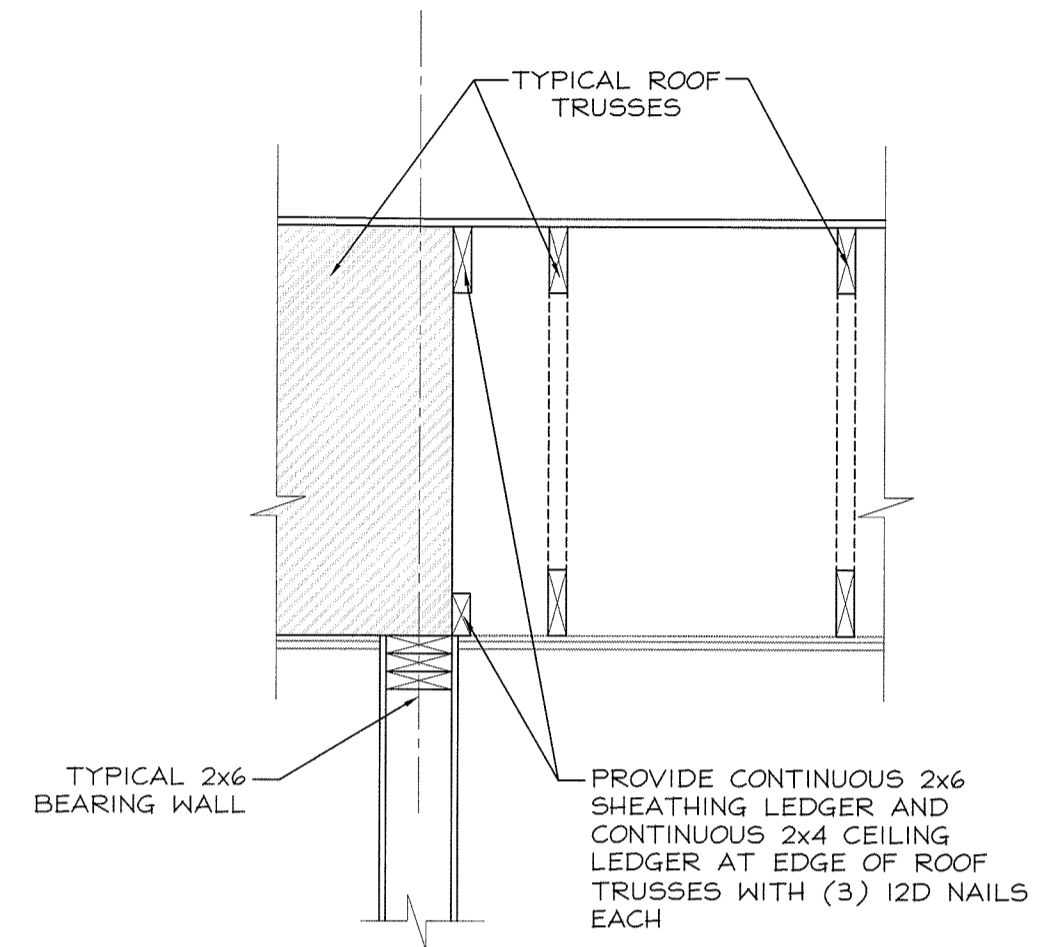
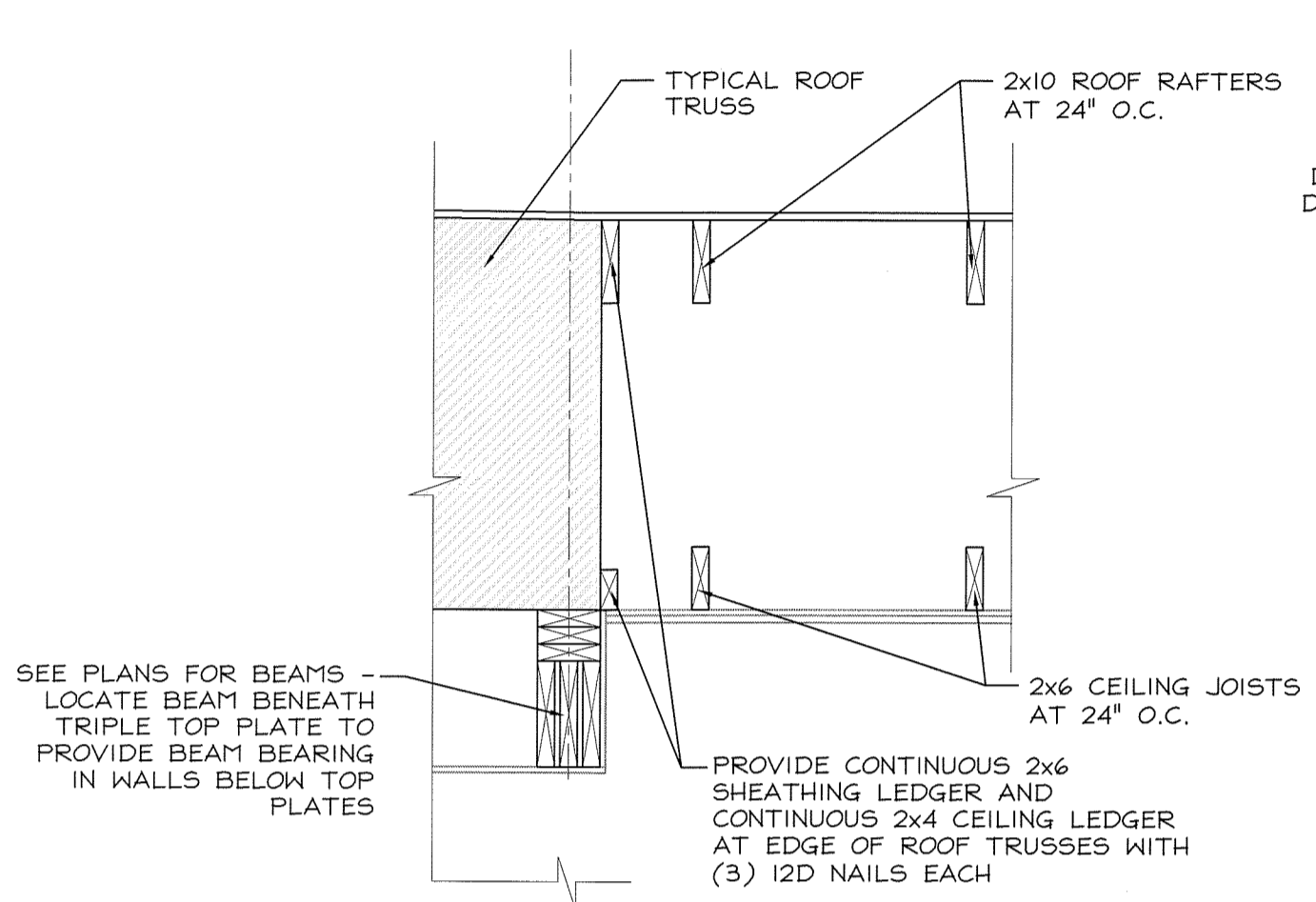


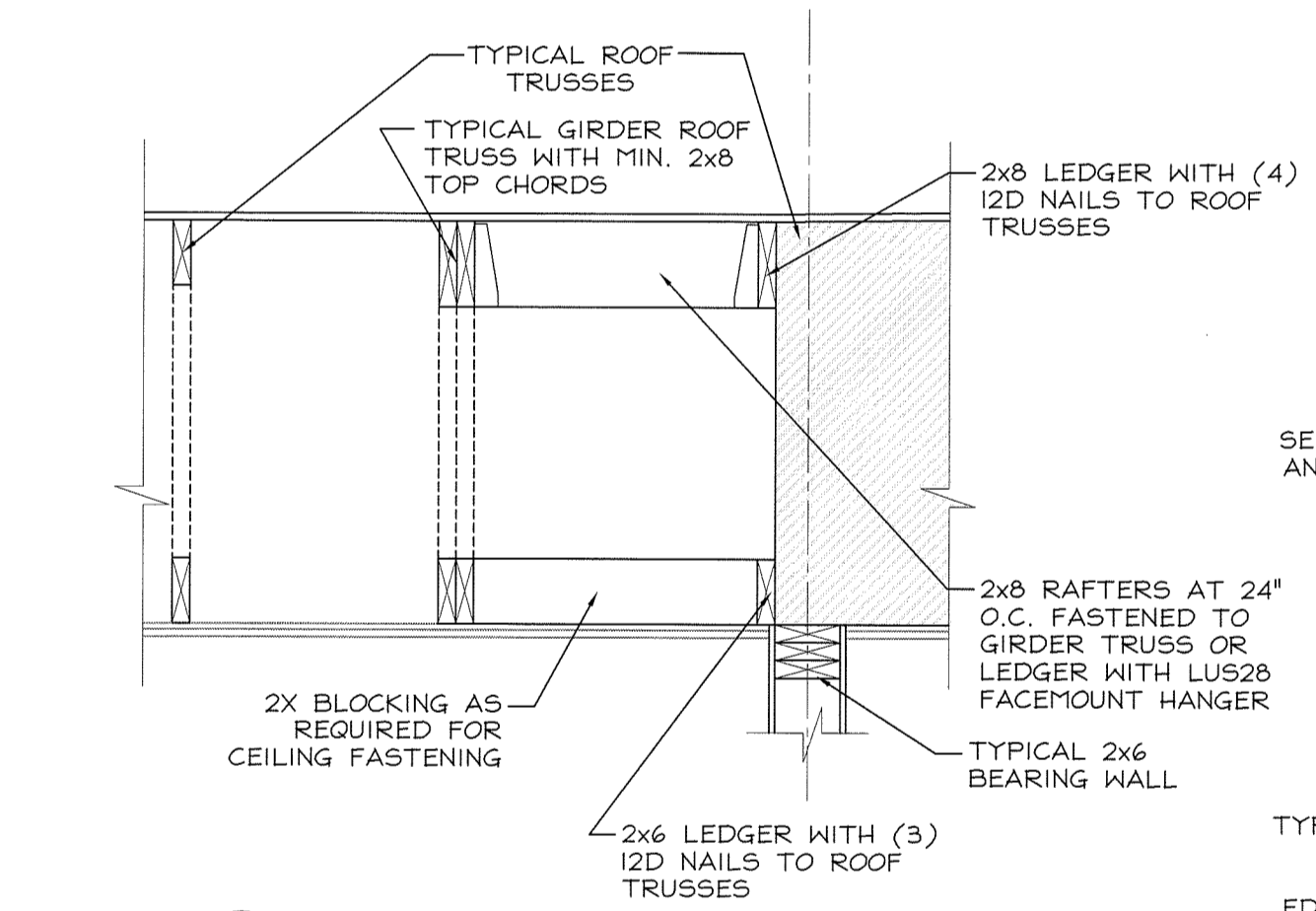
1 TYPICAL ROOF TRUSS PROFILES
 S5.2 Scale: 1/4" = 1' 0"



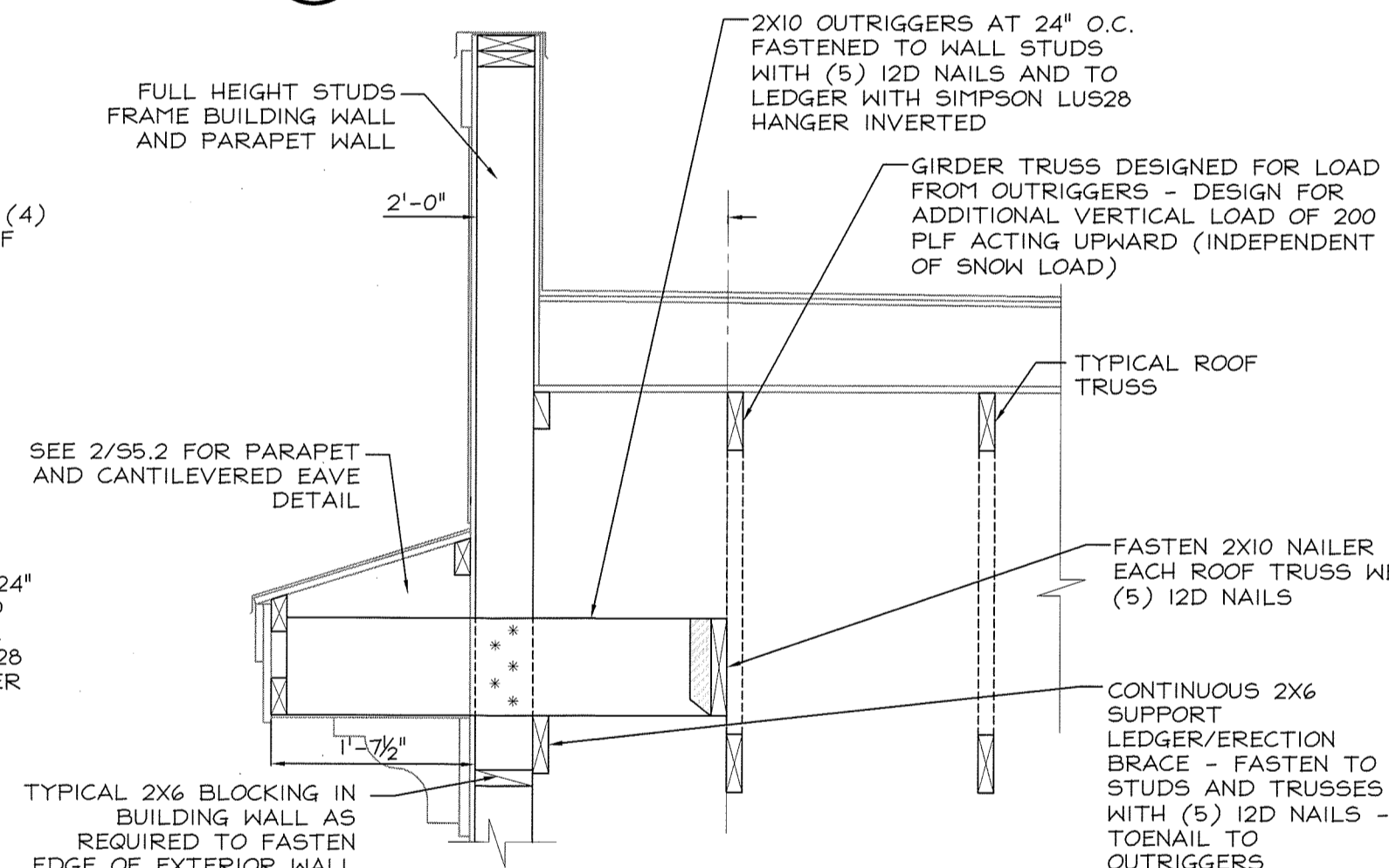
4 ROOF FRAMING AT TRUSS DIRECTION CHANGE
 S5.2 Scale: 3/4" = 1' 0"



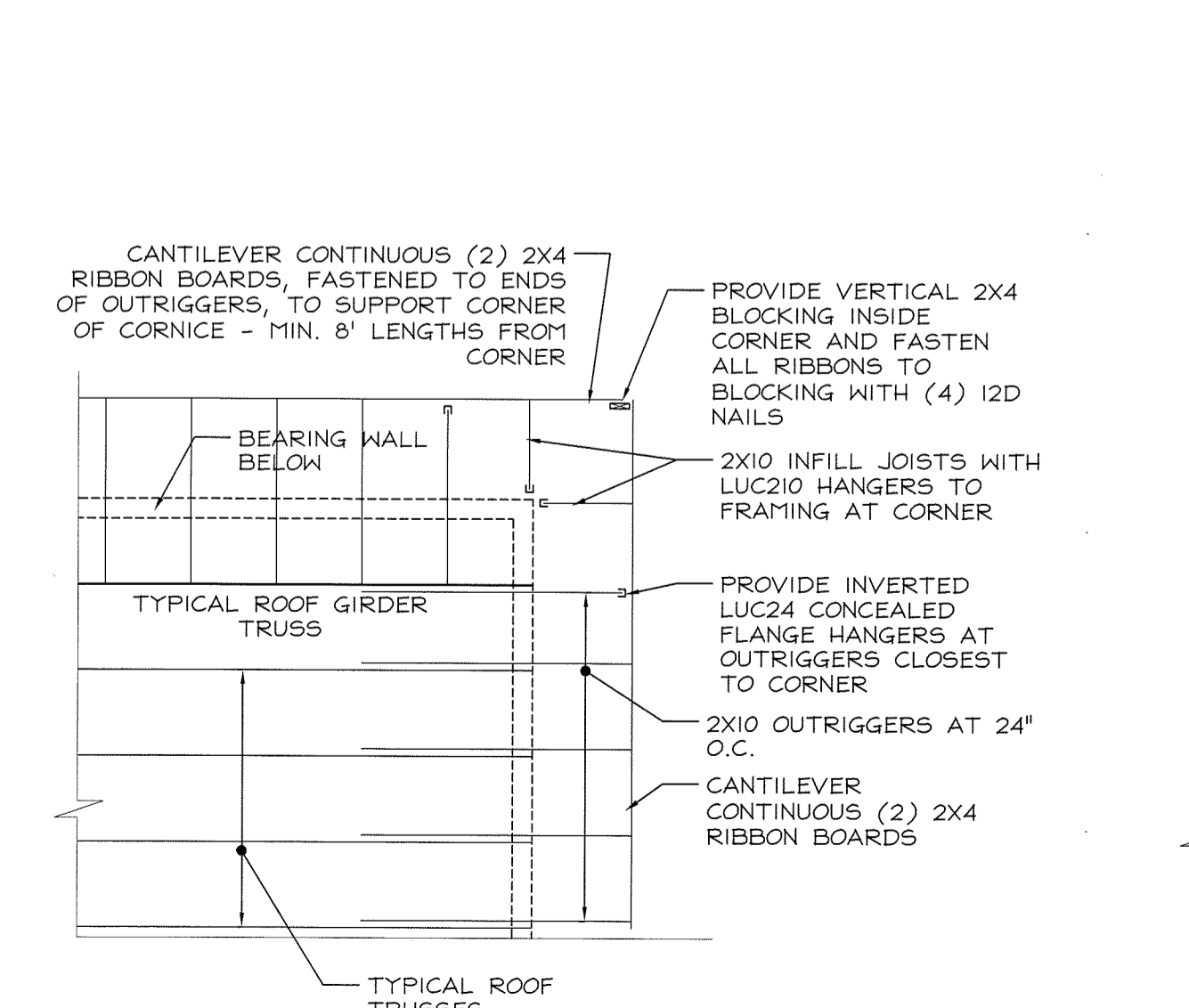
5 ROOF FRAMING AT CORRIDOR ENDS
 S5.2 Scale: 3/4" = 1' 0"



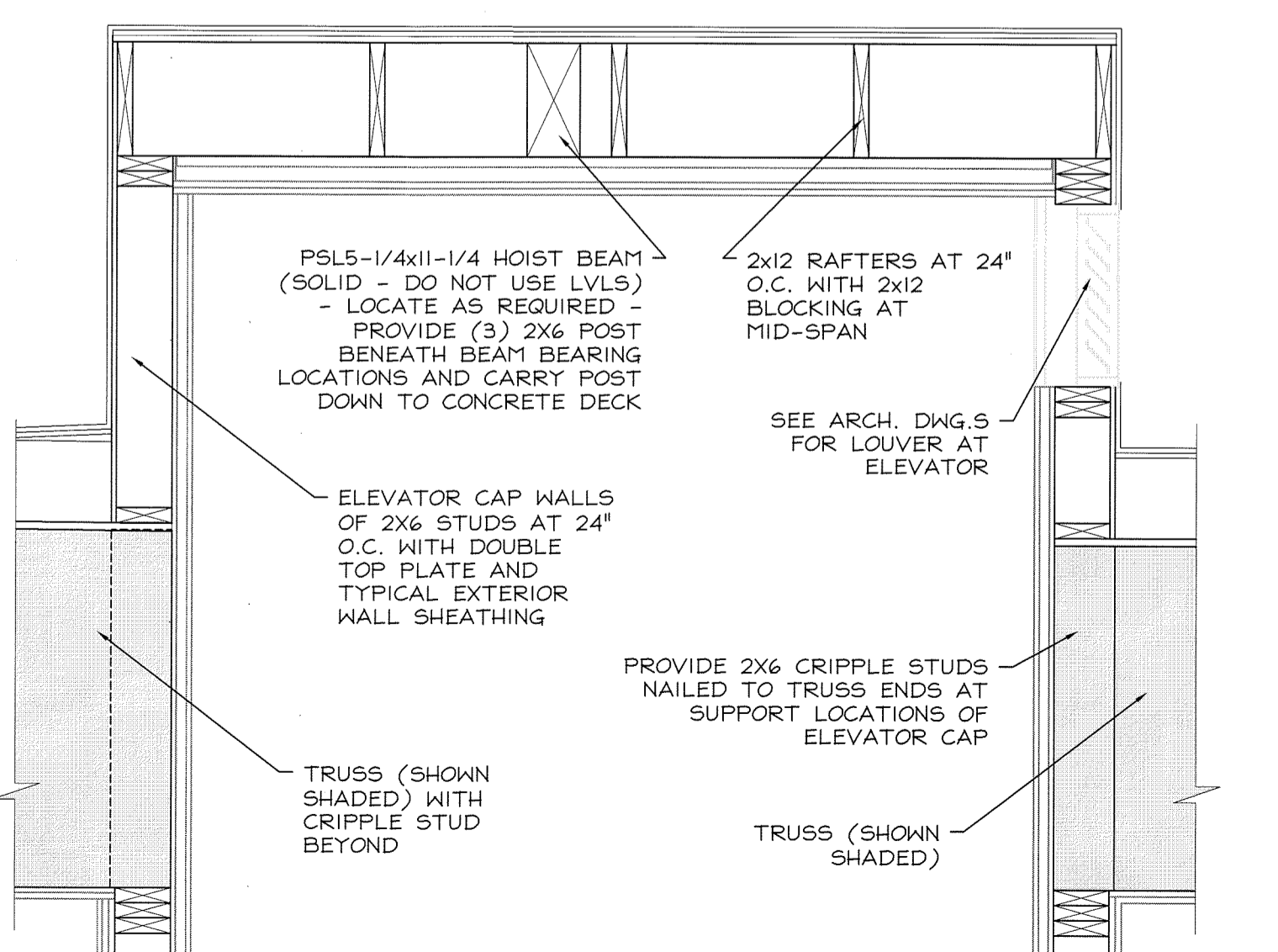
8 INFILL JOIST FRAMING AT SKEWED TRANSITION
 S5.2 Scale: 3/4" = 1' 0"



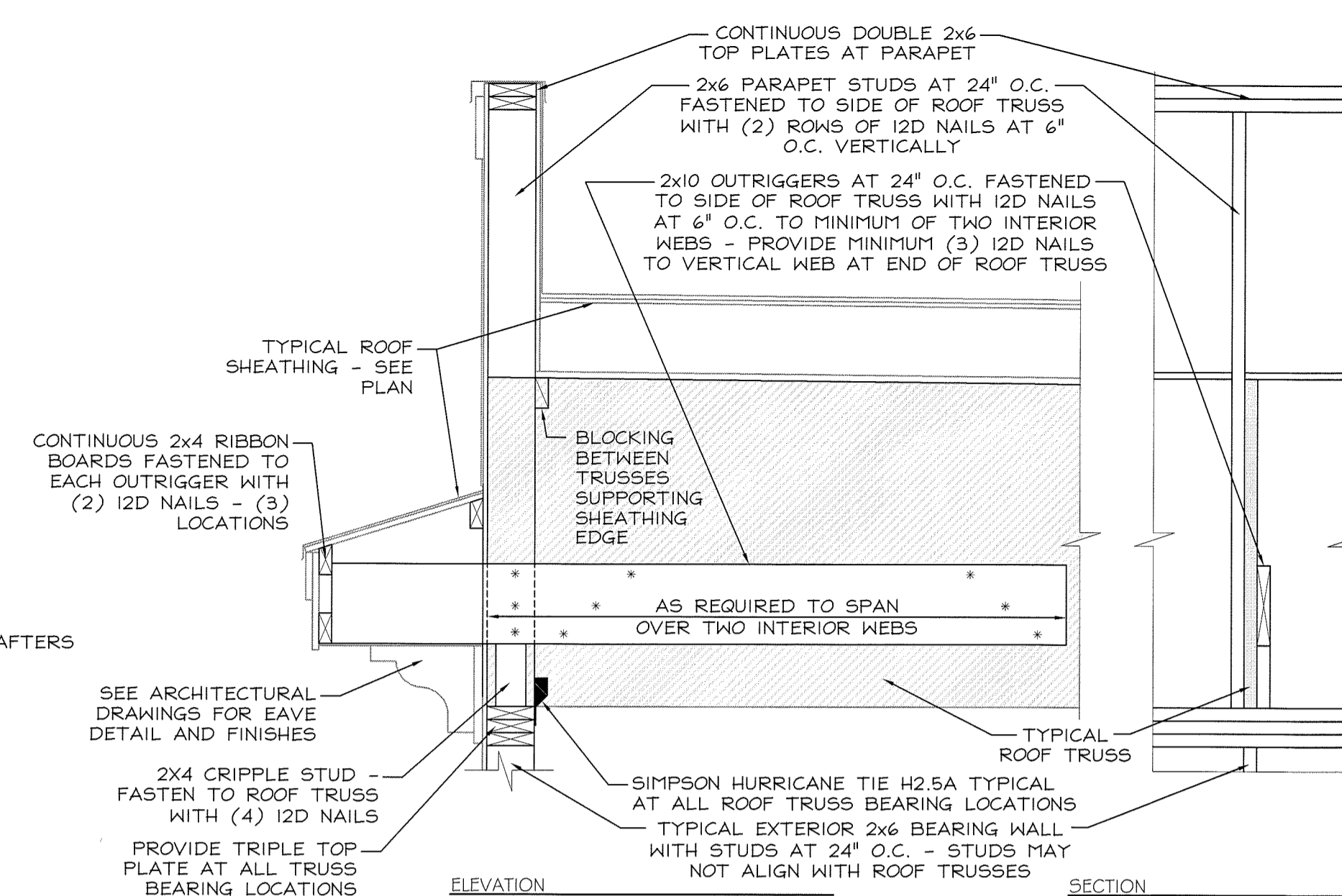
9 TRUSS BEARING AT GIRDER ROOF TRUSS
 S5.2 Scale: 3/4" = 1' 0"



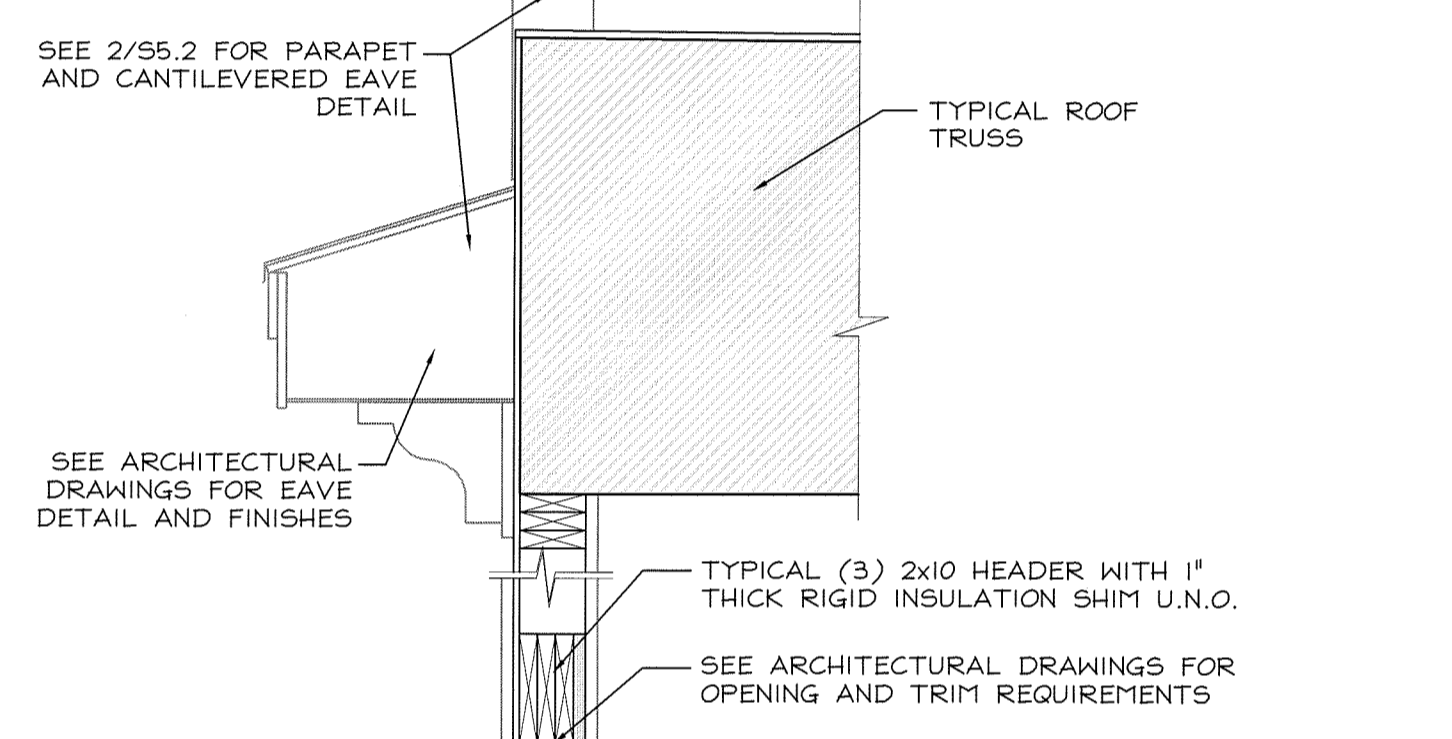
12 FRAMING AT CORNERS OF ROOF
 S5.2 Scale: 1/4" = 1' 0"



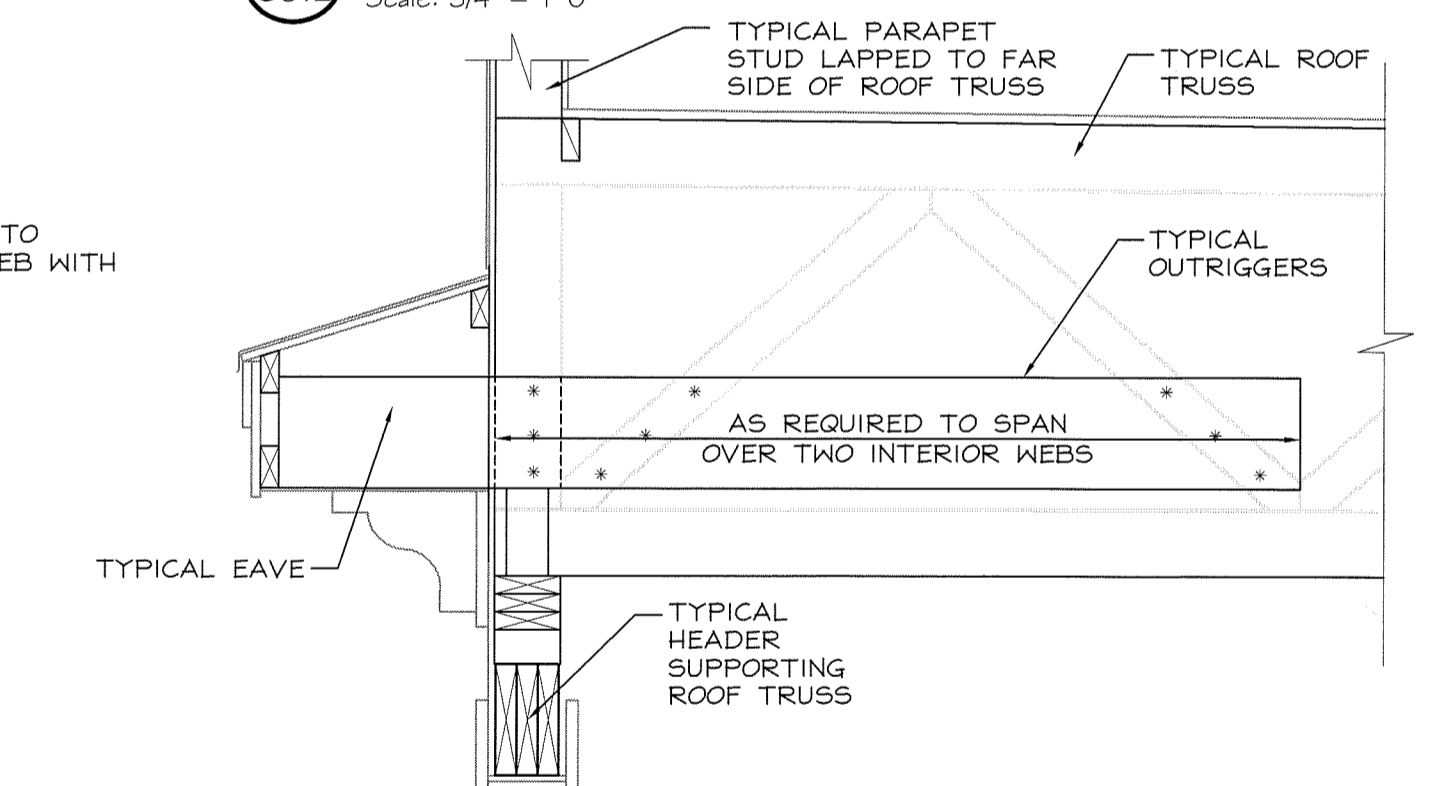
13 ELEVATOR CAP
 S5.2 Scale: 3/4" = 1' 0"



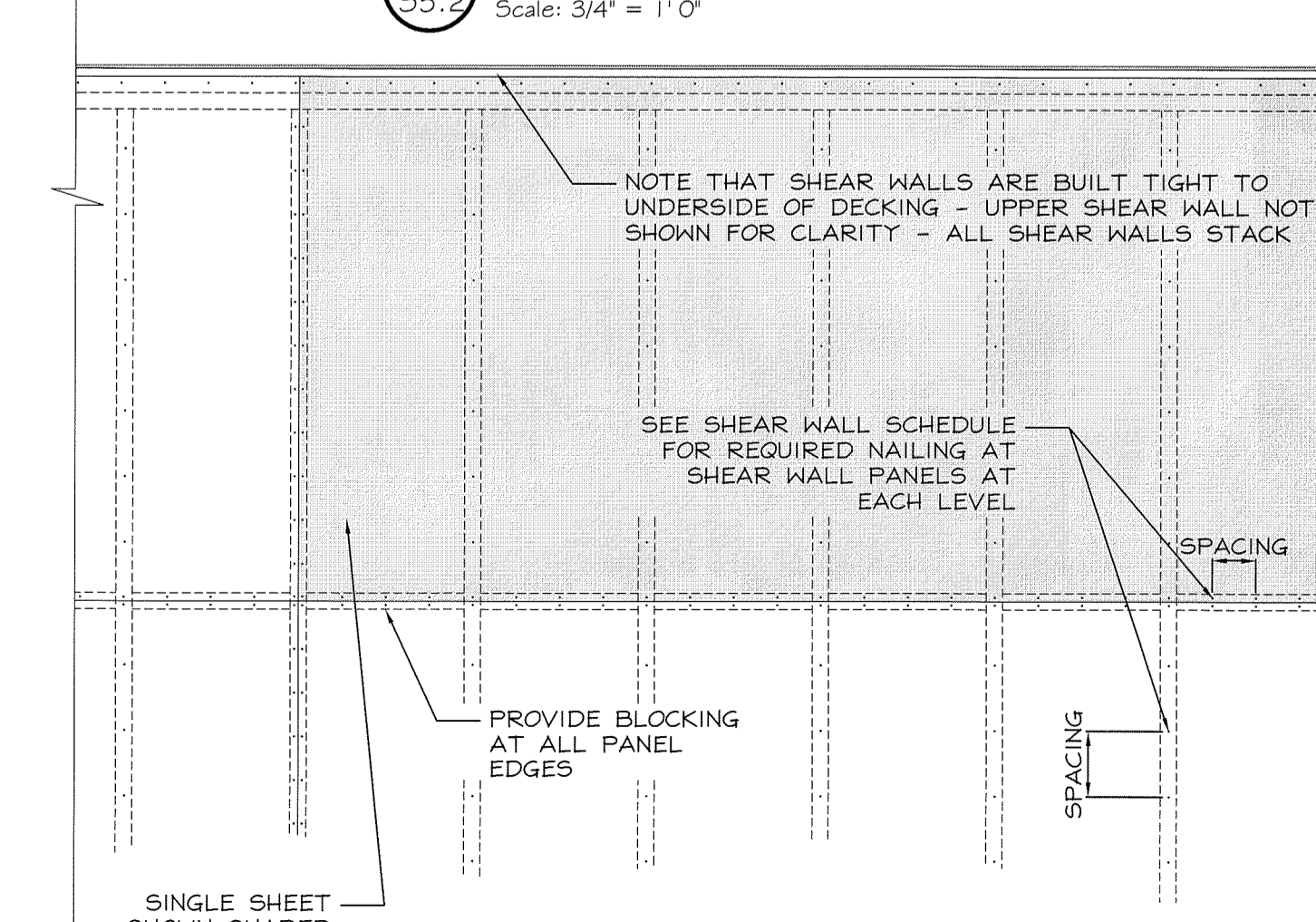
2 TYPICAL ROOF FRAMING TRUSS BEARING
 S5.2 Scale: 3/4" = 1' 0"



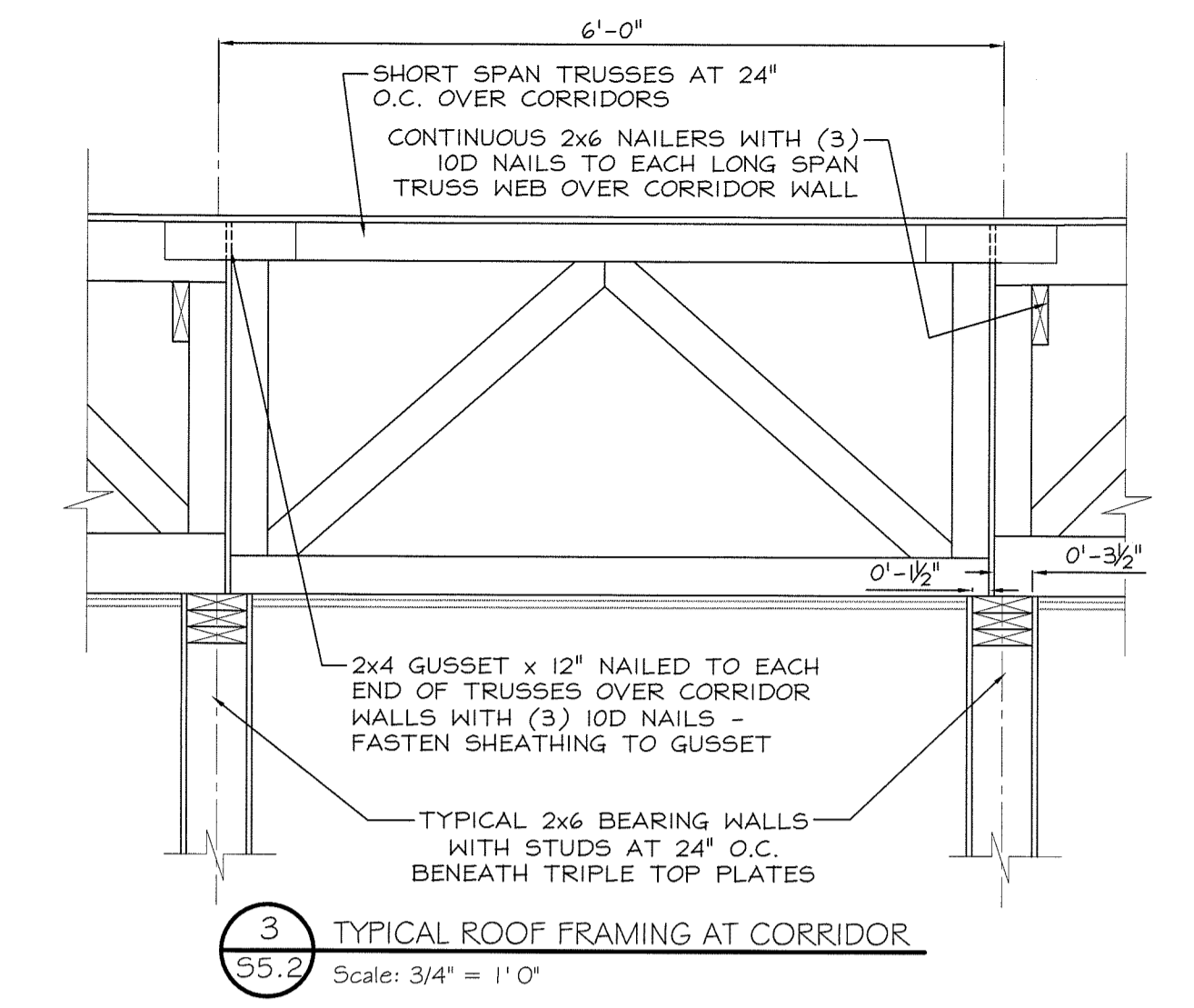
6 ROOF BEARING AT EXTERIOR WALL HEADER
 S5.2 Scale: 3/4" = 1' 0"



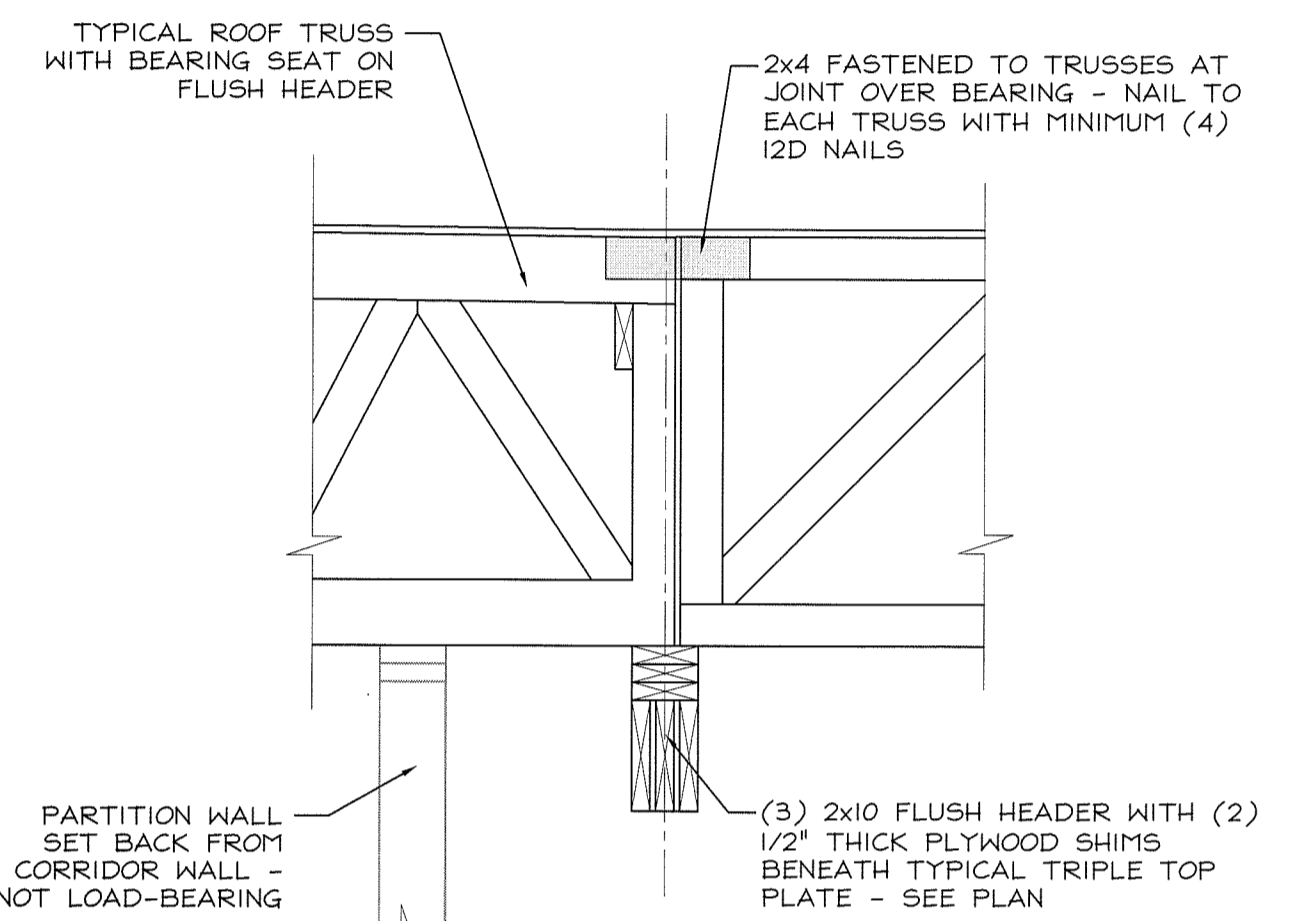
10 ROOF ABOVE BALCONY
 S5.2 Scale: 3/4" = 1' 0"



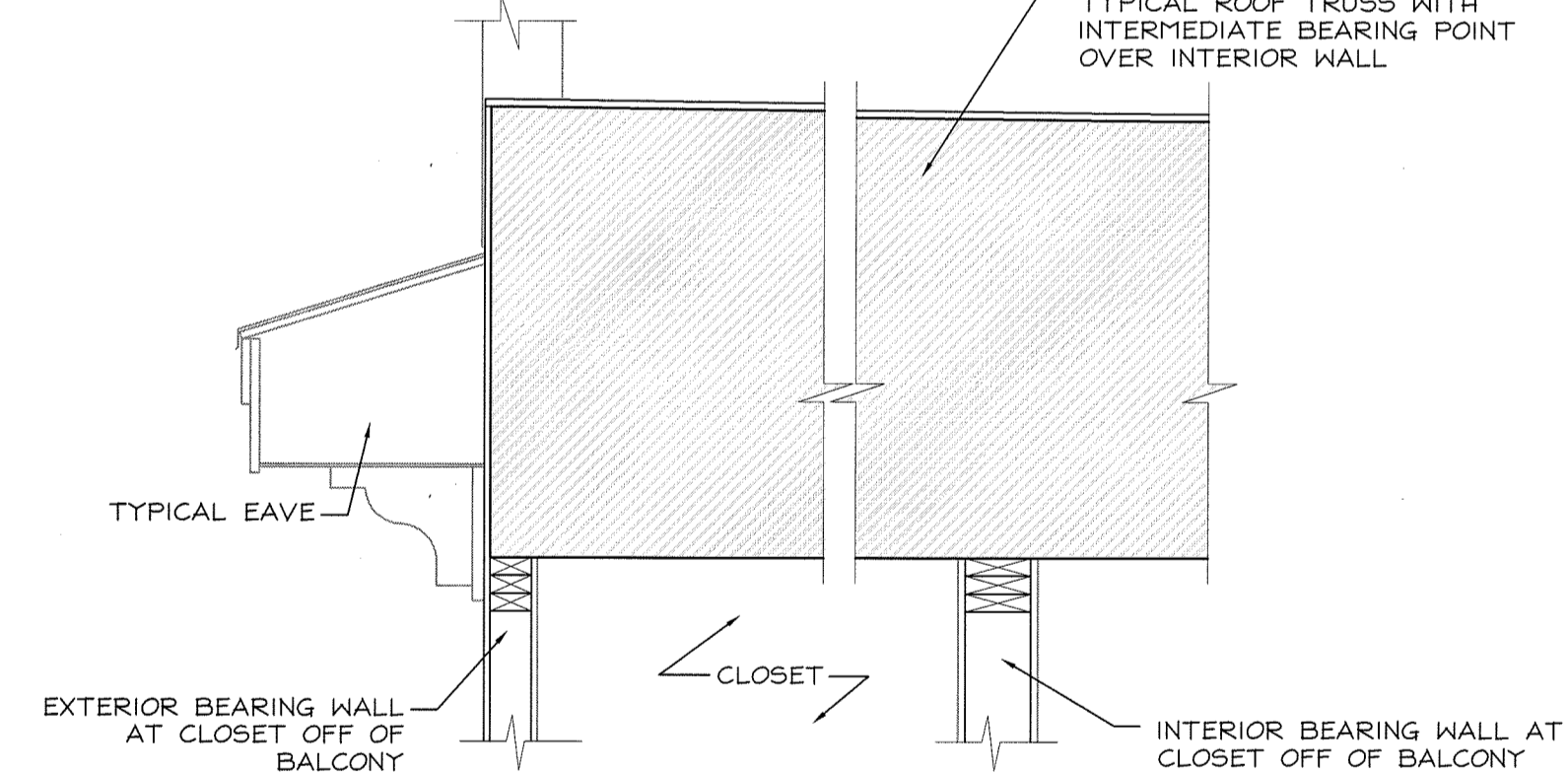
14 SHEAR WALL NAILING ELEVATION
 S5.2 Scale: 3/4" = 1' 0"



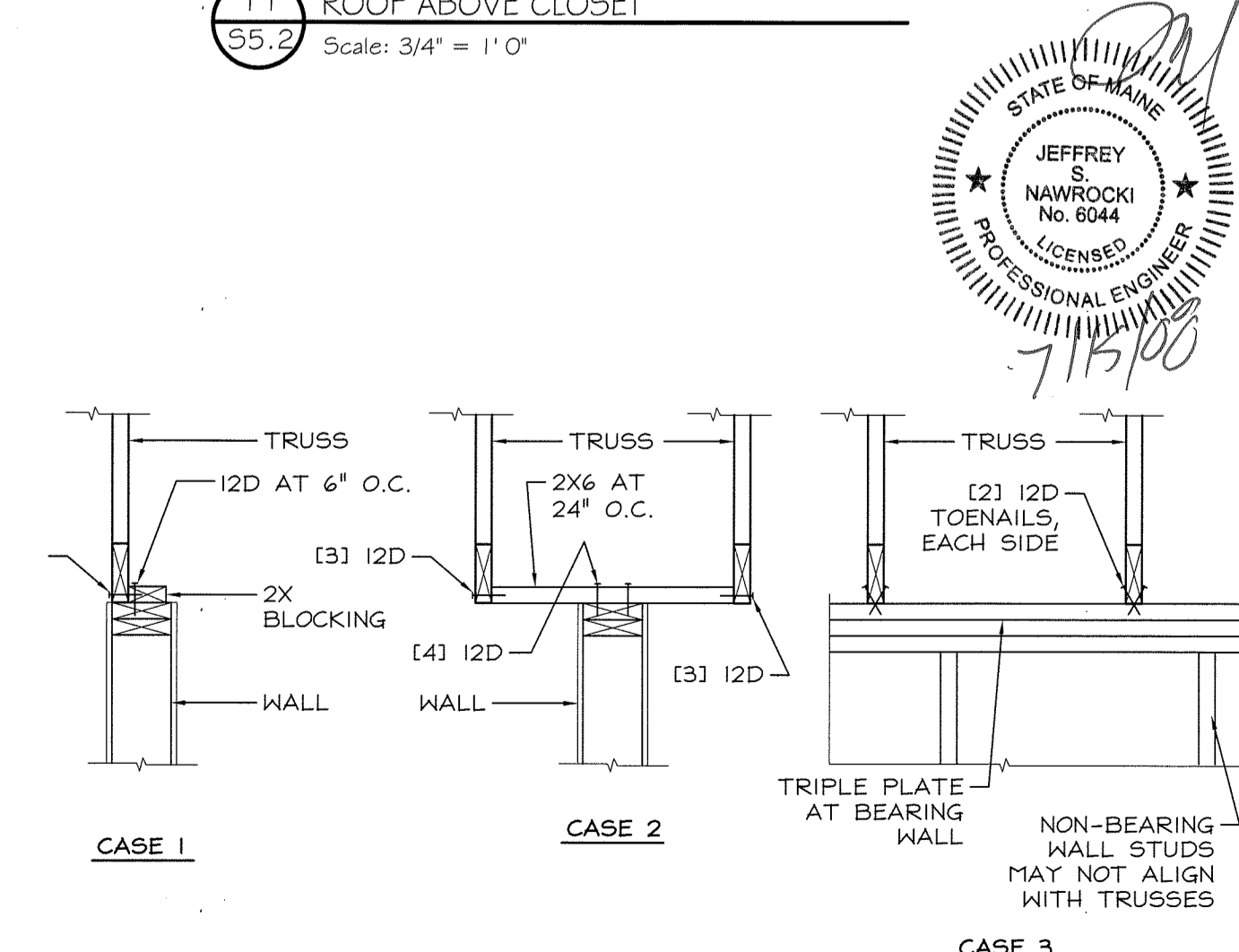
3 TYPICAL ROOF FRAMING AT CORRIDOR
 S5.2 Scale: 3/4" = 1' 0"



7 FLUSH HEADER AT CORRIDOR ROOF
 S5.2 Scale: 3/4" = 1' 0"



11 ROOF ABOVE CLOSET
 S5.2 Scale: 3/4" = 1' 0"



15 SHEAR WALL FRAMING AT ROOF
 S5.2 Scale: 3/4" = 1' 0"

