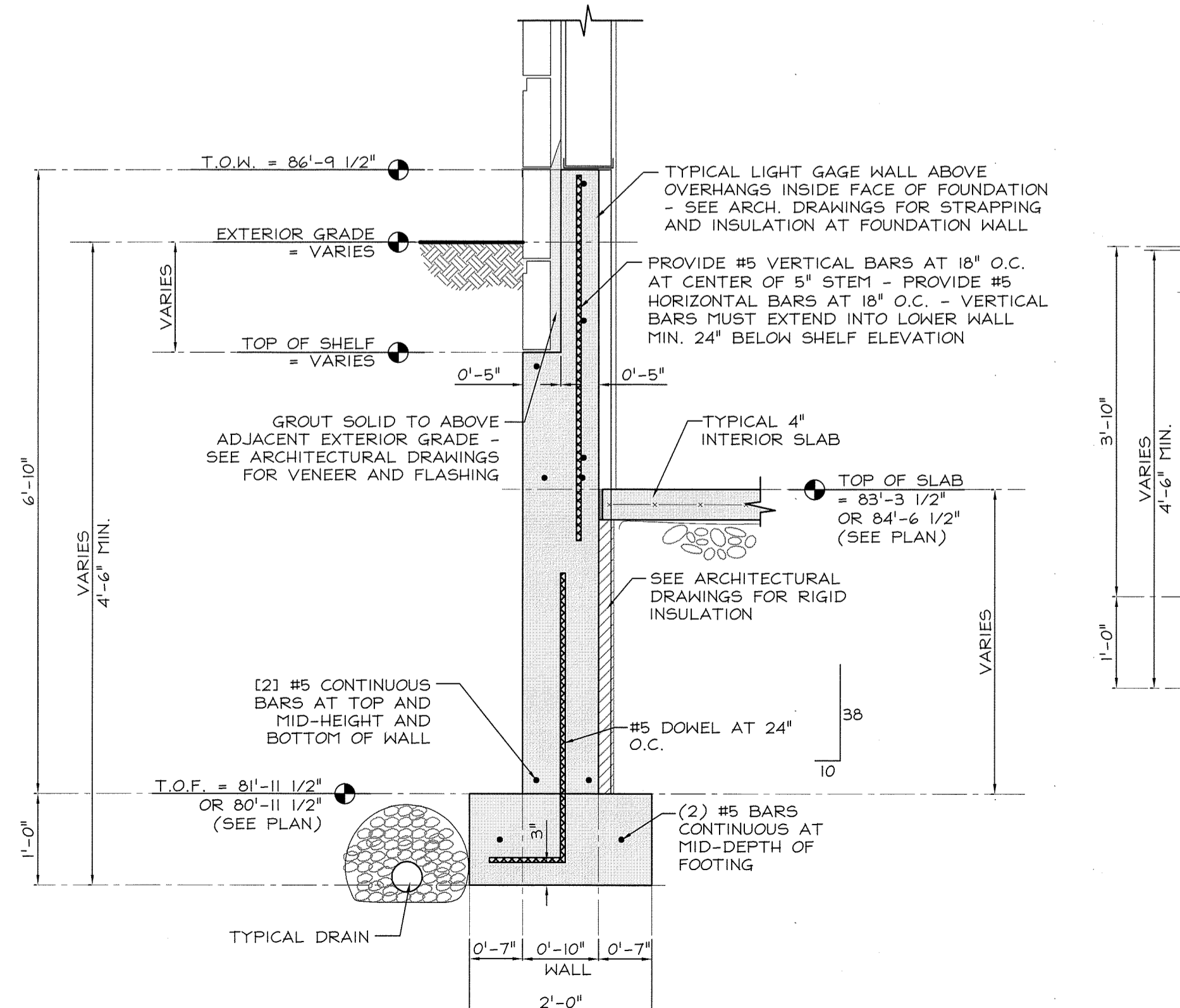
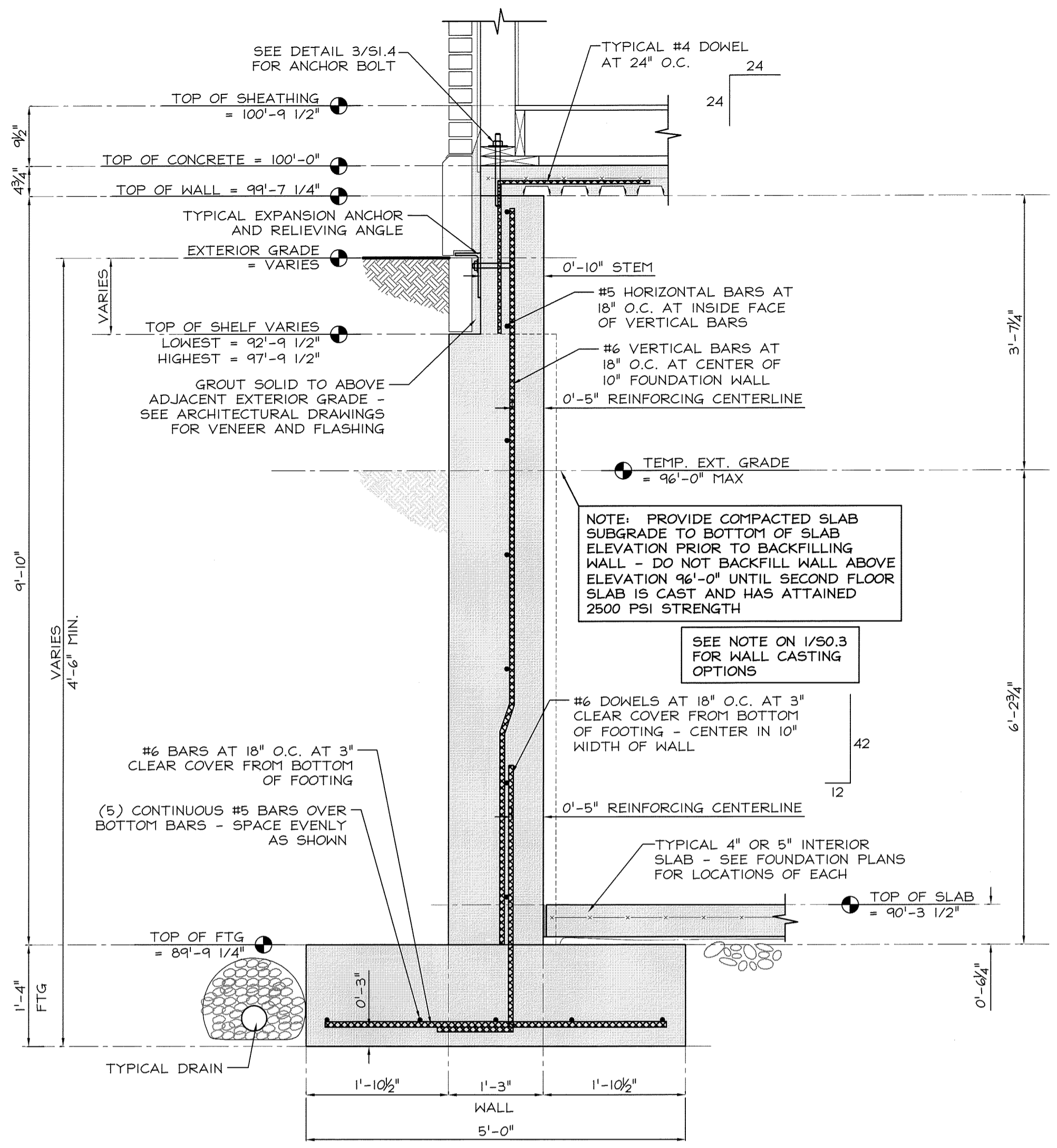


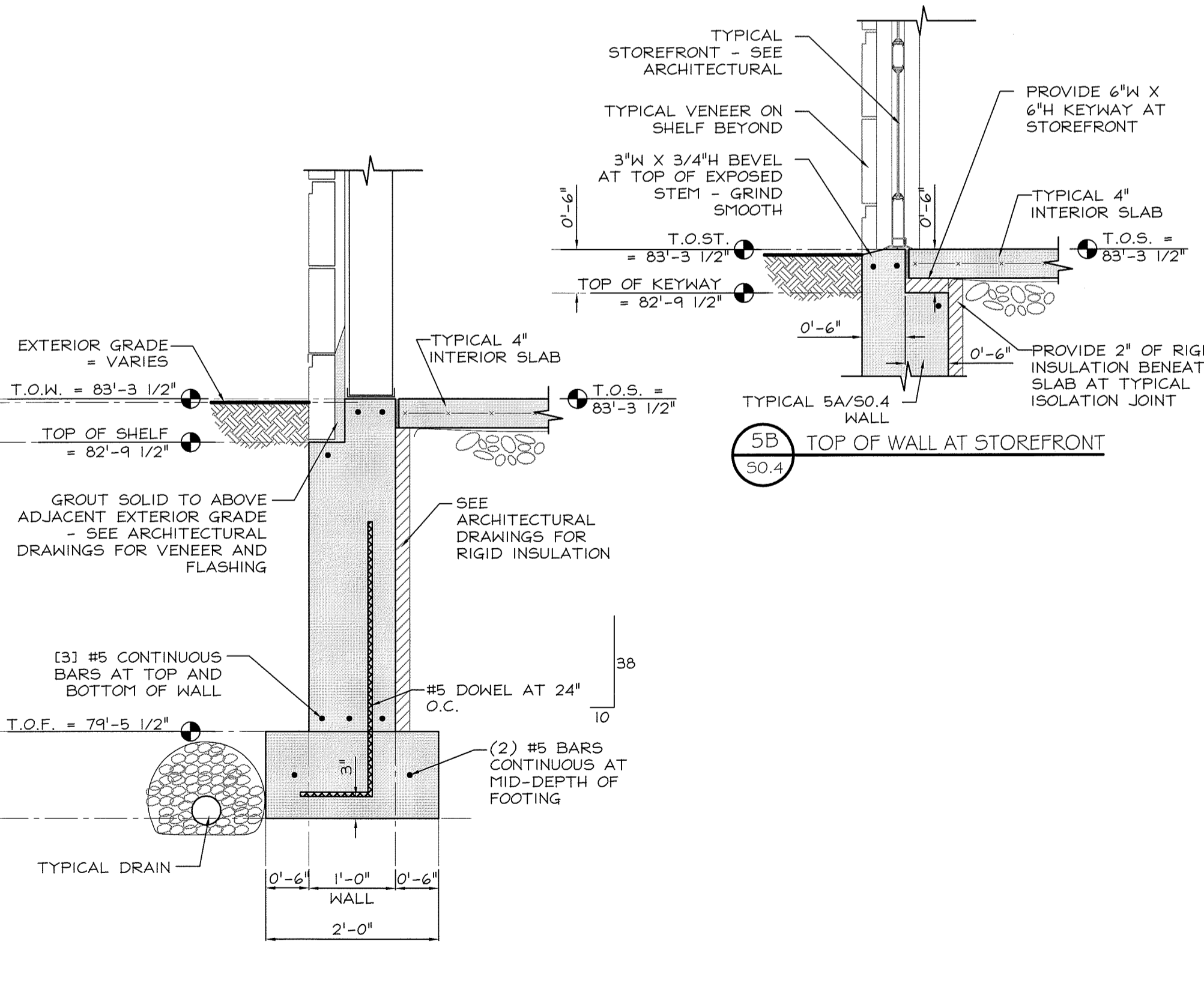
1 FOUNDATION WALL
 Scale: 3/4" = 1'-0"



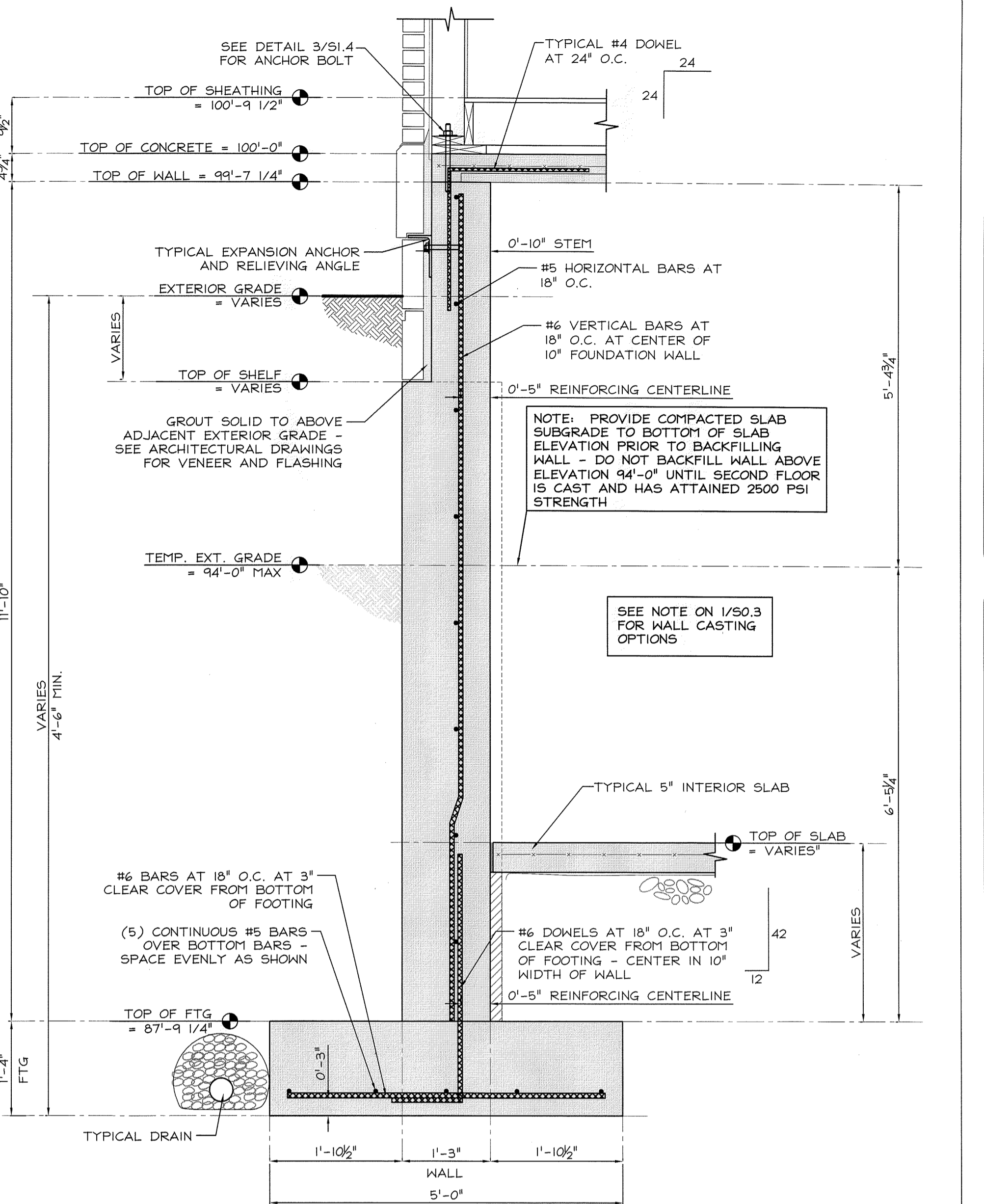
4 FOUNDATION WALL
 Scale: 3/4" = 1'-0"



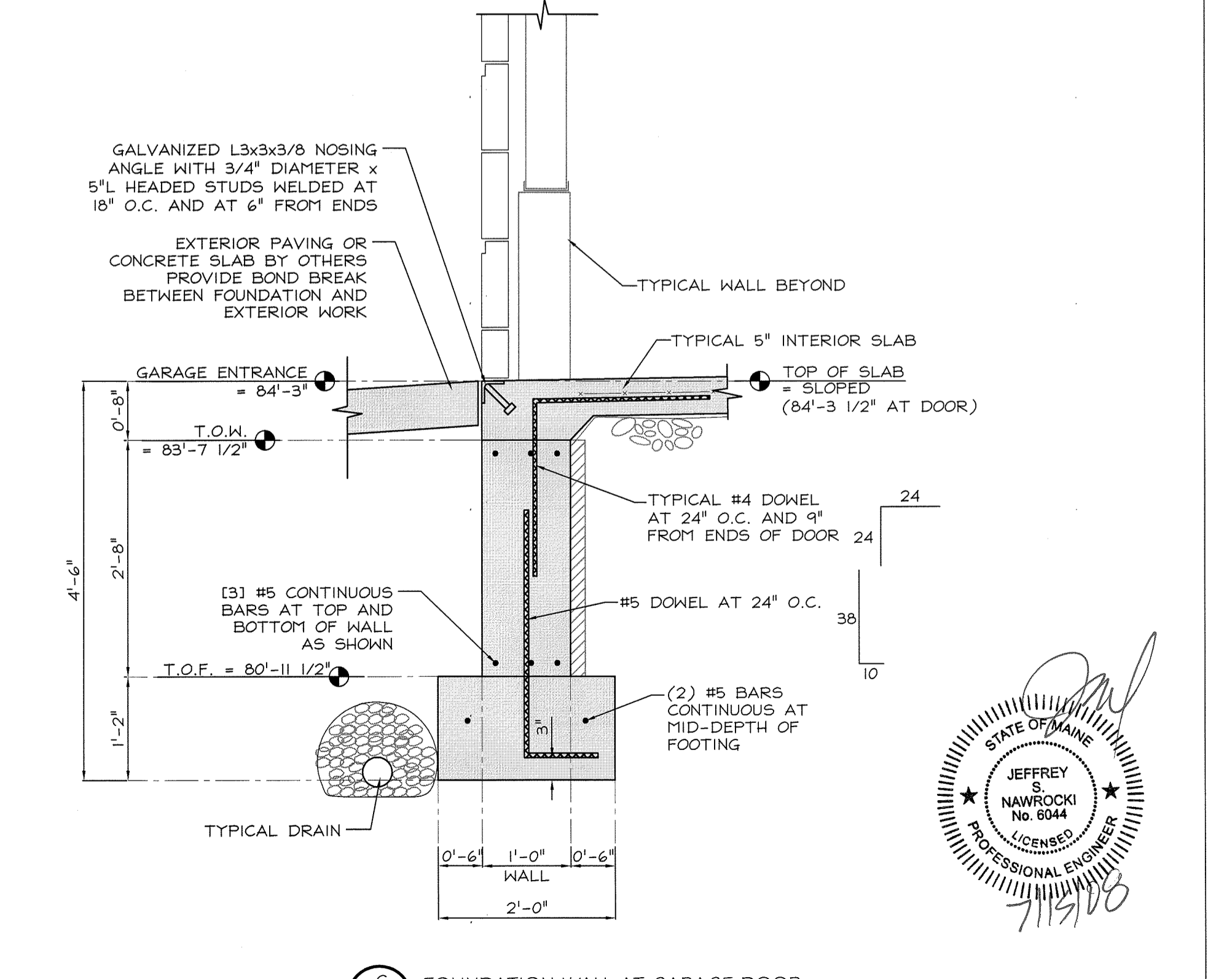
2 FOUNDATION WALL
 Scale: 3/4" = 1'-0"



5A FOUNDATION WALL
 Scale: 3/4" = 1'-0"

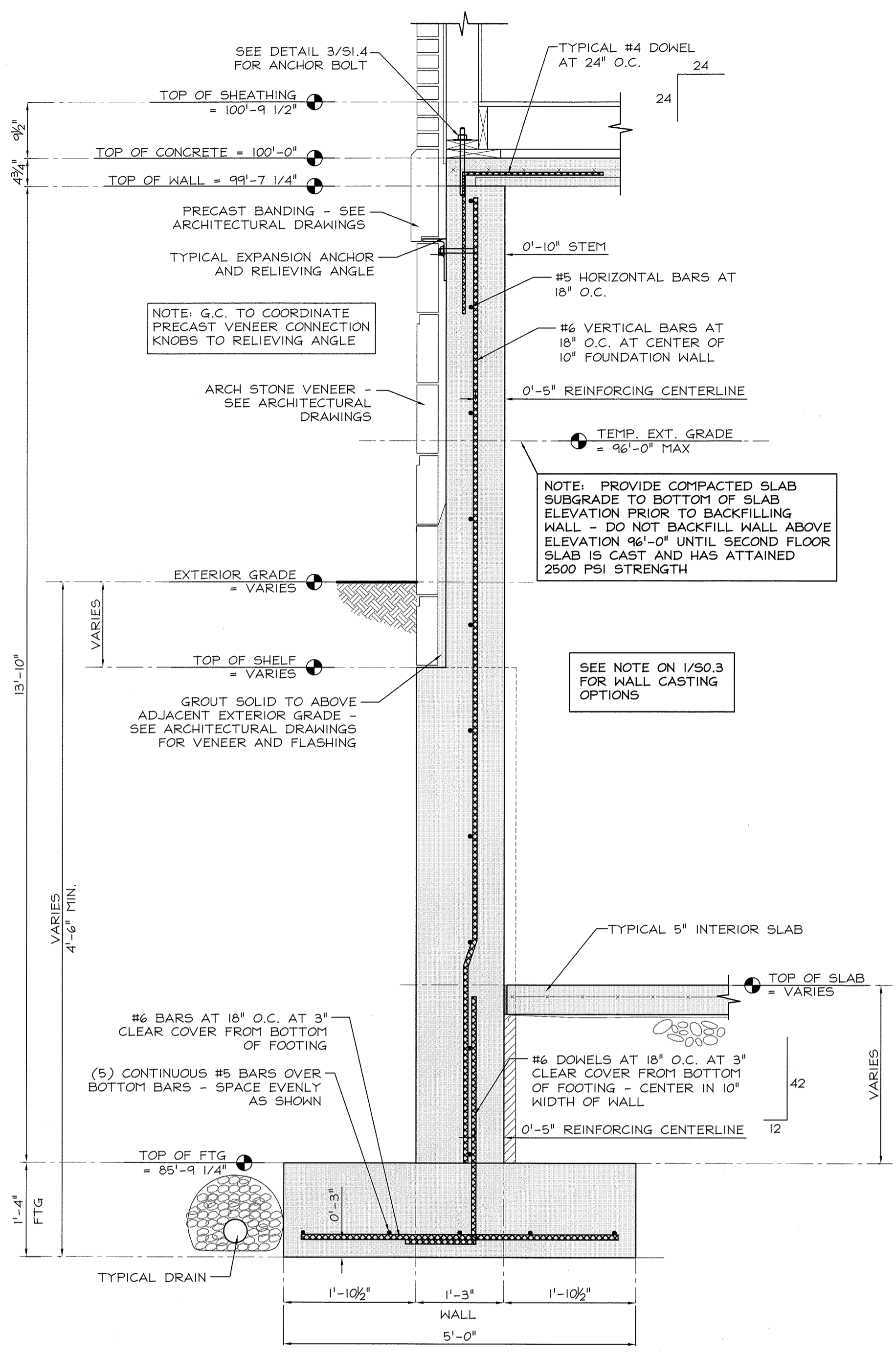


3 FOUNDATION WALL
 Scale: 3/4" = 1'-0"

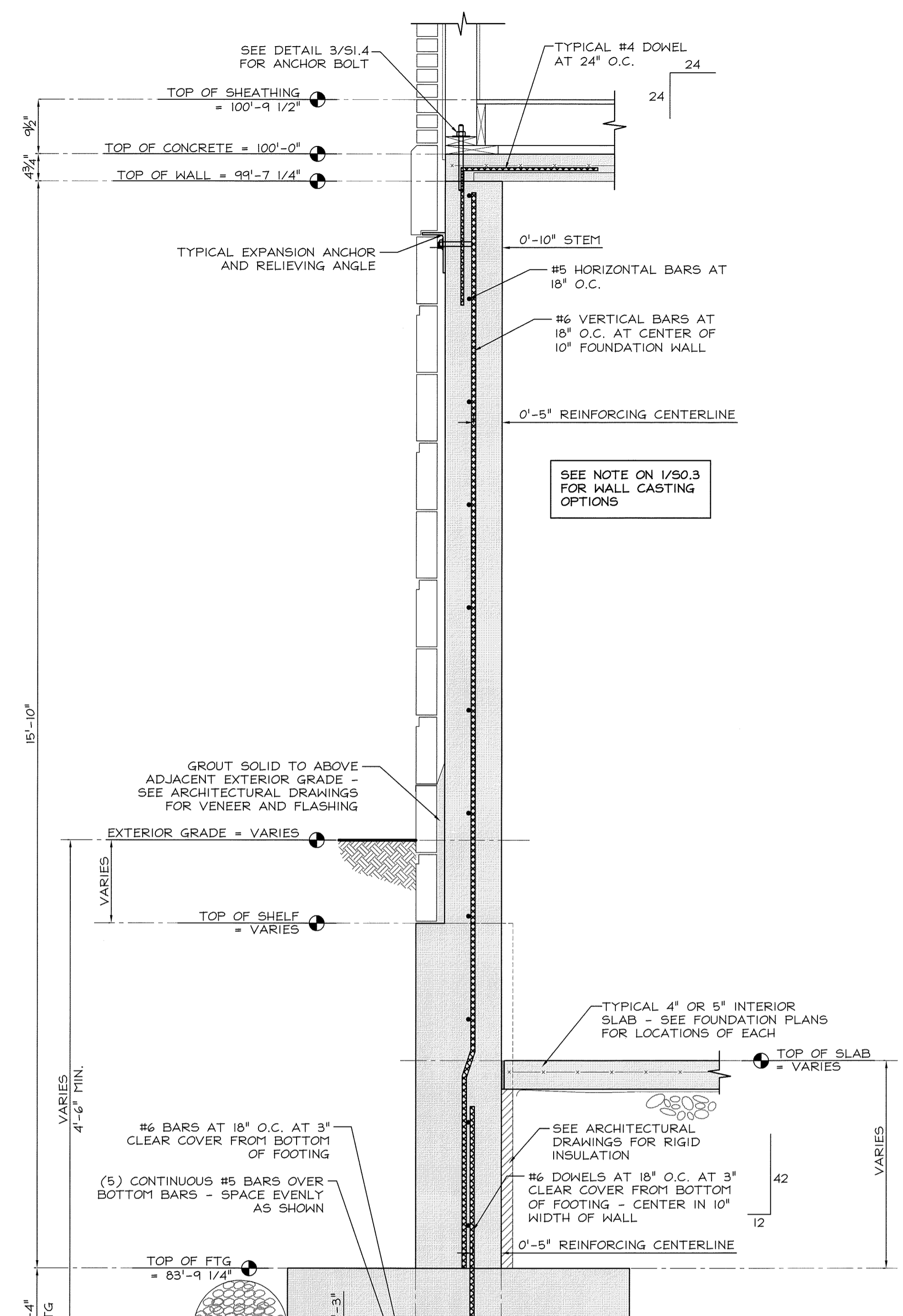


6 FOUNDATION WALL AT GARAGE DOOR
 Scale: 3/4" = 1'-0"

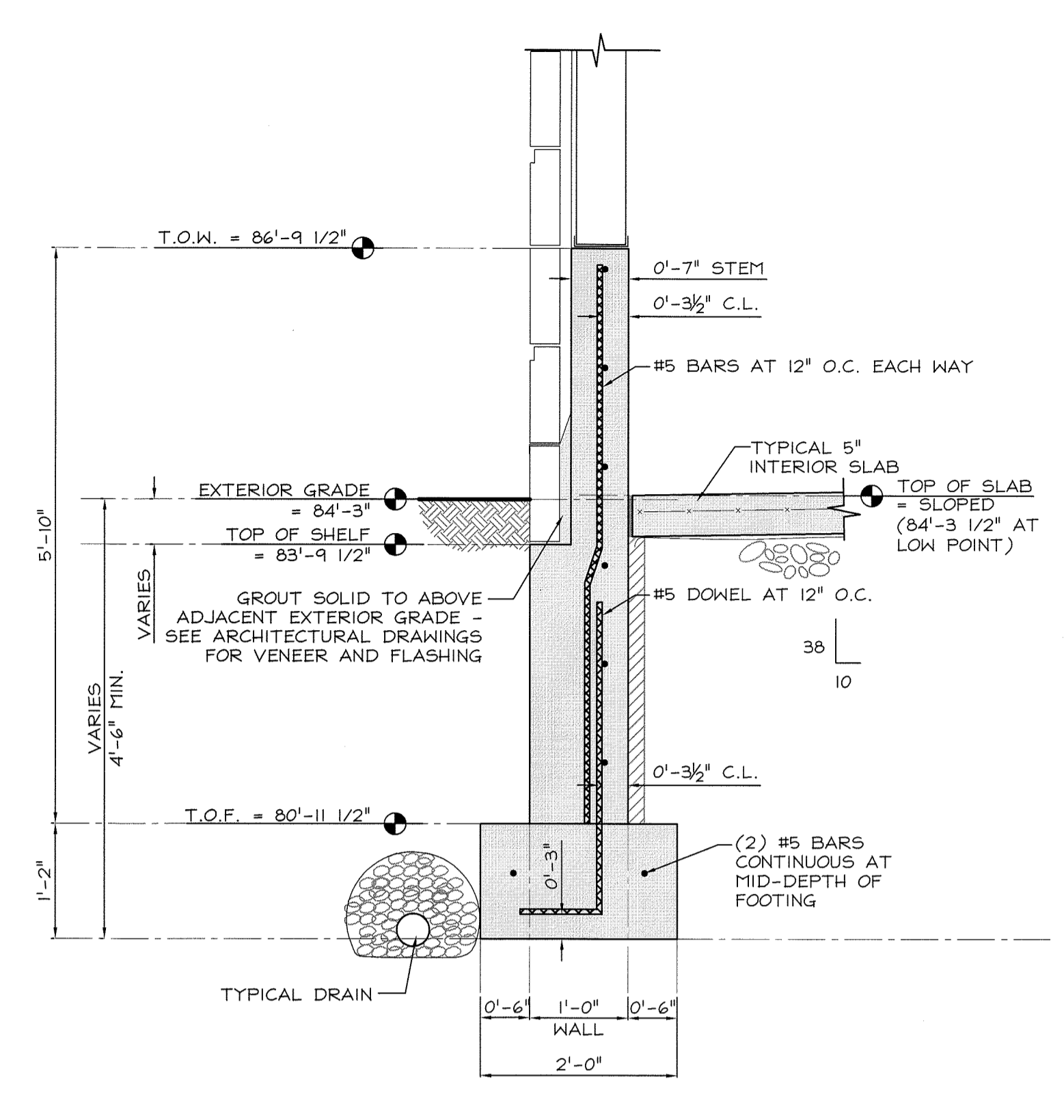




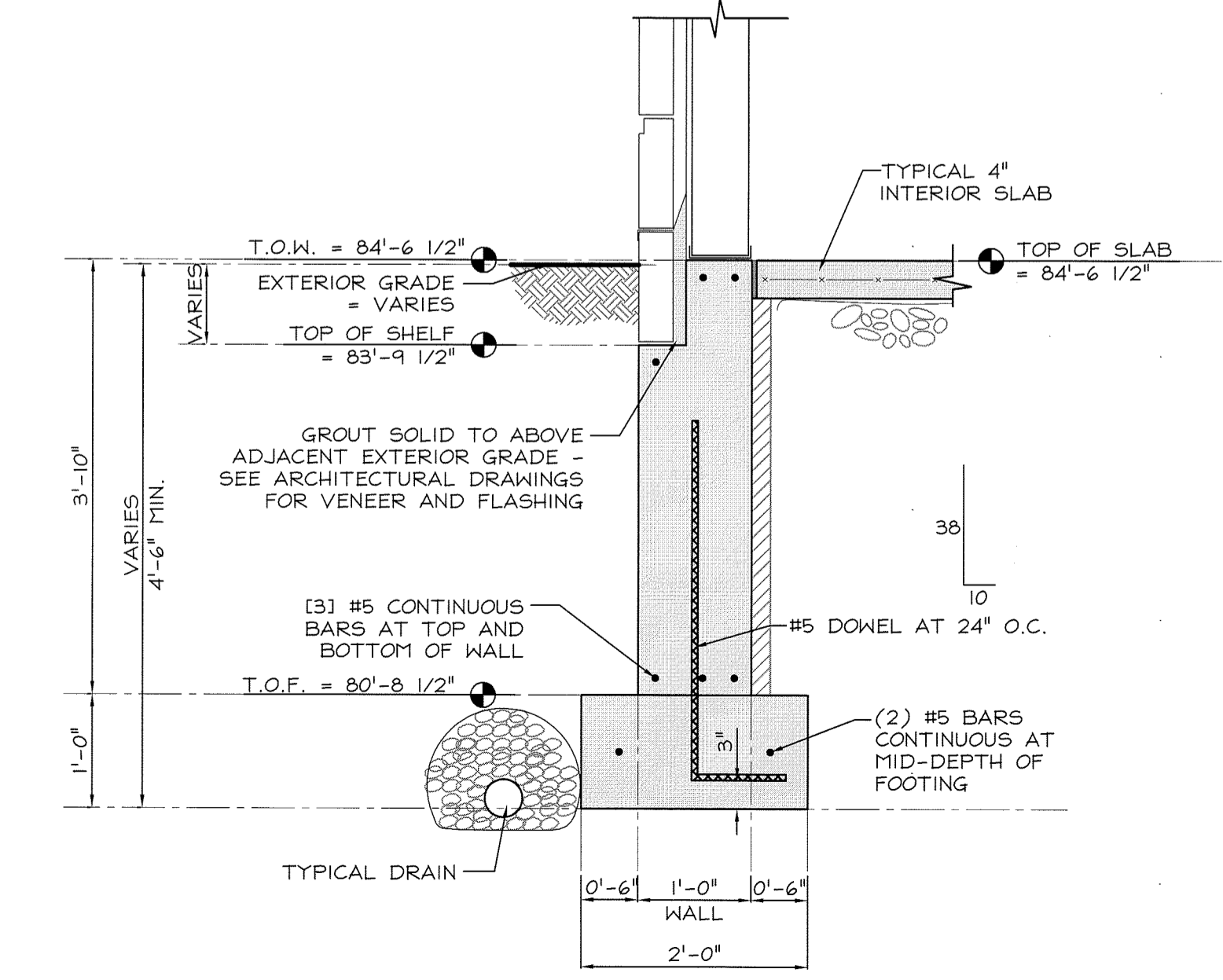
1 FOUNDATION WALL
 Scale: 3/4" = 1'-0"



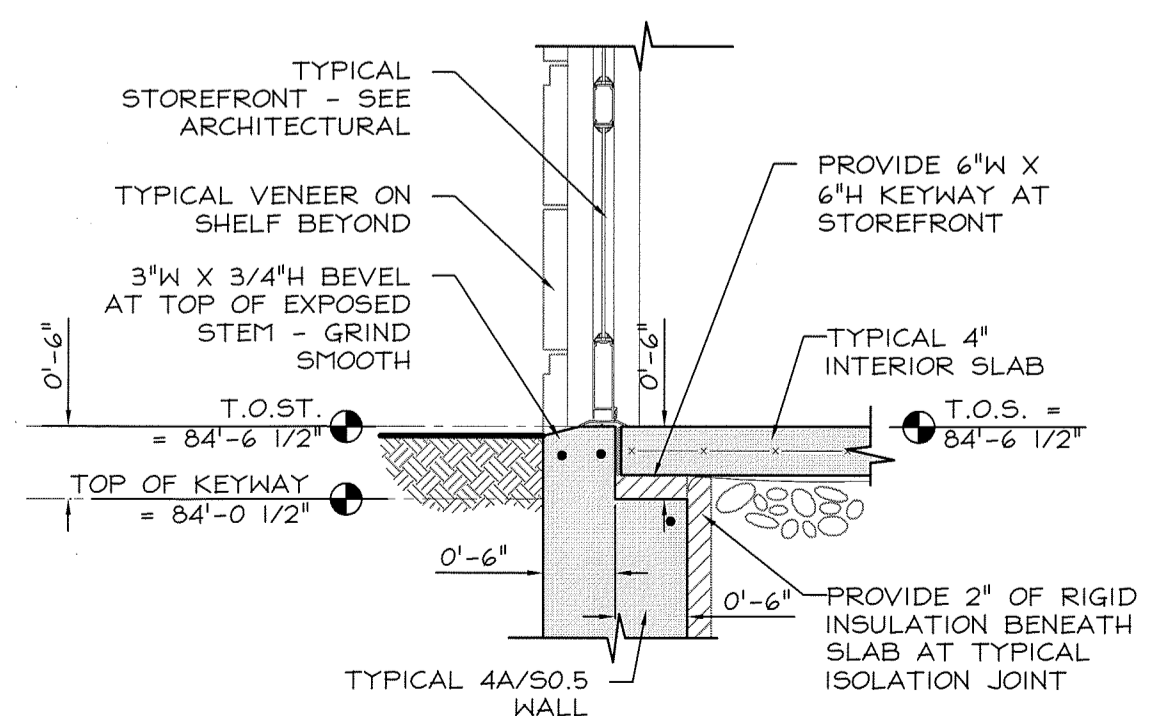
2 FOUNDATION WALL
 Scale: 3/4" = 1'-0"



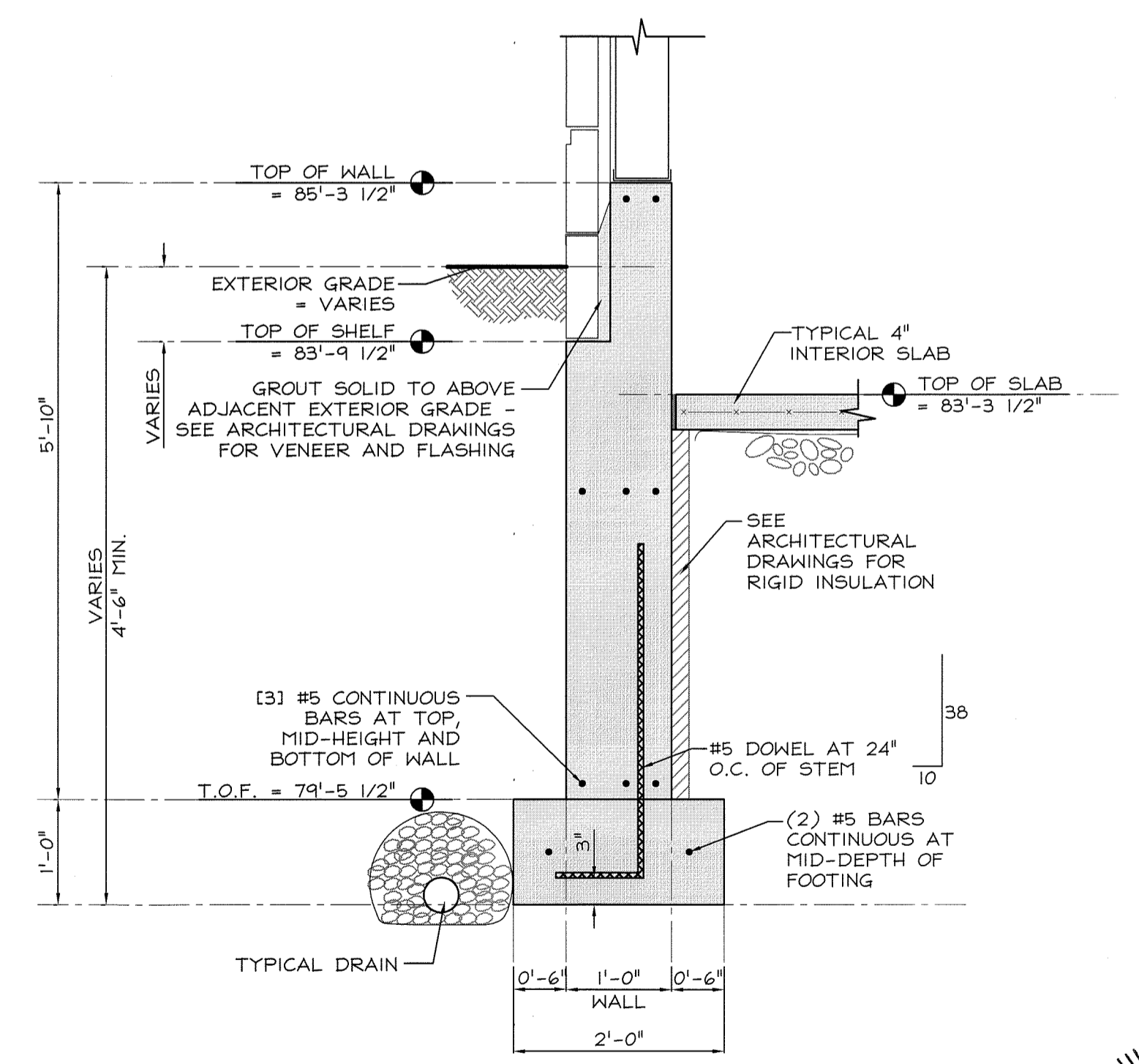
3 FOUNDATION WALL
 Scale: 3/4" = 1'-0"



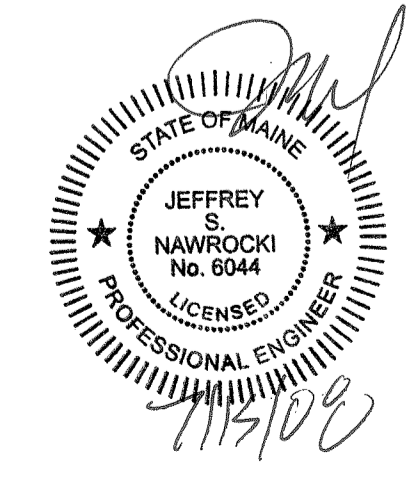
4A FOUNDATION WALL
 Scale: 3/4" = 1'-0"

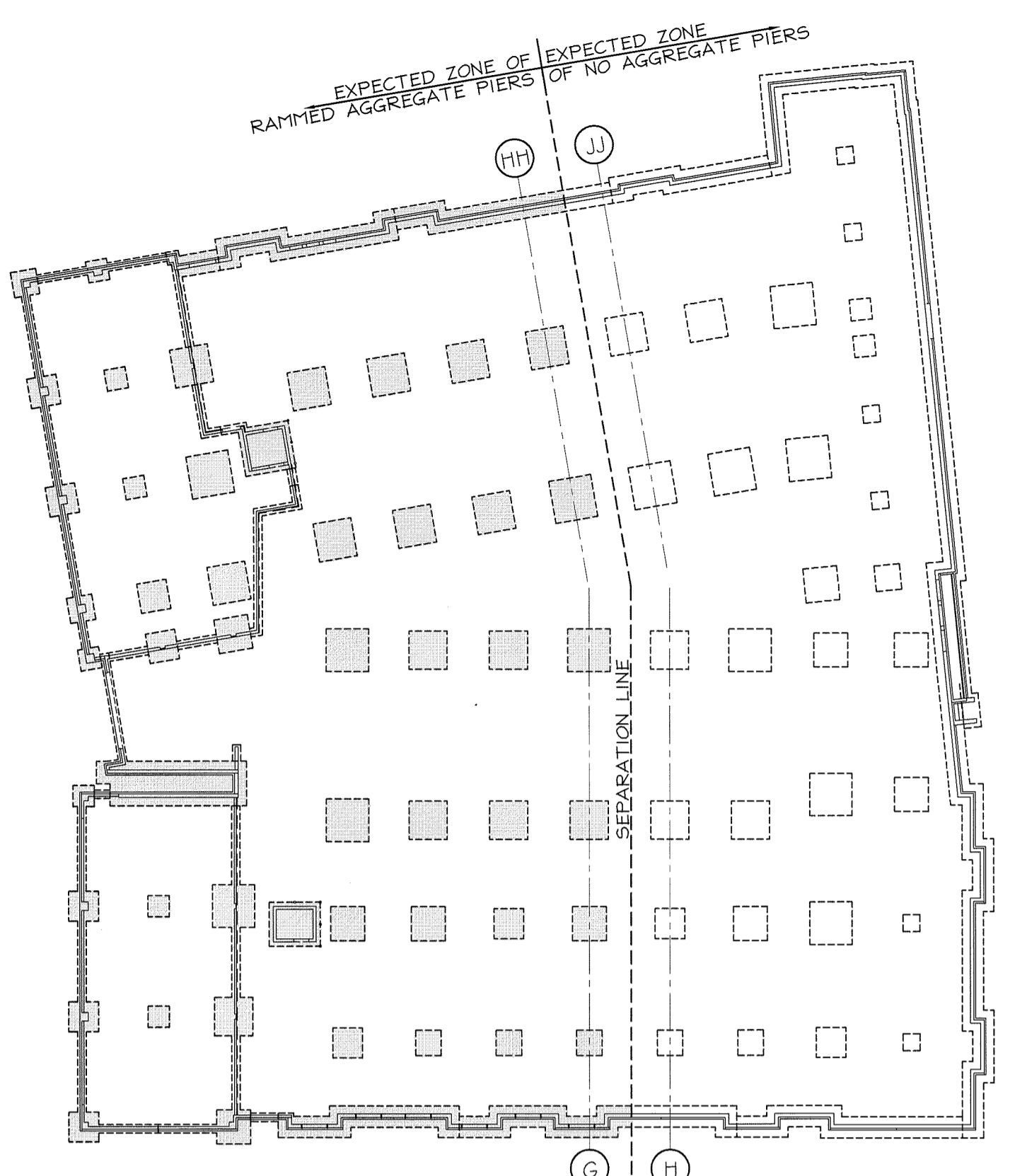
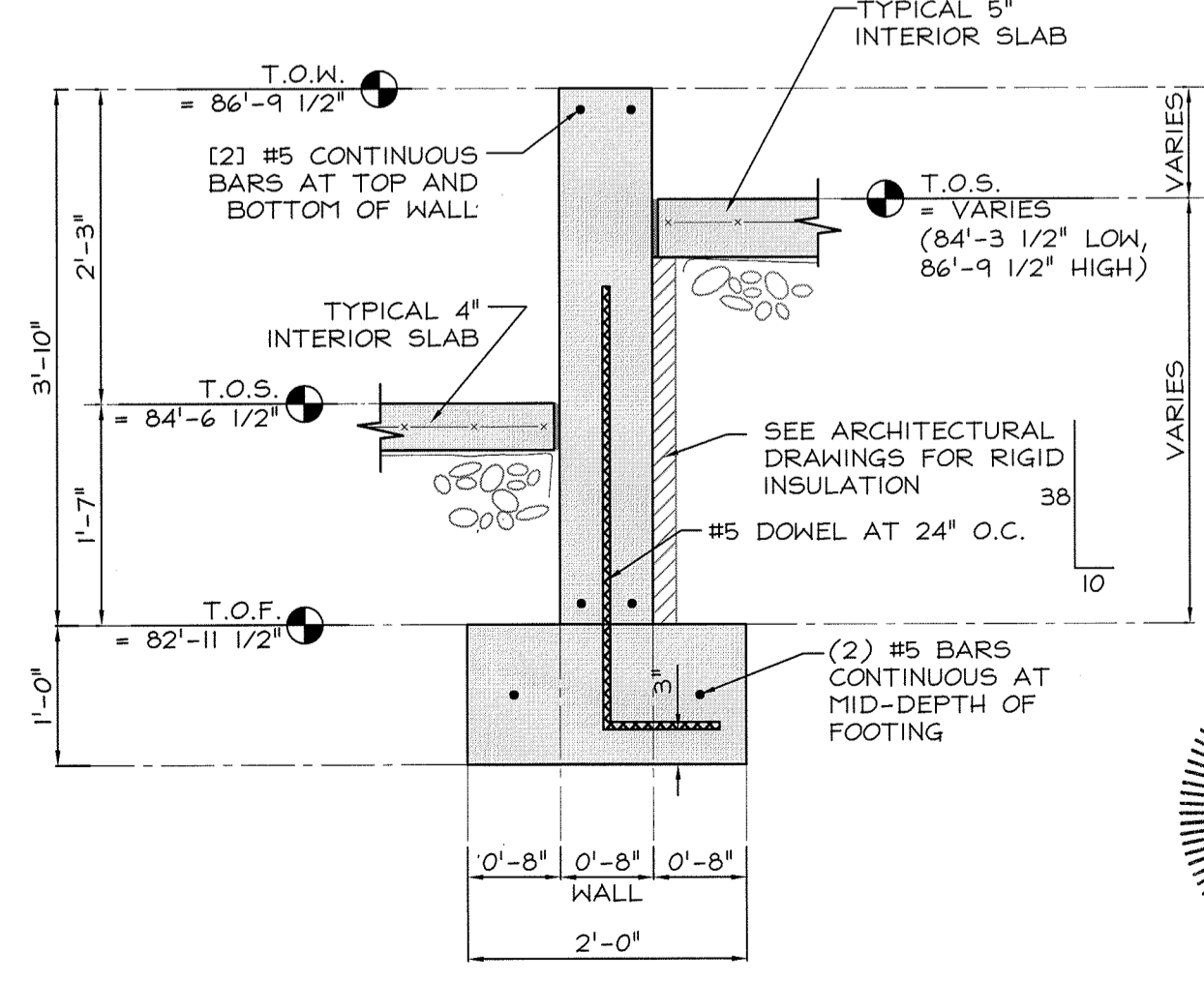
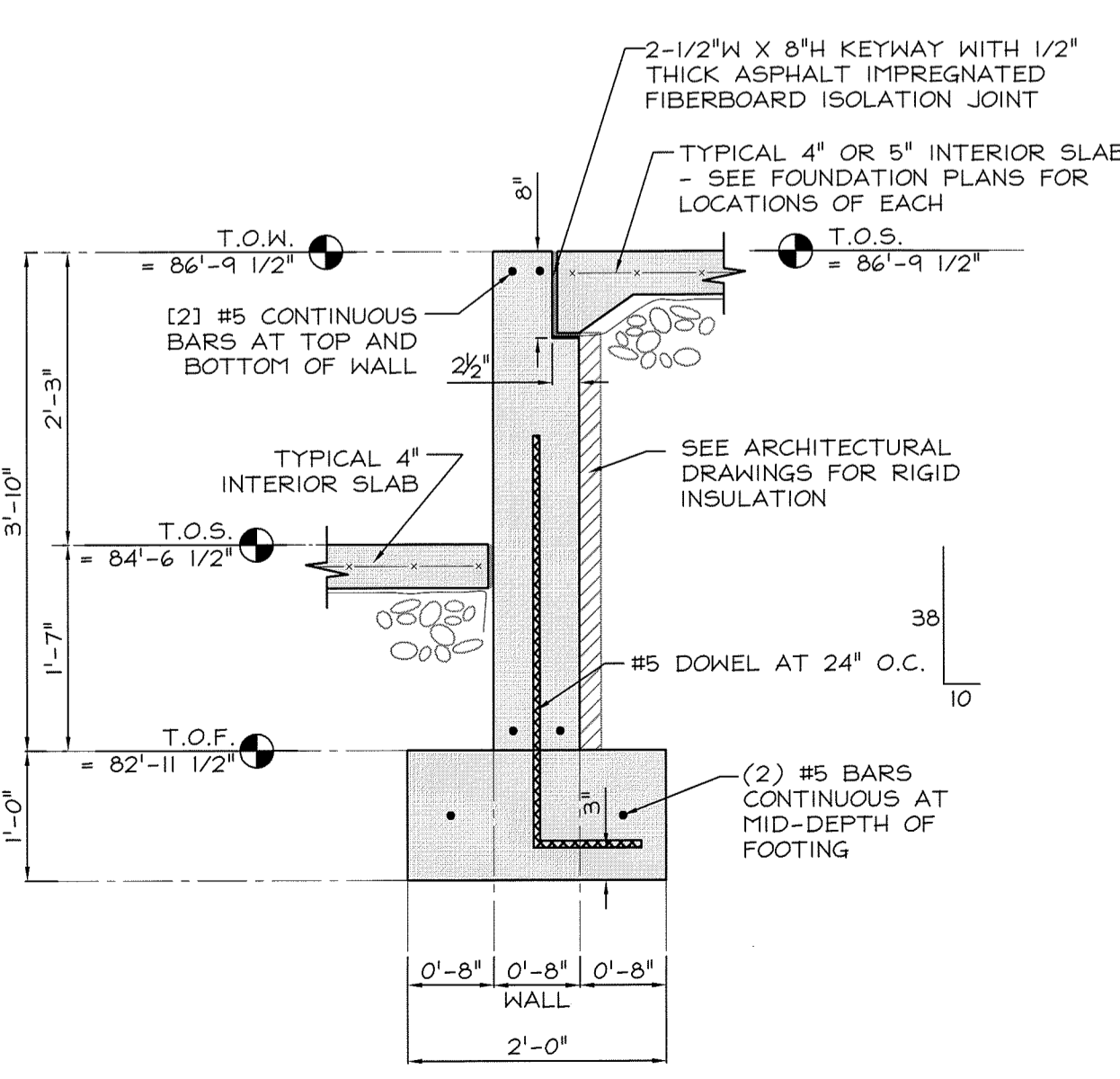
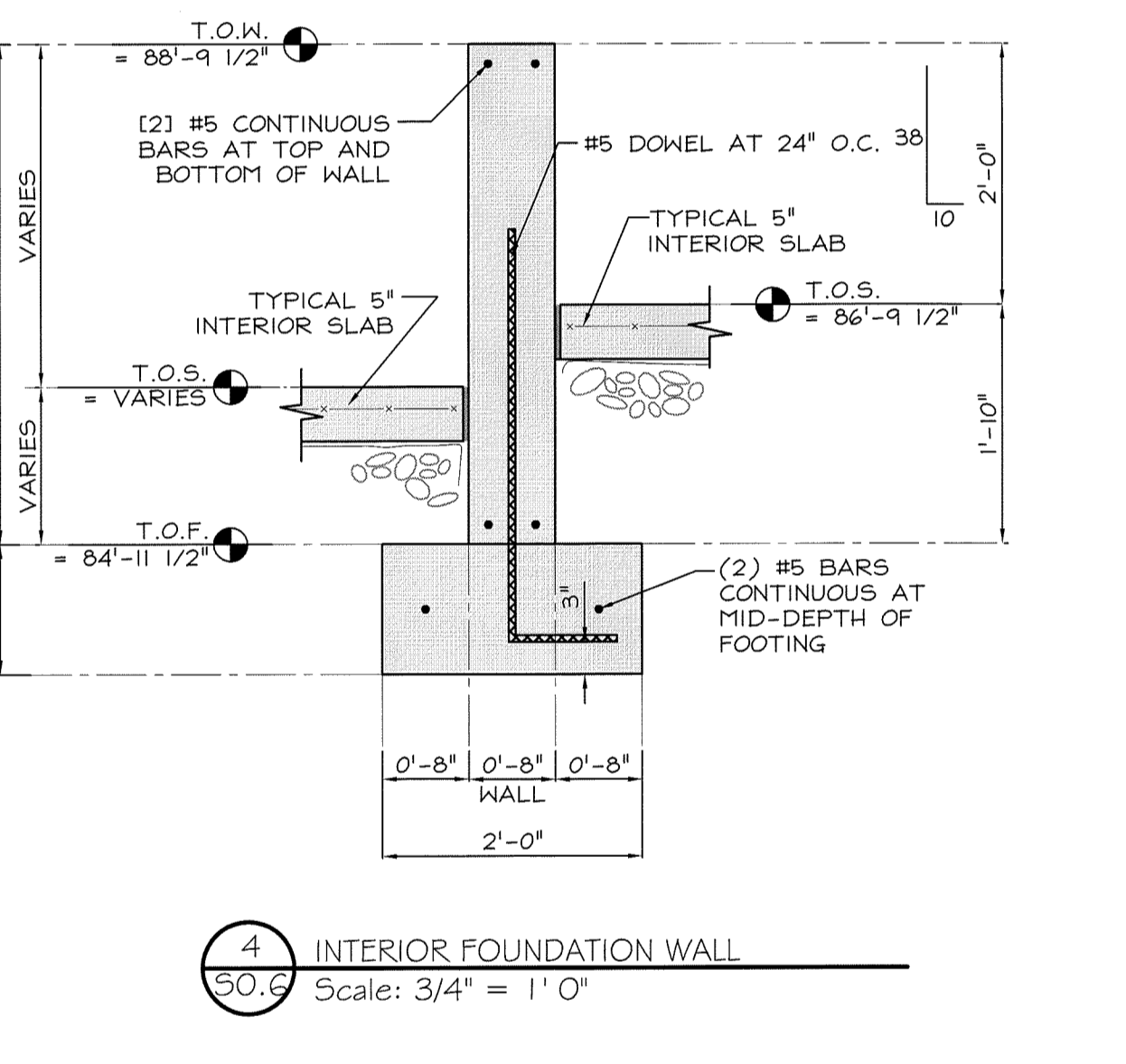
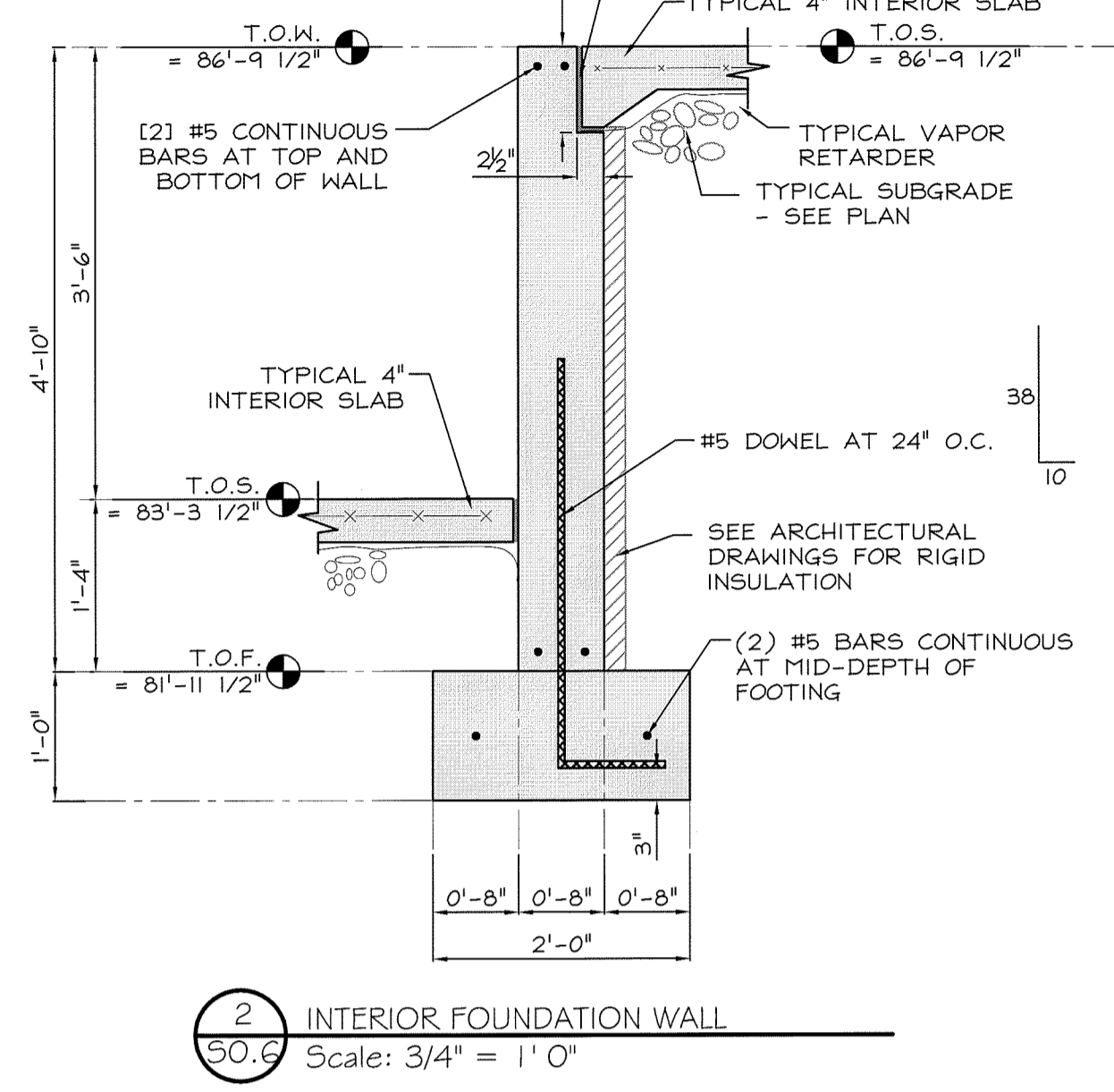
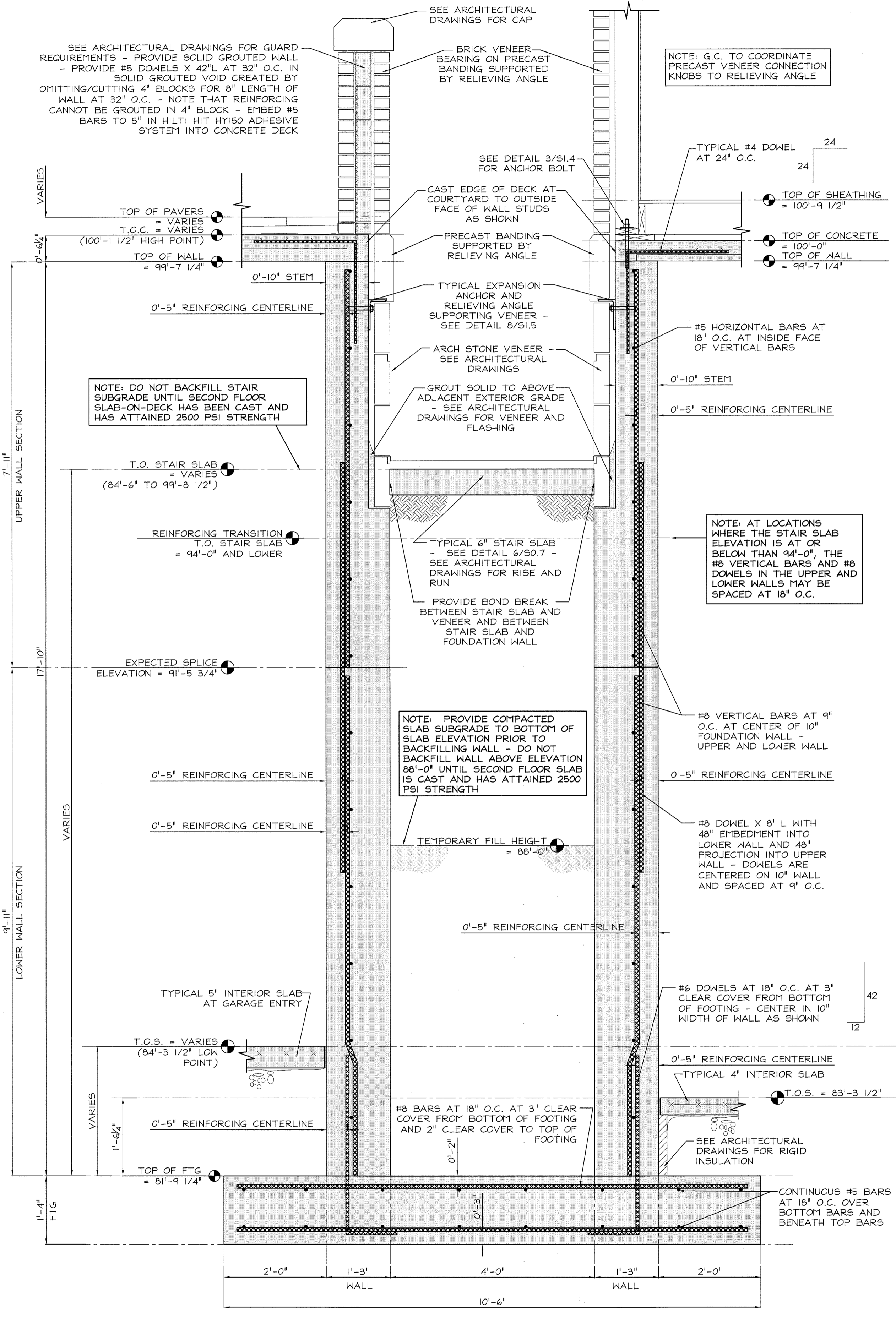


4A FOUNDATION WALL

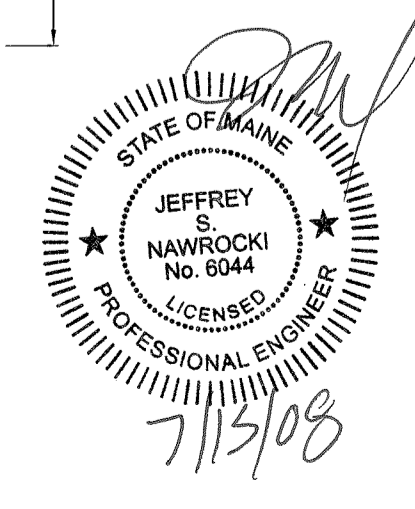


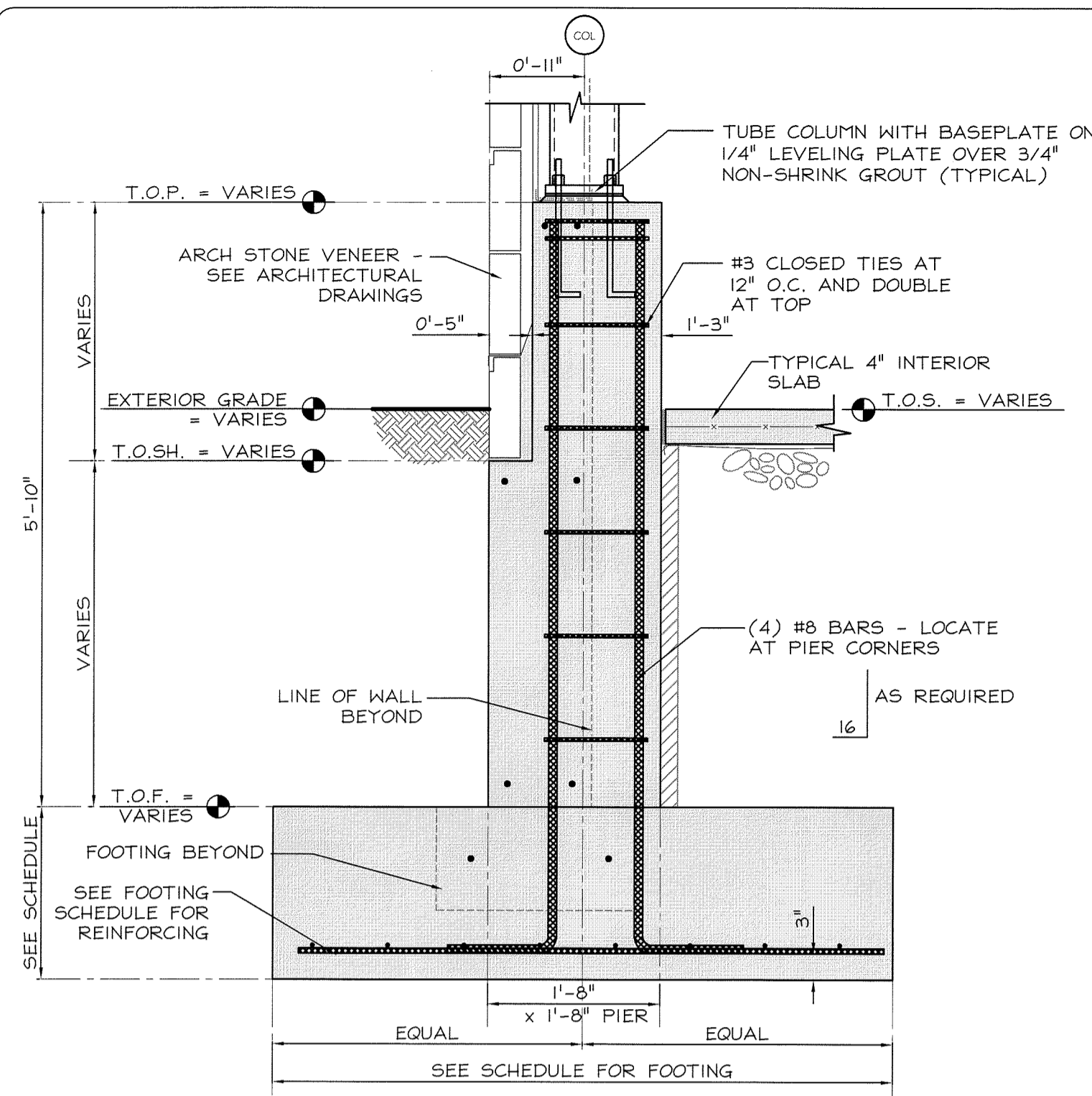
5 FOUNDATION WALL
 Scale: 3/4" = 1'-0"



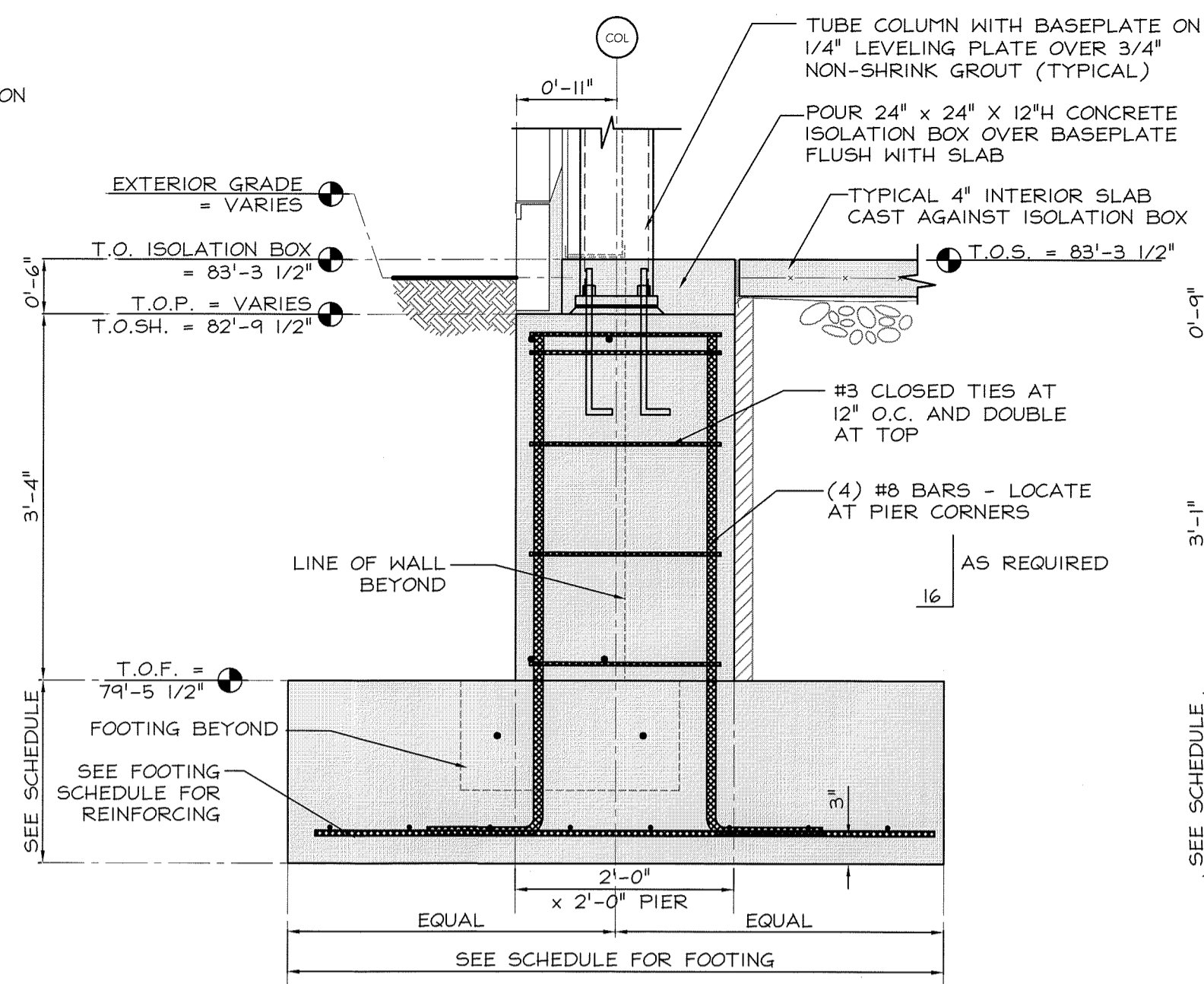


- NOTE:
1. GEOTECHNICAL ENGINEER SHALL REVIEW FOOTING LOCATIONS AND LOADING, AND RECOMMEND SCHEDULE OF AGGREGATE PIERS TO LIMIT DIFFERENTIAL SETTLEMENT OF BUILDING FOUNDATION STRUCTURES.
 2. PROVIDE RAMMED AGGREGATE PIERS OR GROUTED RAMMED AGGREGATE PIERS AS SPECIFIED BY THE GEOTECHNICAL ENGINEER.
 3. PIERS ARE EXPECTED TO BE REQUIRED BENEATH ALL OF THE FOOTINGS (SHOWN SHADED), AT INTERIOR COLUMNS, SHOWN TO THE LEFT OF THE SEPARATION LINE, EXCEPT WHERE DETERMINED BY GEOTECHNICAL ENGINEER AND APPROVED BY E.O.R. AS NOT REQUIRING PIERS.
 4. PIERS ARE REQUIRED BENEATH ALL WALL FOOTINGS (SHOWN SHADED) BENEATH FULL HEIGHT FOUNDATION (T.O.W. 99'-7 1/4") SHOWN TO THE LEFT OF THE SEPARATION LINE, EXCEPT WHERE DETERMINED BY GEOTECHNICAL ENGINEER AND APPROVED BY E.O.R. AS NOT REQUIRING PIERS.
 5. PIERS ARE REQUIRED BENEATH ELEVATOR PIT FOOTINGS (SHOWN SHADED).

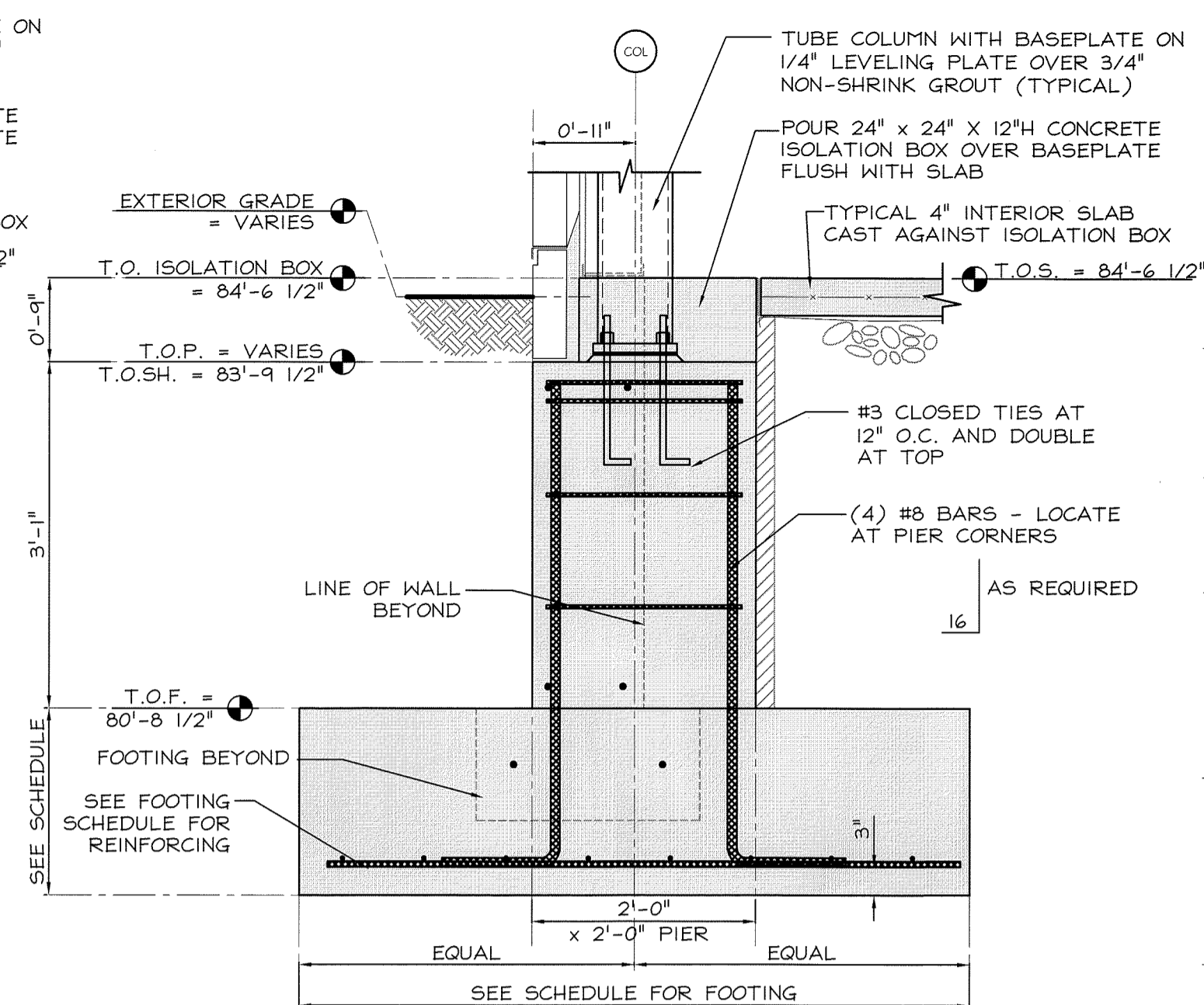




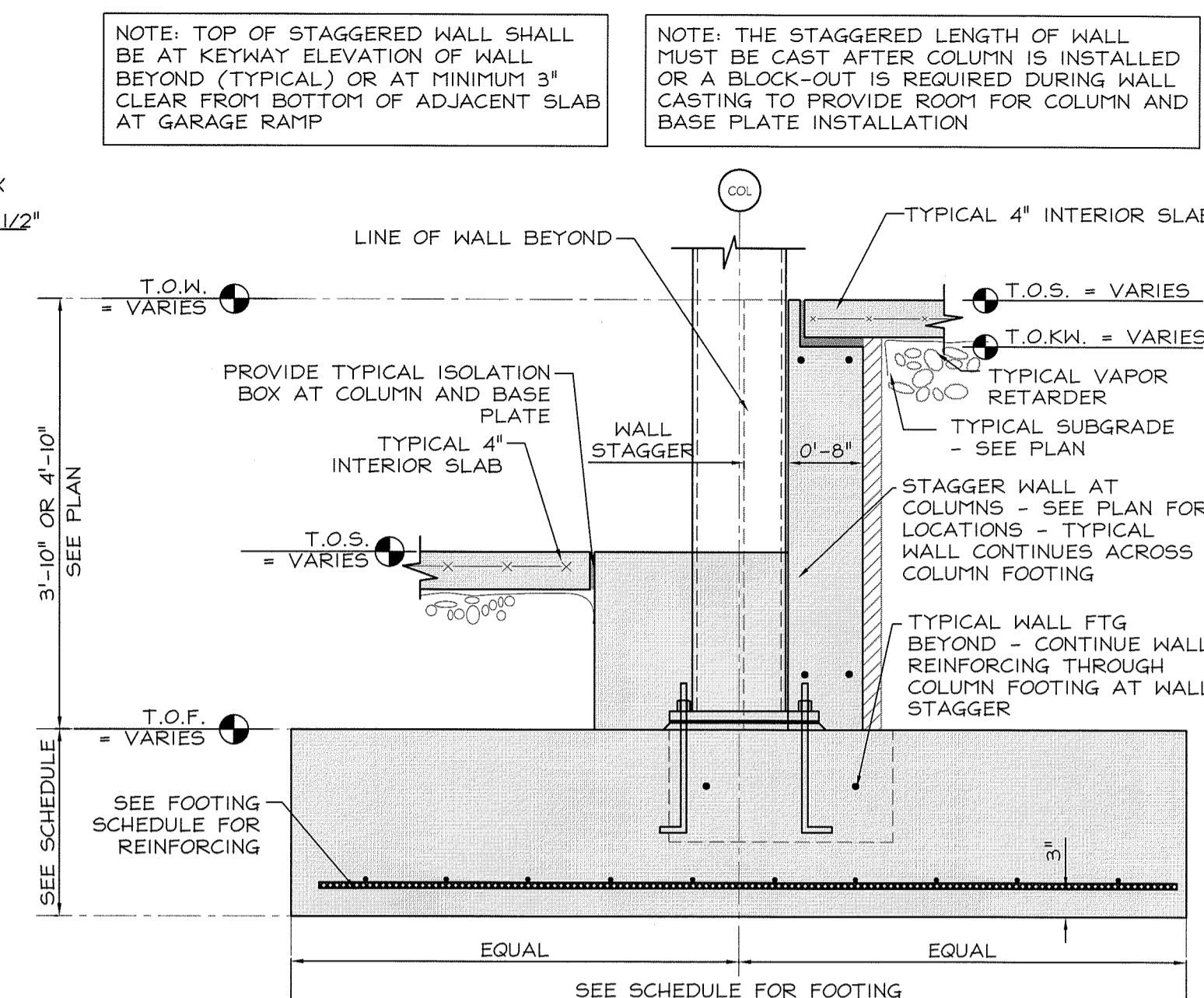
1 INTERIOR COLUMN PIER
Scale: 3/4" = 1'-0"



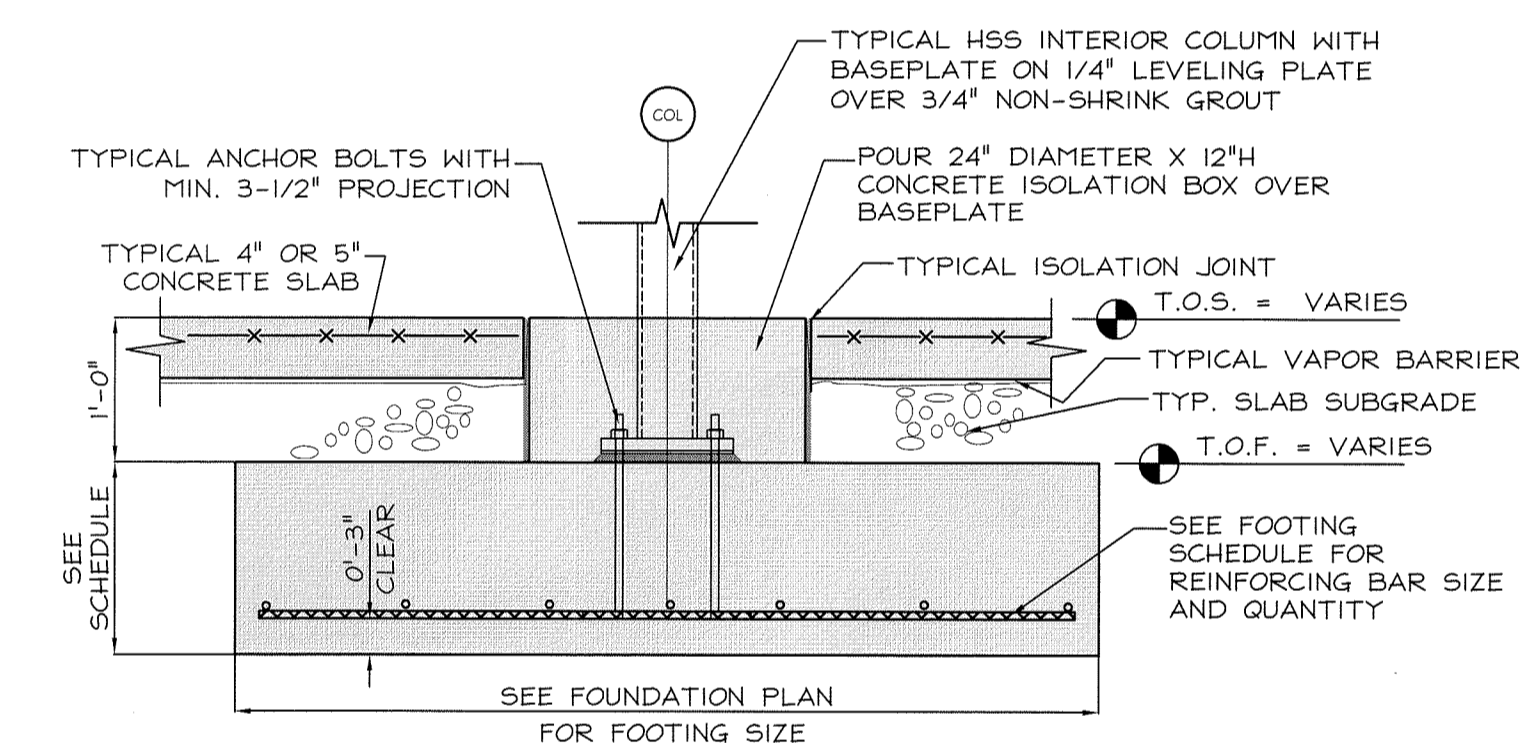
2 PIER AT INTERIOR WALL
Scale: 3/4" = 1'-0"



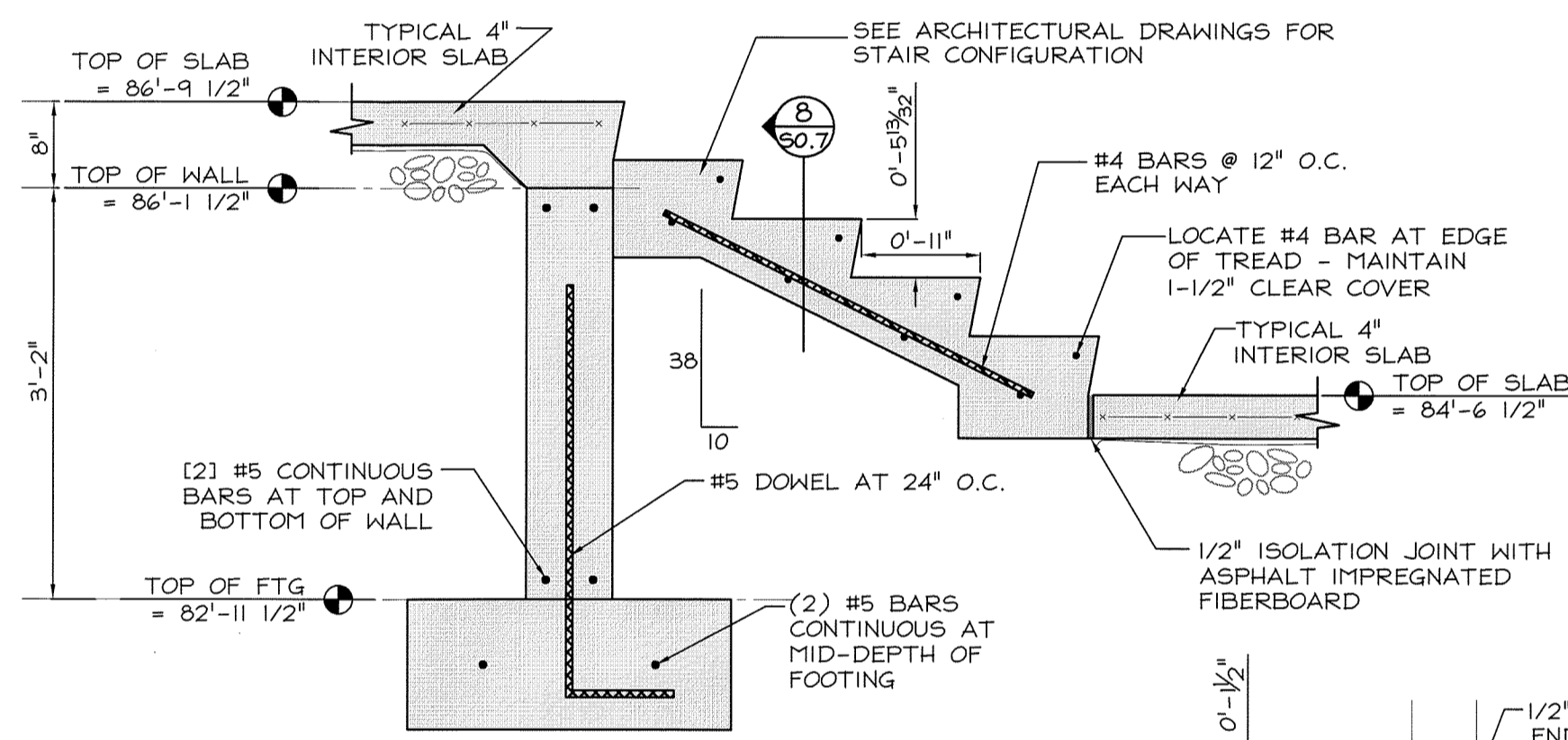
3 PIER AT EXTERIOR WALL
Scale: 3/4" = 1'-0"



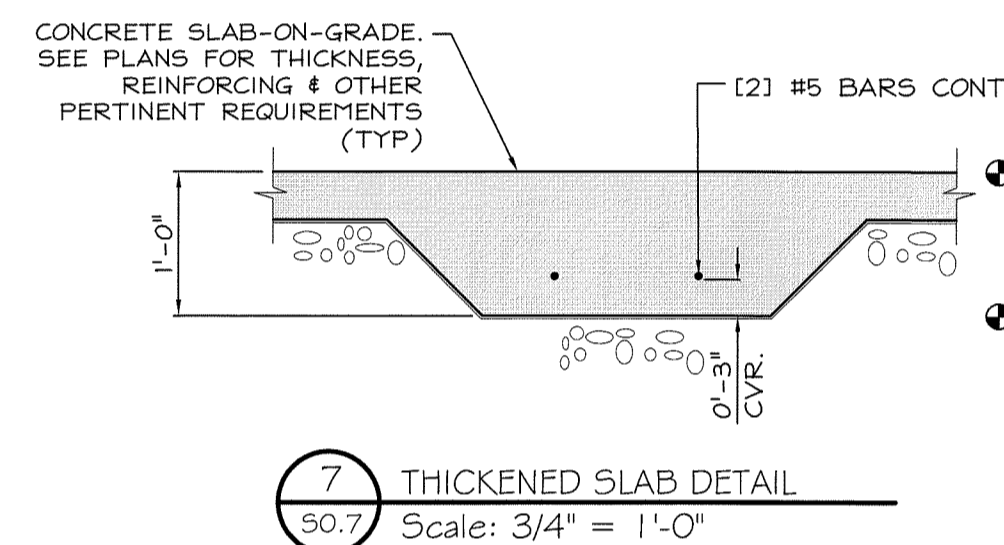
4 COLUMN AT INTERIOR WALL
Scale: 3/4" = 1'-0"



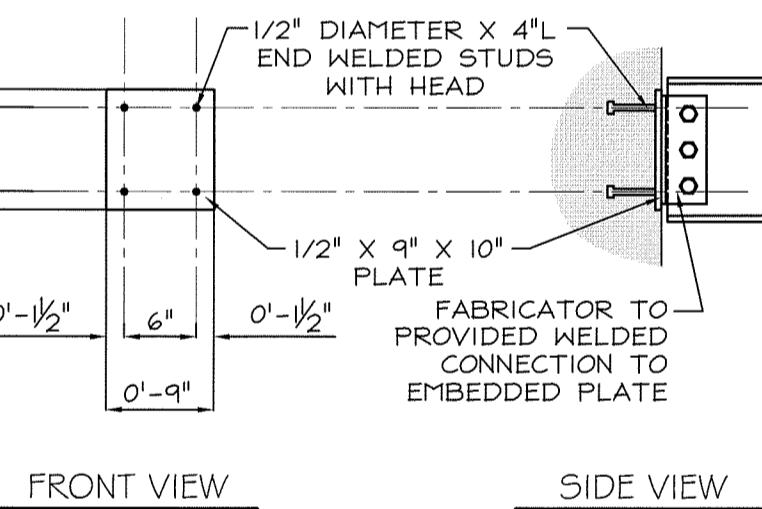
5 INTERIOR FOOTING
Scale: 3/4" = 1'-0"



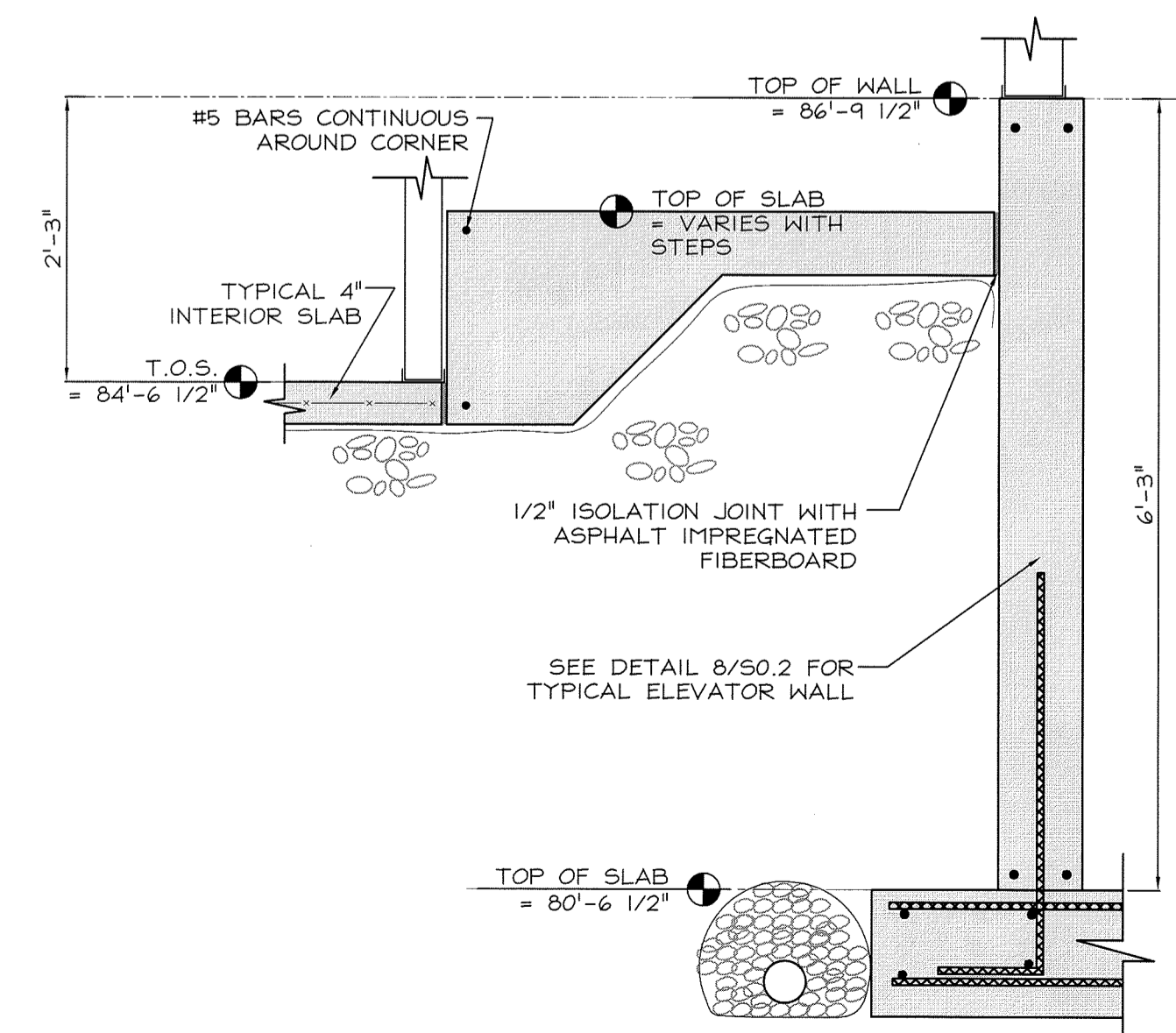
6 CONCRETE STAIR
Scale: 3/4" = 1'-0"



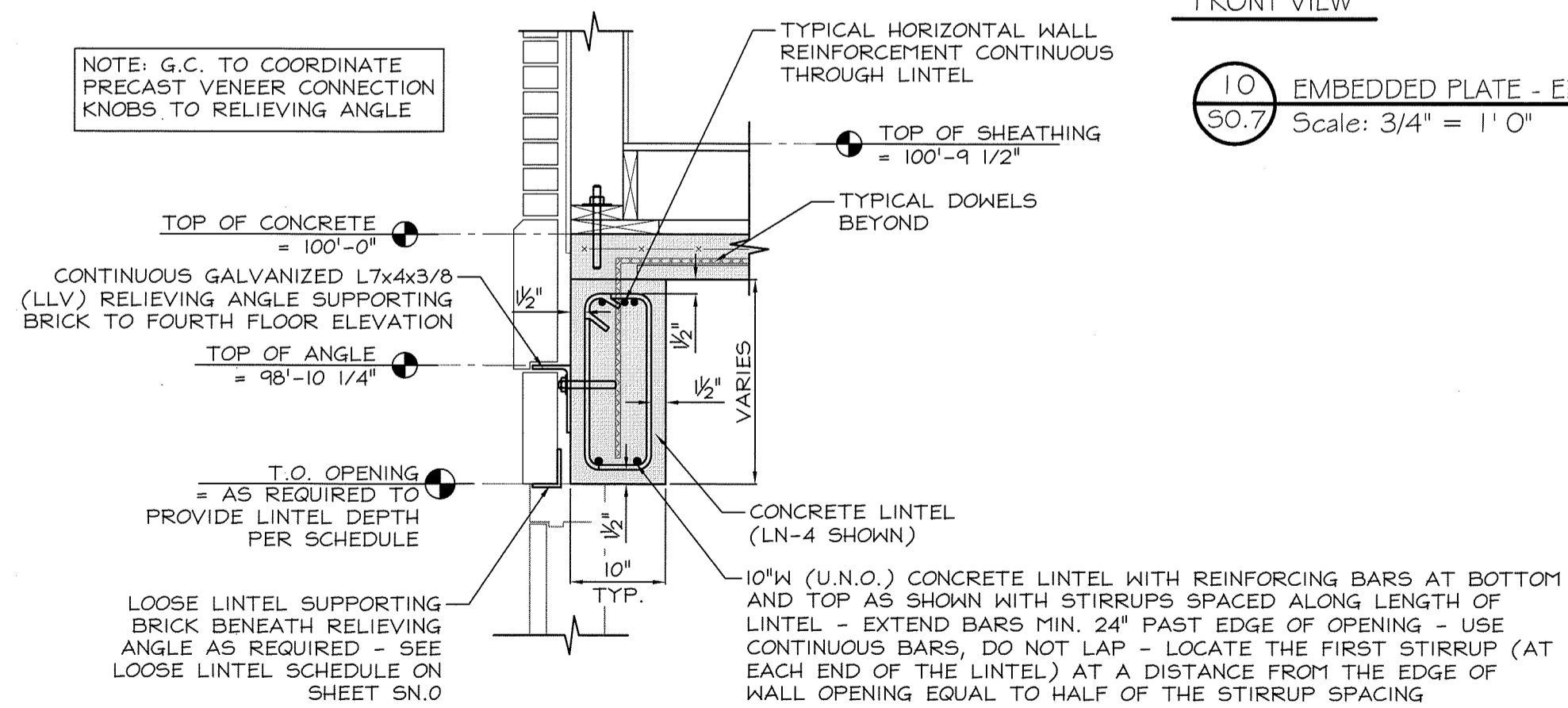
7 THICKENED SLAB DETAIL
Scale: 3/4" = 1'-0"



10 EMBEDDED PLATE - EP-1
Scale: 3/4" = 1'-0"



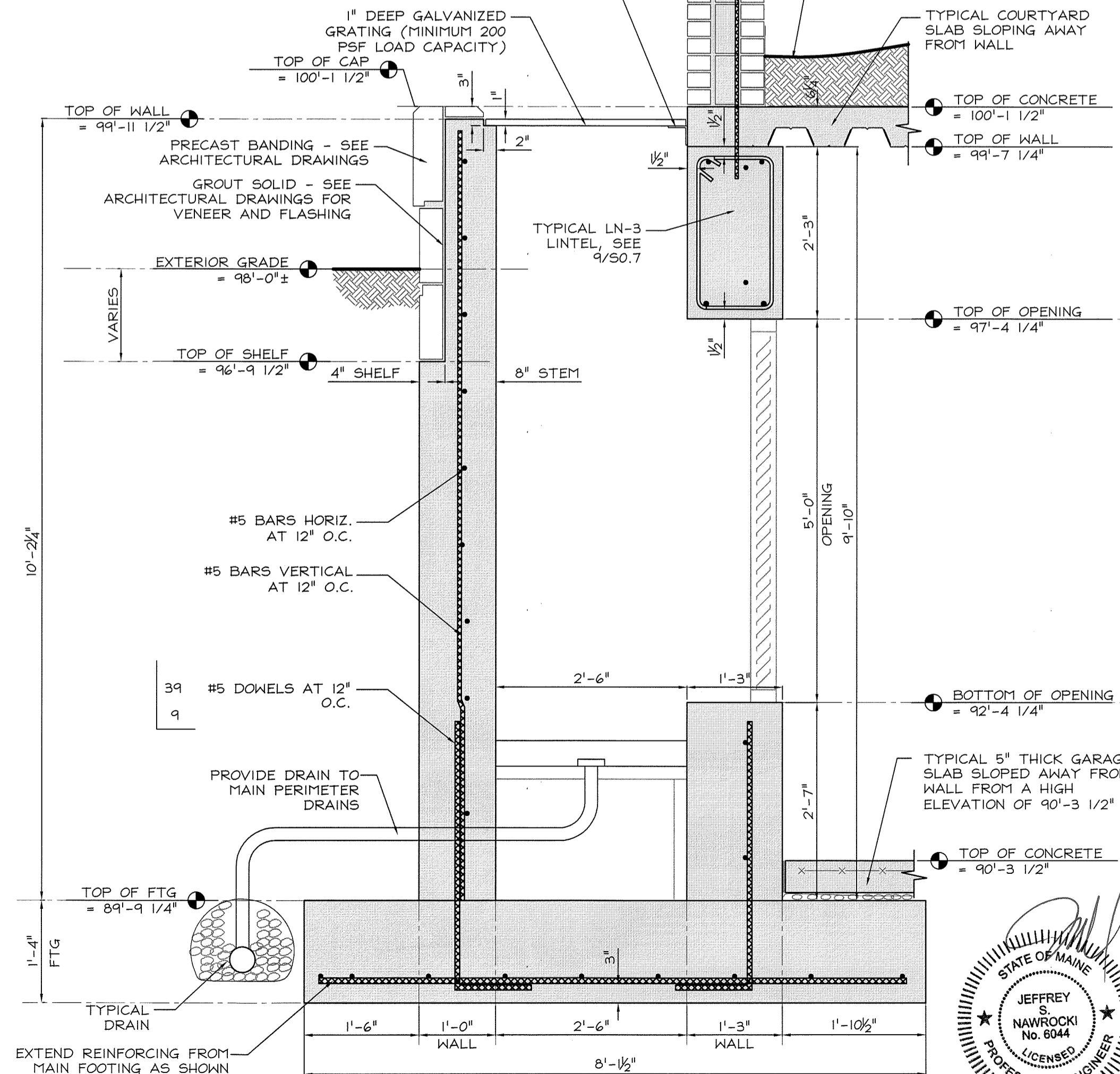
8 CONCRETE STAIR
Scale: 3/4" = 1'-0"



LINTEL	LINTEL DEPTH	R.O. WIDTH	BOTTOM BARS	STIRRUPS	NOTES
LN-1	4'-0 1/4"	72"	(2) #6 BARS	#3 AT 16" O.C.	
LN-2	4'-0 1/4"	72"	(2) #6 BARS	#4 AT 9" O.C.	BEAM POCKET PK-5 OR PK-7
LN-3	2'-3"	60"	(2) #6 BARS	#3 AT 9" O.C.	15" WIDTH, EMBEDDED PLATE EP-1
LN-4	1'-9 1/4"	36"	(2) #6 BARS	#3 AT 9" O.C.	
LN-5	5'-9 3/4"	76"	(2) #6 BARS	#3 AT 16" O.C.	

ALL TOP AND BOTTOM BARS SHALL CONTINUE PAST EXTENTS OF OPENING A MINIMUM OF 24". MAINTAIN A CLEAR DISTANCE OF 1-1/2" CLEAR CONCRETE COVER TO STIRRUPS. ALL LINTELS SHALL HAVE (2) #5 BARS AT TOP OF STIRRUPS.

9 FOUNDATION WALL LINTELS
Scale: 3/4" = 1'-0"



11 SECTION AT AREAWAY
Scale: 3/4" = 1'-0"

