

Revisions
 1/29/2012-INDERS, LAB PIPING FOR
 CONSTRUCTION - FOR PERMIT
 12/14/2012 - FOR PERMIT
 1/14/2013 - PLUMBING REVISIONS.
 2/6/2013 - 100% For Review
 and Comment

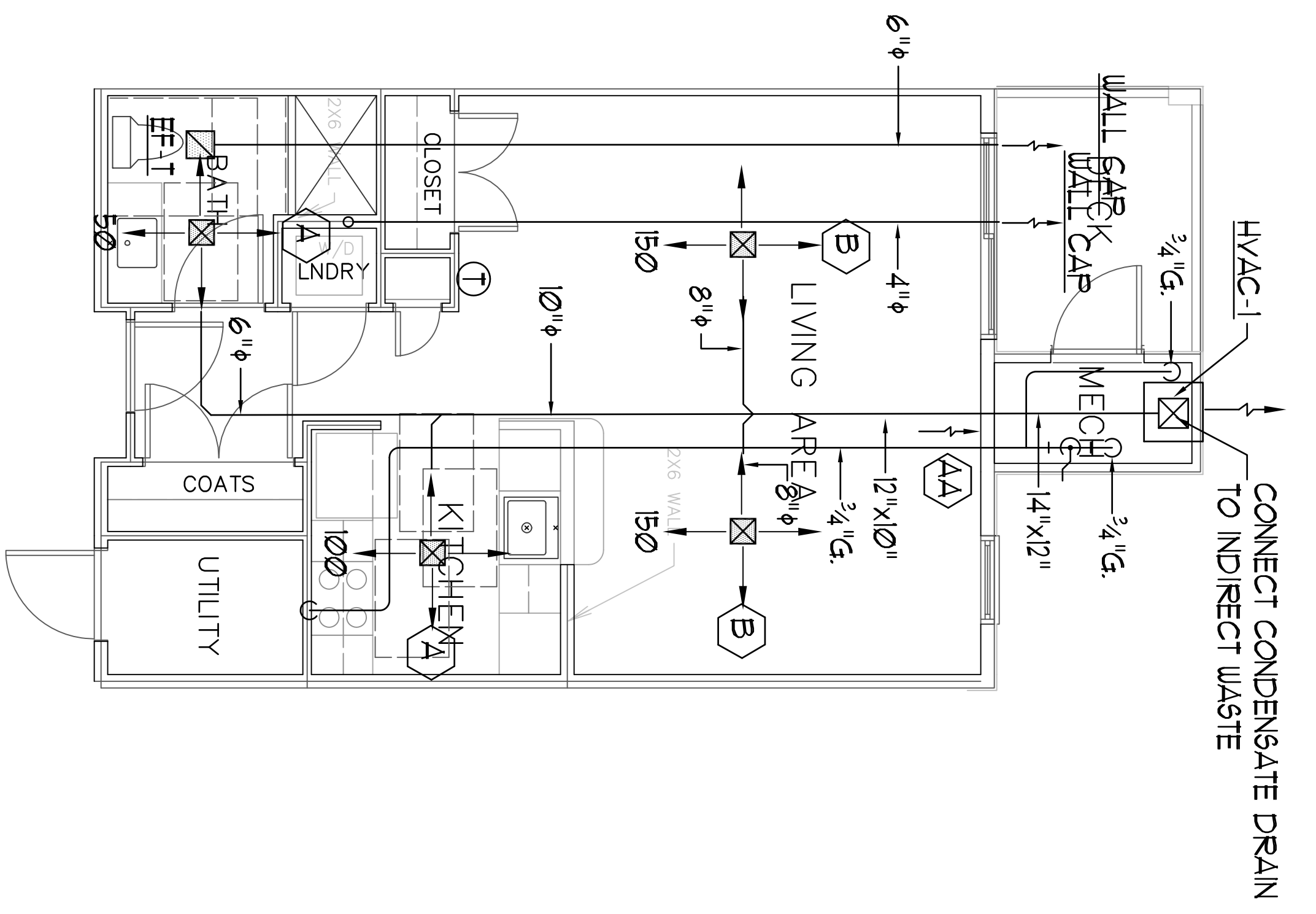
Bay House
 Portland, ME



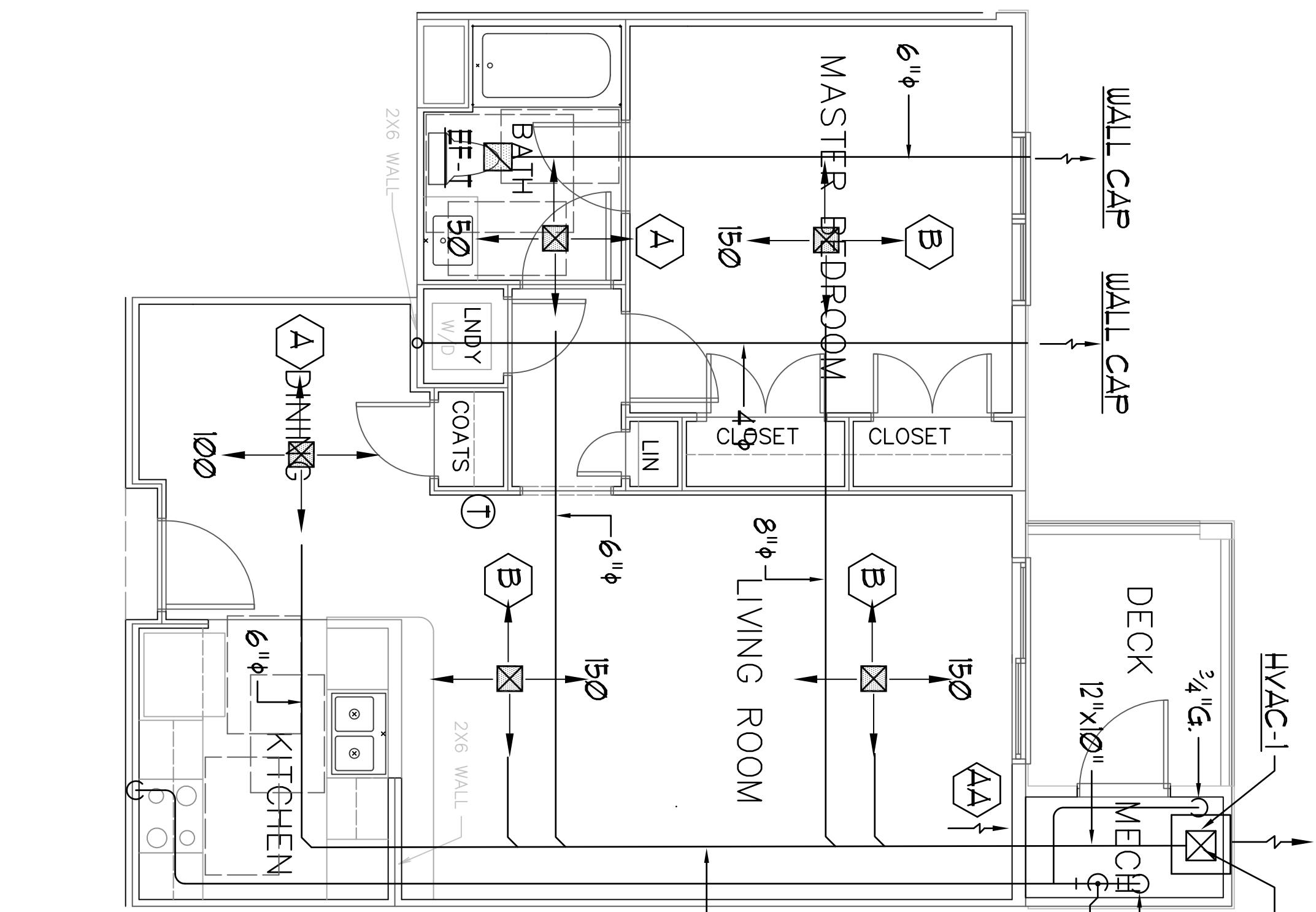
**BENNETT
 ENGINEERING**
 MECHANICAL • ELECTRICAL
 (207) 865-9475

Job No.: 3346
 Date: 12/14/12
 Scale: 1/8" = 1'-0" or A.N.
 Drawn by: SF Deel
 Checked by: SF Deel
 Drawing Title:
 Unit Plans

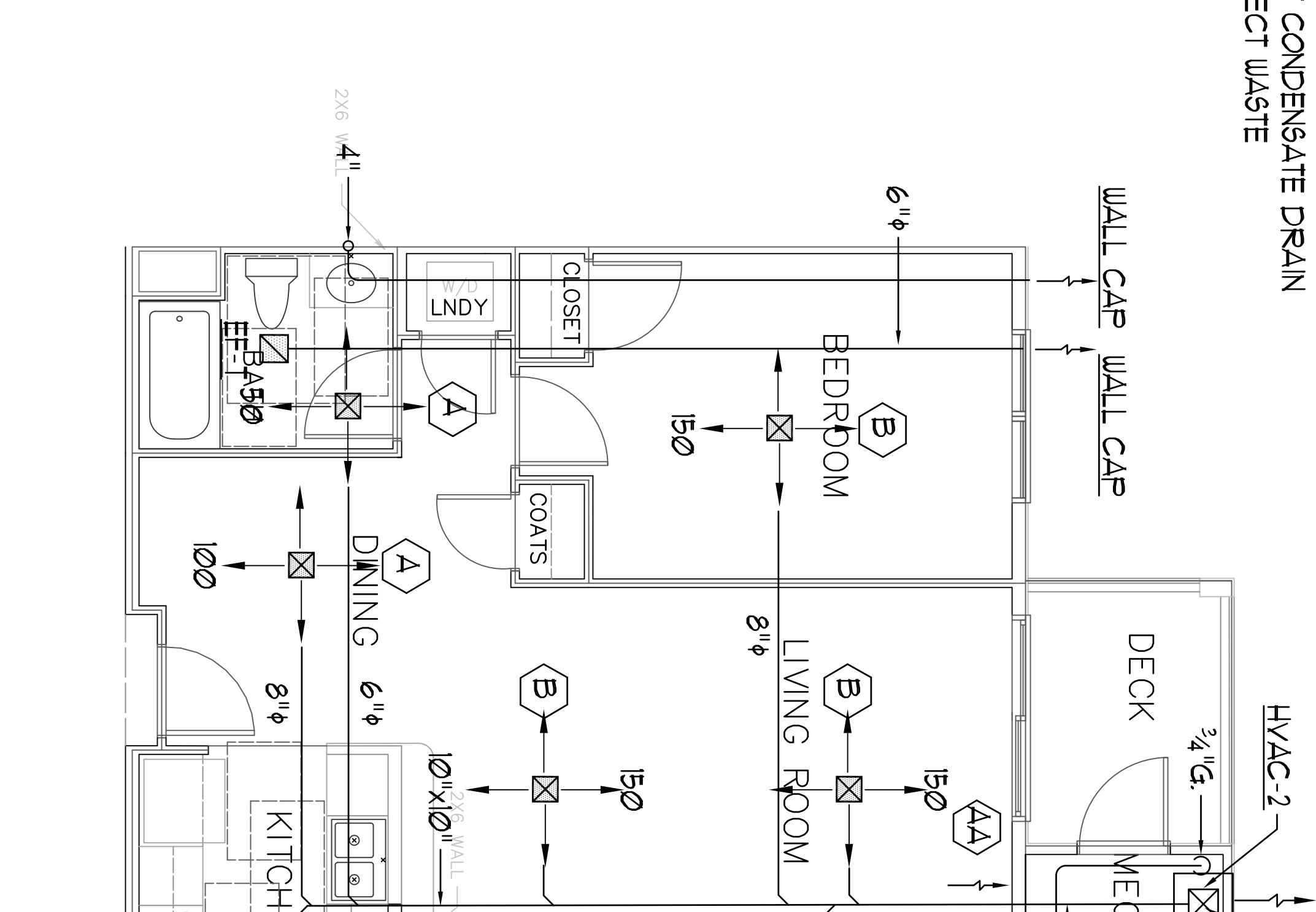
M.21



UNIT TYPE F
 SCALE: 1/4" = 1' 0"



UNIT TYPE G
 SCALE: 1/4" = 1' 0"



UNIT TYPE H
 SCALE: 1/4" = 1' 0"