


Revisions
 11/29/2012-UNDERSLAB PIPING FOR
 CORRECTION
 12/14/2012- FOR PERMIT
 1/14/2013- PLUMBING REVISIONS.
 2/6/2013- 100% For Review
 and Comment

Bay House
 Portland, ME

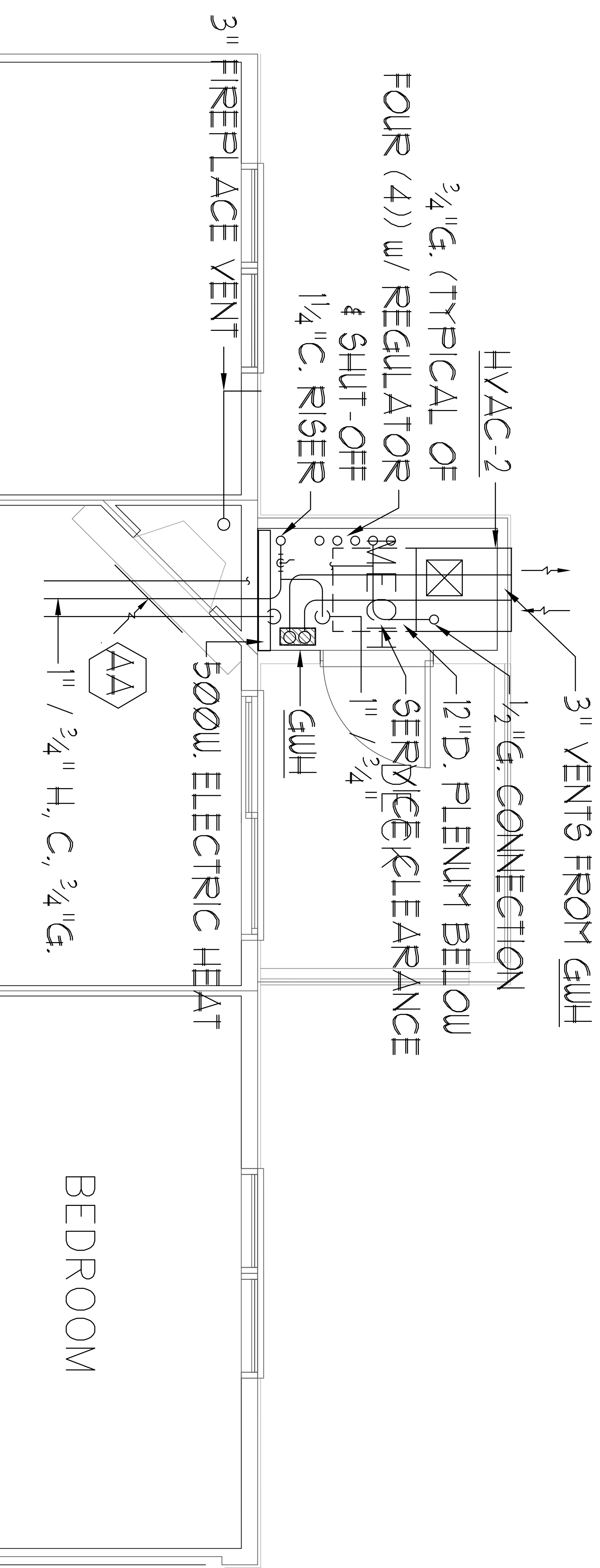


**BENNETT
 ENGINEERING**
 MECHANICAL • ELECTRICAL
 (207) 865-9475

Job No.: 3346
 Date: 12/14/12
 Scale: 1/8" = 1'-0" or A.N.
 Drawn by: SF Dvd
 Checked by: SF Dvd

Drawing Title:
Mechanical Room Plan

M.20



TYPICAL MECHANICAL ROOM LAYOUT
 1/2" = 1'-0"