

Revisions
 11/29/2012 - UNDERSLAB PIPING FOR
 CONSTRUCTION
 12/14/2012 - FOR PERMIT.

Bay House
 Portland, ME



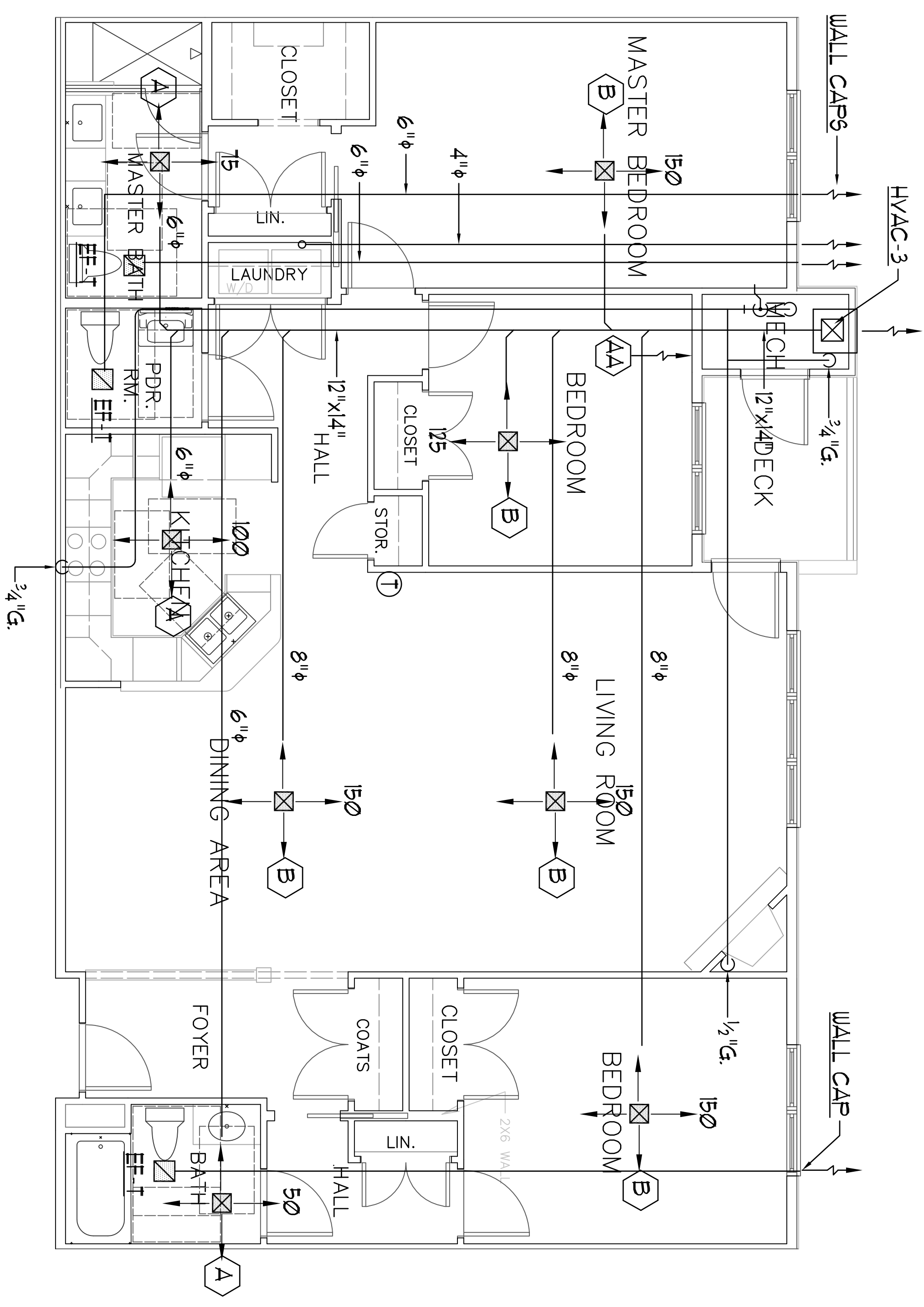
**BENNETT
 ENGINEERING**
 MECHANICAL • ELECTRICAL
 (207) 865-9475

Job No.: 3346
 Date: 12/4/12
 Scale: 1/8" = 1'-0" or A.N.
 Drawn by: SF Doel
 Checked by: SF Doel

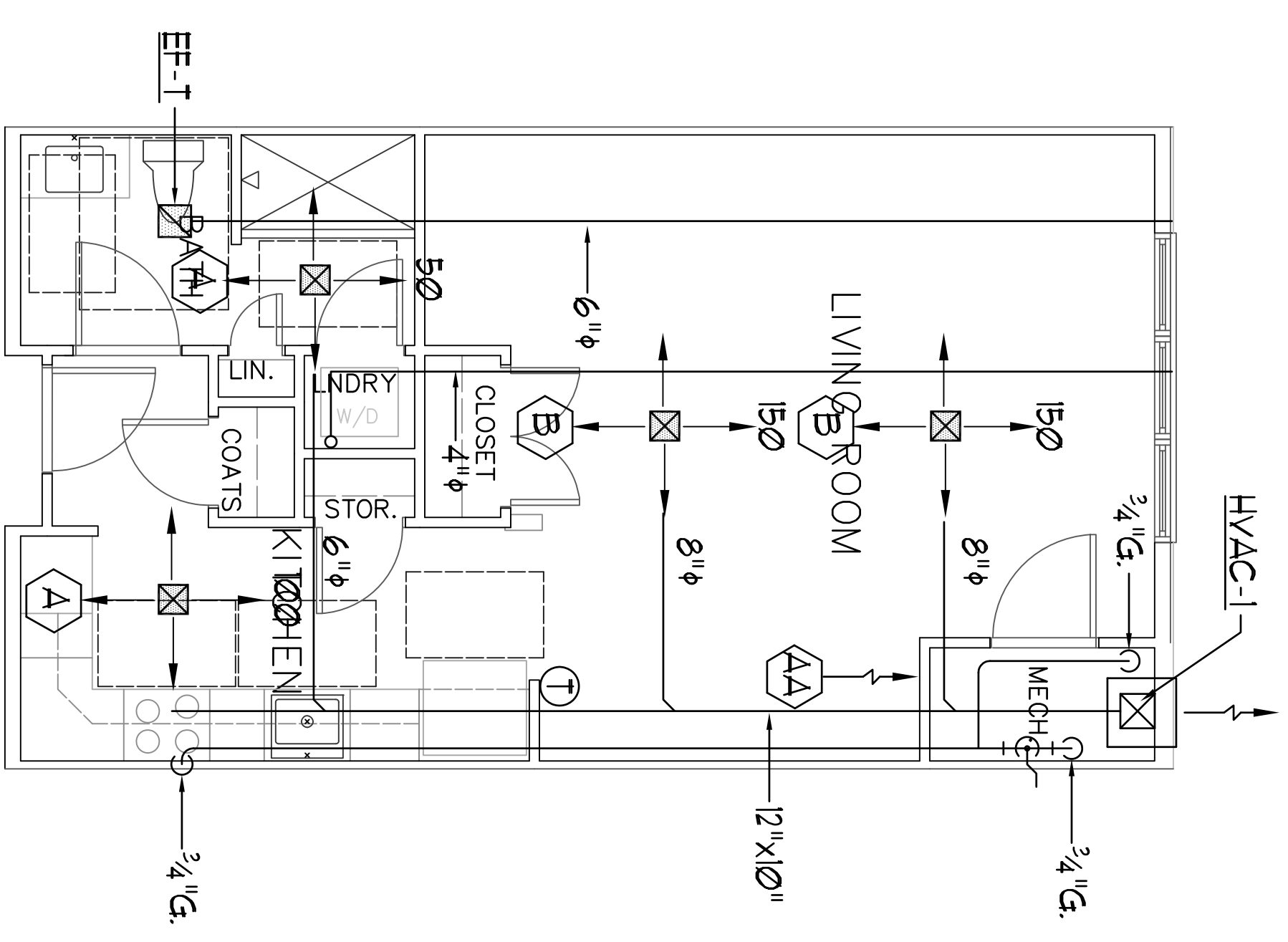
Drawing Title:
 Unit Plans

M.16

**Atlantic Comfort
 Systems, Inc.**
 Mechanical Contractor • 807-884-4390
 882 Hill Street, Bridgford, ME 04005
 www.atlanticcomfort.com



UNIT TYPE S
 SCALE: 1/4" = 1' 0"



UNIT TYPE R
 SCALE: 1/4" = 1' 0"