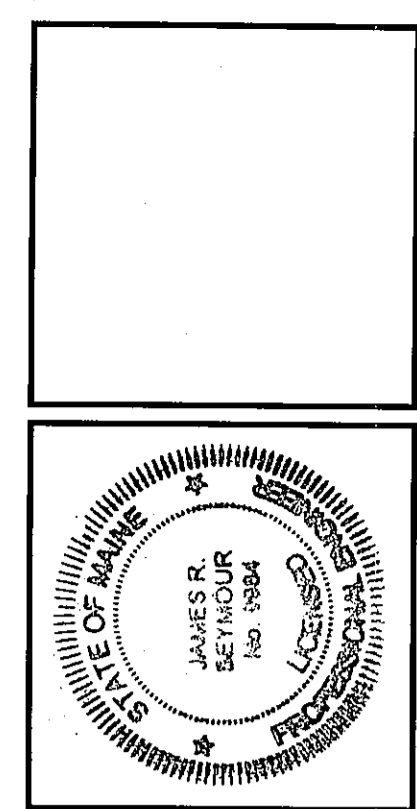
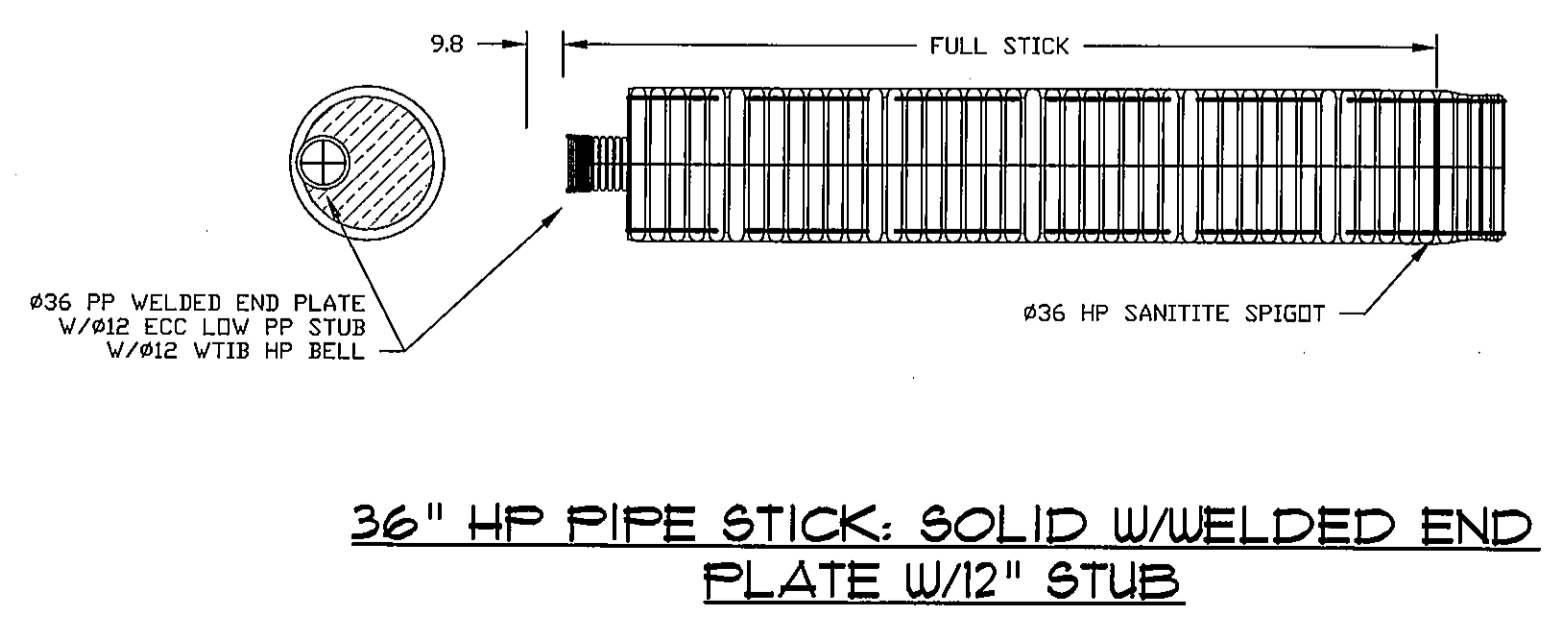
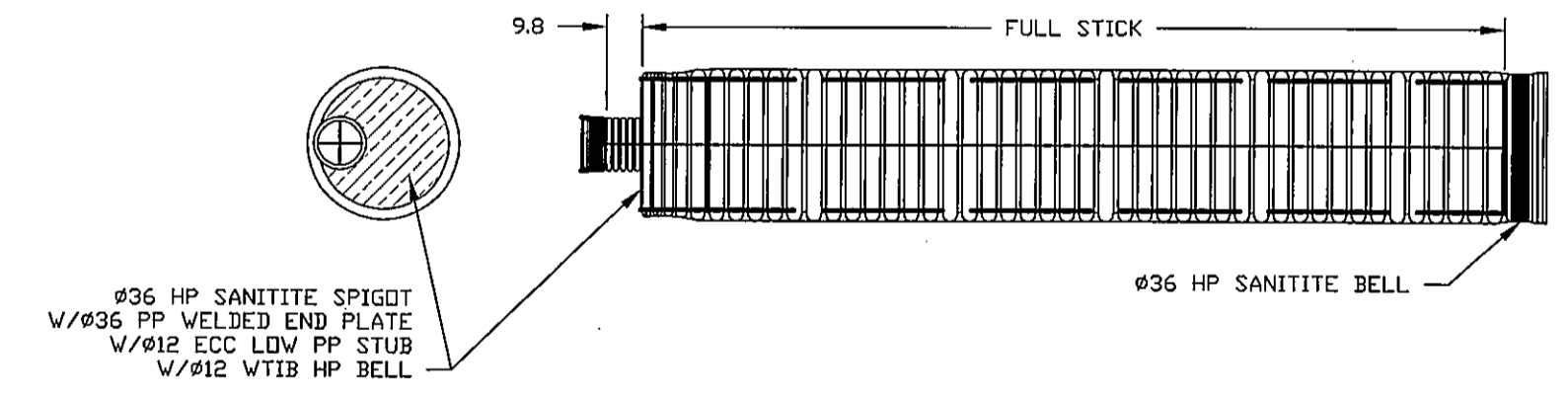
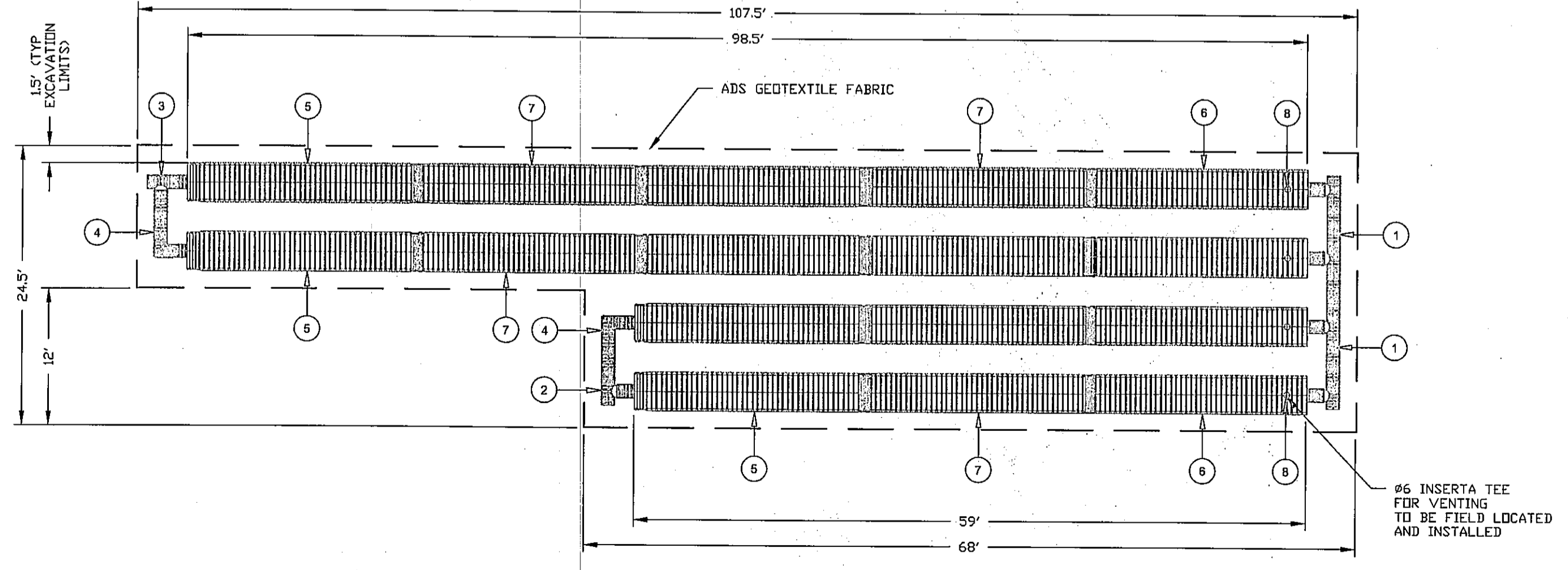


**BILL OF MATERIALS**  
\*THE COMPONENTS AND QUANTITIES LISTED HEREIN ARE NOT INTENDED TO BE A COMPREHENSIVE MATERIAL LIST. EXTRA COMPONENTS, NOT LISTED HEREIN, MAY BE NECESSARY TO COMPLETE THE CONSTRUCTION OF THE SYSTEM.

ITEM	QTY.	PART #	DESCRIPTION	MATERIAL	VENDOR	NOTE
1	2	MANIFOLD-1	12" CUSTOM DOUBLE MANIFOLD TEE	PP	ADS	SEE DETAIL
2	1	MANIFOLD-2	12" CUSTOM SINGLE MANIFOLD TEE	PP	ADS	SEE DETAIL
3	1	MANIFOLD-3	12" CUSTOM SINGLE MANIFOLD TEE	PP	ADS	SEE DETAIL
4	2	BEND-1	12" X 90° CUSTOM MANIFOLD BEND	PP	ADS	SEE DETAIL
5	4	STICK-1	36" PIPE STICK: SOLID	PP	ADS	SEE DETAIL
6	4	STICK-2	36" PIPE STICK: SOLID	PP	ADS	SEE DETAIL
7	8	3630-0208HP	36" PIPE STICK: SOLID	PP	ADS	SEE DETAIL
8	4	TBD	6" INSERTA TEE	AS SPECIFIED	ADS	FIELD LOCATE
9	3	1215AA	12" WT BELL BELL COUPLER	ADS	NOT SHOWN	
1	1	TBD BY ENGINEER	ADS GEOTEXTILE FABRIC	AS SPECIFIED	ADS	AS NEEDED



REV.	DATE	STATUS
B	05-05-12	REVISED PER CONDITIONS OF APPROVAL
A	05-11-12	ISSUED TO CITY FOR REVIEW
JRS		DESIGNED
JRS		CHECKED
JRS		DESIGNED
JRS		CHECKED

THIS PLAN SHALL NOT BE MODIFIED WITHOUT WRITTEN PERMISSION FROM SEBAGO TECHNICS, INC. ANY ALTERATIONS, AUTHORIZED OR OTHERWISE, SHALL BE AT THE USER'S SOLE RISK AND WITHOUT LIABILITY TO SEBAGO TECHNICS, INC.

**SEBAGO TECHNICS**  
75 John Richards Rd., Suite B  
Lebanon, ME 04108  
Tel. 207-785-5956

PROJECT NO. 10 FIELD BOOK DESIGN CHD  
05/09 JRS WTC JRS

ADS RETENTION SYSTEM DETAILS  
OF: THE BAY HOUSE  
112-113 NEWBURY STREET / 40 HANCOCK STREET  
PORTLAND, MAINE  
FOR: THE VILLAGE AT OCEAN GATE, LLC  
35 FAX STREET, SUITE 107B  
BOSTON, MA 02118-4320