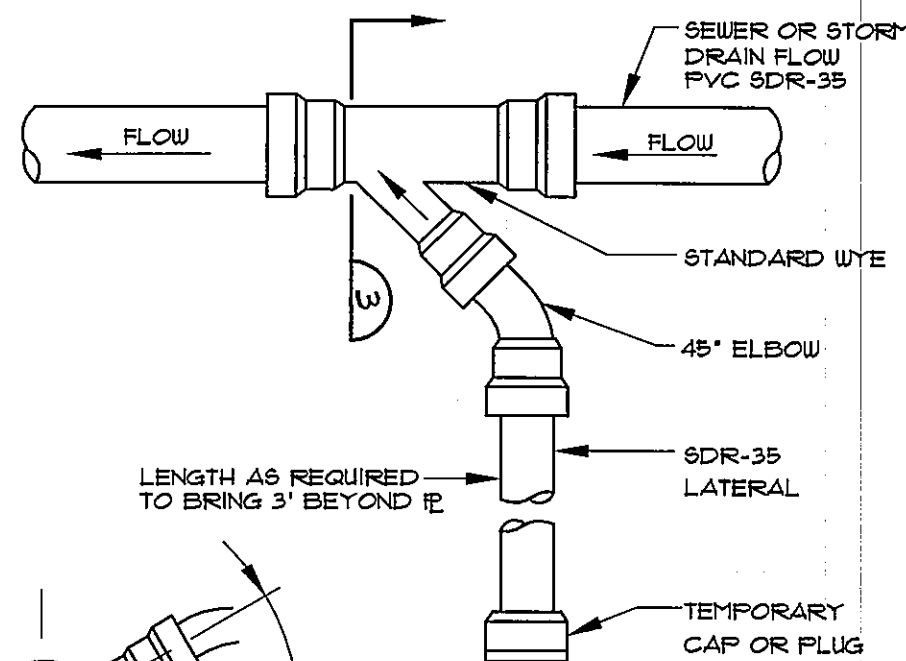


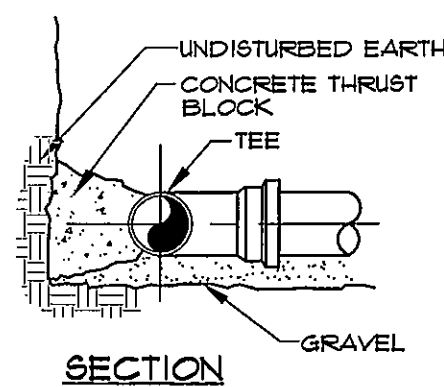
1 SEWER CLEANOUT  
NOT TO SCALE



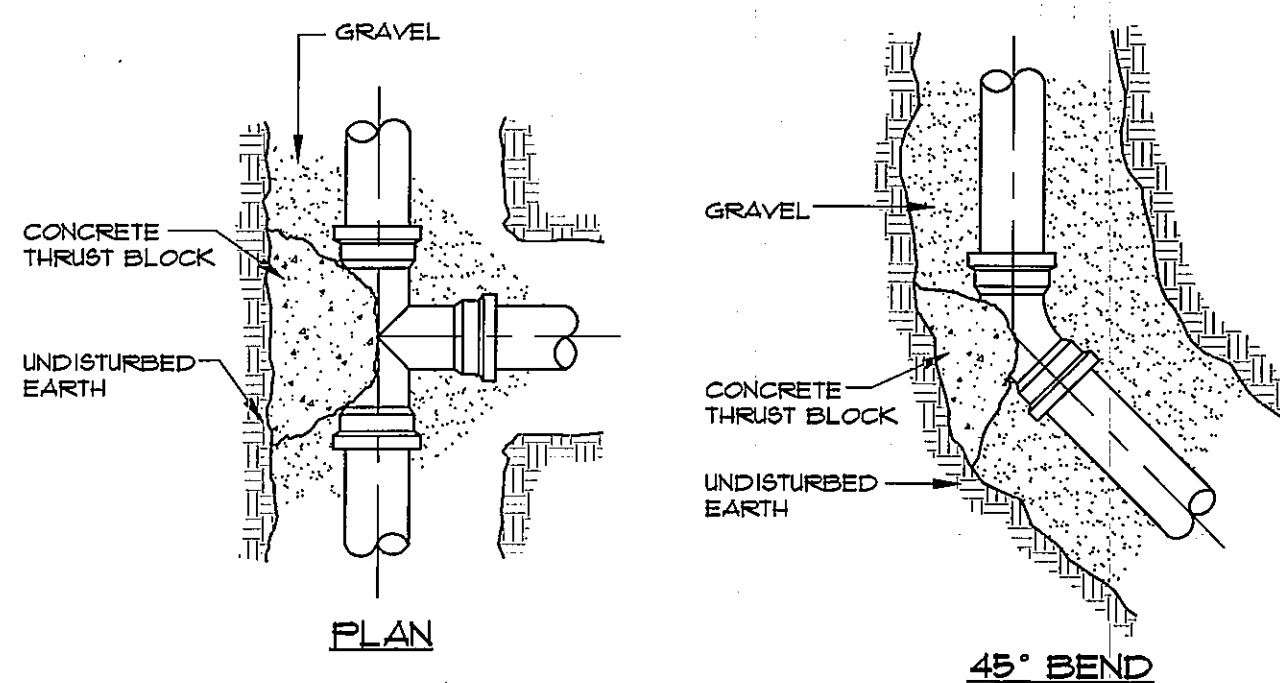
- NOTES:
1. INSTALL BACKFLOW VALVE WITH RUBBER SEAL IN EACH FOUNDATION DRAIN SERVICE.
  2. IF SUMP PUMP IS UTILIZED INSTALL CHECK VALVE AT SUMP PUMP.

SECTION 3  
N.T.S.

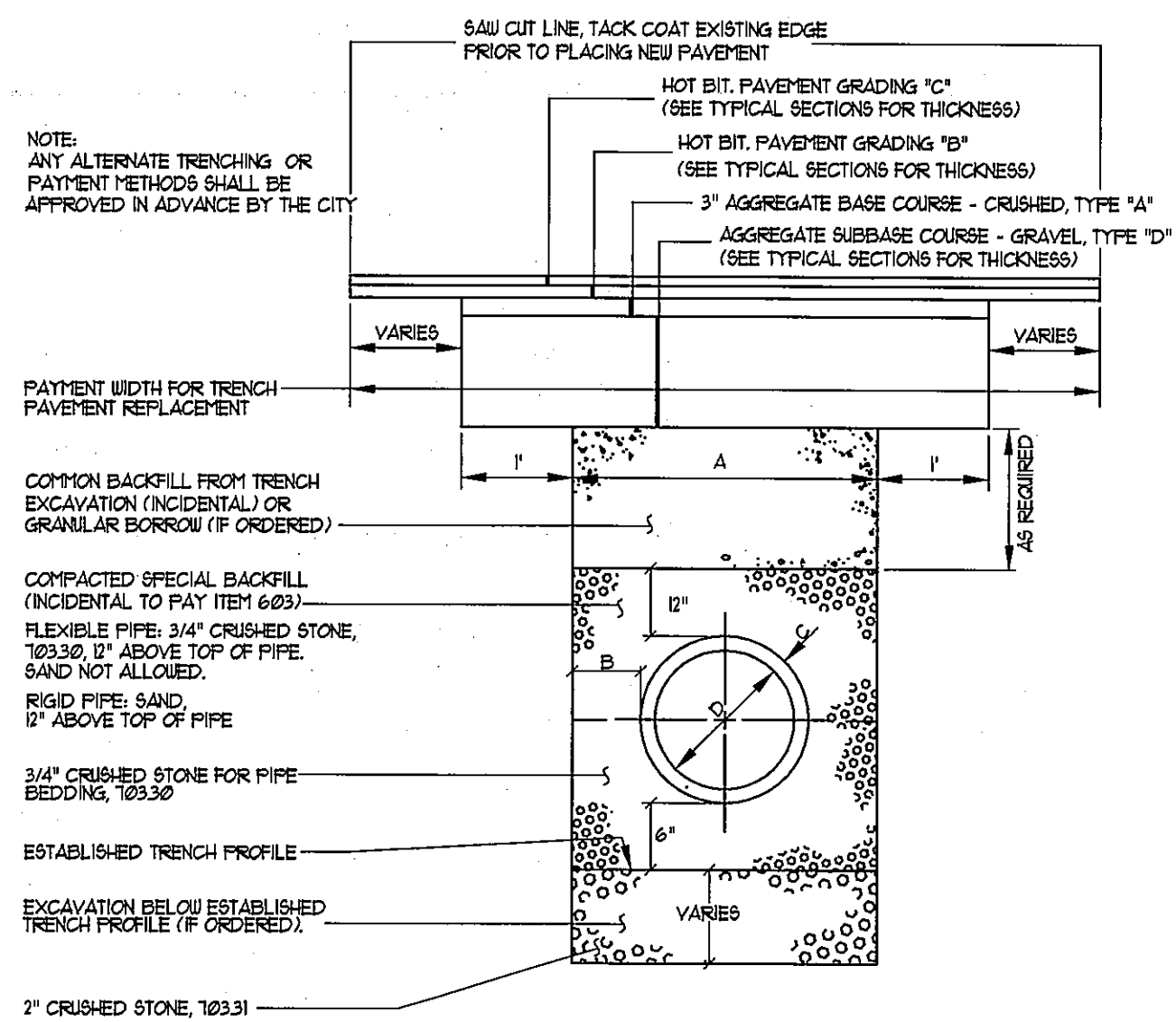
2 SEWER / FOUNDATION DRAIN SERVICE CONNECTION  
NOT TO SCALE



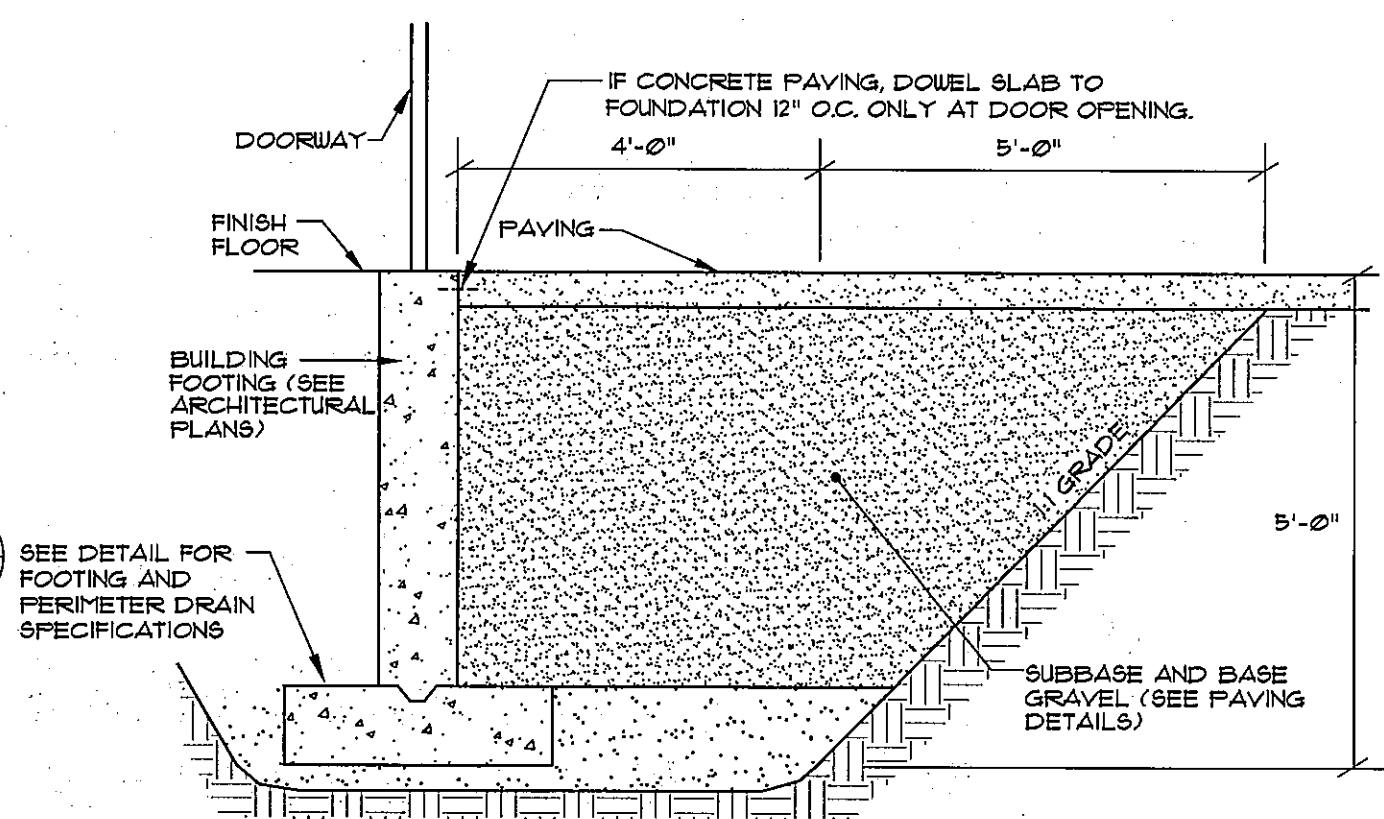
CONCRETE THRUST BLOCK SIZE REQUIREMENTS			
FITTINGS	SQ. FT. OF BEARING ON UNDISTURBED SOIL		
	90° BENDS	45° BENDS	TEES AND FLUGS
PIPE SIZE	6"	8"	12"
	4.0	4.0	10
	2.0	6.0	10



3 TEE AND BEND DETAIL  
NOT TO SCALE

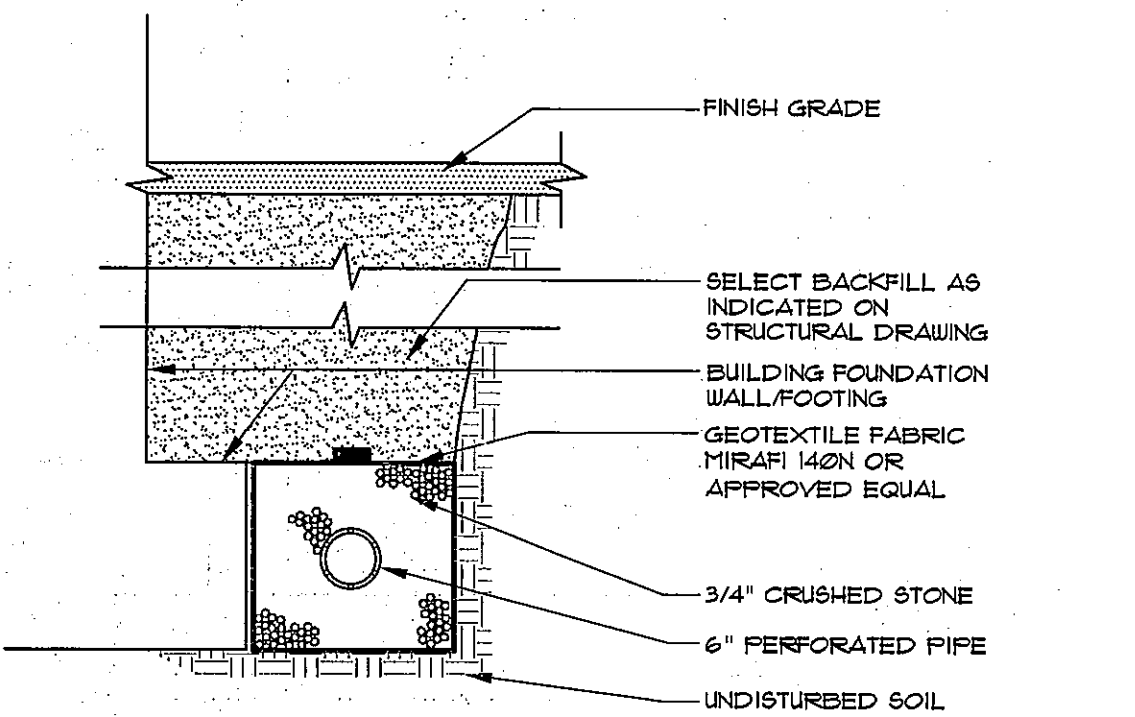


4 TYPICAL PIPE INSTALLATION DETAIL  
NOT TO SCALE



5 5' GRANULAR BASE @ DOOR THRESHOLD  
NOT TO SCALE

6 NO DETAIL



7 TYP. PERFORATED FOUNDATION DRAIN TRENCH SECTION  
NOT TO SCALE

TABLE OF DIMENSIONS  
PVC, TRUSS, CMP, & POLYETHYLENE PIPE

D	A	B	C	VOL. BASE /100'	UNSHEETED O. D. SOCKET
8"	3'-0"	1'-1 1/2"	0'-1 1/2"	7.358	10 3/8"
10"	3'-0"	0'-3 3/8"	0'-0 5/8"	7.858	12 1/2"
12"	3'-0"	0'-11 3/8"	0'-0 5/8"	7.932	14 1/2"
14"	3'-0"	0'-10 3/8"	0'-0 5/8"	8.178	16 3/4"
16"	3'-0"	0'-9 1/4"	0'-0 3/4"	8.447	19"
18"	3'-0"	0'-8 1/4"	0'-0 3/4"	8.563	21 1/8"
20"	3'-0"	0'-7 3/8"	0'-0 3/4"	8.815	23 3/8"
24"	3'-0"	0'-6"	0'-0 7/8"	9.633	27 3/4"
27"	3'-0"	0'-6"	0'-1 1/8"	10.959	31 1/8"
30"	3'-0"	0'-6"	0'-1 1/8"	12.156	34 1/2"
33"	3'-0"	0'-6"	0'-1 3/8"	13.513	38 1/8"
36"	4'-2 3/4"	0'-6"	0'-1 3/8"	14.910	

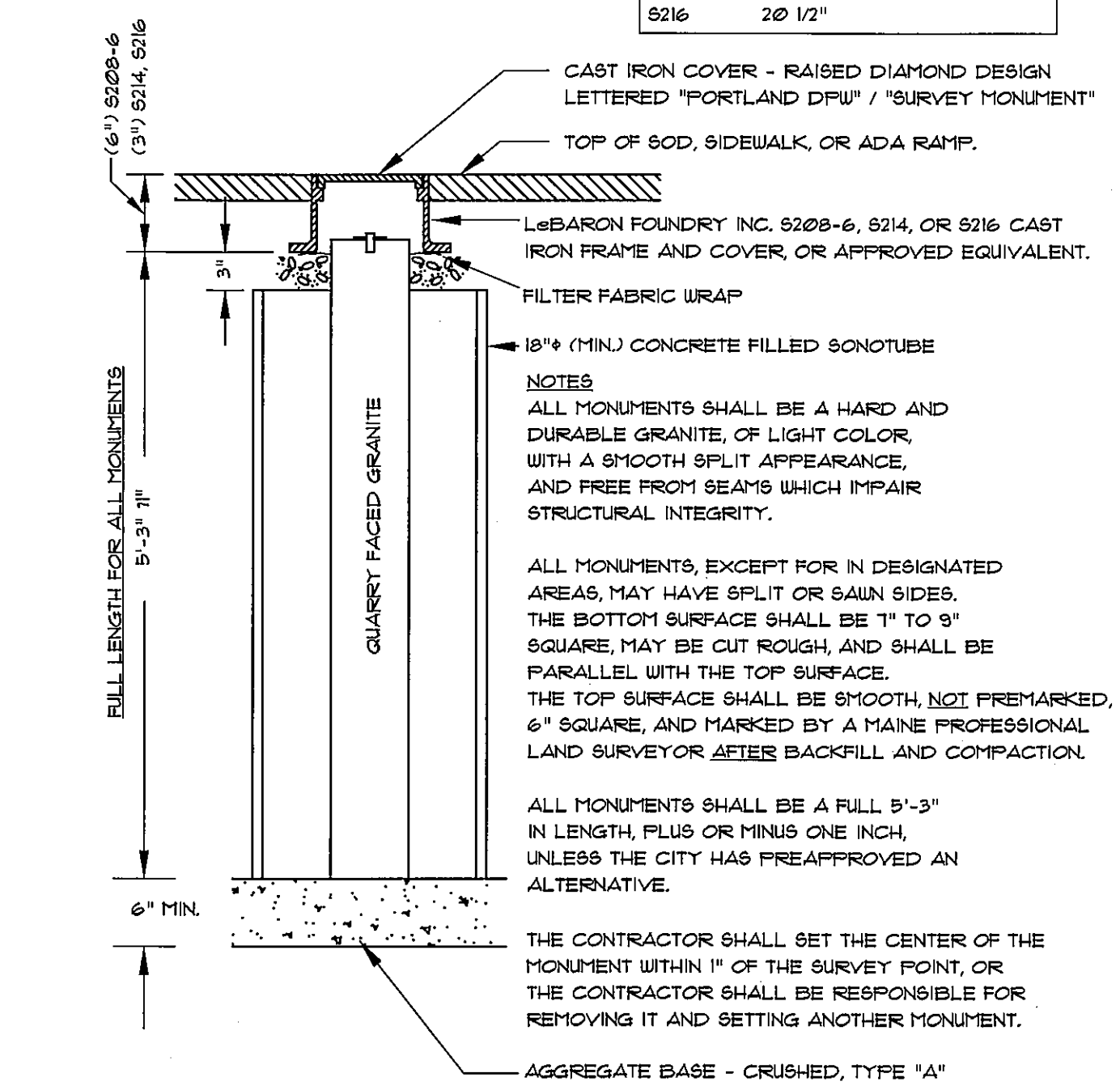
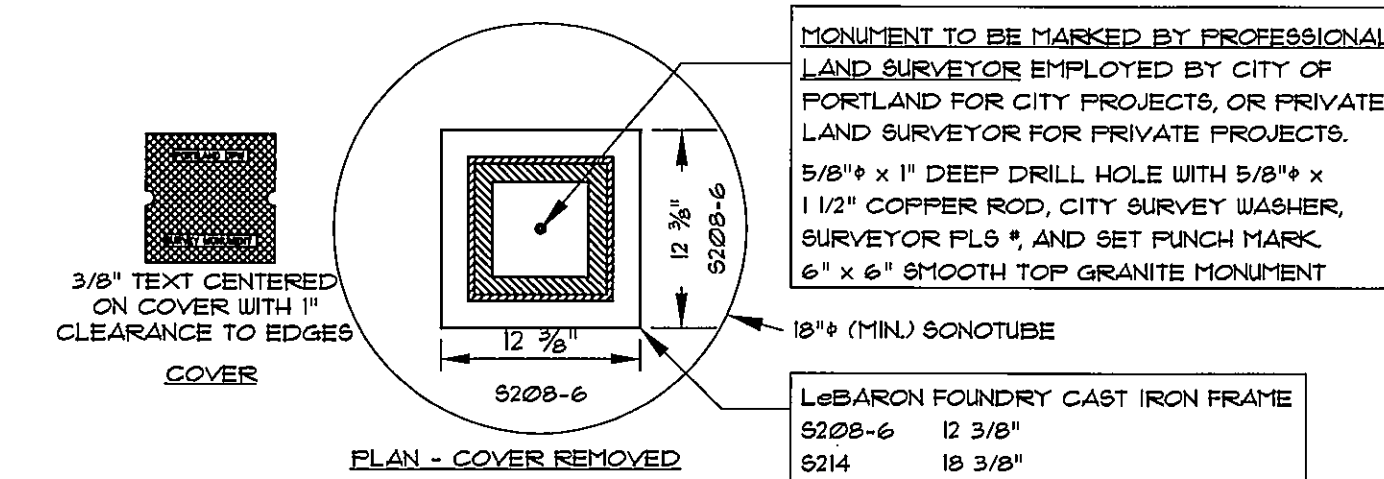
A = WIDTH OF UNSHEETED TRENCH

TABLE OF DIMENSIONS  
REINFORCED CONCRETE PIPE

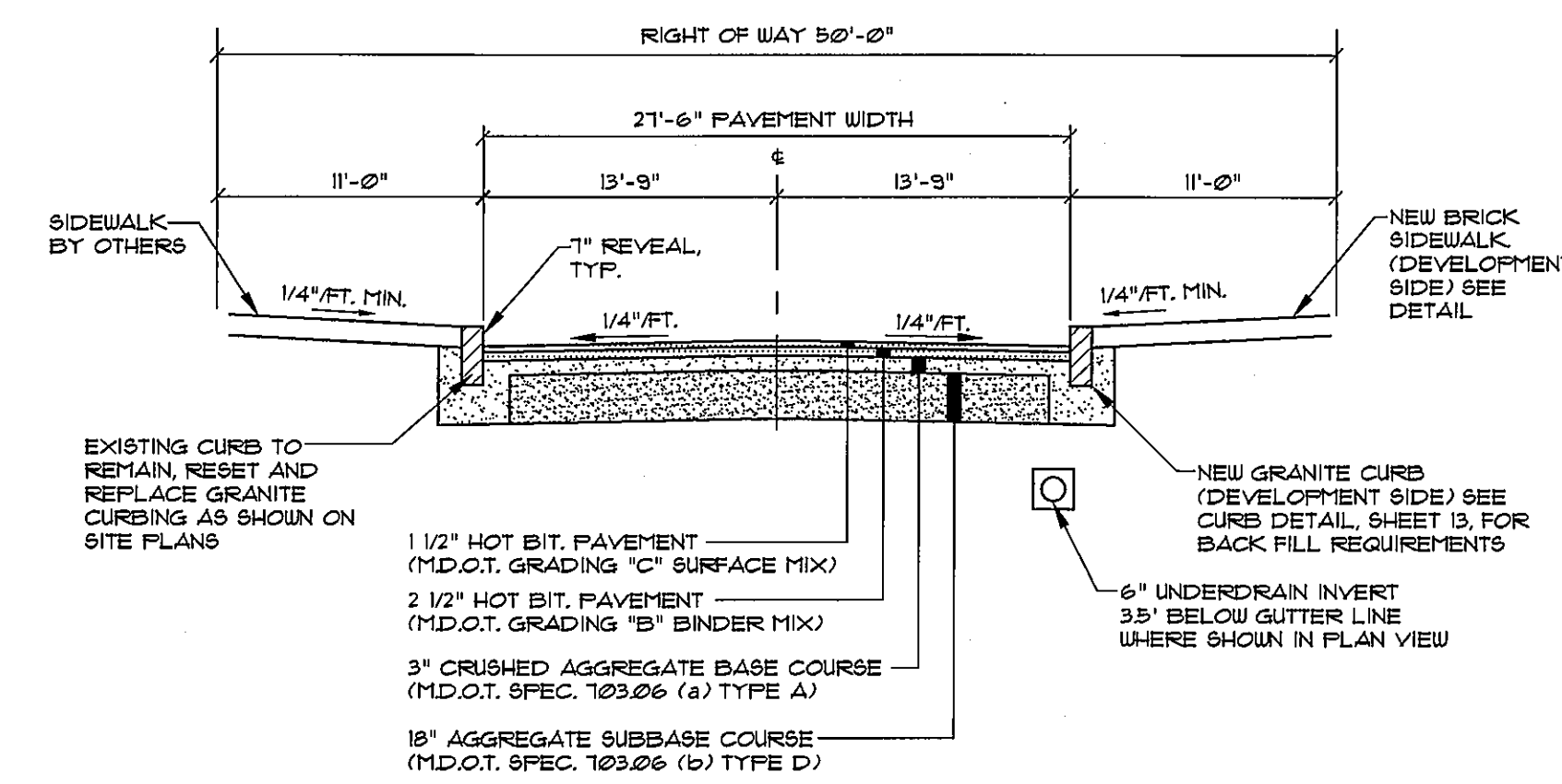
D	A	B	C	VOL. BASE /100'	UNSHEETED O. D. BELL
12"	3'-0"	0'-10"	0'-2"	8.319	20 1/4"
15"	3'-0"	0'-8 1/4"	0'-2 1/4"	8.626	24 1/8"
18"	3'-0"	0'-6 1/2"	0'-2 1/2"	8.925	28"
21"	3'-0 1/2"	0'-6"	0'-2 3/4"	9.268	31 7/8"
24"	3'-6"	0'-6"	0'-3"	11.233	35 3/4"
27"	3'-9 1/2"	0'-6"	0'-3 1/4"	12.855	
30"	4'-1"	0'-6"	0'-3 1/2"	14.120	
33"	4'-4 1/2"	0'-6"	0'-3 3/4"	15.722	
36"	4'-8"	0'-6"	0'-4"	17.358	
42"	5'-3"	0'-6"	0'-4 1/2"	20.726	
48"	5'-10"	0'-6"	0'-5"	24.463	
54"	6'-5"	0'-6"	0'-5 1/2"	28.404	
60"	7'-0"	0'-6"	0'-6"	32.607	
66"	7'-6"	0'-6"	0'-6 1/2"	37.074	
72"	8'-2"	0'-6"	0'-7"	41.886	
78"	8'-9"	0'-6"	0'-7 1/2"	46.881	
84"	9'-4"	0'-6"	0'-8"	52.149	
90"	9'-11"	0'-6"	0'-8 1/2"	57.769	
96"	10'-6"	0'-6"	0'-9"	63.552	

27 in. THROUGH 96 in. INCLUSIVE - TONGUE & GROOVE JOINTS

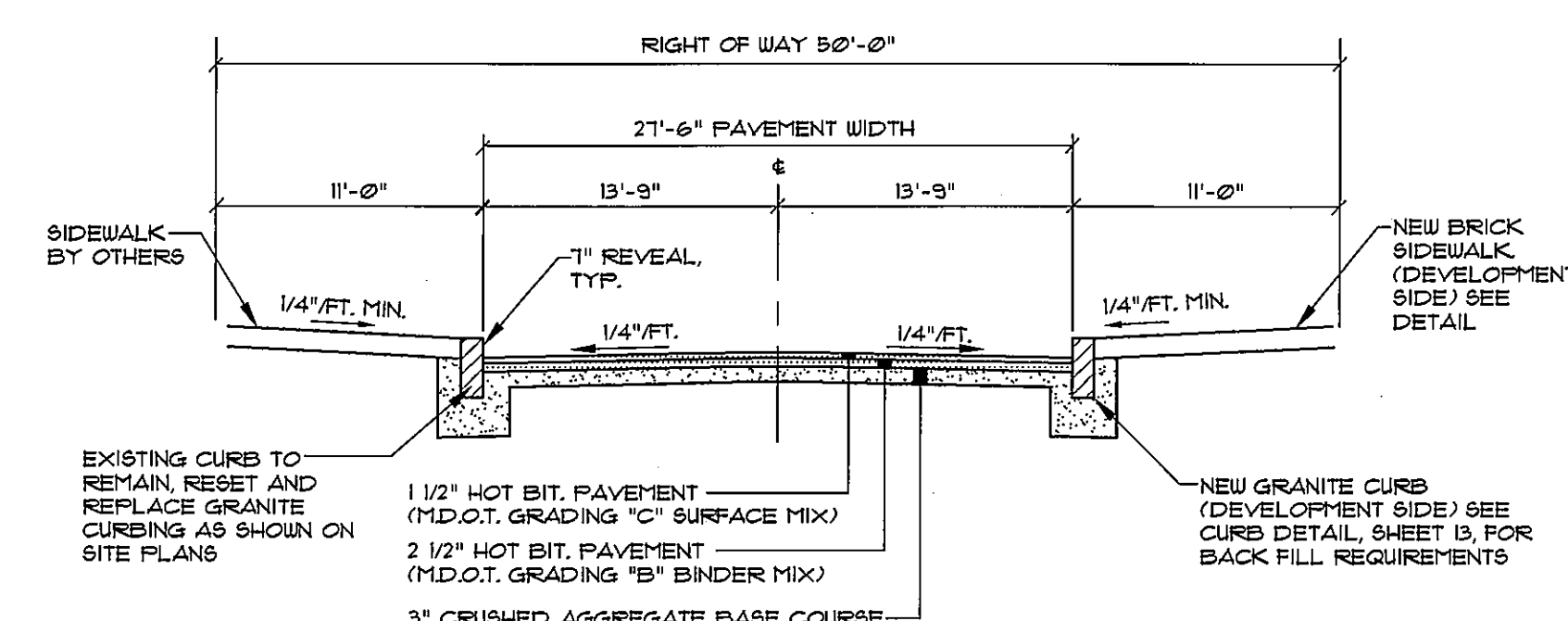
10 TYP. PAVED DRIVEWAY SECTION  
NOT TO SCALE



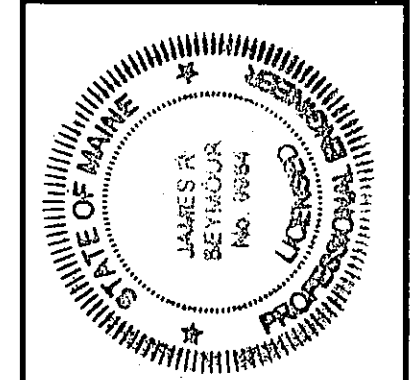
8 GRANITE STREET MONUMENT  
NOT TO SCALE



9 NEWBURY STREET SECTION  
NOT TO SCALE



9 MIDDLE STREET SECTION  
NOT TO SCALE



REV.	DATE	BY	STATUS
B	09-05-12	JRS	REVISED PER CONDITIONS OF APPROVAL
A	05-11-12	JRS	ISSUED TO CITY FOR REVIEW

**SEBAGO TECHNICALS**  
 WWW.SEBAGOTECHNICALS.COM  
 78 John Bush Street, Suite B  
 South Portland, ME 04106  
 Tel: 207-789-8656  
 Fax: 207-200-2100

DESIGN: WTC  
 CHECKED: JRS  
 DRAWN: JRH  
 PROJECT NO.: 05109

DETAILS OF:  
**THE BAY HOUSE**  
 112-113 NEWBURY STREET / 40 HANCOCK STREET  
 PORTLAND, MAINE  
 FOR:  
**THE VILLAGE AT OCEAN GATE, LLC**  
 36 FAY STREET, SUITE 107B  
 BOSTON, MA 02118-4320