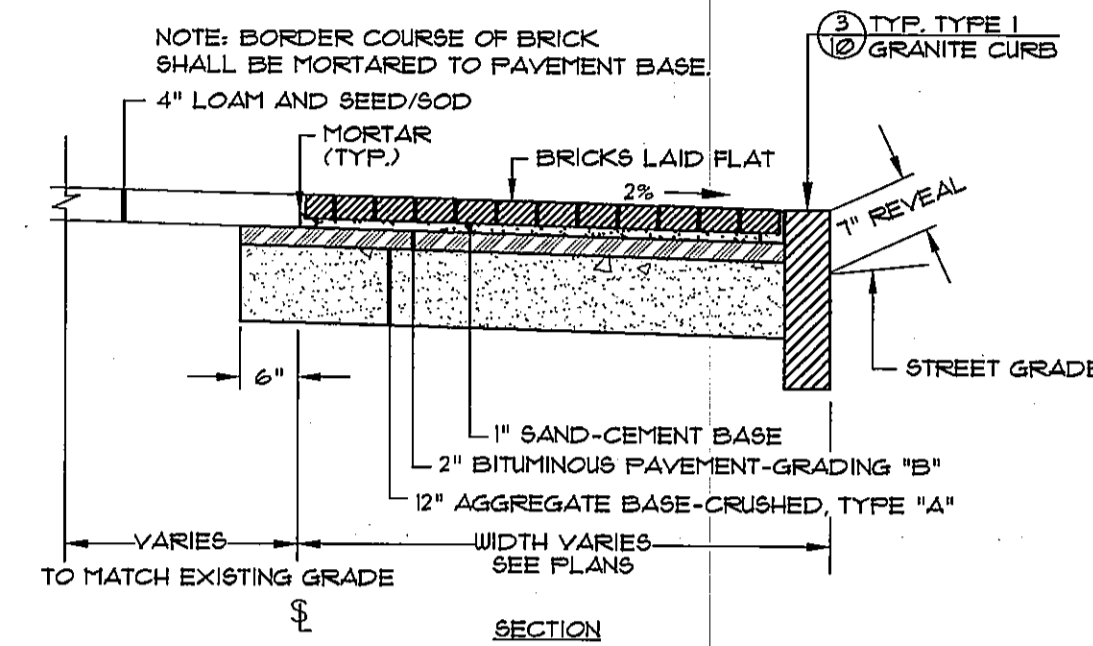
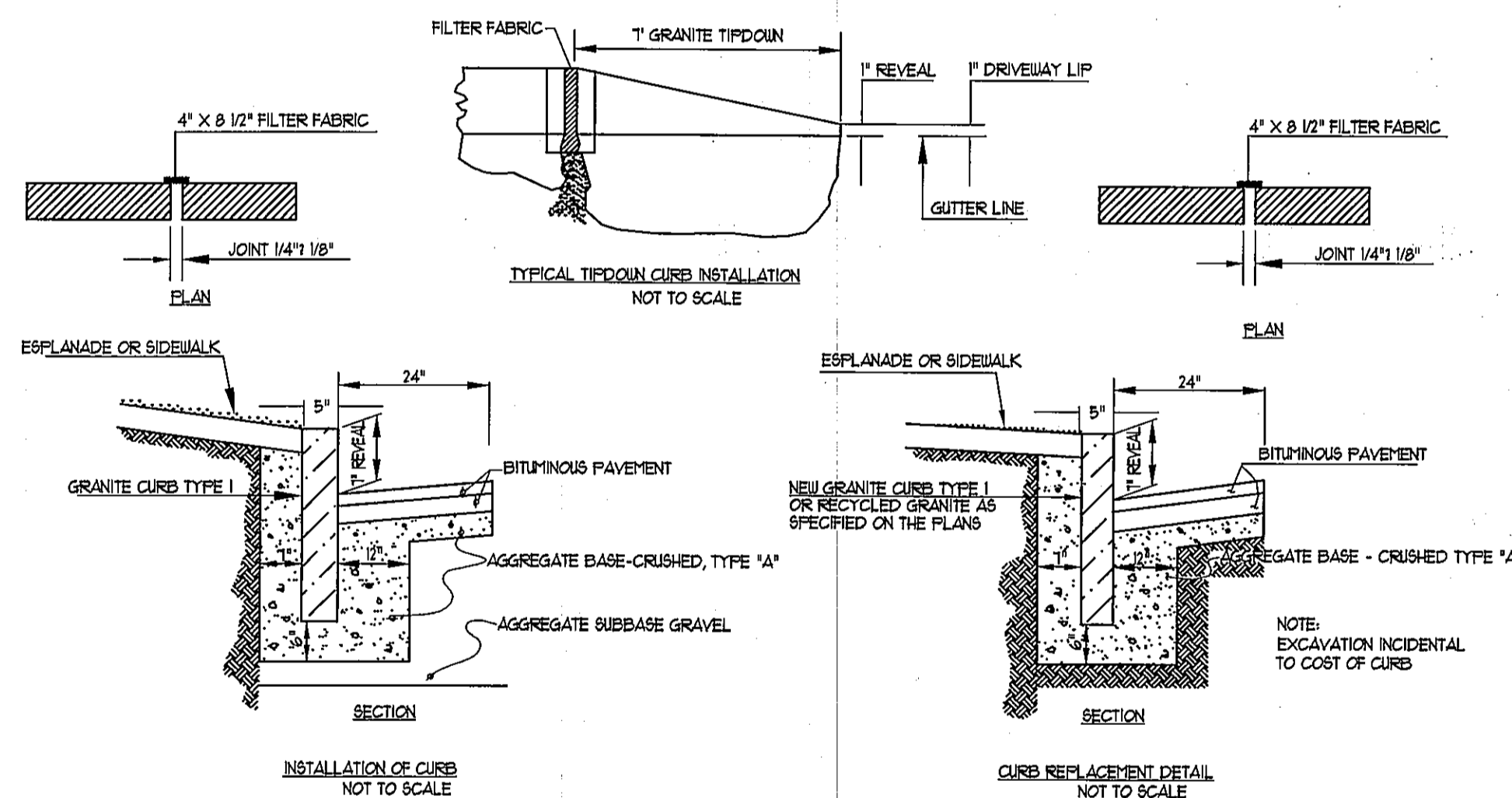


**1 SIDEWALK & DRIVEWAY CONSTRUCTION**  
NOT TO SCALE



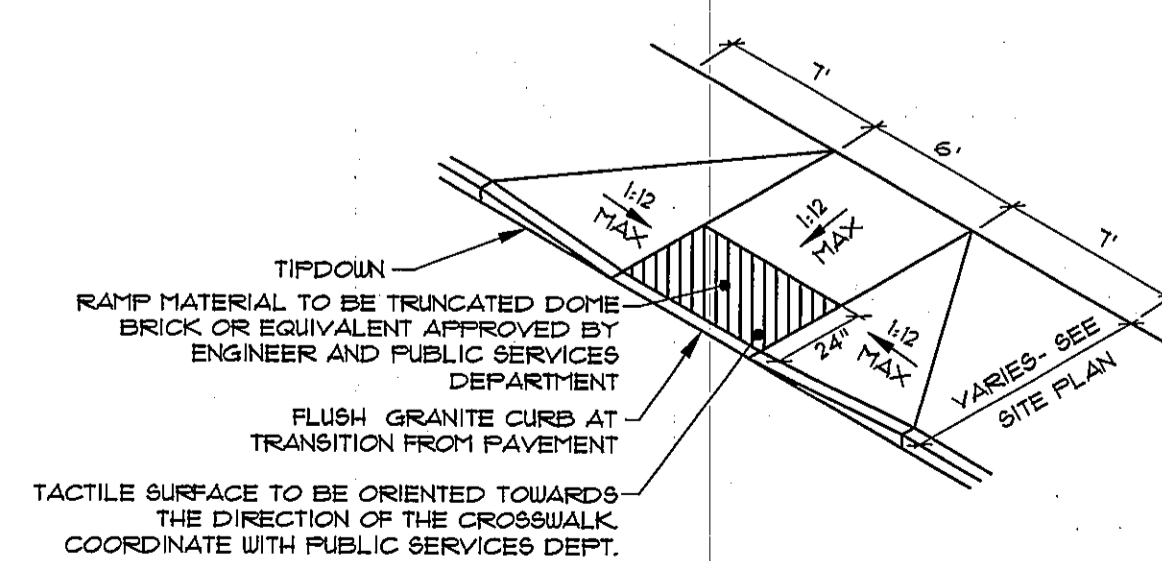
**2 BRICK SIDEWALK DETAIL-NO ESPLANADE**  
NOT TO SCALE



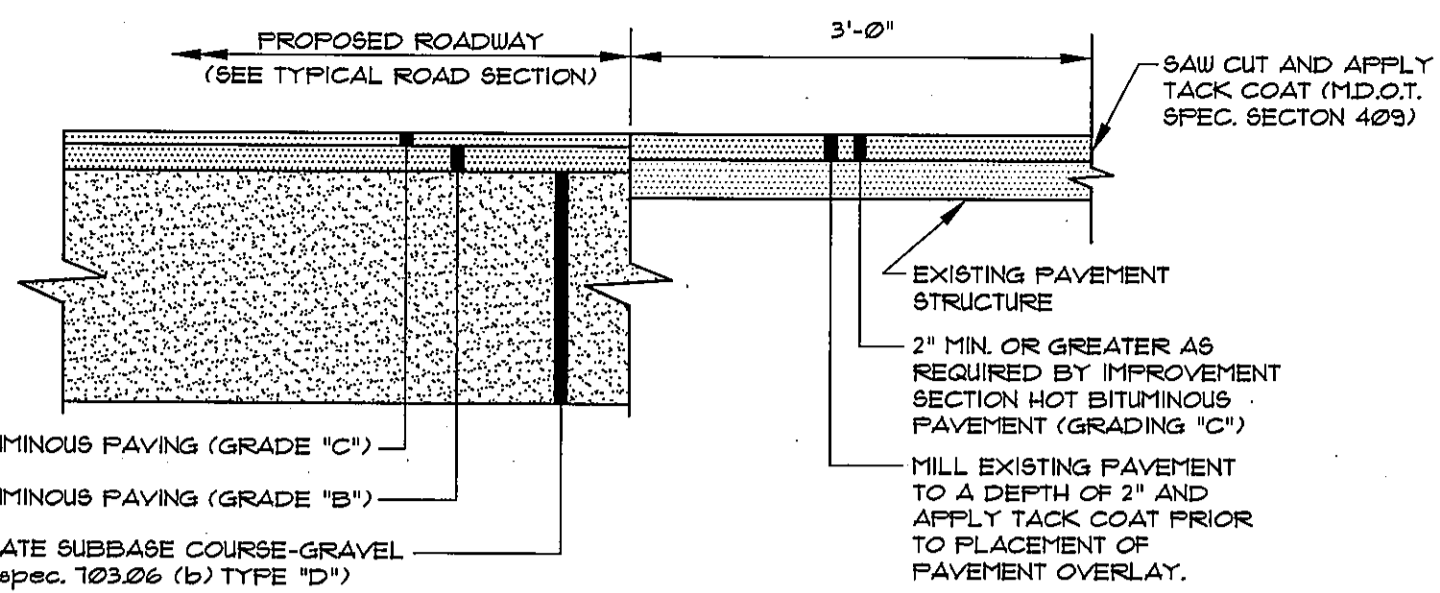
**3 TYP. INSTALLATION OF CURB TYPE 1**  
NOT TO SCALE

**NOTES:**  
1. NO GRANITE CURB SECTIONS SHALL BE INSTALLED LESS THAN 4' IN LENGTH.

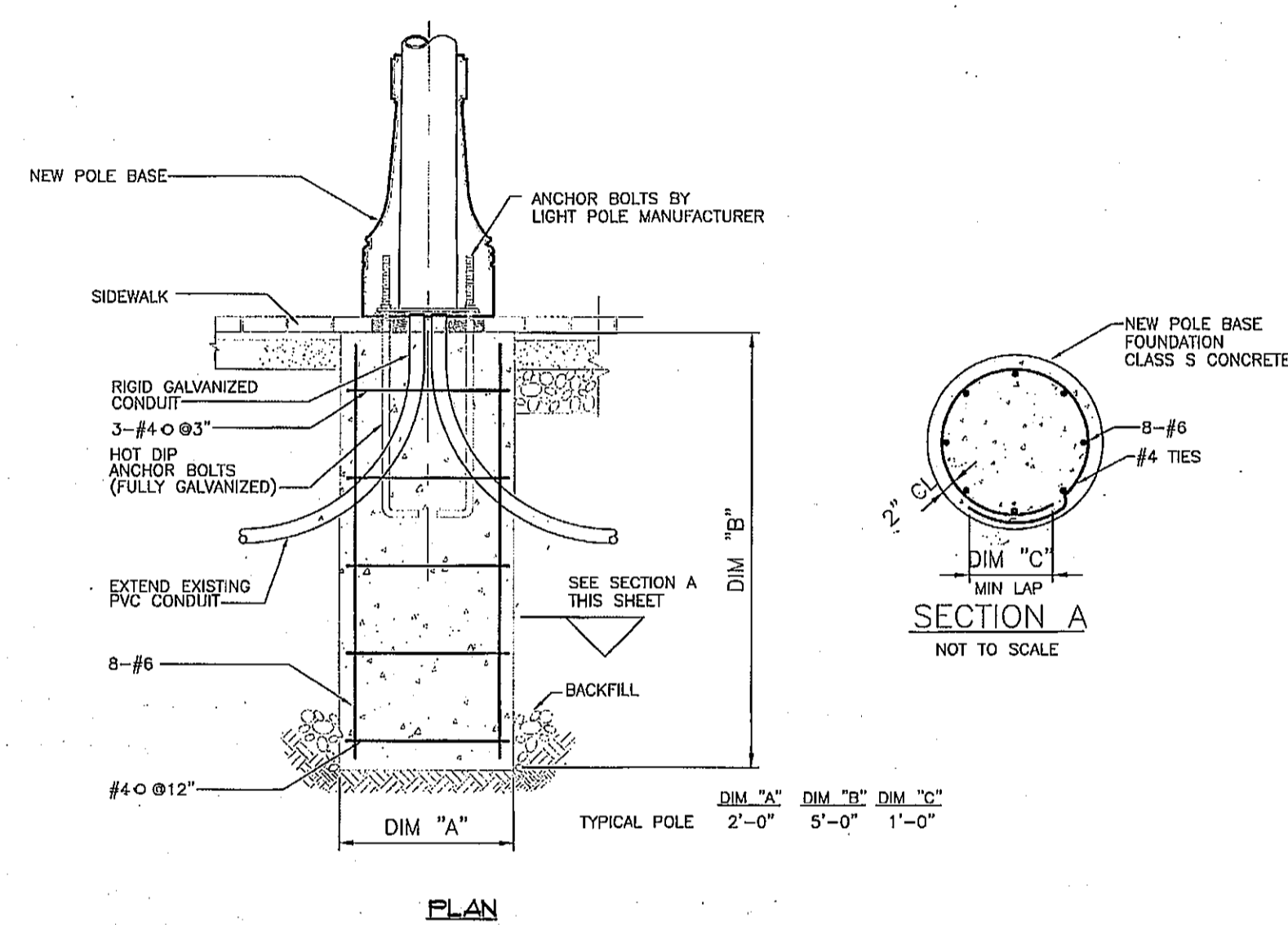
VARIES - SEE



**4 HANDICAP RAMP**  
NOT TO SCALE

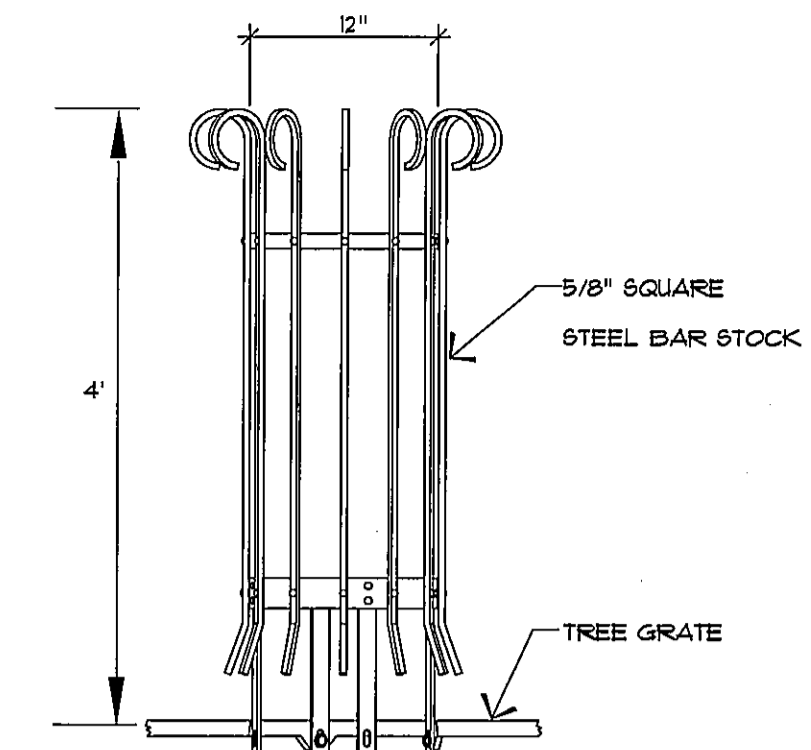


**5 PAVEMENT SAW CUT DETAIL**  
NOT TO SCALE



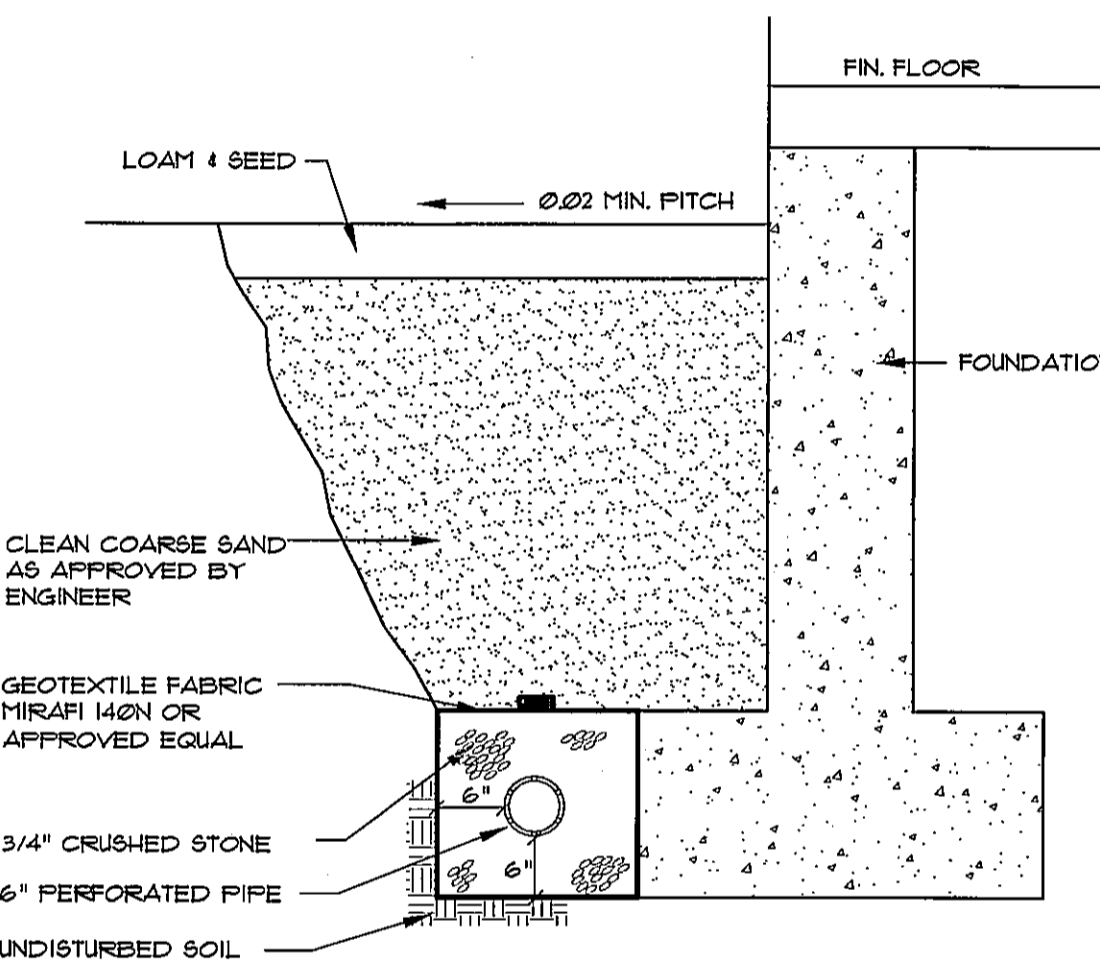
**NOTES:**  
1. CONCRETE  $f_c=4000$  psi.  
2. REIN. STEEL GRADE 60 NEW BARS.  
3. CONCRETE 3/4\"/>

**6 TYPICAL LIGHT POLE BASE**  
NOT TO SCALE

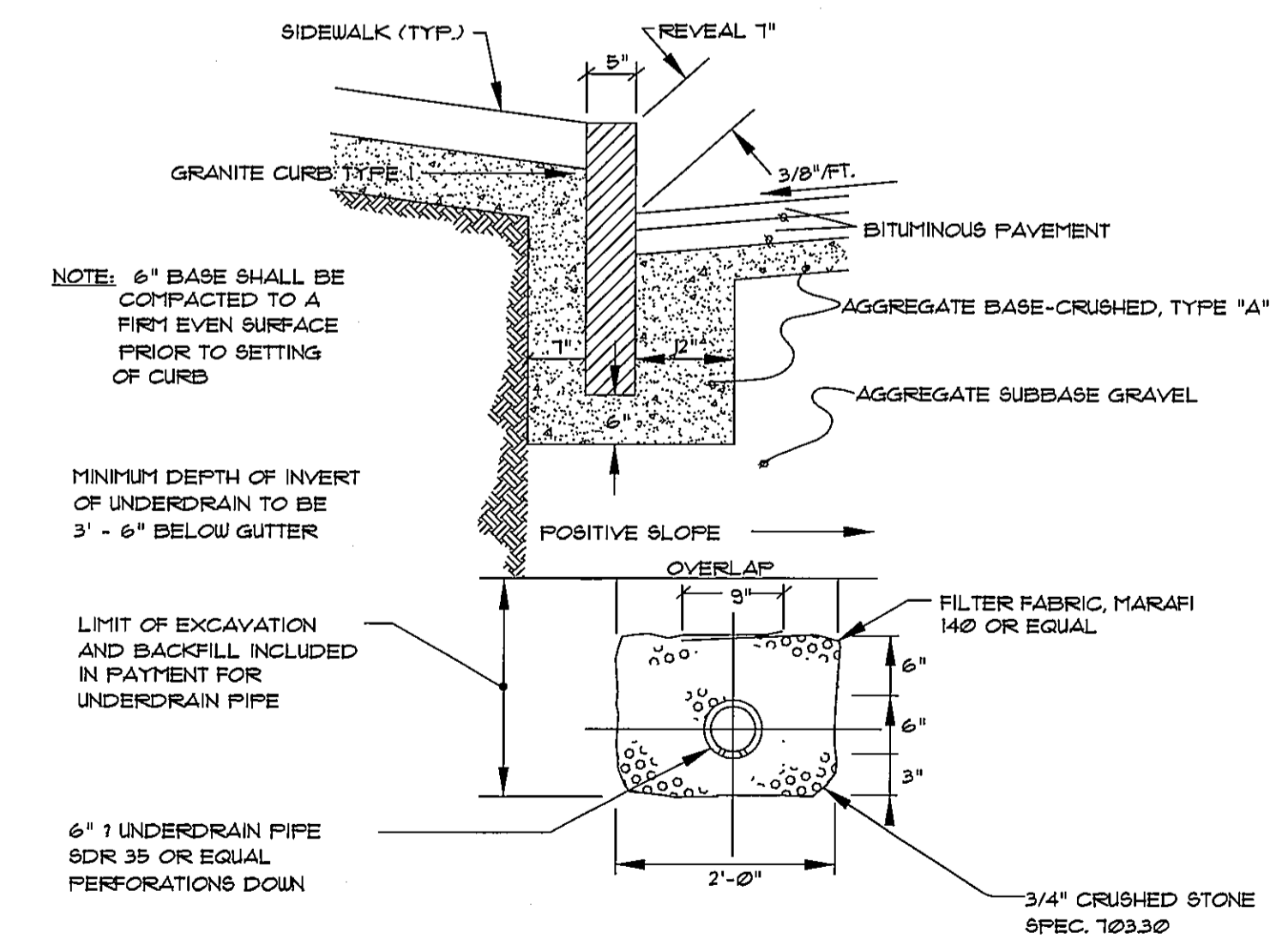


**MATERIAL:** ALL HOT ROLLED MILD STEEL  
**FINISH:** PAINTED WITH ONE COAT LO-LUSTRE BLACK ENAMEL  
Neesah Foundry Co. (nfo.com) Item: Type A, L4, 12\"/>

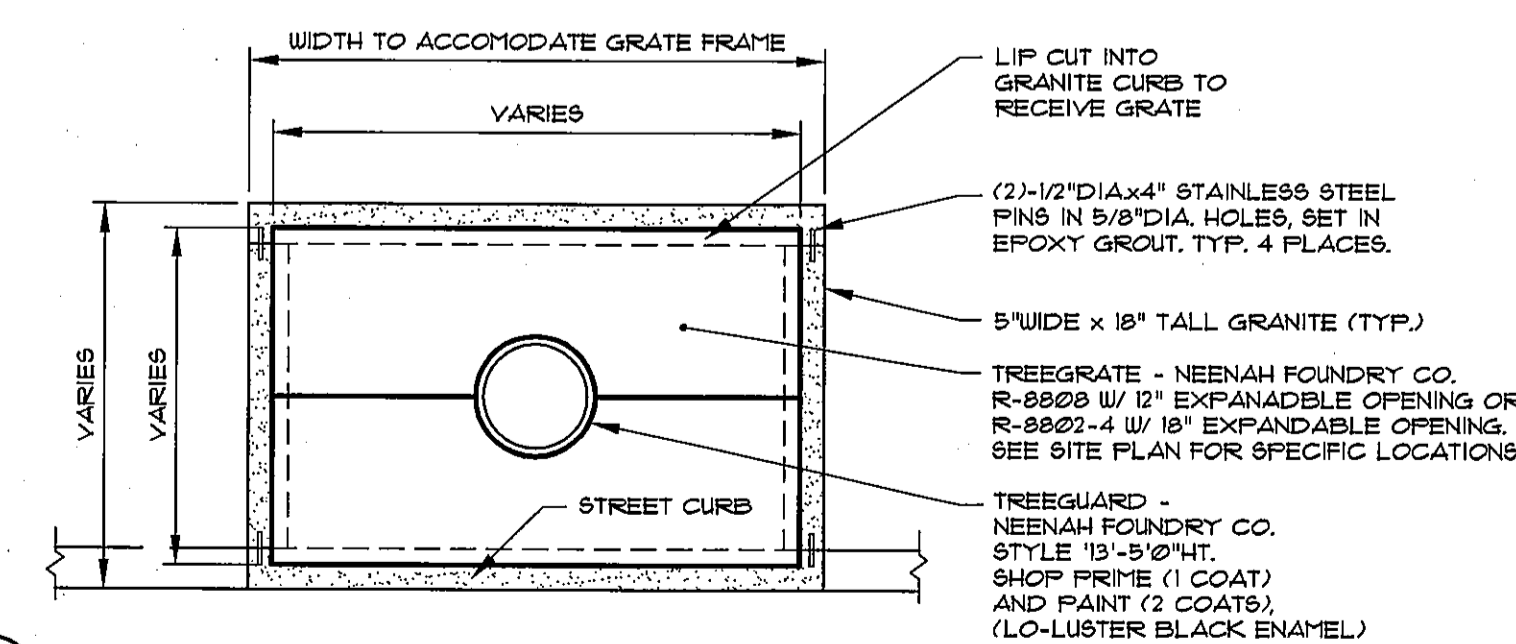
**8 TYPICAL TREE GUARD**  
NOT TO SCALE



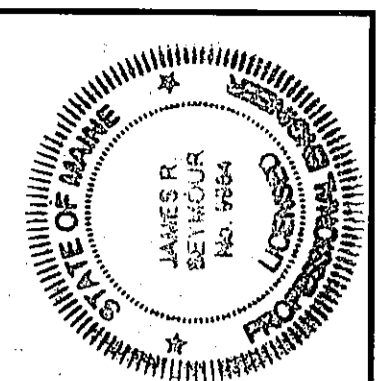
**9 FOUNDATION DRAIN SECTION**  
NOT TO SCALE



**10 TYPE \"B\" UNDERDRAIN WITH CURB INSTALLATION**  
NOT TO SCALE



**7 TREE GRATE DETAIL**  
NOT TO SCALE



REV.	DATE	STATUS
B	08-05-12	REVISED PER CONDITIONS OF APPROVAL
A	05-11-12	ISSUED TO CITY FOR REVIEW

**SEBAGO TECHNICAL SERVICES**  
114 W. BEACON STREET, SUITE 201  
PORTLAND, ME 04108  
Tel: 207-260-2100

PROJECT NO. FIELD BOOK DESIGN CHECK DRAWN  
05109 - - - WTC JRS JRS

**DETAILS OF:**  
**THE BAY HOUSE**  
112-113 NEWBURY STREET / 40 HANCOCK STREET  
PORTLAND, MAINE  
FOR:  
**THE VILLAGE AT OCEAN GATE, LLC**  
35 FAY STREET, SUITE 107B  
BOSTON, MA 02118-4320

DATE	SCALE
05-10-12	AS NOTED