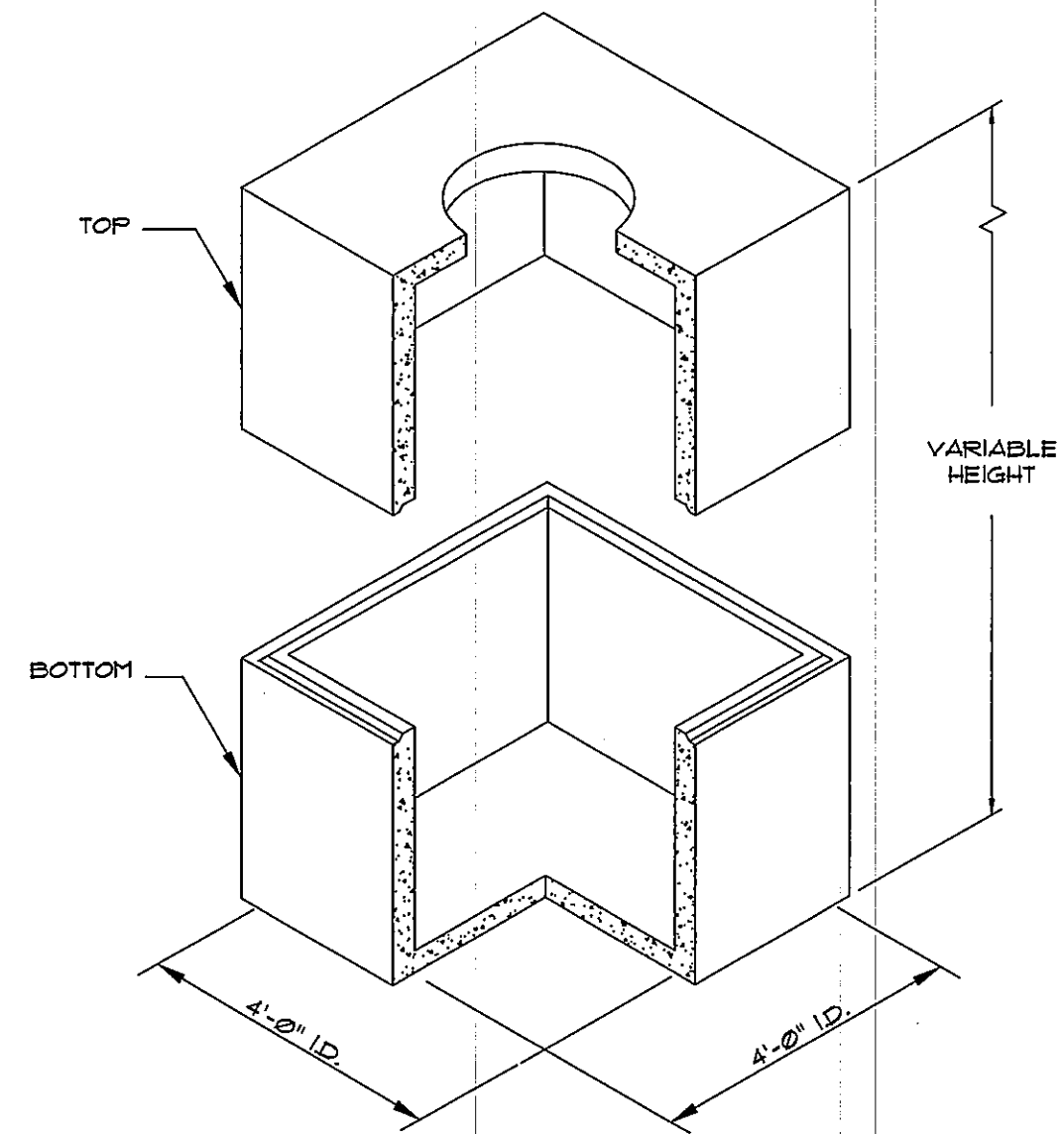
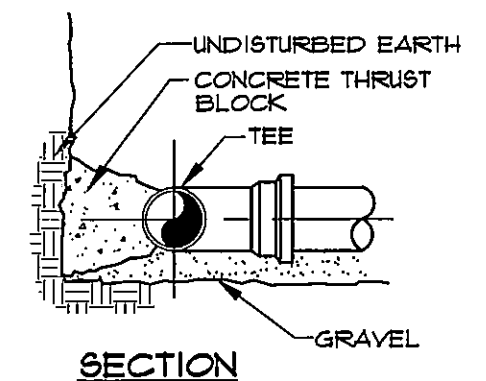


- NOTES:**
1. CONCRETE $f'_c=4000$ psi.
 2. REIN. STEEL GRADE 60 NEW BARS.
 3. CONCRETE 3/4" AGG. & ± 1% ENTRAINED AIR.
 4. PROVIDE 2 COATS BITUMINOUS DAMPROOFING FOR ALL CONCRETE BELOW GRADE.
 5. POLE BASE FOR THE BAYSIDE DISTRICT MEDIUM SCALED LIGHTING POLE AND CITY SPECIFICATIONS. COORDINATE WITH PORTLAND PUBLIC SERVICES.
 6. BID ALT. CONTRACTOR MAY SUBSTITUTE PRECAST CONCRETE TILT POLE BASE EQUAL TO ABOVE SPEC. AND APPROVED BY CITY.

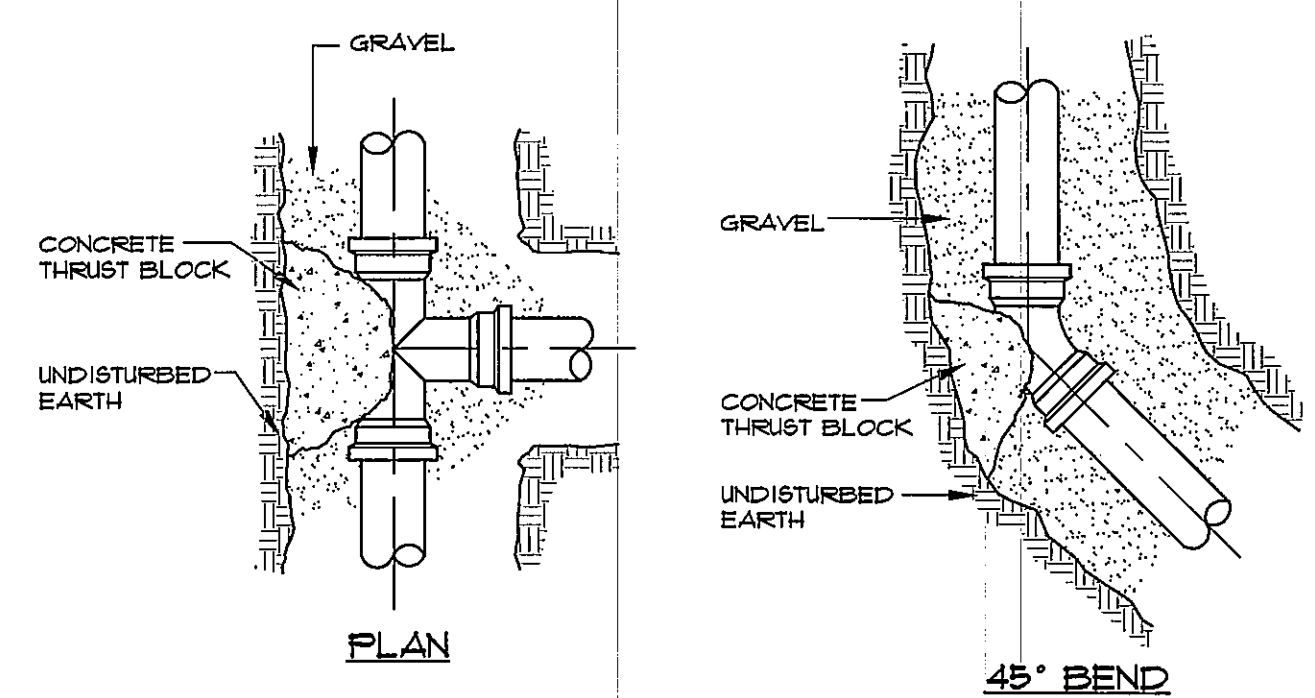
TYPICAL LIGHT POLE BASE
NOT TO SCALE



UTILITY MANHOLE
NOT TO SCALE



SECTION



PLAN

TEE AND BEND DETAIL
NOT TO SCALE

CONCRETE THRUST BLOCK SIZE REQUIREMENTS				
FITTINGS	SQ. FT. OF BEARING ON UNDISTURBED SOIL			
	90° BENDS	45° BENDS	TREES AND FLUGS	
PIPE SIZE	4.0	2.0	3.0	
6"	8.0	4.0	6.0	
8"	15	10	10	

PAVED AREAS → UNPAVED AREAS

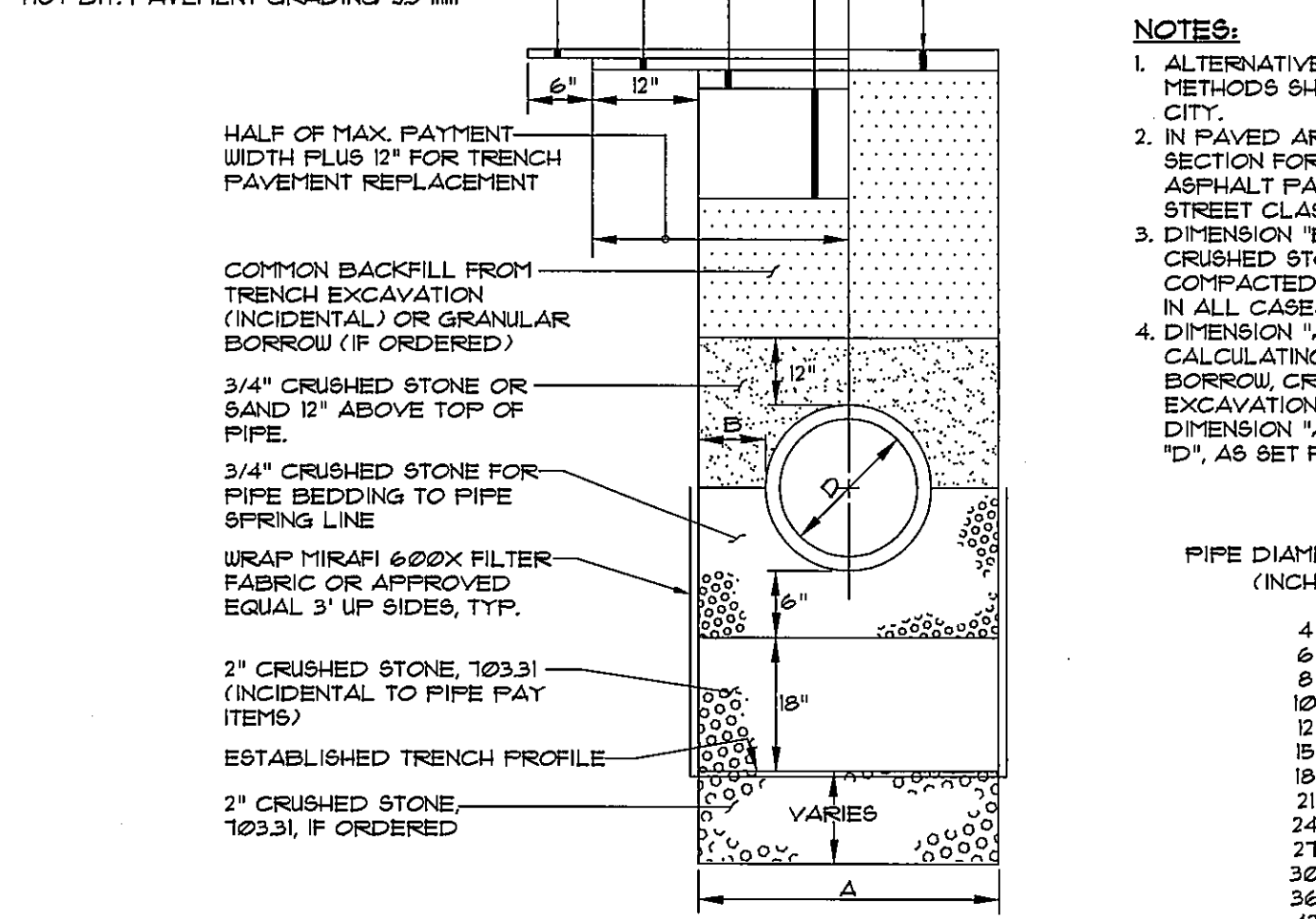
AGGREGATE SUBBASE COURSE - GRAVEL, TYPE "D"

AGGREGATE BASE COURSE - CRUSHED, TYPE "A"

HOT BIT. PAVEMENT GRADING 125 mm

HOT BIT. PAVEMENT GRADING 95 mm

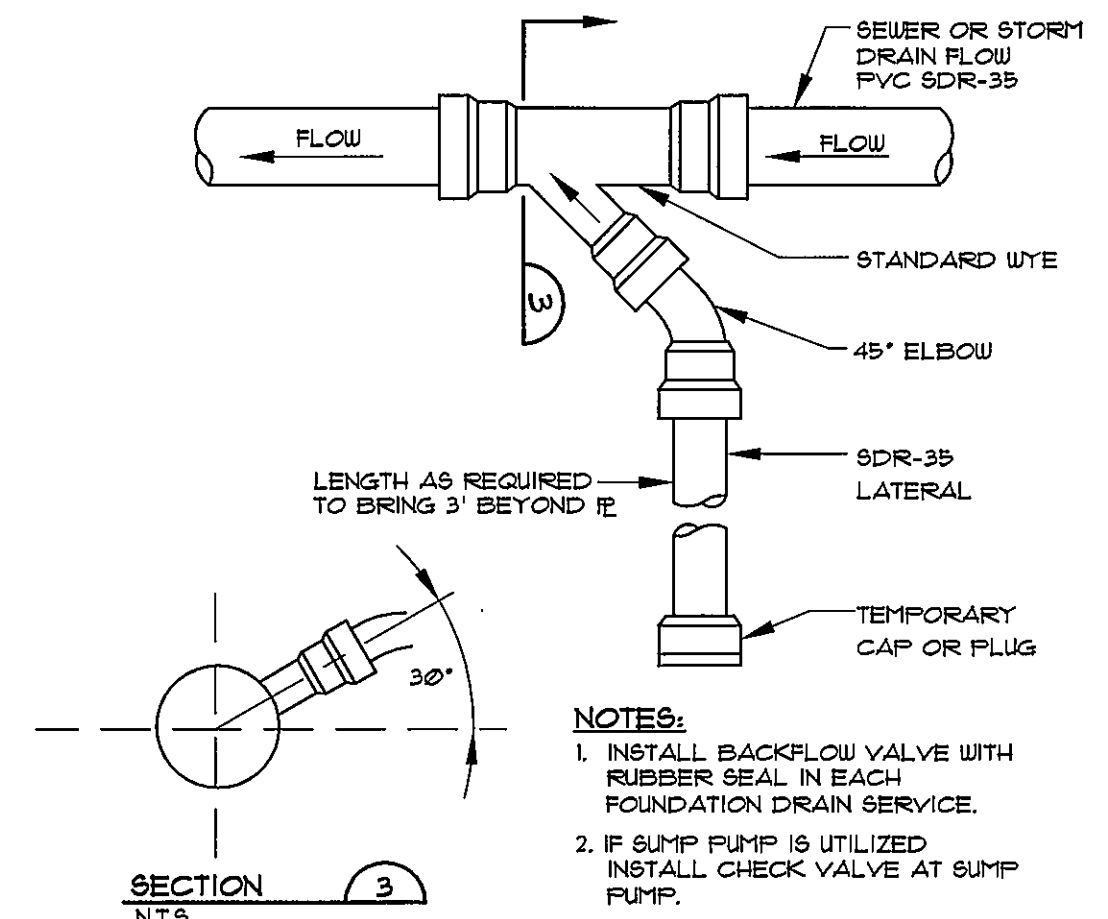
4" LOAM 4 SEED OR AS SPECIFIED IN THE CONTRACT DRAWINGS



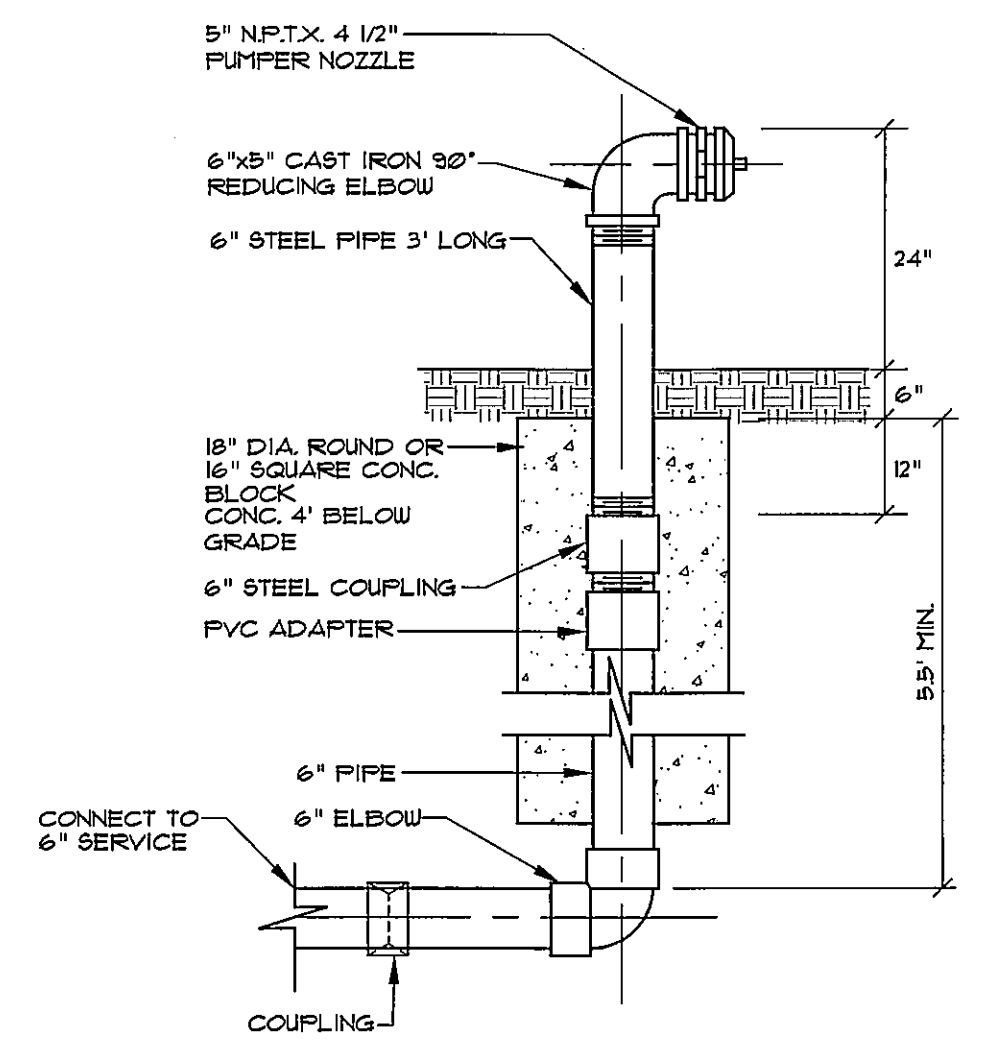
- NOTES:**
1. ALTERNATIVE CONSTRUCTION METHODS OR PAYMENT METHODS SHALL BE APPROVED IN ADVANCE BY THE CITY.
 2. IN PAVED AREAS REFER TO BITUMINOUS PAVEMENT SECTION FOR DEPTHS OF GRAVEL AND HOT MIX ASPHALT PAVEMENT BASED ON THE CORRESPONDING STREET CLASSIFICATION.
 3. DIMENSION "B" SHALL BE SUFFICIENT TO ALLOW CRUSHED STONE BEDDING TO BE PLACED AND COMPACTED UNDER THE HAUNCHES OF THE PIPE; BUT IN ALL CASES 18" SHALL BE AT LEAST 3".
 4. DIMENSION "A" IS THE MAXIMUM WIDTH ALLOWED FOR CALCULATING PAY QUANTITIES UNDER GRANULAR BORROW, CRUSHED STONE, STRUCTURAL EARTH EXCAVATION, AND STRUCTURAL ROCK EXCAVATION. DIMENSION "A" SHALL BE BASED ON PIPE DIAMETER "D", AS SET FORTH IN THE FOLLOWING TABLE.

PIPE DIAMETER, "D" (INCHES)	MAX. TRENCH WIDTH, "A" (FEET)
4	4.0
6	4.0
8	4.0
10	4.0
12	4.0
15	4.0
18	5.0
21	5.5
24	5.5
27	6.0
30	6.0
36	7.0
42	8.0
48	8.0

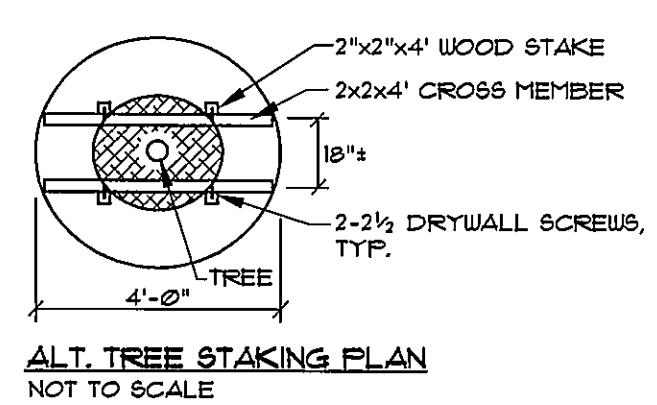
TYPICAL PIPE INSTALLATION DETAIL
NOT TO SCALE



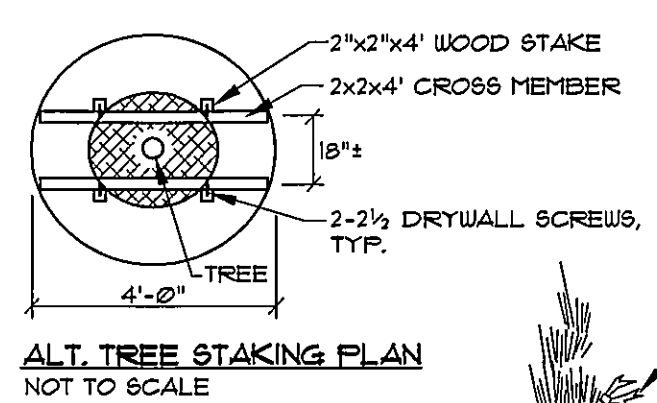
SEWER / FOUNDATION DRAIN SERVICE CONNECTION
NOT TO SCALE



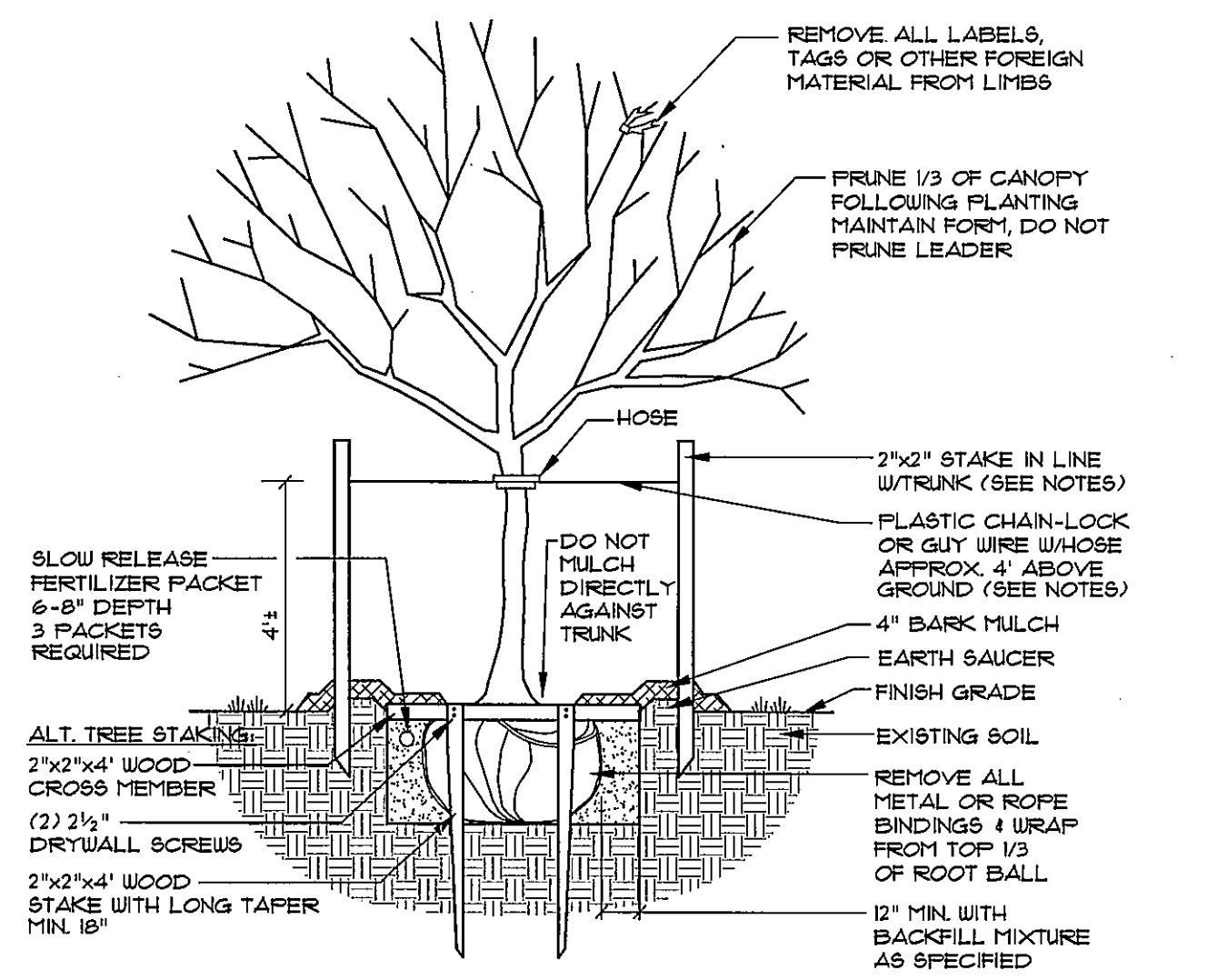
FIRE PROTECTION STAND PIPE
NOT TO SCALE



ALT. TREE STAKING PLAN
NOT TO SCALE

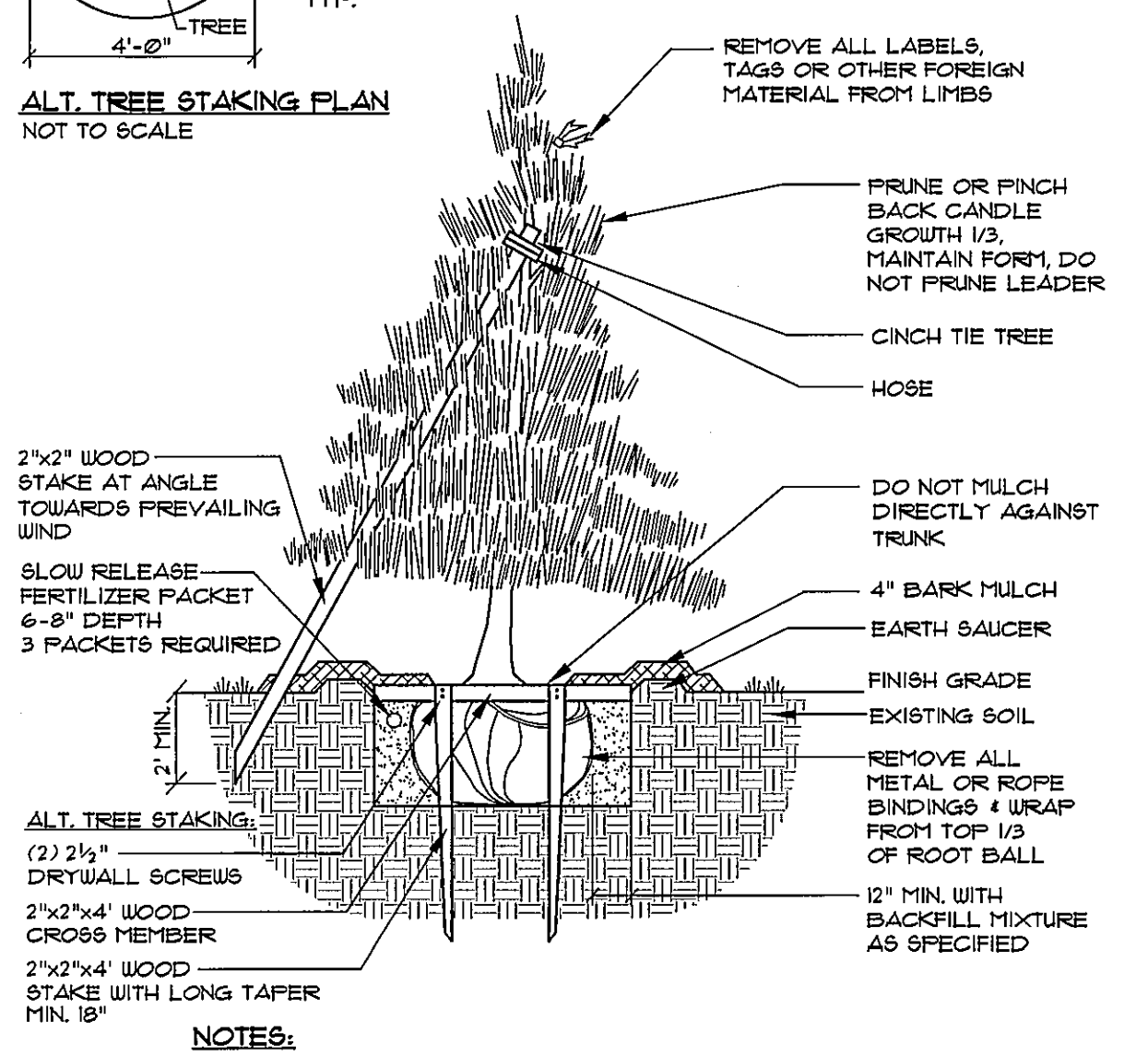


ALT. TREE STAKING PLAN
NOT TO SCALE



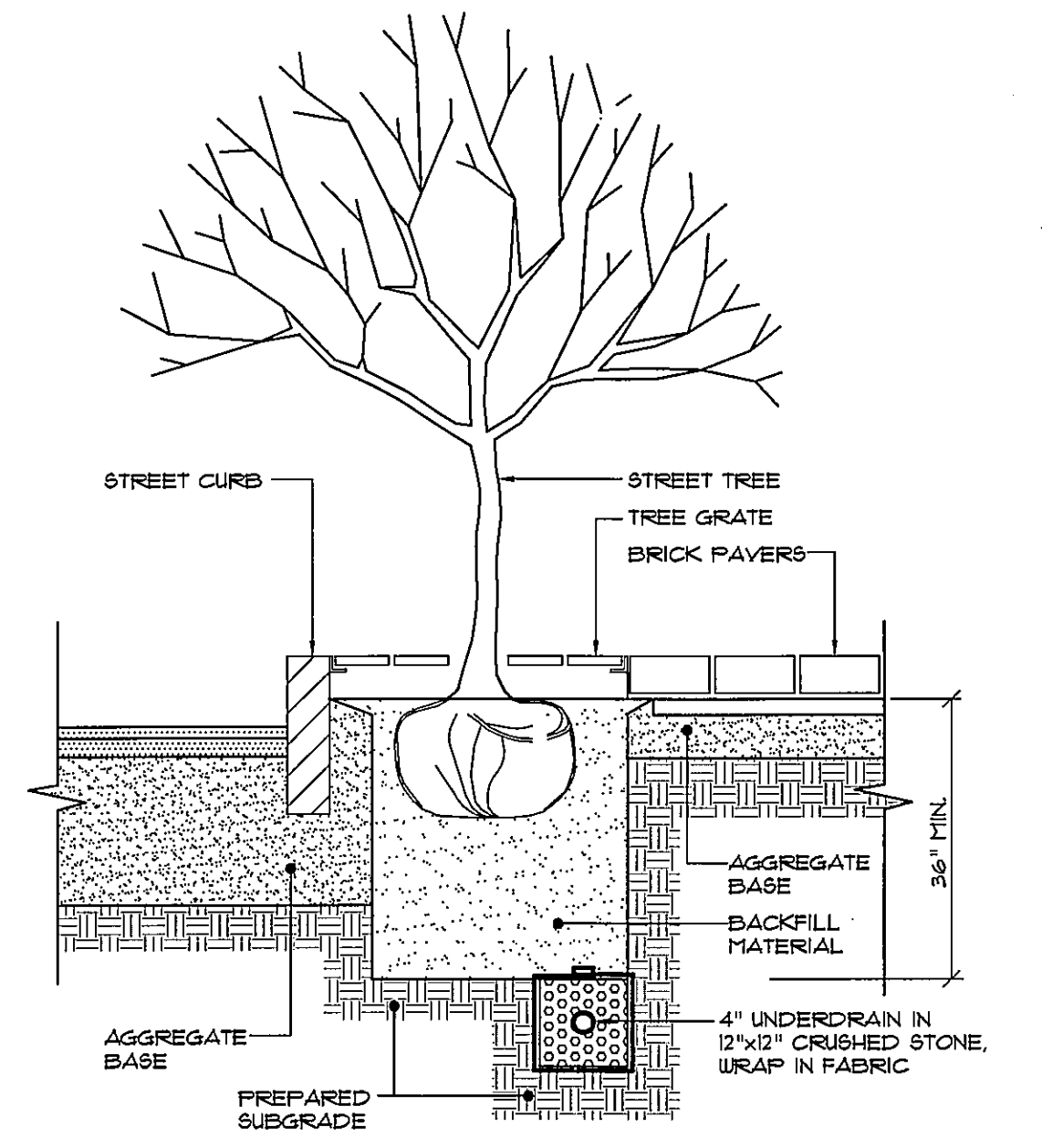
- NOTES:**
1. INSTALL STAKES AND GUYS TO TREES IF THE FOLLOWING APPLY:
 1. THE TREE IS OF SUBSTANTIAL SIZE.
 2. THE PLANTING LOCATION IS EXTREMELY WINDY, AS ON OPEN UNDEVELOPED SITES.
 3. THE PLANTING LOCATION IS COMPRISED OF SAND OR OTHER LOOSE TEXTURED SOILS.
 4. IF STAKES AND GUYS ARE REQUIRED, REMOVE AFTER ONE YEAR TIME.

DECIDUOUS TREES 2" TO 4" CALIPER
NOT TO SCALE

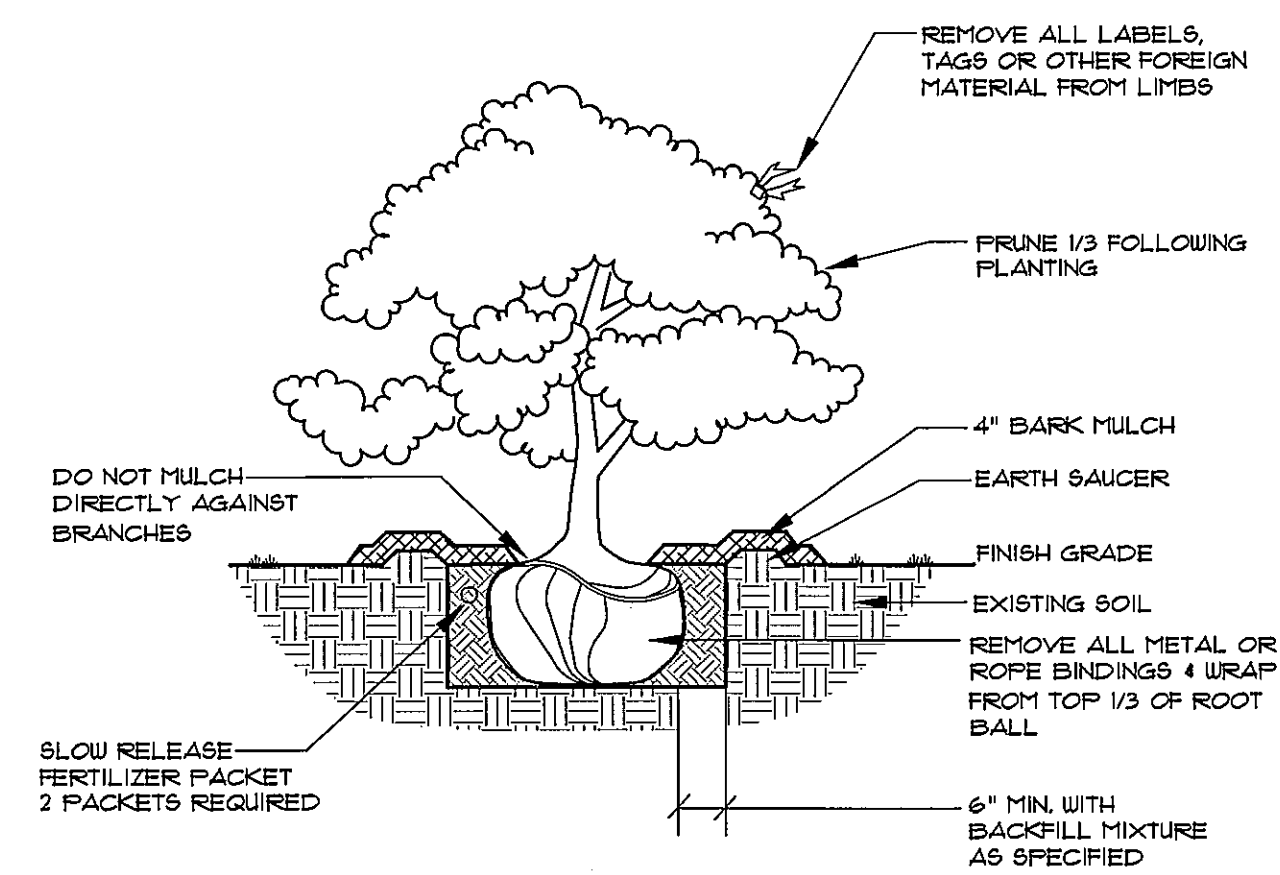


- NOTES:**
1. INSTALL STAKES AND GUYS TO TREES IF THE FOLLOWING APPLY:
 1. THE TREE IS OF SUBSTANTIAL SIZE.
 2. THE PLANTING LOCATION IS EXTREMELY WINDY, AS ON OPEN UNDEVELOPED SITES.
 3. THE PLANTING LOCATION IS COMPRISED OF SAND OR OTHER LOOSE TEXTURED SOILS.
 4. IF STAKES AND GUYS ARE REQUIRED, REMOVE AFTER ONE YEAR TIME.

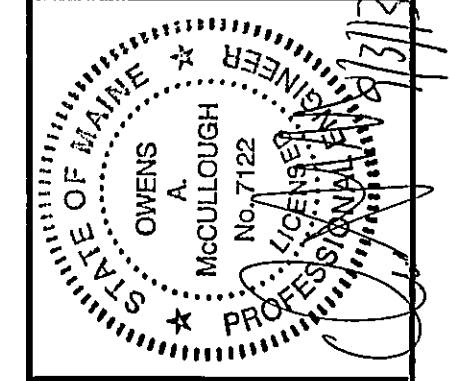
DECIDUOUS TREES UNDER 2" CALIPER OR UNDER 8' IN HEIGHT
EVERGREEN TREES 1"-6" IN HEIGHT & UNDER
NOT TO SCALE



TREE PIT DETAIL
NOT TO SCALE



DECIDUOUS & EVERGREEN SHRUB
NOT TO SCALE



PROJECT NO.	13251
DATE	07-26-13
BY	WTC
DATE	07-29-13
BY	WTC
STATUS	CITY SUBMITTAL 3
STATUS	SUBMIT SITE PLAN APPLICATION TO CITY

SEBAGO TECHNICALS
WWW.SEBAGOTECHNICALS.COM
75 John Roberts Rd., Suite 1A, Scarborough, ME 04074
Tel. 207-200-2100 Fax. 207-833-8558

PROJECT NO. 13251
FIELD BOOK DESIGN CHKD DRAWN
WTC WTC WTC WTC MAL

SEAPORT LOFTS
NEWBURY HANCOCK STREET
PORTLAND, MAINE
FOR: 113 NEWBURY STREET, LLC
35 FAY STREET, SUITE 107B
BOSTON, MA 02118-4320

DATE	SCALE
07-26-13	AS SHOWN