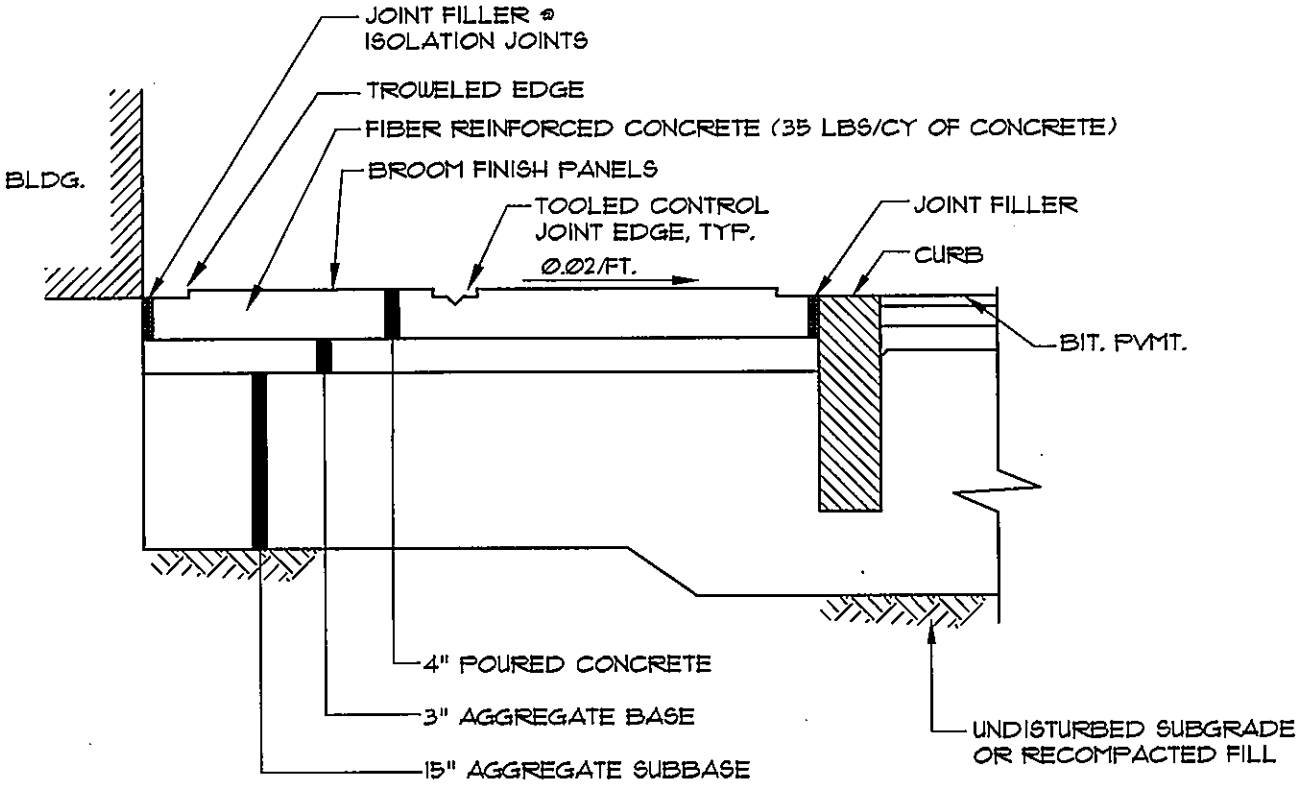


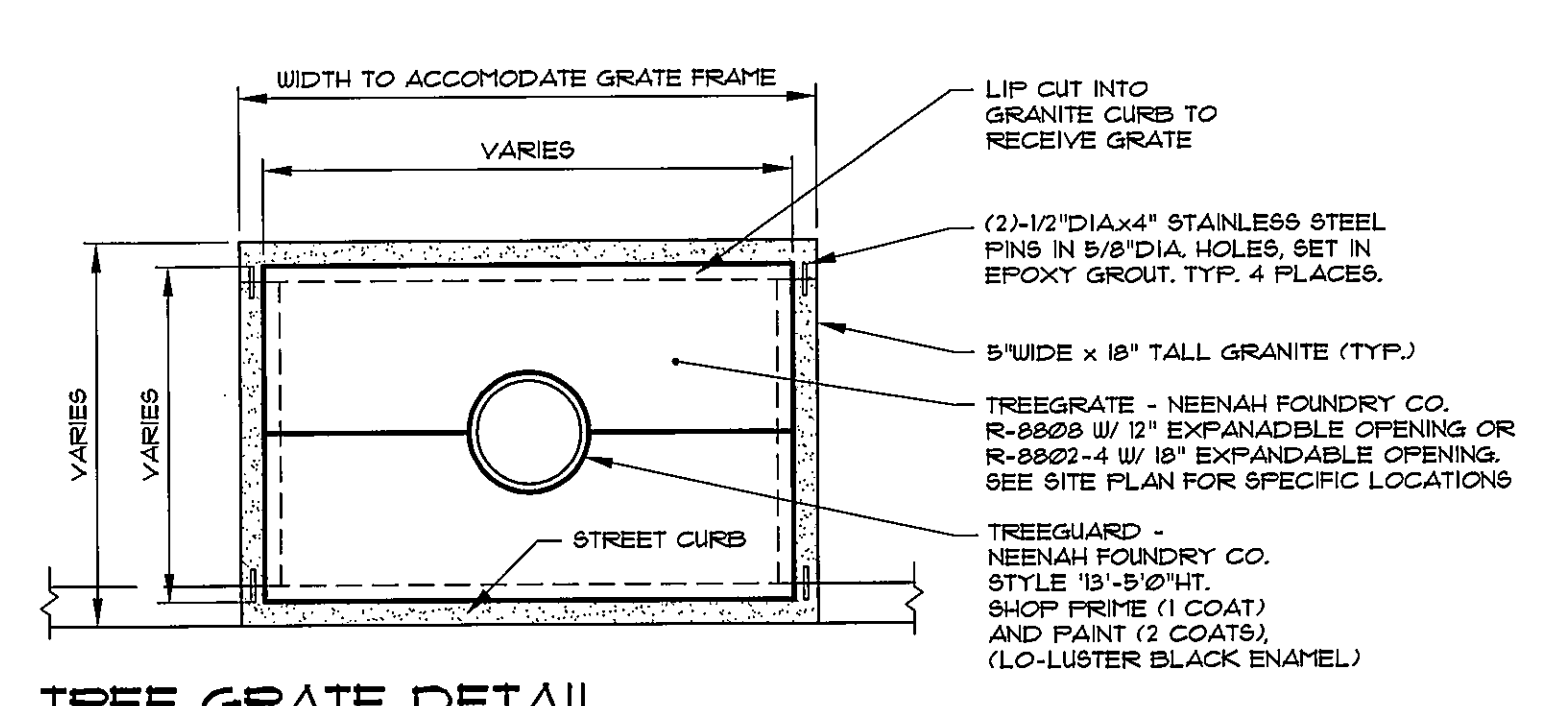
- NOTES:**
1. COMPACT GRAVEL SUBBASE, BASE COURSE TO 92% OF MAXIMUM DENSITY USING HEAVY ROLLER COMPACTION.
 2. CONTRACTOR SHALL SET GRADE STAKES MARKING SUBBASE AND FINISH GRADE ELEVATIONS FOR CONSTRUCTION REFERENCE.

TYP. PAVED DRIVEWAY SECTION
NOT TO SCALE

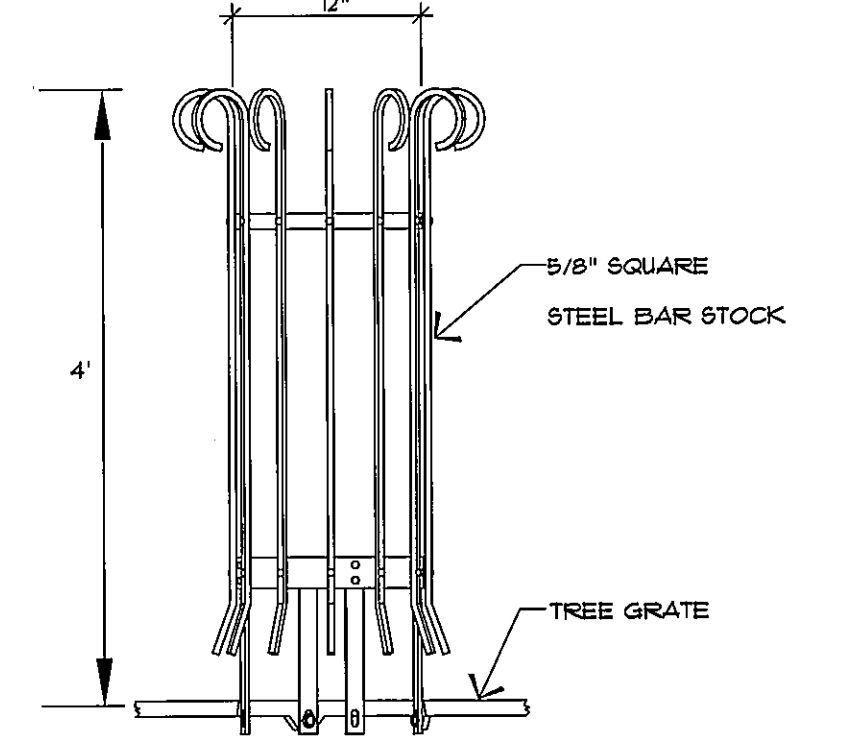


- NOTE:**
1. INSTALL 4.5\"/>
 2. CONCRETE SHALL HAVE AN $F_c=4900$ PSI AND SHALL RECEIVE 2 COATS OF WATER PENETRATING SEALANT.

CONCRETE PAVING
NOT TO SCALE

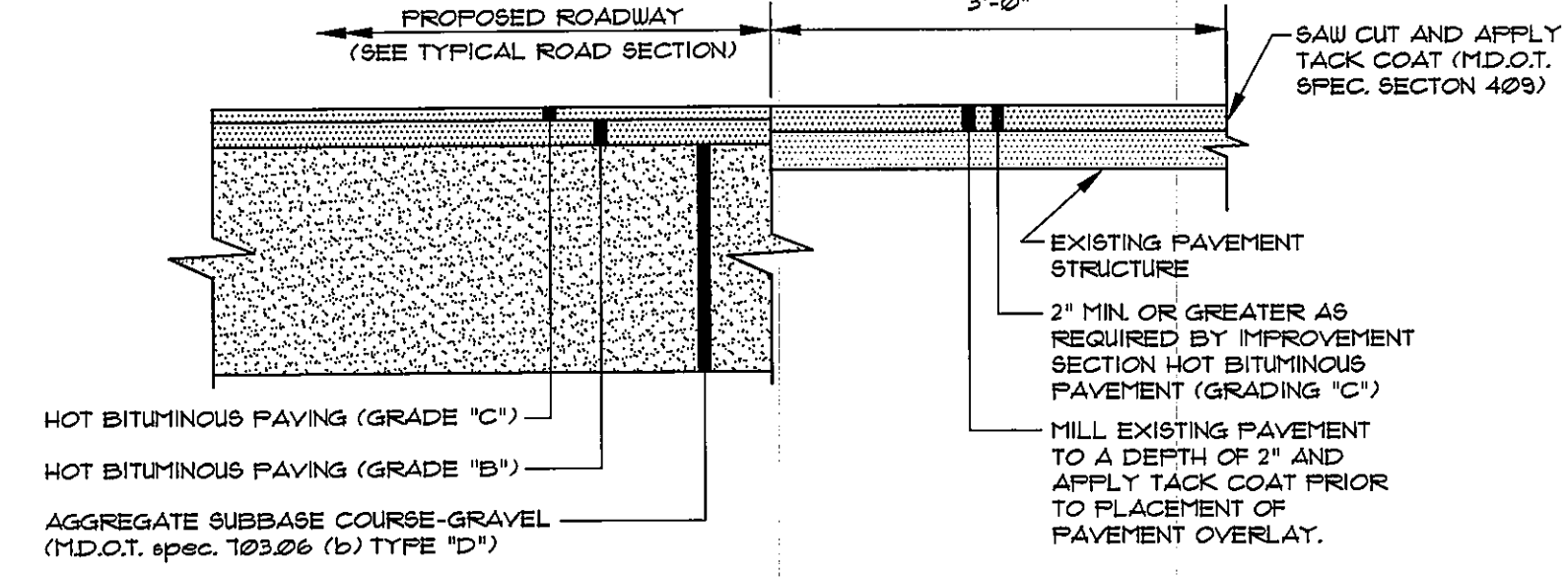


TREE GRATE DETAIL
NOT TO SCALE

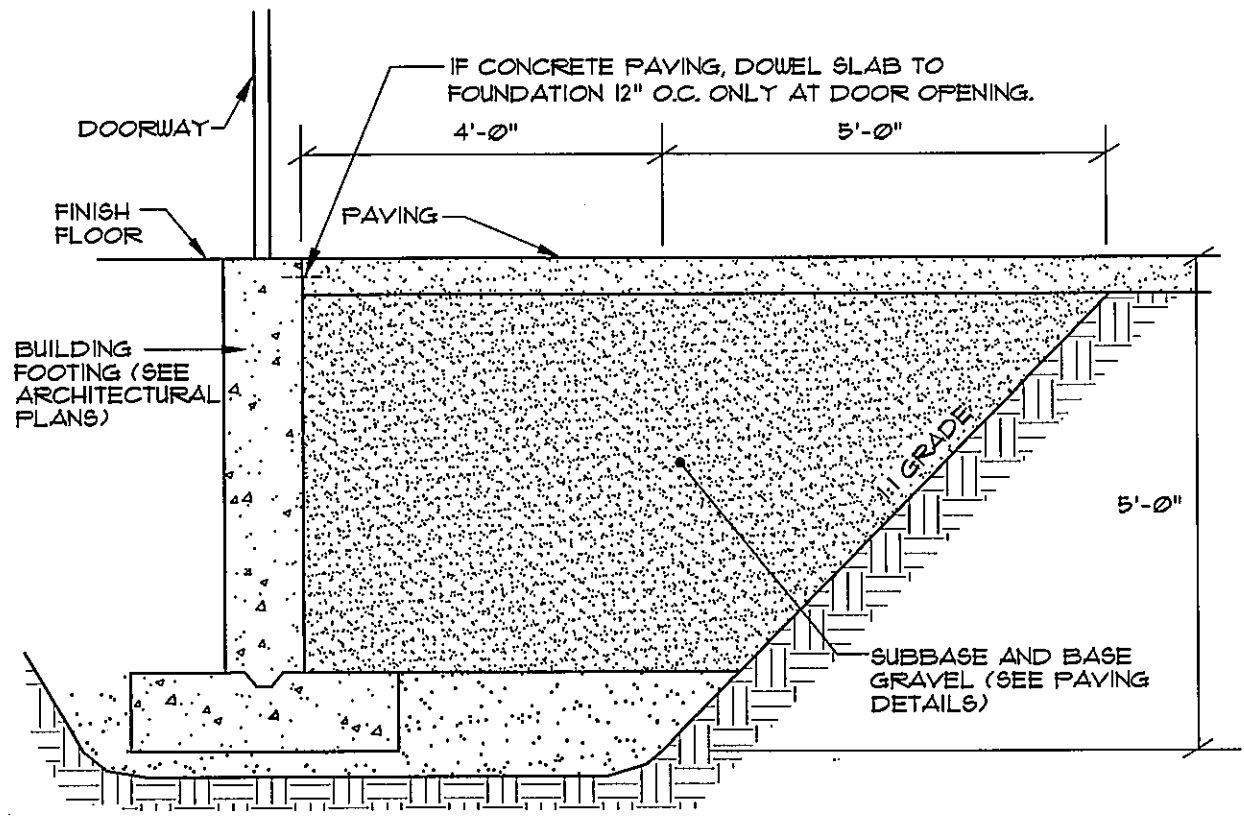


MATERIAL: ALL HOT ROLLED MILD STEEL
FINISH: PAINTED WITH ONE COAT LO-LUSTRE BLACK ENAMEL
Neenah Foundry Co. (nfcocorp), Item: Type A, L4, 12\"/>

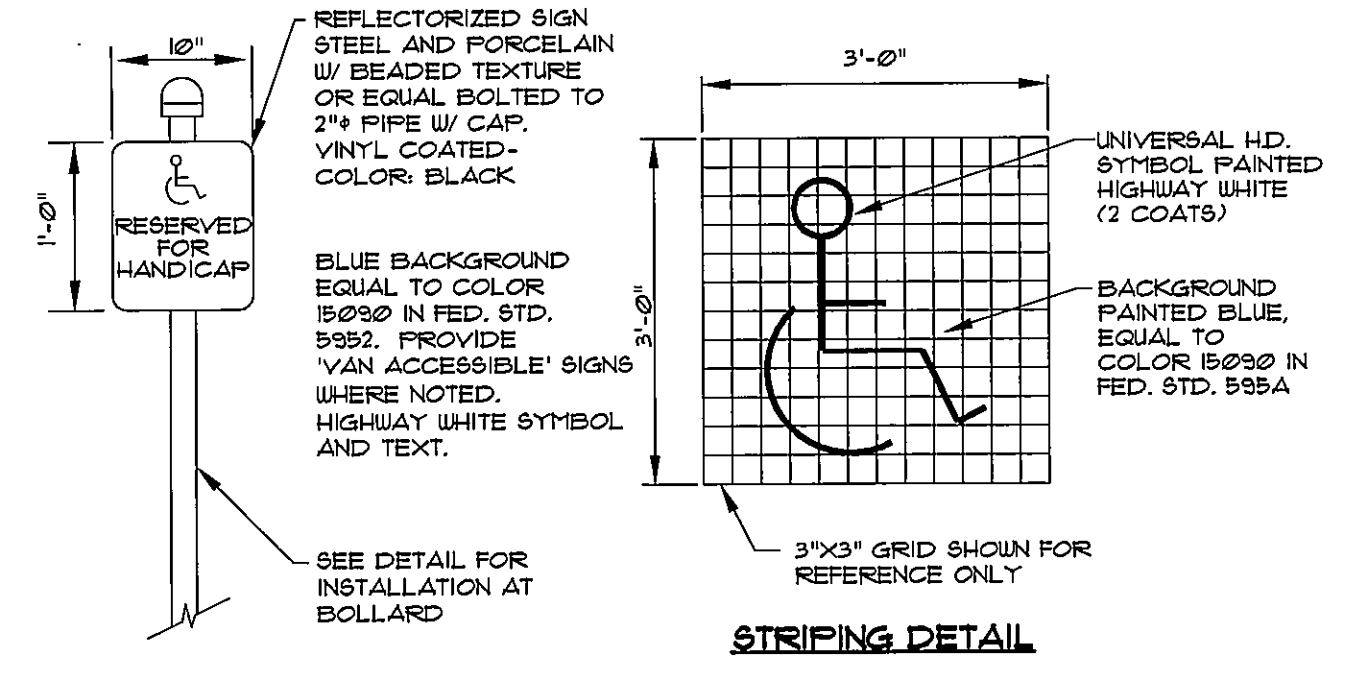
TYPICAL TREE GUARD
NOT TO SCALE



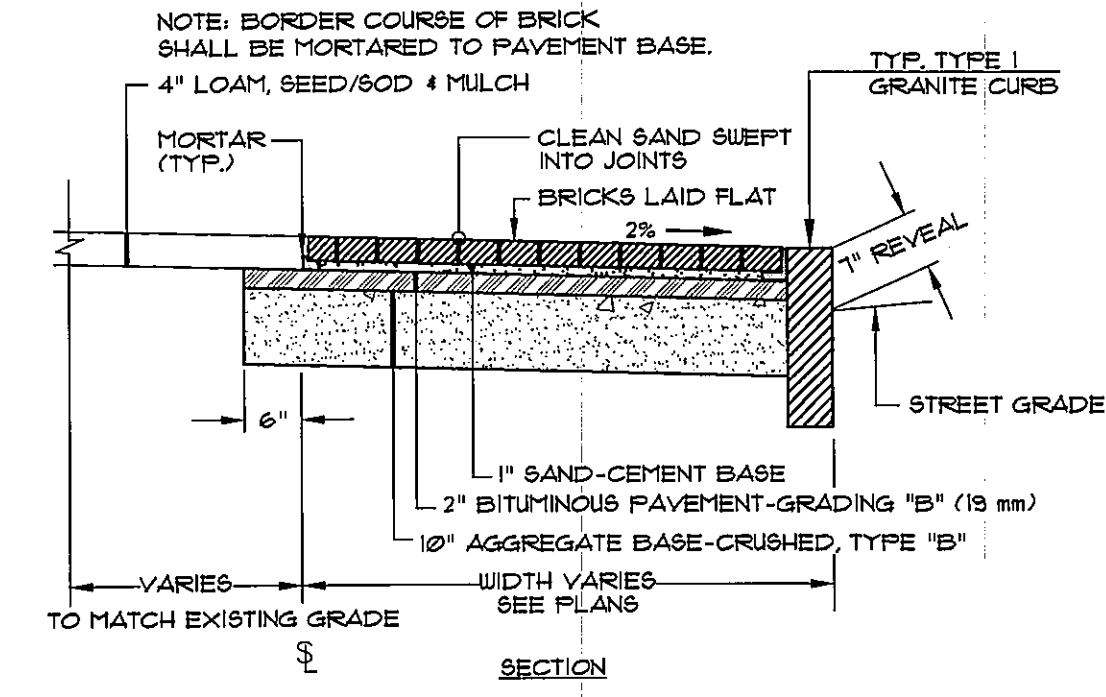
PAVEMENT SAW CUT DETAIL
NOT TO SCALE



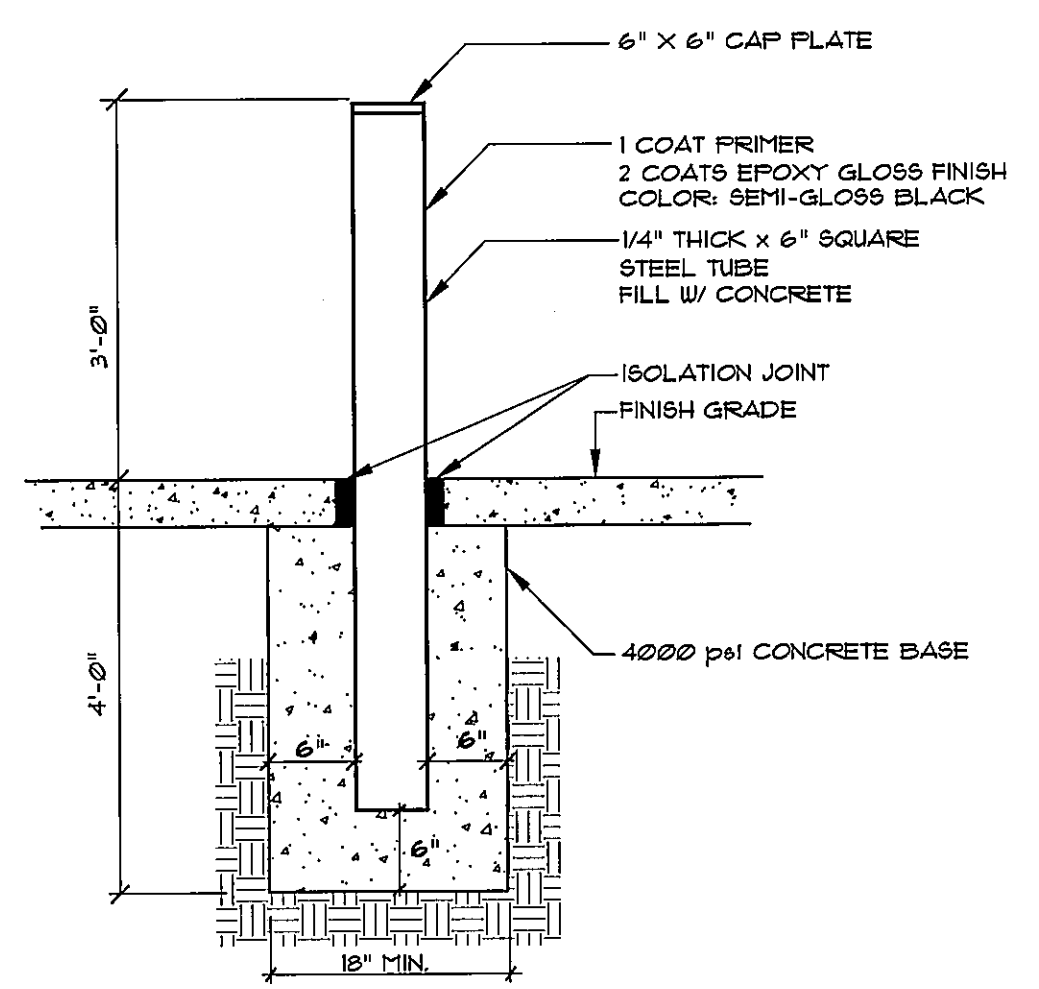
5' GRANULAR BASE @ DOOR THRESHOLD
NOT TO SCALE



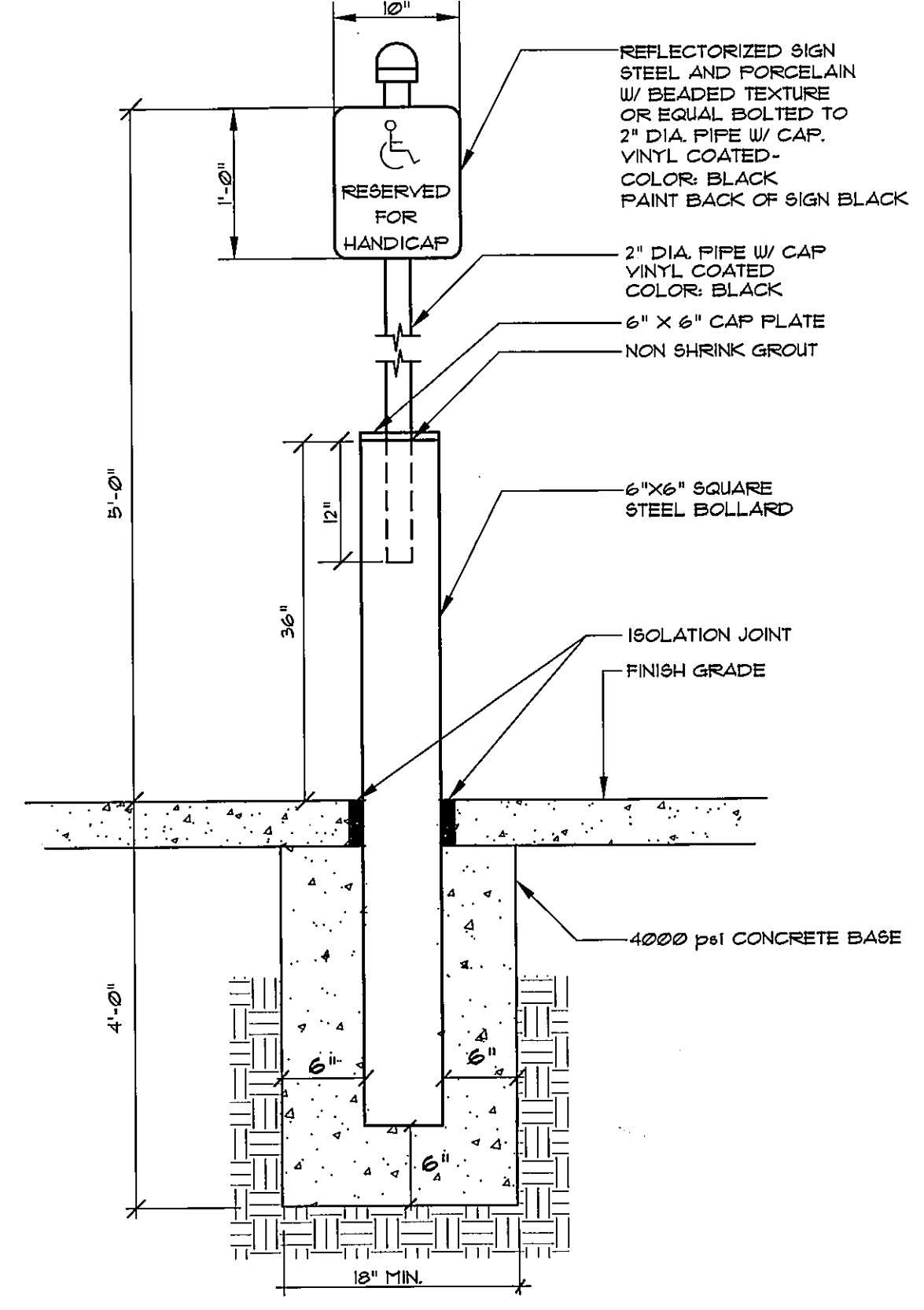
HANDICAP SIGNS AND STRIPING
NOT TO SCALE



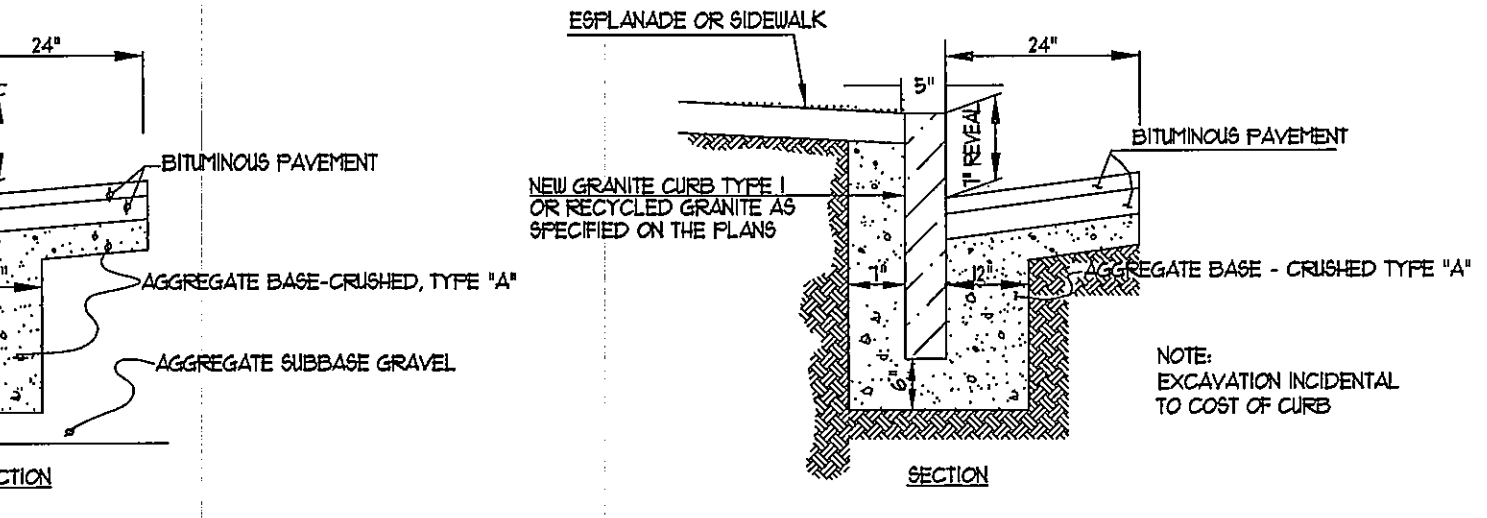
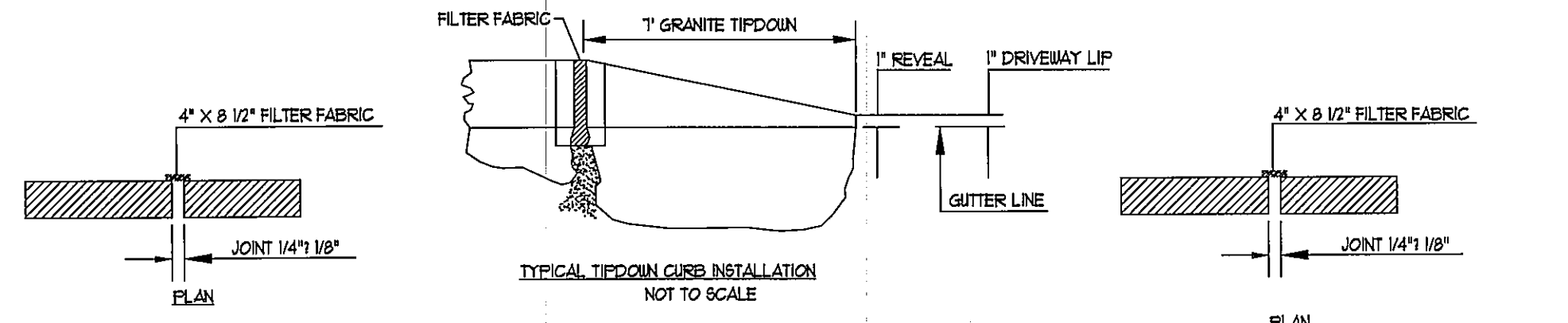
BRICK SIDEWALK DETAIL
NOT TO SCALE



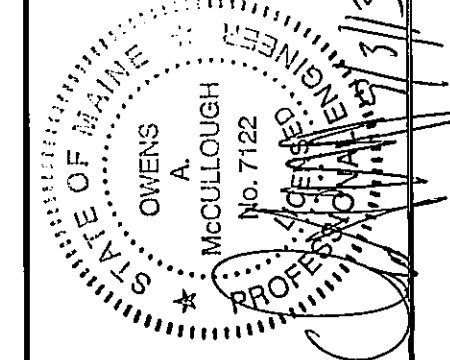
STEEL BOLLARD
NOT TO SCALE



STEEL BOLLARD MOUNTED SIGN
NOT TO SCALE



INSTALLATION OF CURB, TYPE I
NOT TO SCALE



CITY SUBMITTAL 3	DATE: 09-05-13	BY: WTC	STATUS: SUBMIT SITE PLAN APPLICATION TO CITY
B	DATE: 07-29-13	BY: WTC	STATUS: REV.

SEBAGO TECHNICS
WWW.SEAGOTECHNICS.COM
75 John Roberts Rd., Suite 1A
South Portland, ME 04106
Tel: 207-255-5000 Fax: 207-255-9589

PROJECT NO. FIELD BOOK DESIGN CHKD DRAWN
WTC WTC WTC MAL

DETAILS
OF:
SEAPORT LOFTS
NEWBURY/HANCOCK STREET
PORTLAND, MAINE
FOR:
113 NEWBURY STREET, LLC
35 FAY STREET, SUITE 107B
BOSTON, MA 02115-4320

DATE: 07-26-13 SCALE: AS SHOWN

SHEET 10 OF 13