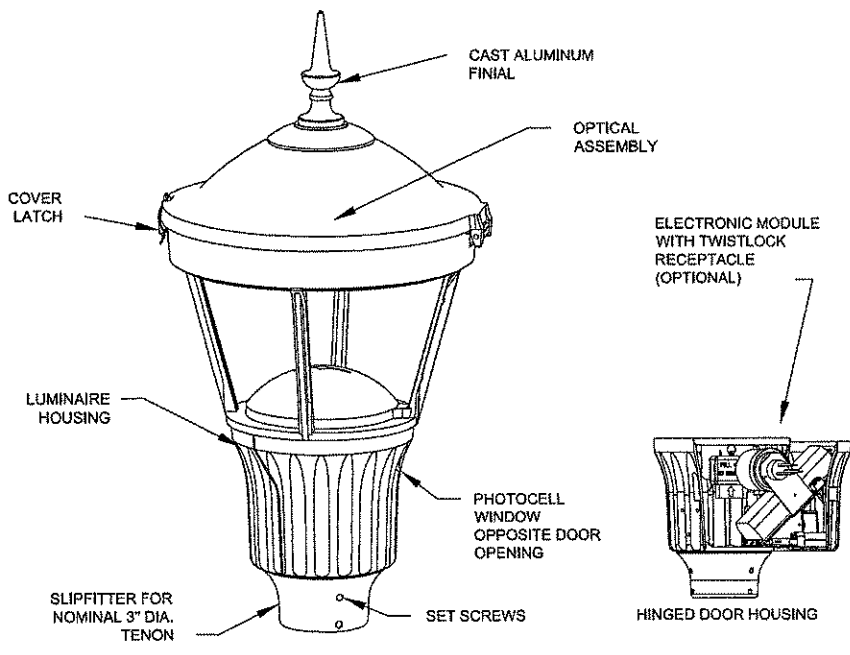
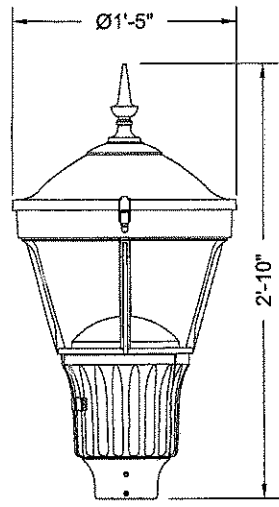


City Submittal 4 - Attachment 1

Maximum weight - 39 lbs
Maximum effective projected area - 1.24 sq. ft.



Utility Postop
Series Luminaire
Full Cutoff LED

DECORATIVE
OUTDOOR

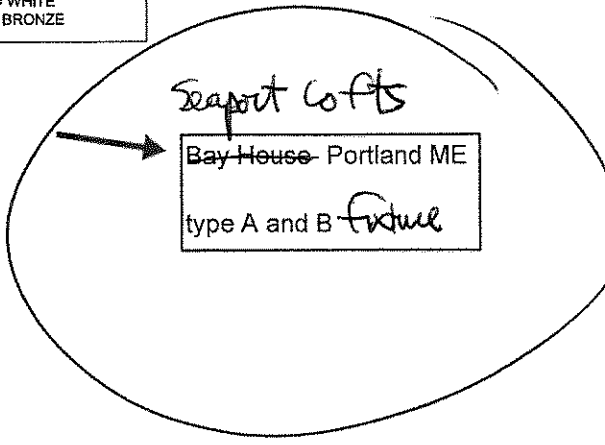
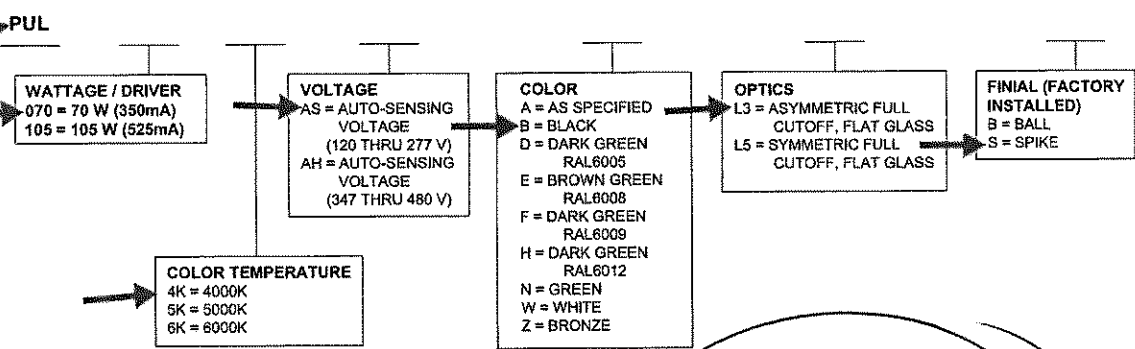


©2010 ACUITY BRANDS LIGHTING INC.. All Rights Reserved

EXAMPLE:

PUL 070 6K AS B L3 S

ORDERING INFORMATION:



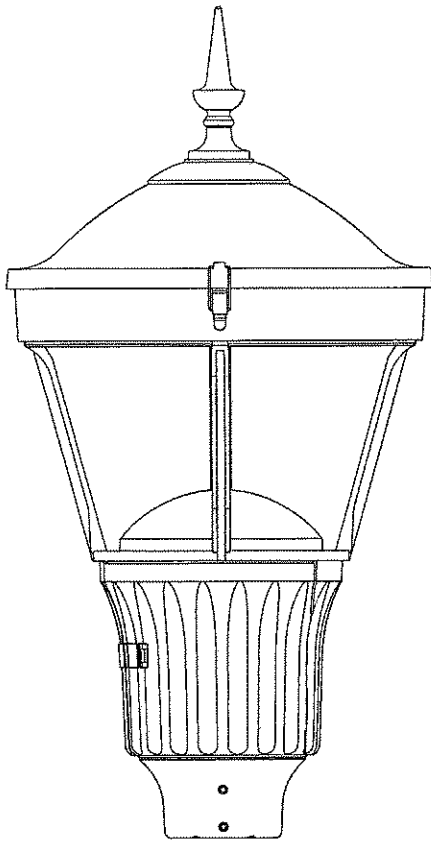
OPTIONS

- OPTIONS**
- DM = 0-10V DIMMING
 - H = NEMA TWISTLOCK PHOTOCONTROL RECEPTACLE ONLY
 - L03 = 3 FEET OF PREWIRED LEADS*
 - L10 = 10 FEET OF PREWIRED LEADS*
 - L20 = 20 FEET OF PREWIRED LEADS*
 - L25 = 25 FEET OF PREWIRED LEADS*
 - L30 = 30 FEET OF PREWIRED LEADS*
 - PCS = DTL SOLID-STATE LIGHTING PHOTOCONTROL 120-277 VOLT (MUST BE USED WITH OPTION "H")
 - P34 = DTL TWISTLOCK PHOTOCONTROL 347 VOLT (MUST BE USED WITH OPTION "H")
 - P48 = DTL TWISTLOCK PHOTOCONTROL 480 VOLT (MUST BE USED WITH OPTION "H")
 - PSC = SHORTING CAP (MUST BE USED WITH OPTION "H")

*UNIT IS PROVIDED WITH 2 FEET OF PREWIRED LEADS UNLESS OTHERWISE SPECIFIED

THIS DRAWING, WHEN APPROVED, SHALL BECOME THE COMPLETE SPECIFICATION FOR THE MATERIAL TO BE FURNISHED BY HOLOPHANE ON THE ORDER NOTED ABOVE. A UNIT OF SIMILAR DESIGN MAY BE SUPPLIED, BUT ONLY AFTER APPROVAL BY THE CUSTOMER IN WRITING. HOLOPHANE SHALL BE RESPONSIBLE FOR THE QUALITY OF THE MATERIAL SUPPLIED. EACH ORDER SHOULD BE ORDERED TO MATCH THE POLE PROVIDED. THIS PRINT IS THE PROPERTY OF HOLOPHANE AND IS LOANED SUBJECT TO RETURN UPON DEMAND AND UPON EXPRESS CONDITION THAT IT WILL NOT BE USED IN CONNECTION WITH ANY CONNECTION WITH MATERIAL FURNISHED BY HOLOPHANE.

ORDER #: _____
TYPE: _____
DRAWN: SGK
DATE: 05/04/11
DWG #: LUM_PUL



FINIALS

BALL



SPIKE



Specifications

GENERAL DESCRIPTION

The Utility Postop LED is designed for ease of maintenance with the plug-in driver module common to each of the luminaires in Holophane's Utility Luminaire Series. A precision optical system maximizes post spacings while maintaining uniform illumination.

OPTICAL SYSTEM

The optical system consists of a precisely engineered LED circuit board located in the top cover. A gasket between the cover and ring along with a flat glass plate and gasket beneath the reflector create a sealed optical compartment that meets an IP rating. Optics designed to provide an I.E.S. Asymmetric or Symmetric full cutoff distribution are available.

LUMINAIRE HOUSING

The luminaire housing, cast of aluminum, anchors the optical system and provides an enclosure for the plug in electrical module. The electrical enclosure conforms to an IP55 rating. For use with units with an E.E.I.-N.E.M.A. twist lock photocell receptacle, the housing contains a glass "window" to allow light to reach the cell. The nickel plated lamp grip socket and the three station incoming line terminal block are pre-wired to a five conductor receptacle for ease in connecting the electrical module. A slipfitter will accept a 3" high by 2 7/8" to 3 1/8" O.D. pole tenon.

LUMINAIRE HOUSING DOOR

Cast of aluminum, the housing door is hinged and latched to the housing. The door forms the mount for the electrical module, and allows easy access during maintenance.

ELECTRICAL MODULE

The electrical components are mounted to an aluminum plate that is removable with standard tools. A matching five plug connector connects the electrical components to the surge protector for quick replacement. For Photoelectric operation, the electrical module is provided with an E.E.I.-N.E.M.A. twist lock Photocell receptacle.

TOP COVER

The top cover, cast of aluminum, is attached to the top ring of the luminaire housing by a stainless steel hinge pin. The cover is latched by an overcenter, positive action, stainless steel latch which allows tool-less entry to the lamp chamber for relamping.

DRIVER

Voltage sensing 120-277V or 347-480V, 50/60 Hz electronic drivers are >90% efficient. Potted for increased thermal management. Removable through hinged door housing. Available with 0-10V dimming control signal input. Refer to Driver Data Sheet for specific operating characteristics.

FINISH

The luminaire is finished with polyester powder paint applied to ensure maximum durability.

UL

The luminaire is UL listed as suitable for wet locations at a maximum of 40 degrees C ambient temperature.

**Utility Postop[®]
Series Luminaire
Full Cutoff LED**

**DECORATIVE
OUTDOOR**

HOLOPHANE[®]
LEADER IN LIGHTING SOLUTIONS
An Acuity Brands Company

THIS DRAWING, WHEN APPROVED, SHALL BECOME THE COMPLETE SPECIFICATION FOR THE MATERIAL TO BE FURNISHED BY HOLOPHANE ON THE ORDER NOTED ABOVE. A UNIT OF SIMILAR DESIGN MAY BE SUPPLIED, BUT ONLY AFTER APPROVAL BY THE CUSTOMER IN WRITING. ALL DIMENSIONS SHALL BE SUPPLIED WITH EACH ANCHOR BOLT ORDER TO MATCH THE POLE PROVIDED. THIS PRINT IS THE PROPERTY OF HOLOPHANE AND IS LOANED SUBJECT TO RETURN UPON DEMAND AND UPON EXPRESS WRITTEN DEMAND SHALL BE RETURNED TO HOLOPHANE. NO REPRODUCTION IN ANY MANNER SHALL BE MADE WITHOUT THE WRITTEN CONSENT AND ONLY IN CONNECTION WITH MATERIAL FURNISHED BY HOLOPHANE.

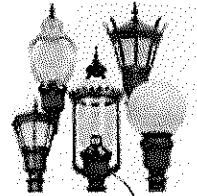
ORDER #: _____
TYPE: _____
DRAWN: SGK
DATE: 05/04/11
DWG #: LUM_PUL

OUTDOOR PHOTOMETRIC REPORT

CATALOG: PUL0704KASXL3X

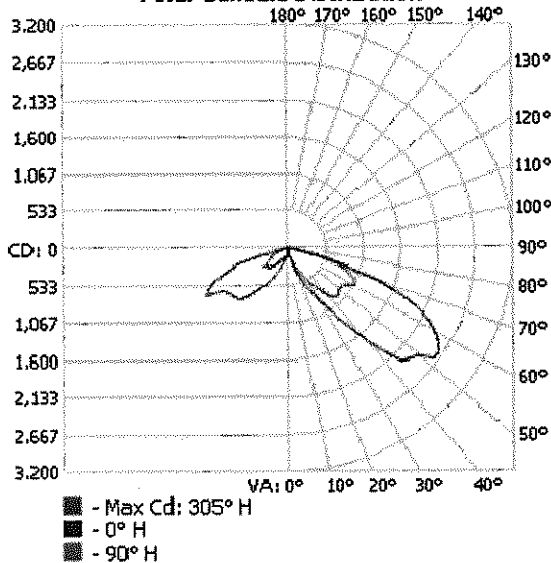
TEST #: 500660
 TEST LAB: ACUITY BRANDS LIGHTING GRANVILLE LAB
 ISSUE DATE: 6/20/2011
 CATALOG #: PUL0704KASXL3X
 LUMINAIRE: FCO LED POST TOP SERIES
 LAMP CAT #: 70W LED ARRAY
 LAMP: 70W LED ARRAY
 LAMP OUTPUT: 1 LAMP, TOTAL LUMINAIRE LUMENS: 4677.7
 TEST BASED ON ABSOLUTE PHOTOMETRY *
 BALLASTCAT: BL-1141
 BALLAST: 120V 70W 350MA ELECTRONIC LED DRIVER
 INPUT WATTAGE: 70
 LUMINOUS OPENING: CIRCULAR (DIA: 3")
 MAX CD: 3,124.0 AT HORIZONTAL: 305°, VERTICAL: 62.5°
 ROADWAY CLASS: SHORT, TYPE III

AcuityBrands

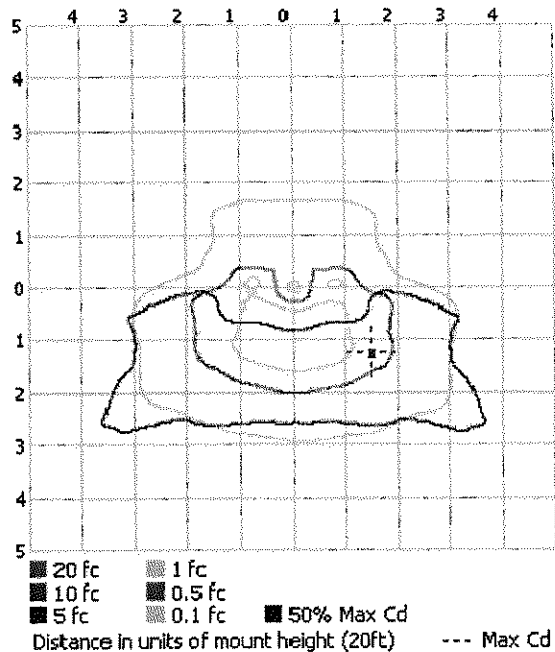


Seaport Lofts
 Bay House - Portland, ME
 type A and B

Polar Candela Distribution



Isofootcandle Plot



*TEST BASED ON ABSOLUTE PHOTOMETRY WHERE LAMP LUMENS=LUMENS TOTAL

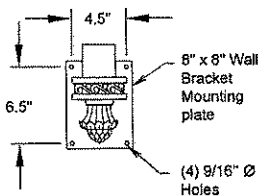
*CUTOFF CLASSIFICATION AND EFFICIENCY CANNOT BE PROPERLY CALCULATED FOR ABSOLUTE PHOTOMETRY.

VISUAL PHOTOMETRIC TOOL 1.2.44 COPYRIGHT 2013, ACUITY BRANDS LIGHTING
 REPORTED DATA CALCULATED FROM MANUFACTURER'S DATA FILE, BASED ON IESNA RECOMMENDED METHODS.

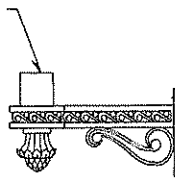
AVONDALE Series

Crossarms & Wall Bracket

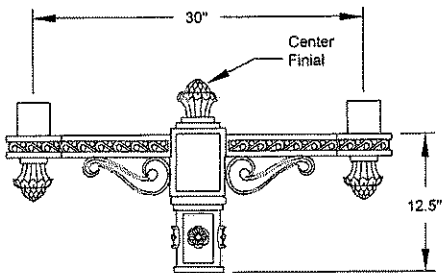
*Seaport Lofts
Fixture A Bracket*



3" O.D. x 3" High Tenon (typical)



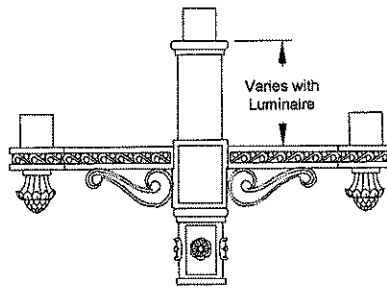
AXWB
(one way wall mount)



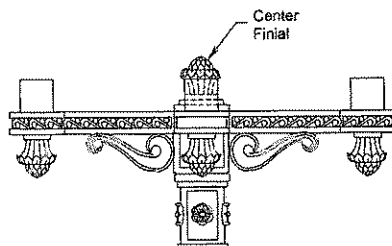
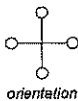
AX30
(two at 180°)



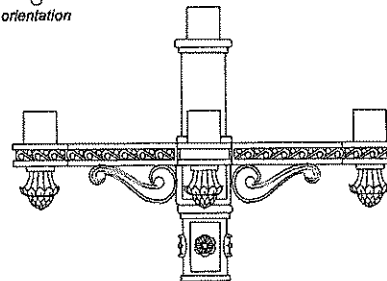
(Note: Dimensions typical for all AX Series).



AX30/2T
(two at 180° w/ one at center)



AX30/4
(four at 90°)



AX30/4T
(four at 90° w/ one at center)

SPECIFICATIONS

CONSTRUCTION

The crossarms and wall brackets shall be one-piece construction. The arms shall be welded to a center spool. For wall brackets the arms shall be welded to a flat wall plate. All welding shall be per ANSI/AWS D1.2-90. All welders shall be certified per ANSI/AWS D1.2-90 Section 5.

MATERIALS

The scrolls, finials, center spool and center spool tenons shall be heavy wall, cast aluminum produced from certified ASTM 356.1 ingot per ASTM B-179-95a or ASTM B26-95. The center luminaire extension piece and wall bracket mounting plate shall be aluminum, ASTM 6061 alloy, heat treated to a T6 temper. All hardware shall be stainless steel. All exterior hardware shall be tamper resistant.

INSTALLATION

The crossarms shall slip-fit a post top tenon and attach with socket set screws. The center finial shall be removable. The wall bracket shall have four 9/16" dia. holes for mounting to the wall. (Bracket mounting hardware furnished by others.) Both crossarms and wall bracket shall have 3" O.D. tenons for luminaire mounting.

For finish specifications and color options see "Finish" section in catalog.

ORDERING GUIDE

| Arms & Bracket Catalog #s | Number of Luminaires Required |
|----------------------------------|-------------------------------|
| <input type="checkbox"/> AXWB | one |
| <input type="checkbox"/> AX30 | two |
| <input type="checkbox"/> AX30/2T | three |
| <input type="checkbox"/> AX30/4 | four |
| <input type="checkbox"/> AX30/4T | five |

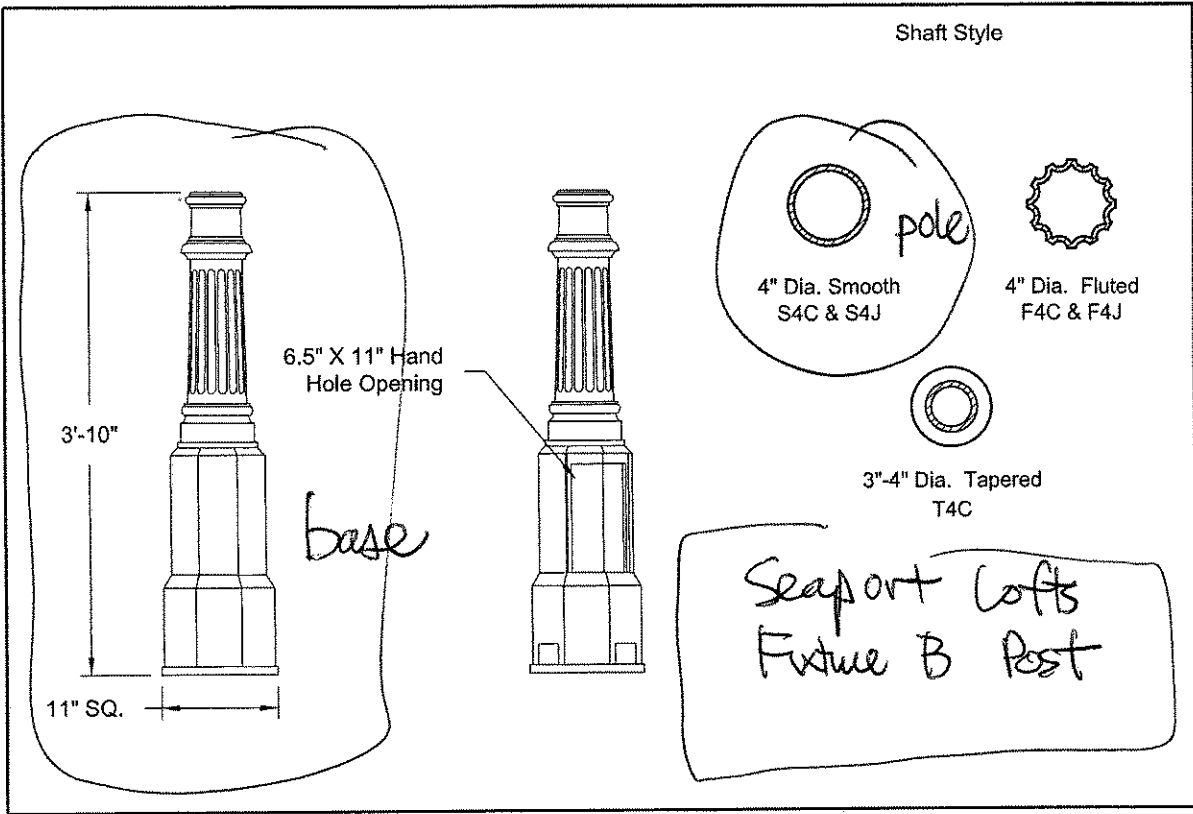
Material / Finish

| | |
|---------------------------------|-------------------------|
| <input type="checkbox"/> -CA/BK | Cast Alum/Black |
| <input type="checkbox"/> -CA/DB | Cast Alum/Dark Bronze |
| <input type="checkbox"/> -CA/DG | Cast Alum/Dark Green |
| <input type="checkbox"/> -CA/PP | Cast Alum/Prime Painted |
| <input type="checkbox"/> -CA/CC | Cast Alum/Custom Color |



HOLOPHANE
LEADER IN LIGHTING SOLUTIONS
An Acuity Brands Company

214 OAKWOOD AVENUE - NEWARK, OHIO 43055

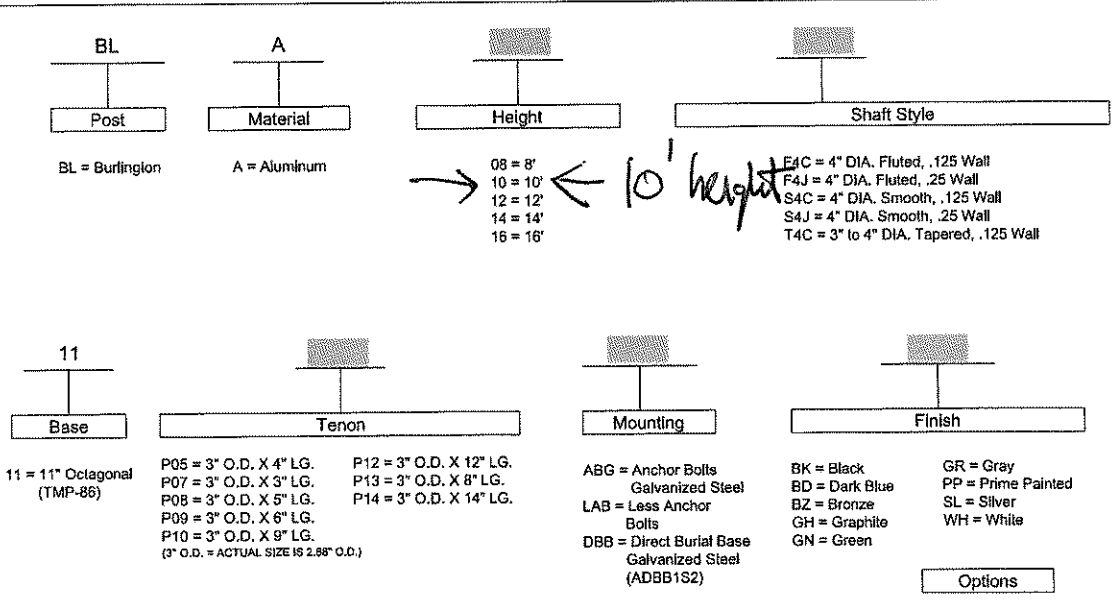


Shaft Style

TM
BURLINGTON
Aluminum Pole

Architectural
Outdoor

ORDERING INFORMATION:



SPECIFICATIONS

DESCRIPTION

The lighting post shall be all aluminum, one-piece construction, with a classic tapered and fluted base design.

MATERIALS

The base and fluted tapered cast shaft shall be heavy wall, cast aluminum produced from certified ASTM 356.1 ingot per ASTM B-179-95a or ASTM B26-95. The straight shafts shall be extruded from aluminum, ASTM 6061 alloy, heat treated to a T6 temper. The tapered shaft shall be extruded from aluminum, ASTM 6063 alloy, spun to a tapered shape, then heat treated to a T6 temper. All hardware shall be tamper resistant stainless steel. Anchor bolts to be completely hot dip galvanized.

CONSTRUCTION

The shaft shall be double welded to the base casting and shipped as one piece for maximum structural integrity. The shaft shall be welded inside the base casting at the top of the access door, and externally where the shaft exits the base. All welding shall be per ANSI/AWS

DIMENSIONS

The post shall be X'- XX" in height with a 11" octagonal base. The shaft diameter shall be XX". At the top of the post, an integral tenon with a transitional donut shall be provided for luminaire mounting.

INSTALLATION

The post shall be provided with four, hot dip galvanized L-type anchor bolts. A door shall be provided in the base for anchorage and wiring access. A grounding screw shall be provided inside the base opposite the door.

2 - "XXX" in provision height can be up to 3 digits depending on height from grade. Must use whole numbers. Leading zeros are not used. Example: S120A for 120 inches or S80A for 80 inches.

HOLOPHANE
An Acuity Brands Company
LEADER IN LIGHTING SOLUTIONS
© 2010 Acuity Brands Lighting, Inc., All Rights Reserved

THIS DRAWING, WHEN APPROVED, SHALL BECOME THE COMPLETE SPECIFICATION FOR THE MATERIAL TO BE FURNISHED BY HOLOPHANE ON THE ORDER NOTED ABOVE. A UNIT OF SIMILAR DESIGN MAY BE SUBMITTED FOR CONSIDERATION. ANY POLYMER OR ANCHOR BOLT TEMPLATE PRINT WILL BE SUPPLIED WITH EACH ANCHOR BOLT ORDER TO MATCH THE PALE PROVIDED. THIS PRINT IS THE PROPERTY OF HOLOPHANE AND IS LOANED TO YOU FOR YOUR CONVENIENCE. IT WILL NOT BE USED DIRECTLY OR INDIRECTLY IN ANY WAY DETRIMENTAL TO OUR INTERESTS, AND ONLY IN CONNECTION WITH MATERIAL FURNISHED BY HOLOPHANE.

| | | | |
|----------|-----|--------|----------|
| ORDER #: | ACH | DATE: | 03/22/11 |
| TYPE: | ACH | DWG #: | POL_BLA |
| 1 of 3 | | | |