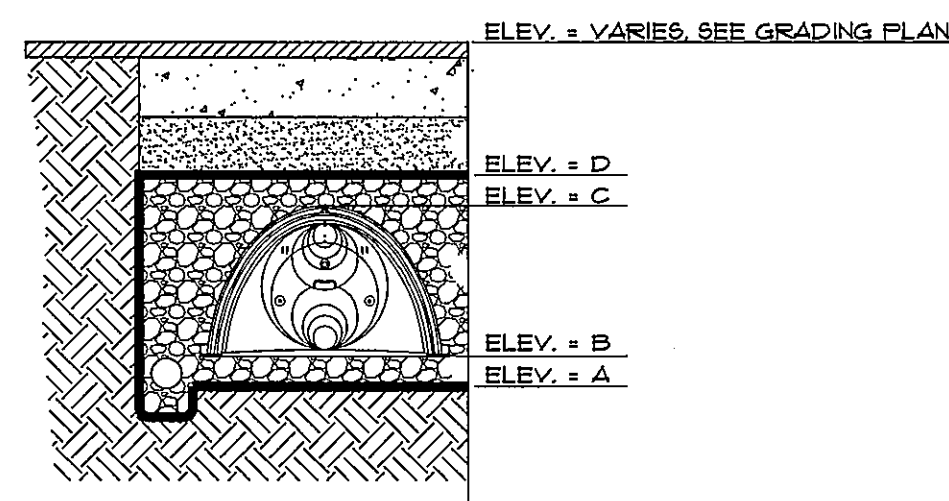


NOTES:

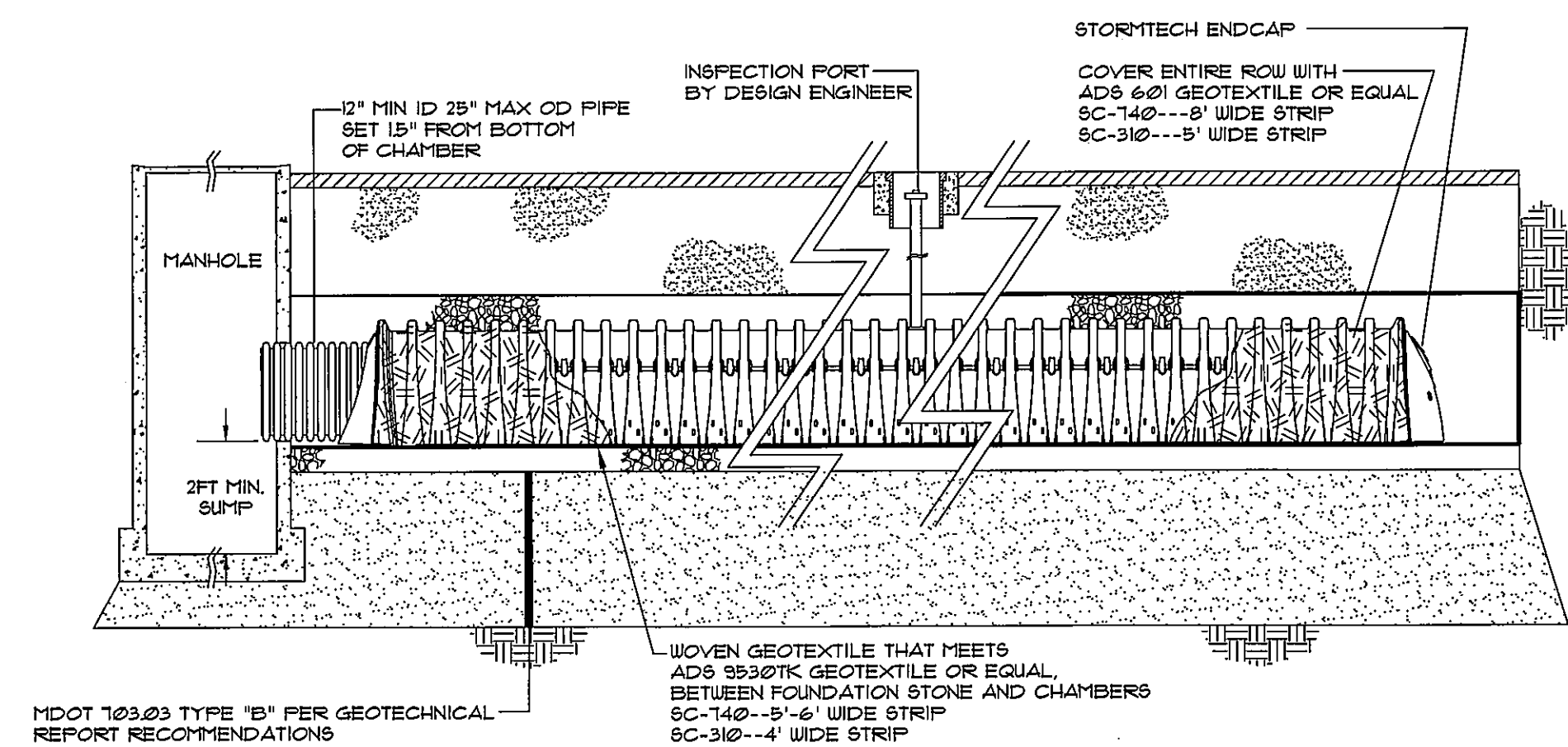
1. ALL DESIGN SPECIFICATIONS FOR STORMTECH CHAMBERS SHALL BE IN ACCORDANCE WITH THE STORMTECH DESIGN MANUAL.
2. THE INSTALLATION OF STORMTECH CHAMBERS SHALL BE IN ACCORDANCE WITH THE LATEST STORMTECH INSTALLATION INSTRUCTIONS.
3. THE CONTRACTOR IS ADVISED TO REVIEW AND UNDERSTAND THE INSTALLATION INSTRUCTIONS PRIOR TO BEGINNING SYSTEM INSTALLATION. CALL 1-888-892-2634 OR VISIT WWW.STORMTECH.COM TO RECEIVE A COPY OF THE LATEST STORMTECH INSTALLATION INSTRUCTIONS.
4. CONTACT DESIGN ENGINEER PRIOR TO INSTALLATION OF UNDERDRAIN AND STORMTECH SYSTEM.

**STORMTECH SC-140 CHAMBER SYSTEM
OPTIONAL INSPECTION PORT DETAIL
NOT TO SCALE**

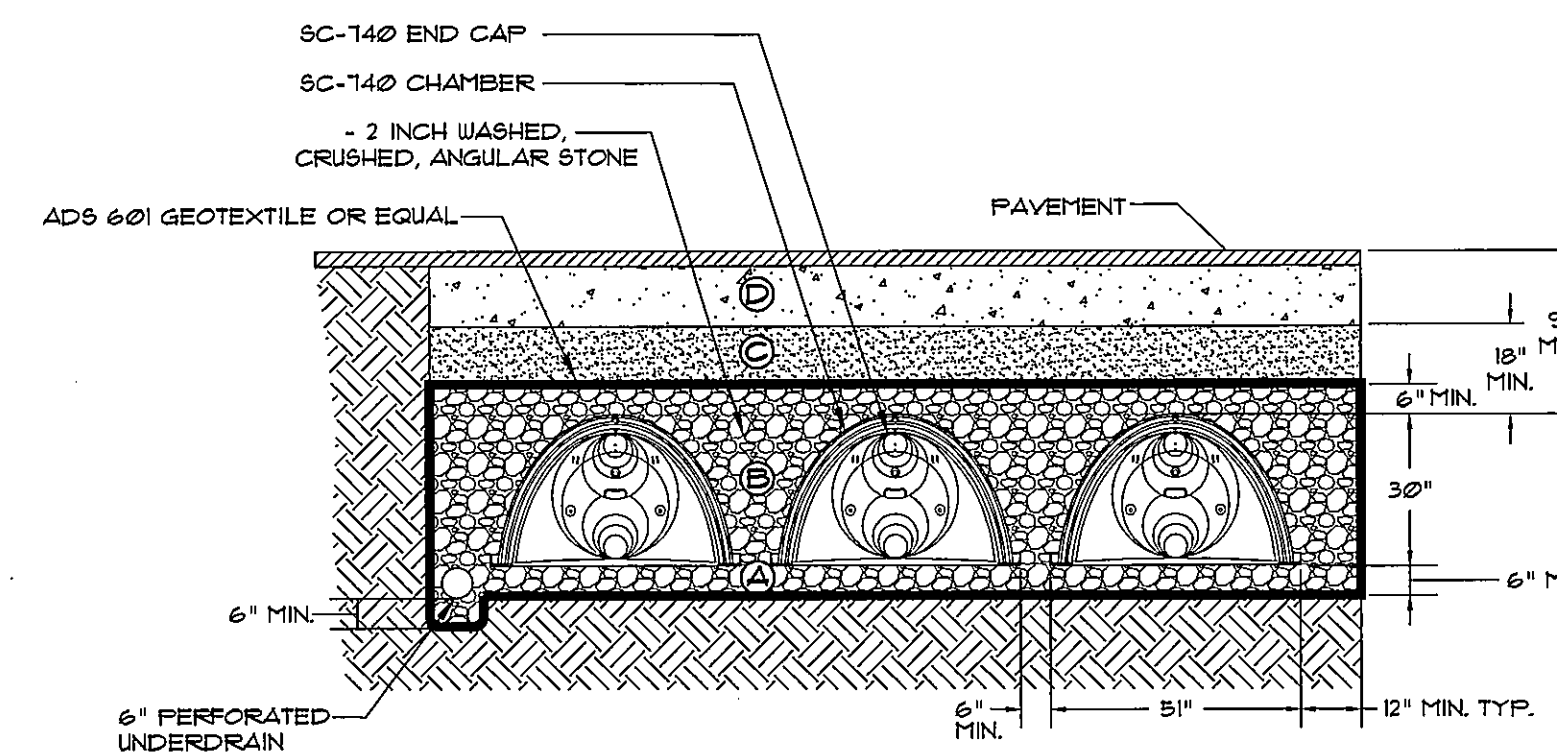


STORMTECH ELEVATIONS				
ST-1	A	B	C	D
	34.05	34.55	37.05	37.55

NOTE: ELEV. A IS THE ELEVATION OF THE BOTTOM OF STONE AND THE INVERT OF THE 6" UNDERDRAIN



**STORMTECH ISOLATOR™ ROW PROFILE VIEW DETAIL
NOT TO SCALE**



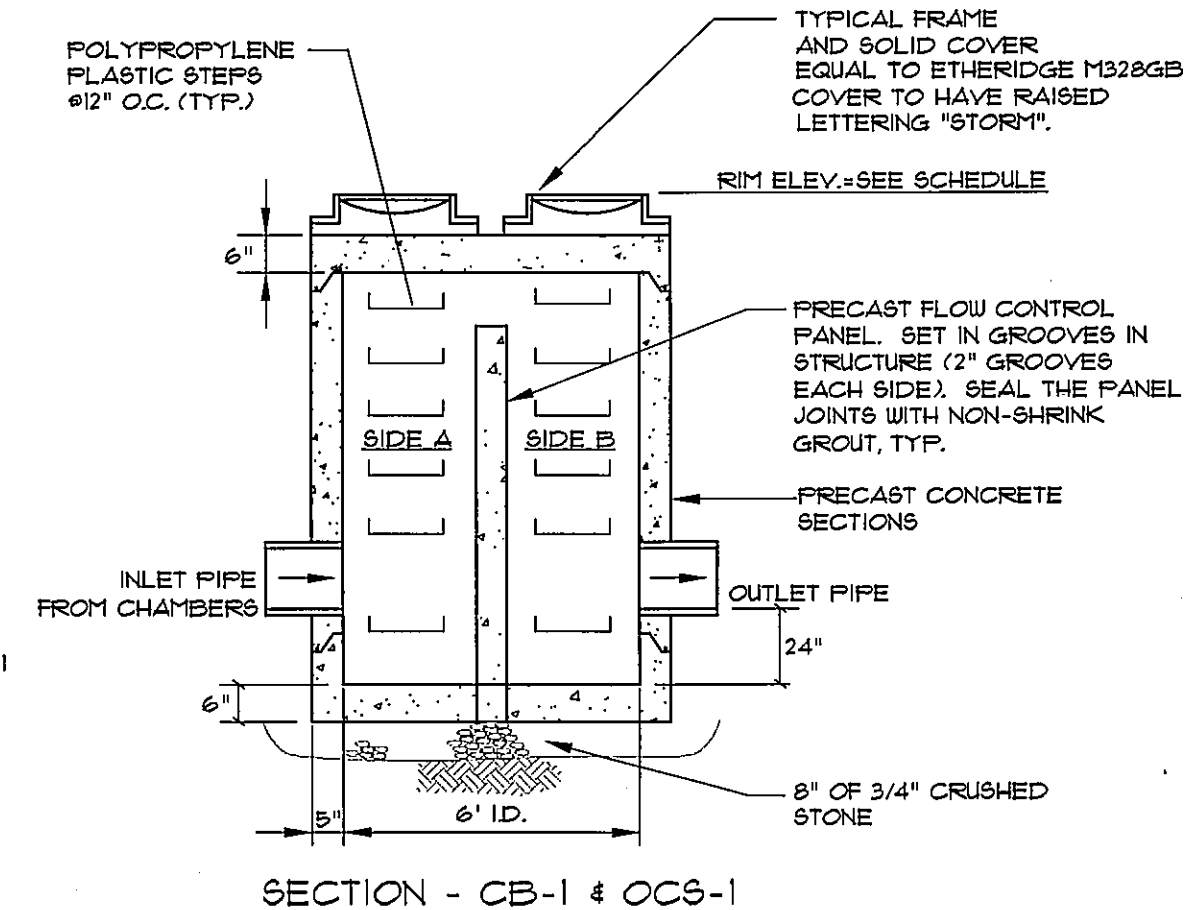
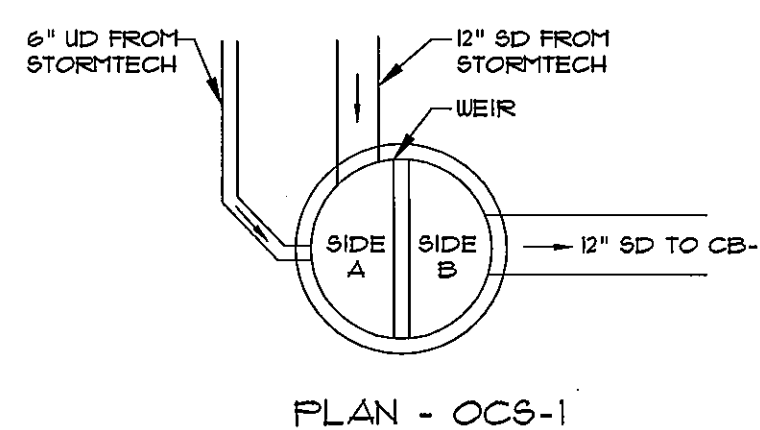
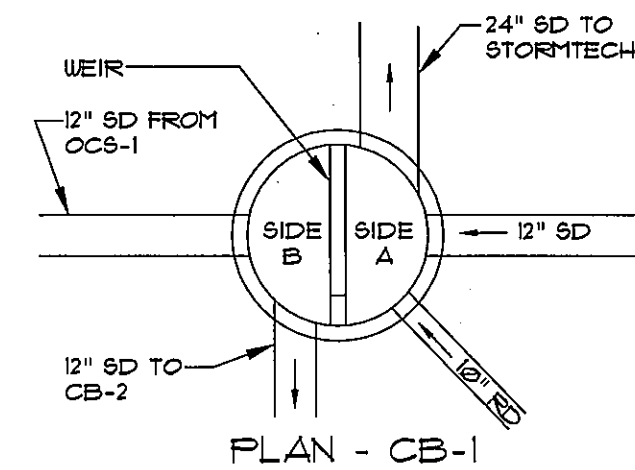
COMPACTION/DENSITY REQUIREMENTS:

1. WASHED, ANGULAR STONE WITH THE MAJORITY OF PARTICLES BETWEEN 3/4" - 2". FLATE COMPACT OR ROLL TO ACHIEVE A 95% STANDARD PROCTOR DENSITY.
2. WASHED, ANGULAR STONE WITH THE MAJORITY OF PARTICLES BETWEEN 3/4" - 2". NO COMPACTION REQUIRED.
3. GRANULAR WELL-GRADED SOIL/AGGREGATE MIXTURES, <38% FINES. COMPACT IN 6" LIFTS TO A MINIMUM 95% STANDARD PROCTOR DENSITY. ROLLER GROSS VEHICLE WEIGHT NOT TO EXCEED 12,000 POUNDS.
4. ANY SOIL/ROCK MATERIALS, NATIVE SOILS OR PER ENGINEER'S PLANS. CHECK PLANS FOR PAVEMENT SUBGRADE REQUIREMENTS. PREPARE PER ENGINEER'S PLANS.

MEDOT SPECIFICATIONS FOR UNDERDRAINS (MEDOT #103.22)

SIEVE SIZE	% BY WEIGHT
UNDERDRAIN TYPE B	
1"	90-100
1/2"	75-100
3/4"	50-100
20	15-80
50	0-15
200	0-5
UNDERDRAIN TYPE C	
1"	100
3/4"	90-100
3/8"	0-75
4"	0-25
10	0-5
	3/4

**STORMTECH SC-140 CHAMBER SYSTEM
NOT TO SCALE**



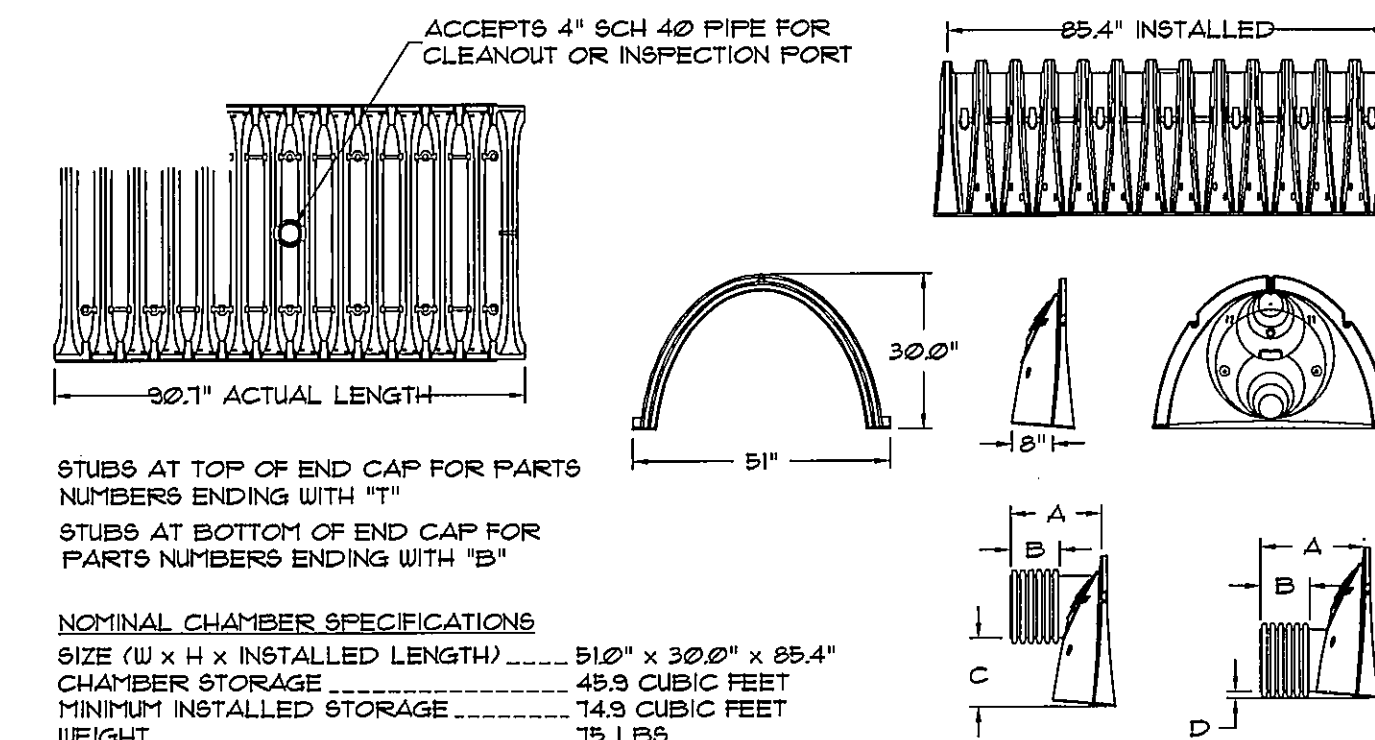
**OUTLET CONTROL STRUCTURE (OCS) FOR ST-1
NOT TO SCALE**

1. SUBMIT SHOP DRAWINGS FOR OWNER/ENGINEER APPROVAL.
2. STRUCTURE SHALL BE DESIGNED FOR H-20 LOADING.

OUTLET CONTROL STRUCTURE SCHEDULE

CB-1	RIM ELEV.	SIDE A		SIDE B		WEIR ELEV.
		INV. IN	INV. OUT	INV. IN	INV. OUT	
	33.15	34.80 (12" SD) 35.00 (10" SD) TO STORMTECH	34.70 (24" SD)	33.75 (12" SD)	33.50 (12" SD)	37.00
OCS-1	33.55	34.05 (6" UD) 34.40 (12" SD)	34.05 6" ORIFICE	-	33.50 (12" SD)	36.50

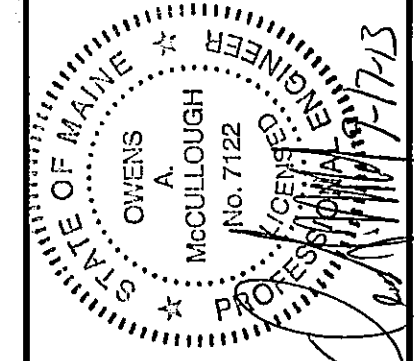
**STORMTECH SC-140 CHAMBER SYSTEM
TYPICAL CROSS SECTION DETAIL
NOT TO SCALE**



PART #	CHAMBER	PIPE SIZE	A	B	C	D
SC140EPE12B	SC 140	15 in (375 mm)	19.30 in (490 mm)	10.30 in (262 mm)	10.5	26.7 in (30 mm)
SC140EPE24B	SC 140	24 in (600 mm)	18.50 in (470 mm)	9.45 in (240 mm)	N/A	20.0 in (3 mm)

NOTE: ALL DIMENSIONS ARE NOMINAL
ALL STUDS, EXCEPT FOR THE SC310EPE12B AND SC140EPE24B ARE PLACED AT BOTTOM OF END CAP SUCH THAT THE OUTSIDE DIAMETER OF THE STUD IS FLUSH WITH THE BOTTOM OF THE END CAP.
* FOR THE SC310EPE12B THE 12" STUD LIES BELOW THE BOTTOM OF THE END CAP APPROXIMATELY 0.25". FOR THE SC140EPE24B THE 24" STUD LIES BELOW THE BOTTOM OF THE END CAP APPROXIMATELY 1.75". BACKFILL MATERIAL SHOULD BE REMOVED FROM BELOW THE N-12 STUD SO THAT THE FITTING SETS LEVEL.

**STORMTECH SC-140 CHAMBER
TECHNICAL SPECIFICATIONS
NOT TO SCALE**



NO.	DATE	BY	REVISION
1	05-17-13	WTC	CITY SUBMITTAL 4
2	09-05-13	WTC	CITY SUBMITTAL 3
3	07-29-13	WTC	SUBMIT SITE PLAN APPLICATION TO CITY
4		REV.	STATUS

SEBAGO TECHNICALS
WWW.SEAGOTECHNICALS.COM
75 John Roberts Rd., Suite 1A
South Portland, ME 04086
Tel: 207.202.2100
Tel: 207.755.9555

PROJECT NO.	FIELD BOOK	DESIGN	CHKD	DRAWN
			WTC	WTC

13251

DETAILS
OF:
SEAPORT LOFTS
NEWBURY/HANCOCK STREET
PORTLAND, MAINE
FOR:
113 NEWBURY STREET, LLC
35 FAY STREET, SUITE 107B
BOSTON, MA 02118-4320

DATE	SCALE
07-26-13	AS SHOWN

SHEET 14 OF 14