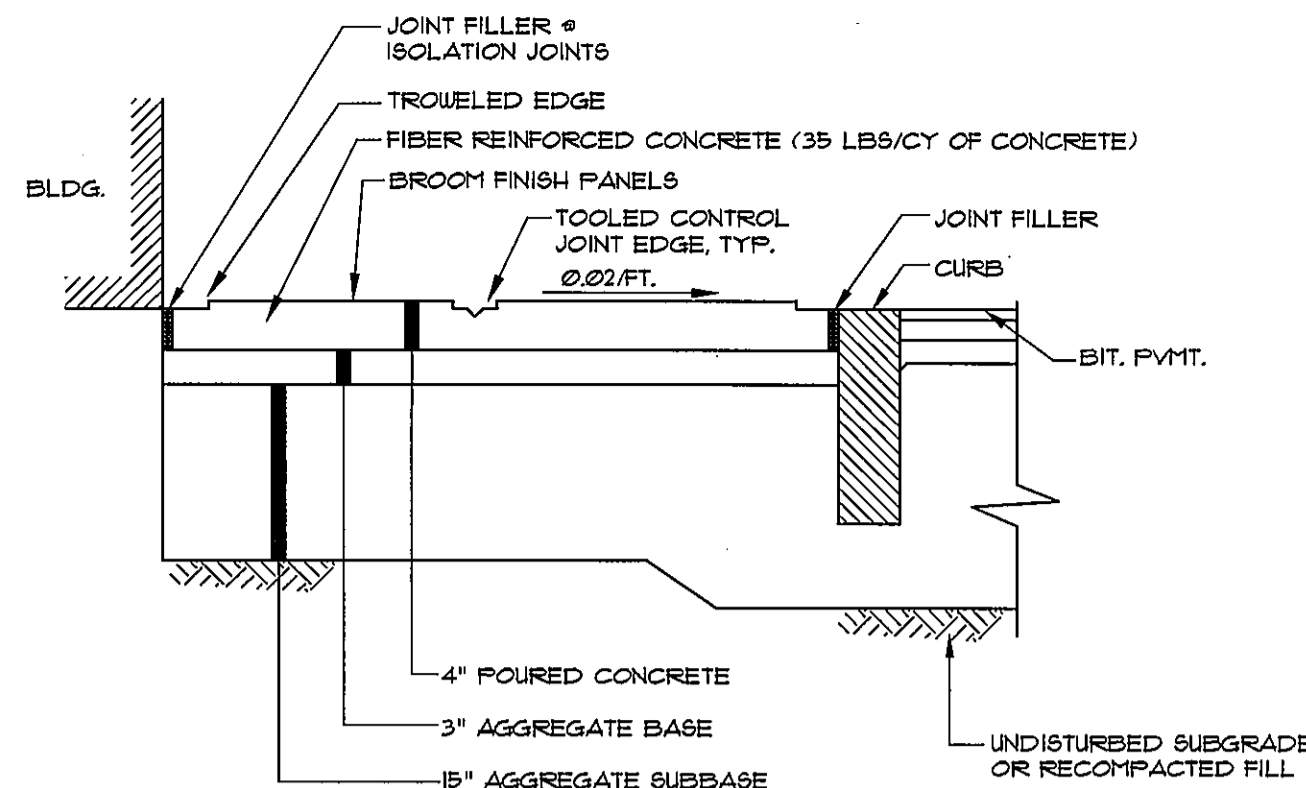


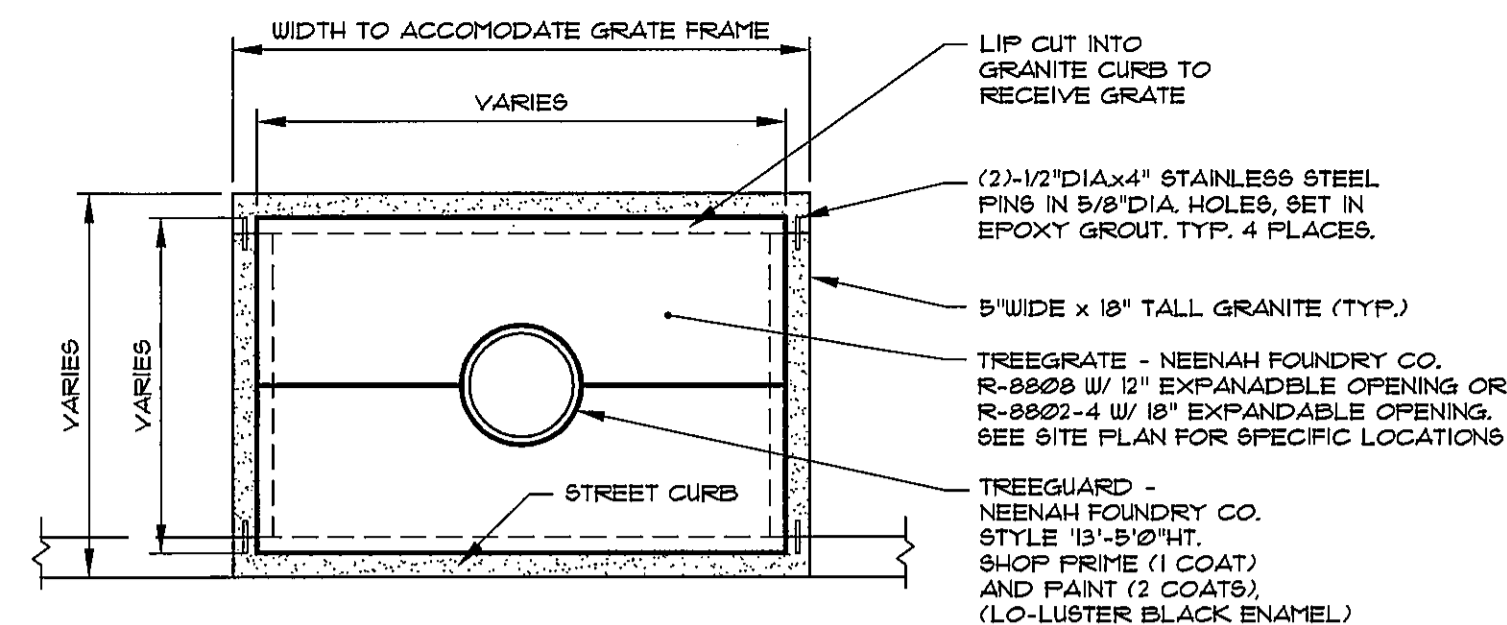
- NOTES:**
1. COMPACT GRAVEL SUBBASE, BASE COURSE TO 92% OF MAXIMUM DENSITY USING HEAVY ROLLER COMPACTION.
 2. CONTRACTOR SHALL SET GRADE STAKES MARKING SUBBASE AND FINISH GRADE ELEVATIONS FOR CONSTRUCTION REFERENCE.

TYP. PAVED DRIVEWAY SECTION
NOT TO SCALE

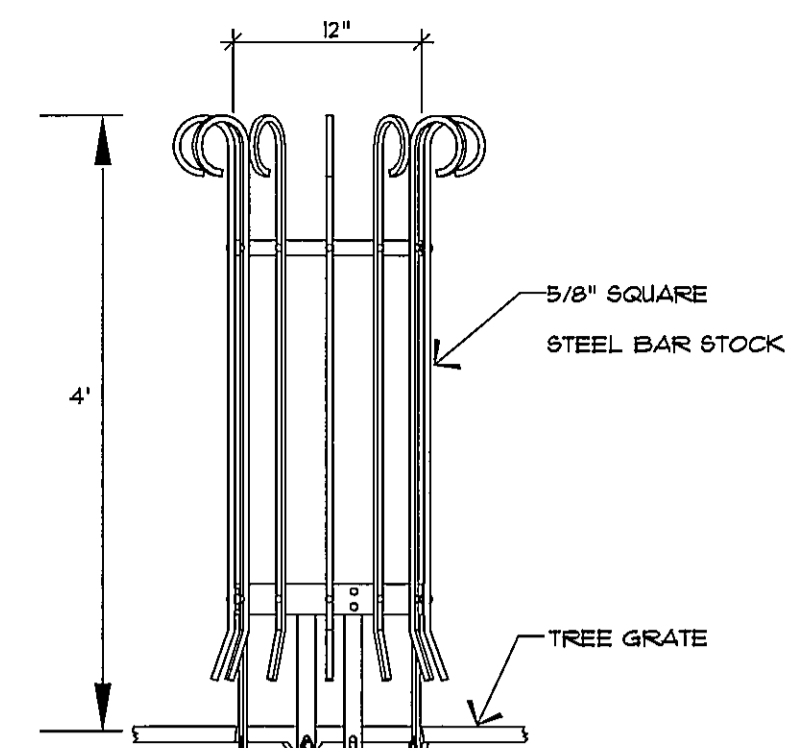


- NOTE:**
1. INSTALL 4.5' DEEP SELECT FILL BELOW ENTRANCE SIDEWALKS AT BUILDING (OR TO DEPTH OF SOUND, INTACT BEDROCK).
 2. CONCRETE SHALL HAVE AN Fc=4500 PSI AND SHALL RECEIVE 2 COATS OF WATER PENETRATING SEALANT.

CONCRETE PAVING
NOT TO SCALE

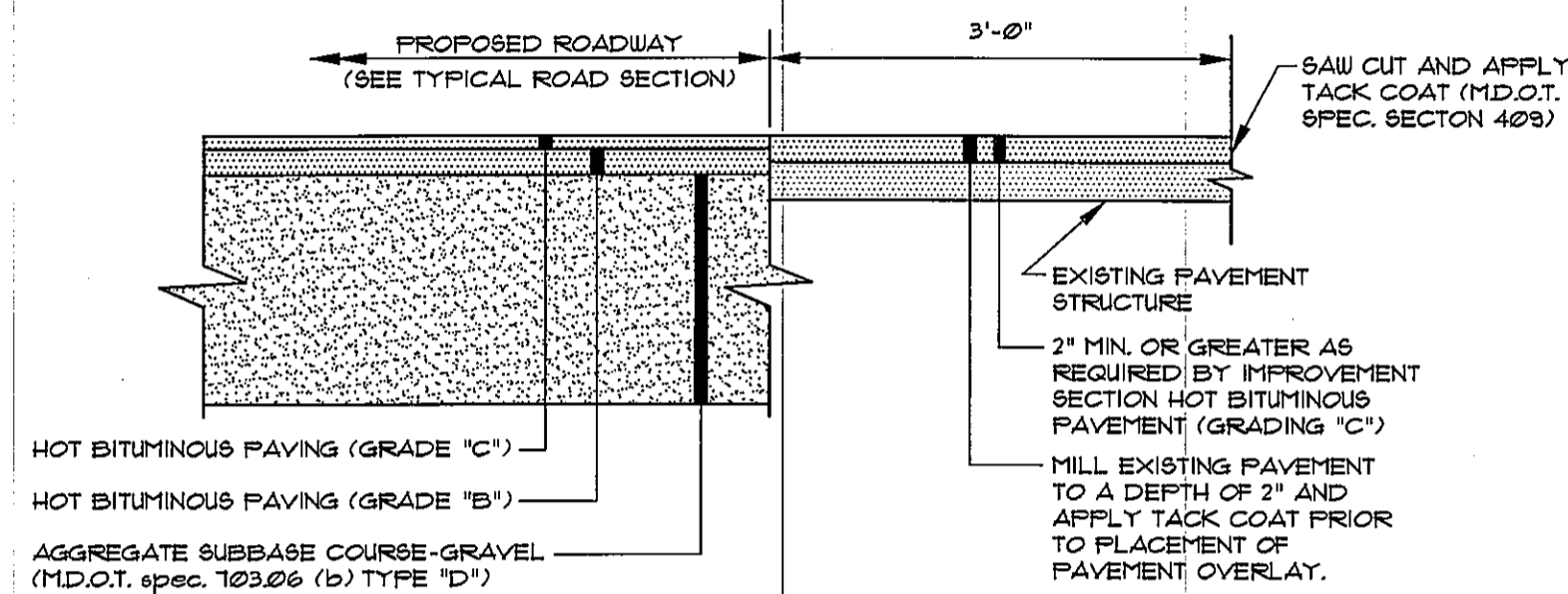


TREE GRATE DETAIL
NOT TO SCALE

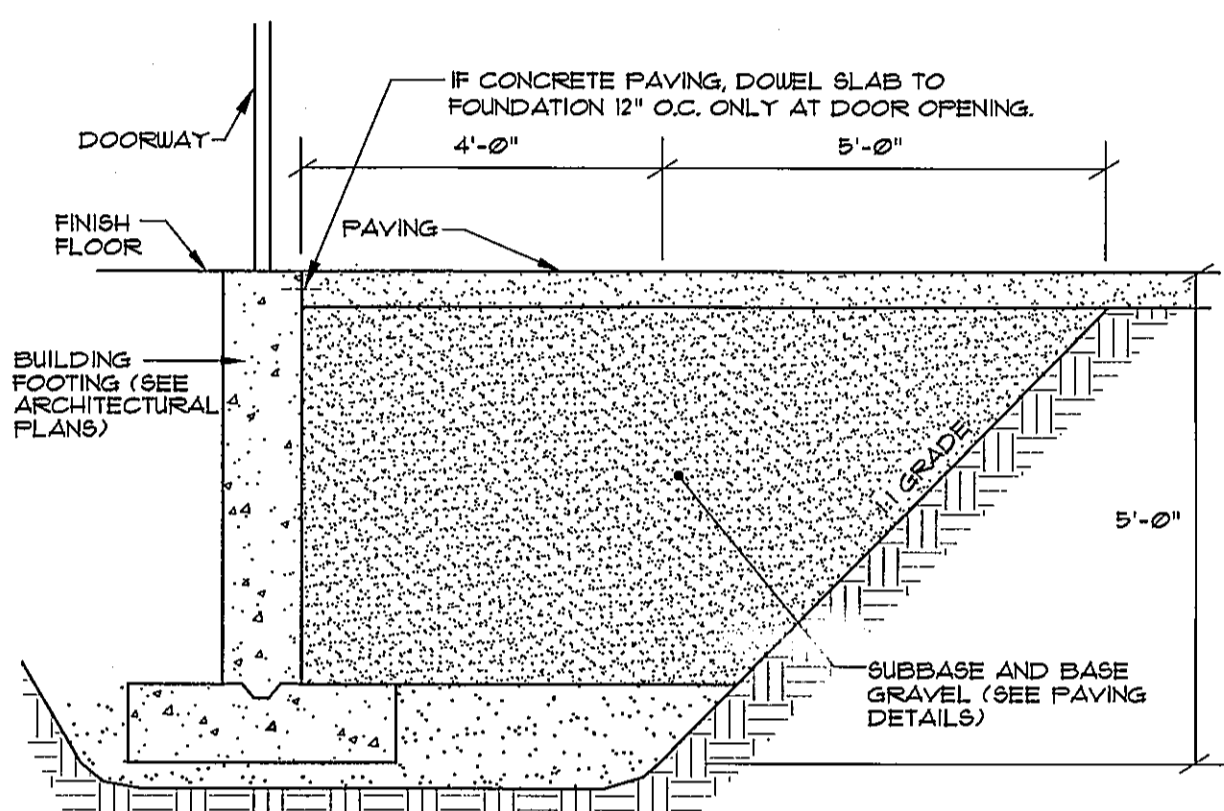


MATERIAL: ALL HOT ROLLED MILD STEEL
FINISH: PAINTED WITH ONE COAT LO-LUSTER BLACK ENAMEL
Neenah Foundry Co. (ntco.com), Item: Type A, L4, 12" opening.

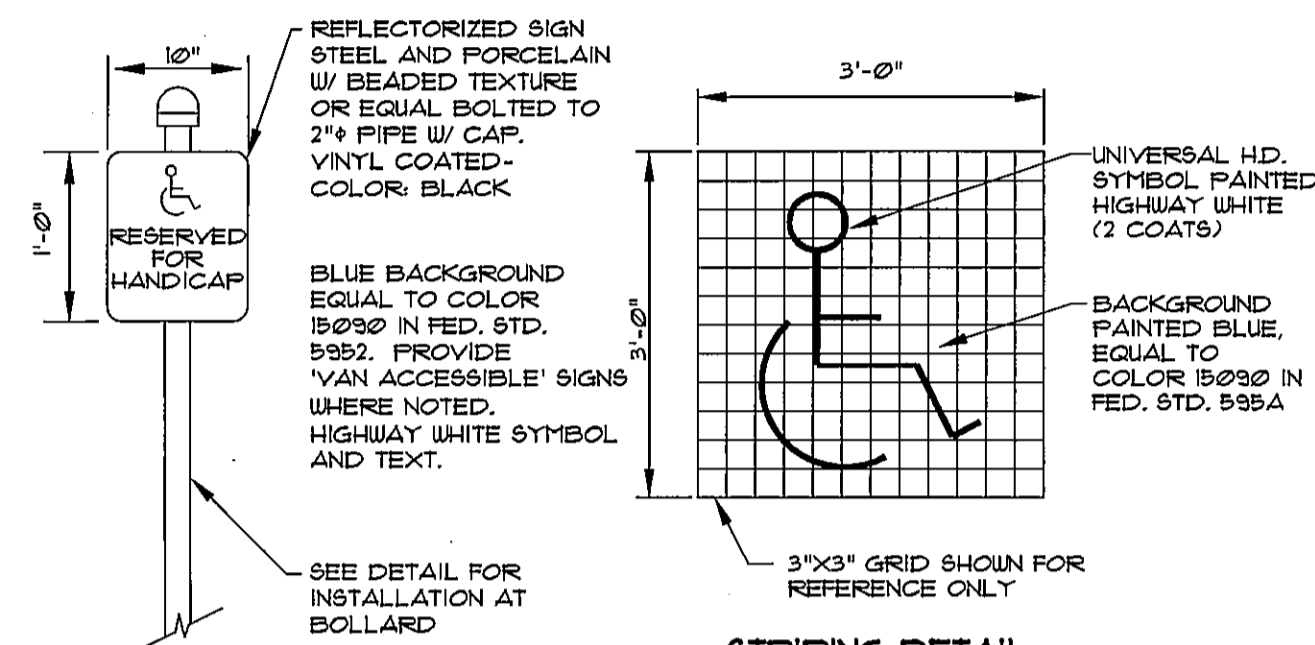
TYPICAL TREE GUARD
NOT TO SCALE



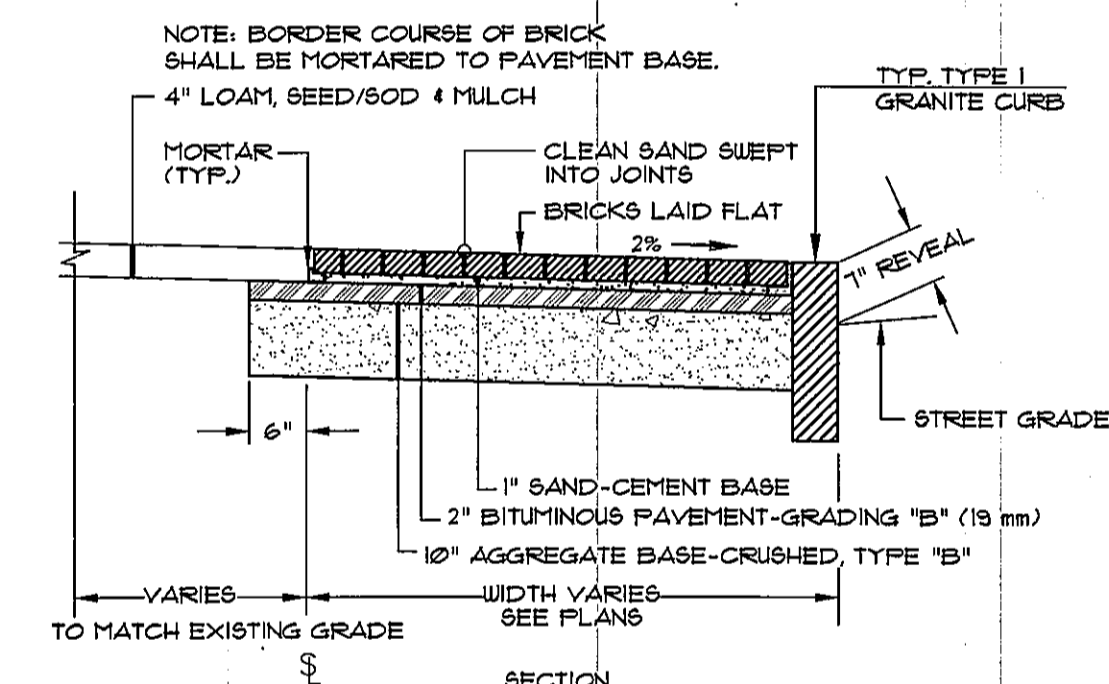
PAVEMENT SAW CUT DETAIL
NOT TO SCALE



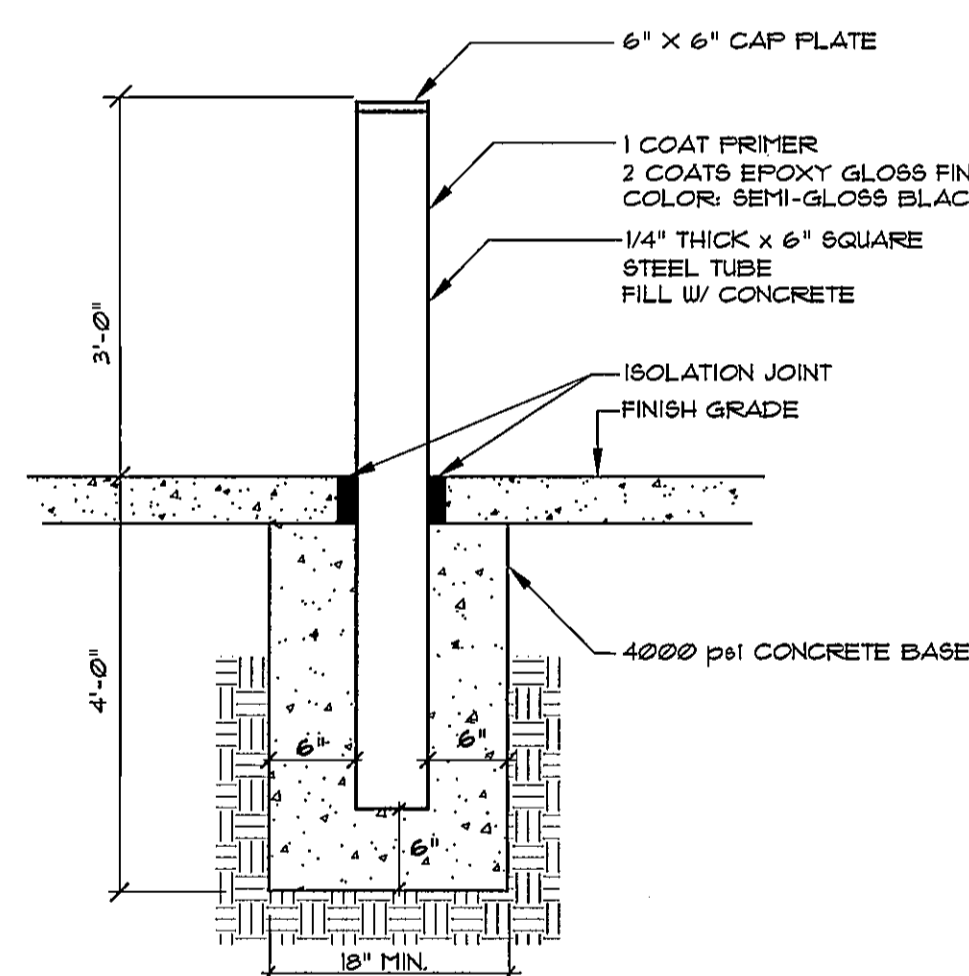
5' GRANULAR BASE @ DOOR THRESHOLD
NOT TO SCALE



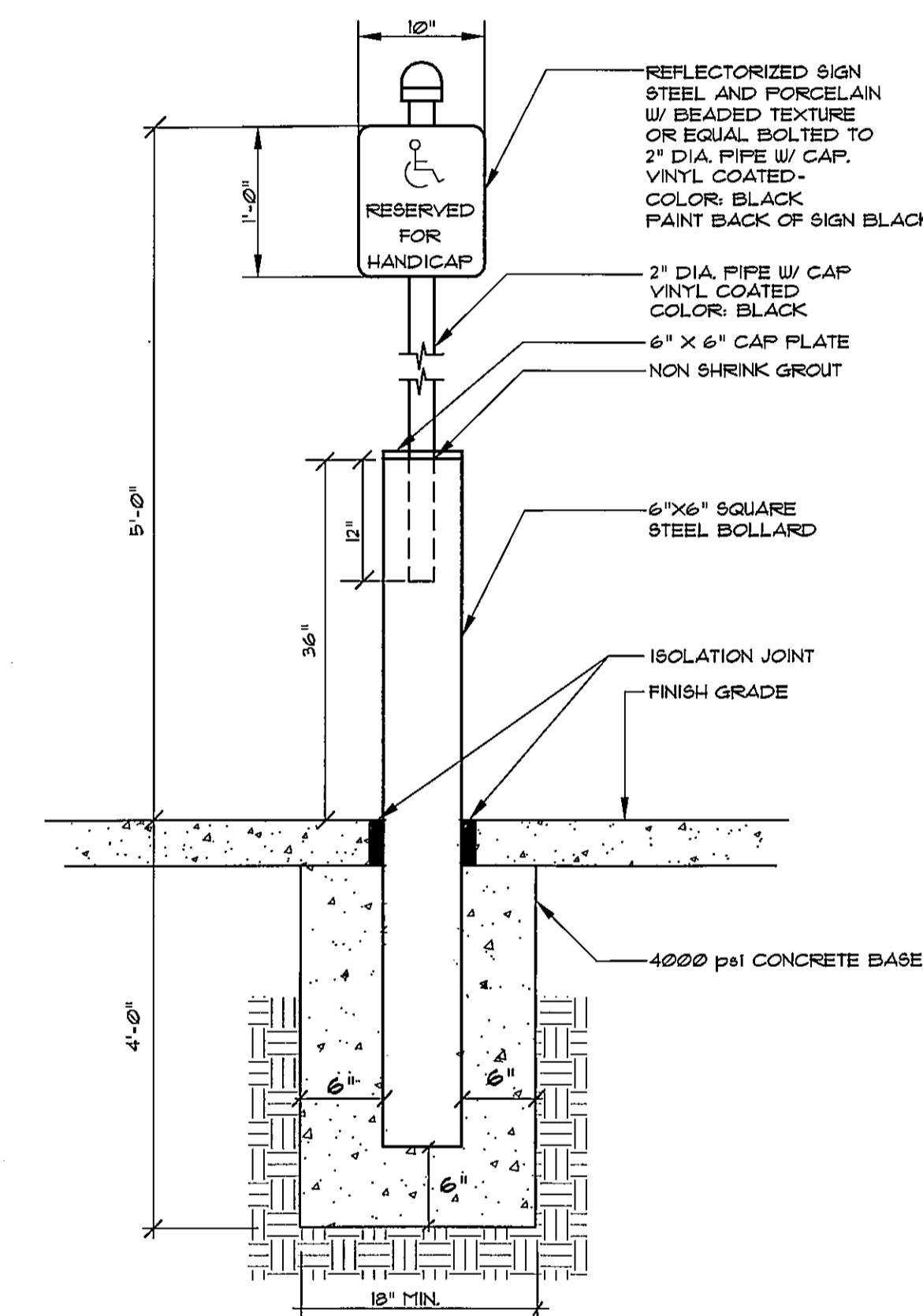
HANDICAP SIGNS AND STRIPING
NOT TO SCALE



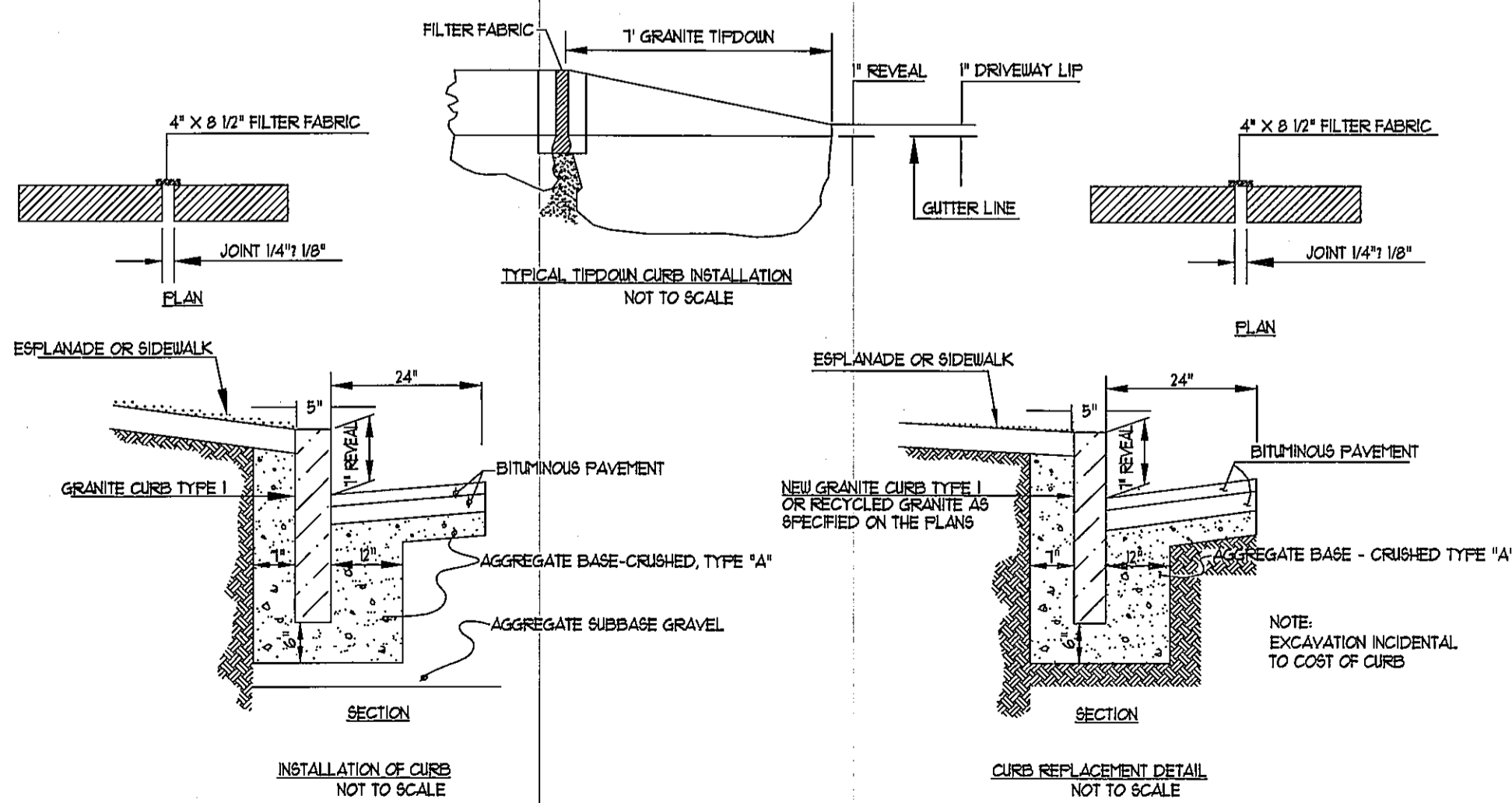
BRICK SIDEWALK DETAIL
NOT TO SCALE



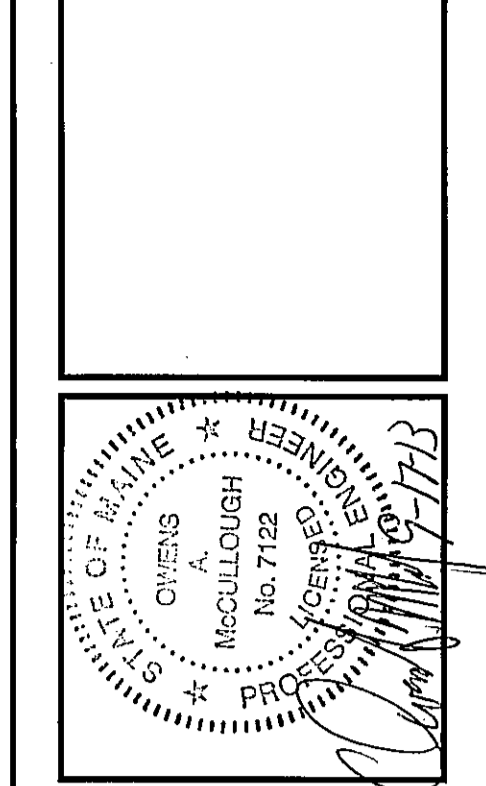
STEEL BOLLARD
NOT TO SCALE



STEEL BOLLARD MOUNTED SIGN
NOT TO SCALE



INSTALLATION OF CURB, TYPE I
NOT TO SCALE



CITY SUBMITTAL 4	05-17-13	WTC
CITY SUBMITTAL 3	03-03-13	WTC
DATE	07-25-13	WTC
STATUS	BY:	BY:

SEBAGO TECHNICALS
WWW.SEBAGOTECHNICALS.COM
15 Lehigh Road, Suite B
South Portland, ME 04106
Tel: 207-202-2100
Tel: 207-783-5656

PROJECT NO. FIELD BOOK DESIGN CHD DRAWN WTC I-MAL
13251

DETAILS
OF:
SEAPORT LOFTS
NEWBURY / HANCOCK STREET
PORTLAND, MAINE
FOR:
113 NEWBURY STREET, LLC
35 FAY STREET, SUITE 107B
BOSTON, MA 02118-4320

DATE: 07-26-13
SCALE: AS SHOWN

SHEET 11 OF 14