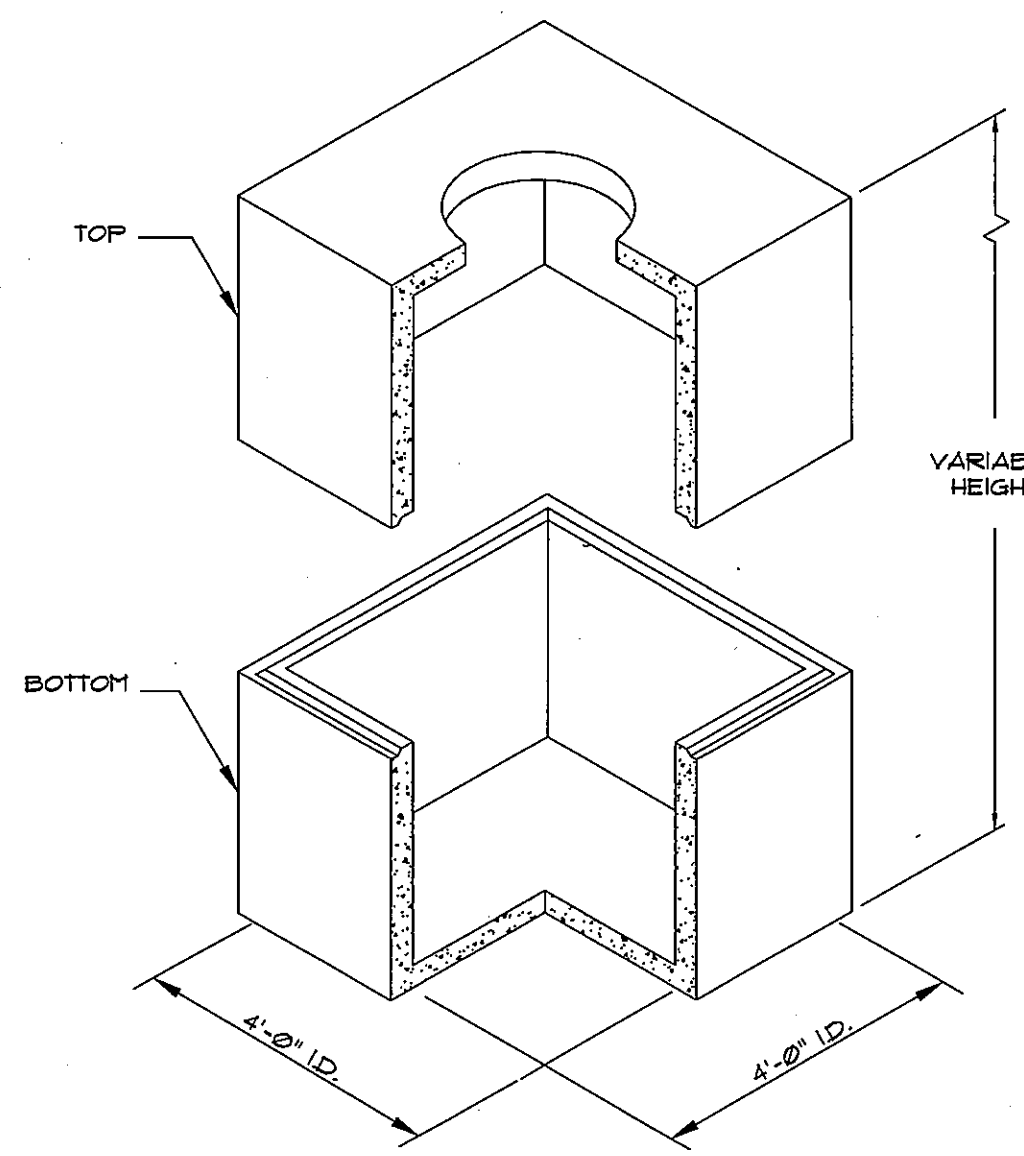
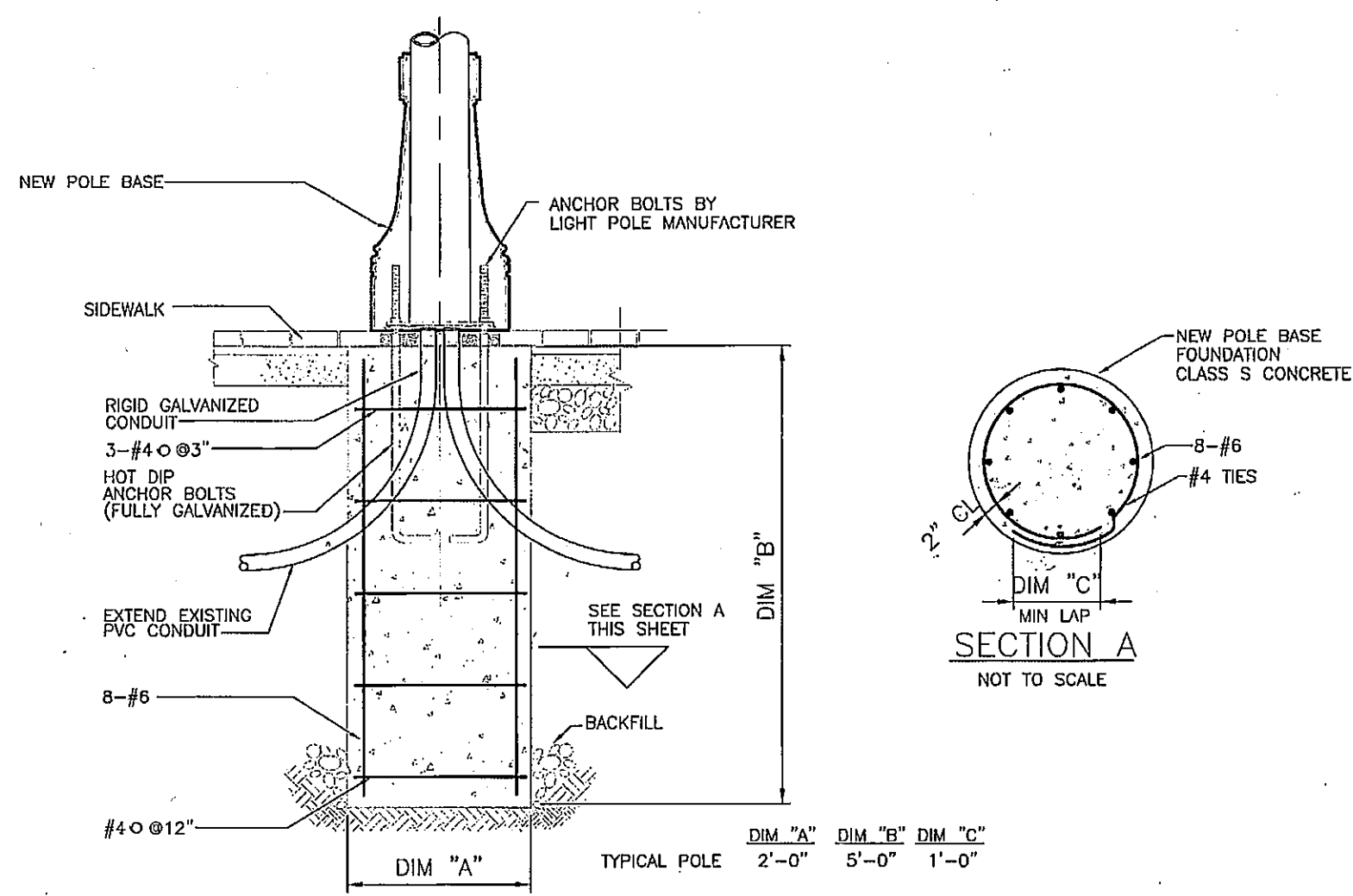


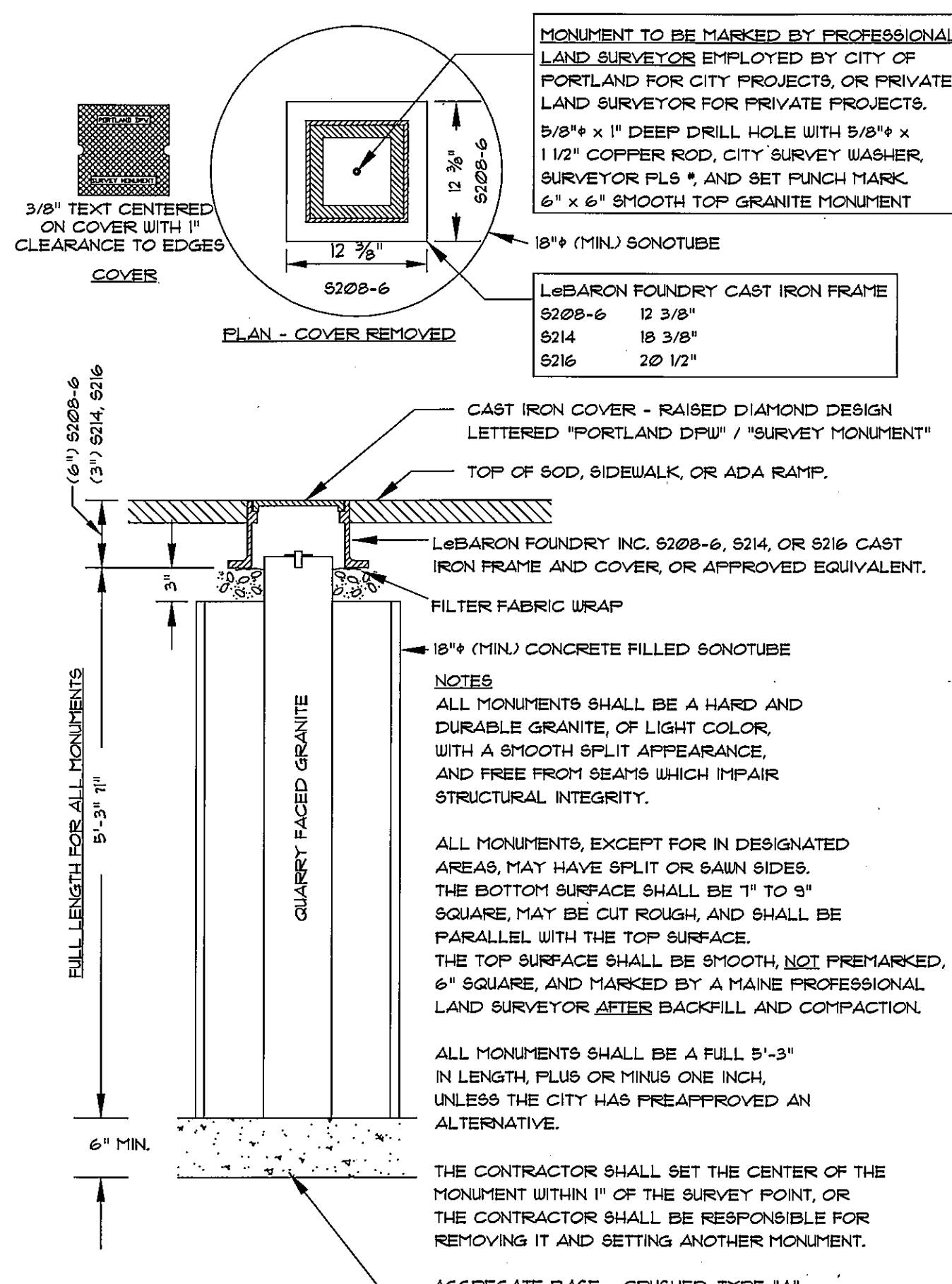
TYPICAL PIPE INSTALLATION DETAIL
NOT TO SCALE



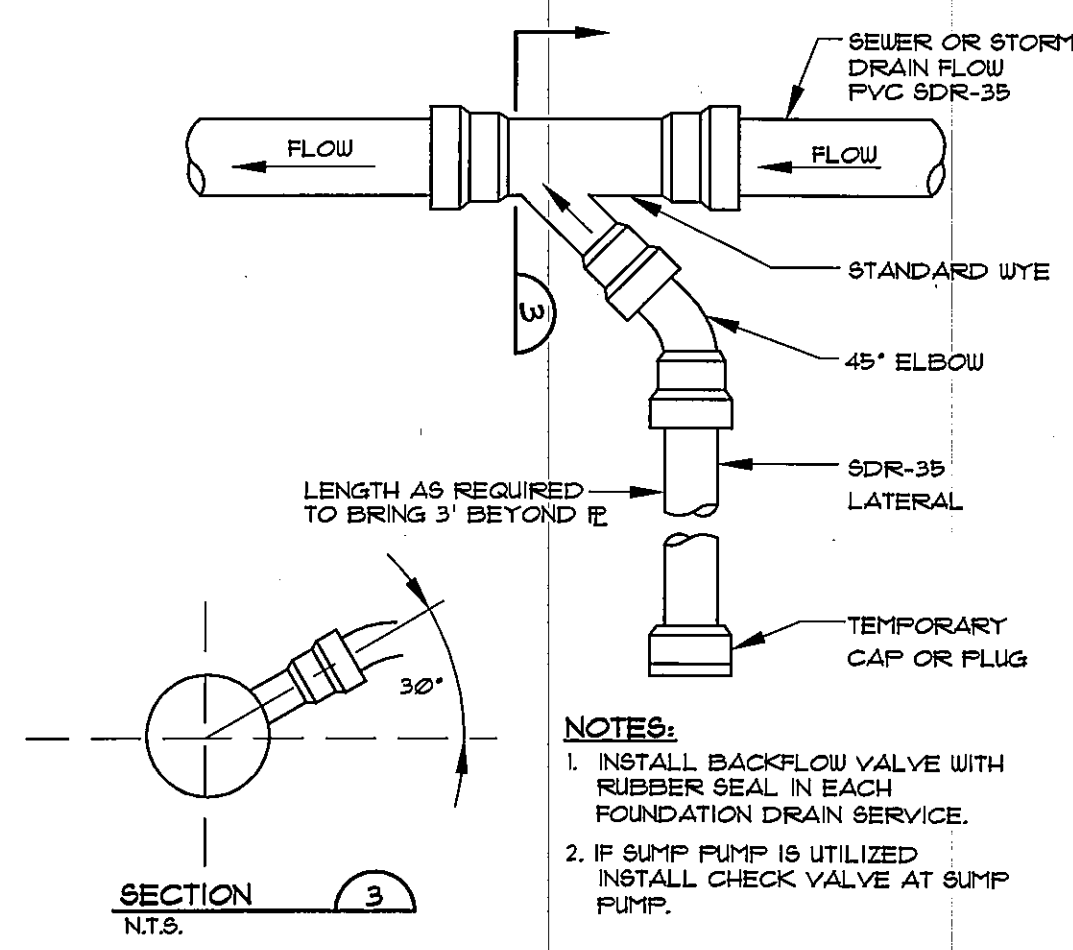
UTILITY MANHOLE
NOT TO SCALE



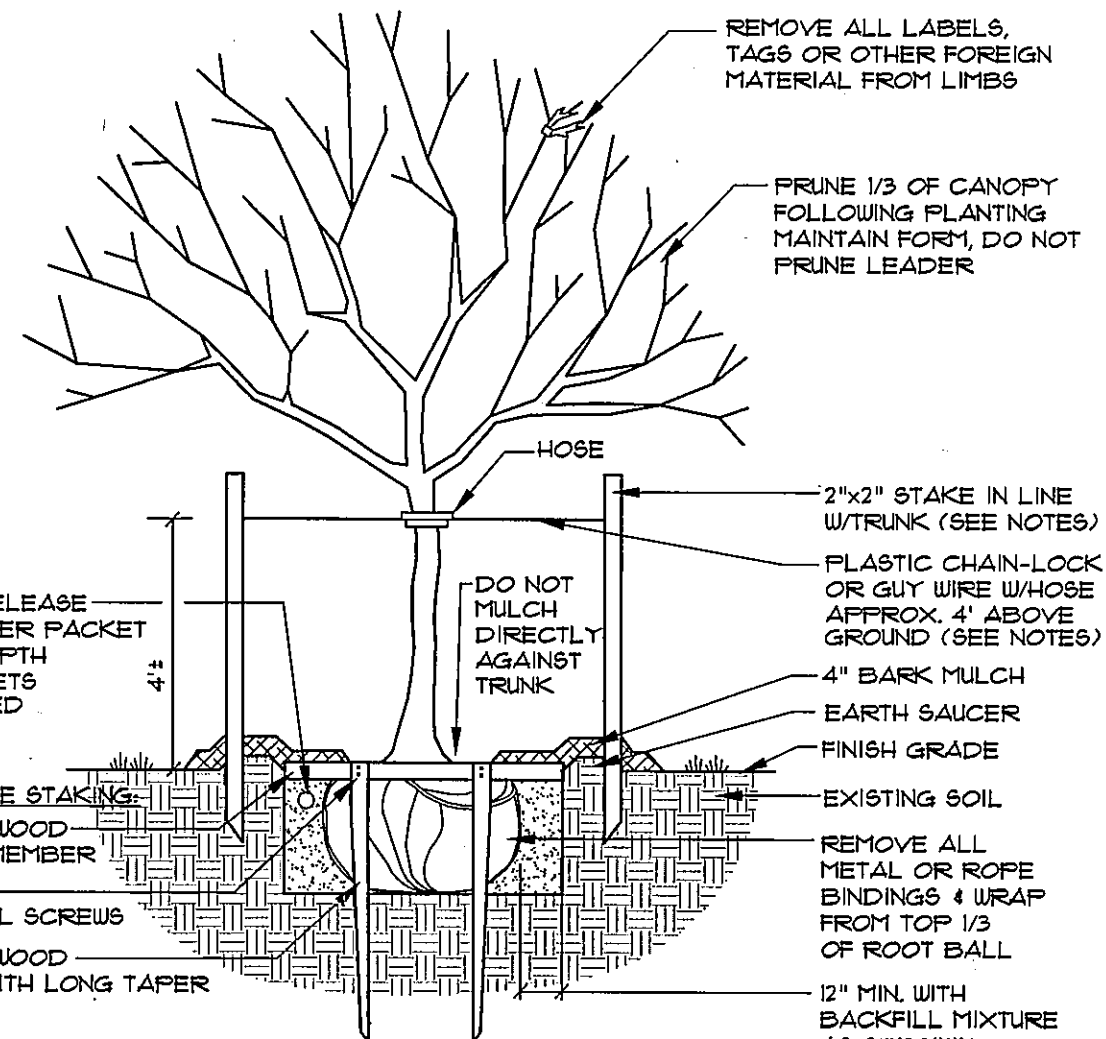
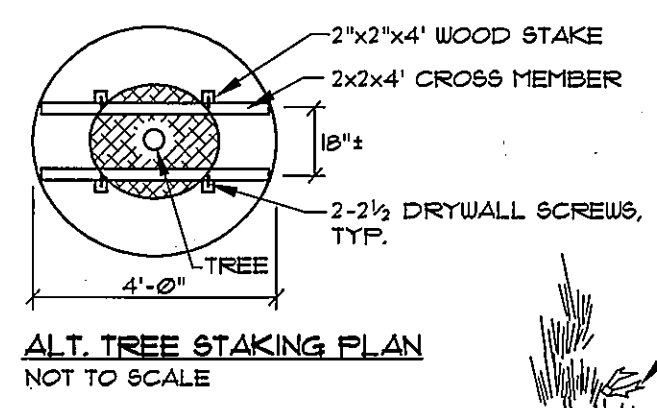
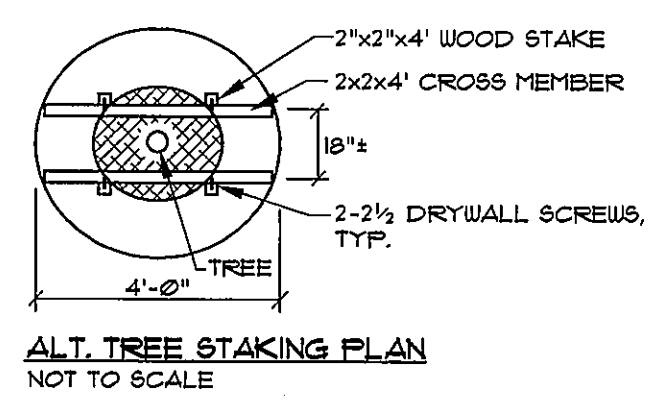
TYPICAL LIGHT POLE BASE
NOT TO SCALE



GRANITE STREET MONUMENT
NOT TO SCALE



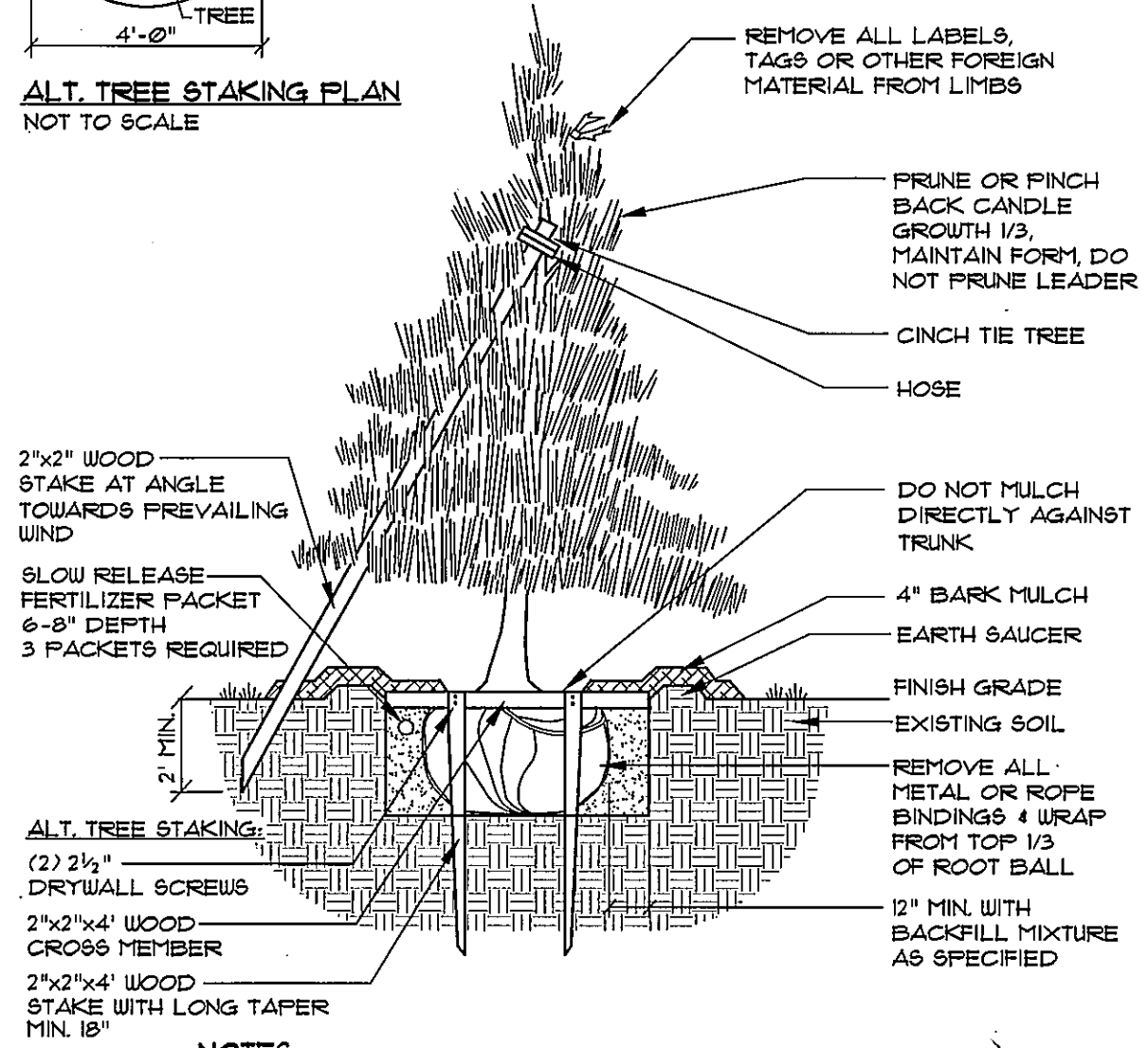
SEWER / FOUNDATION DRAIN SERVICE CONNECTION
NOT TO SCALE



DECIDUOUS TREES 2" TO 4" CALIFER
NOT TO SCALE

NOTES:

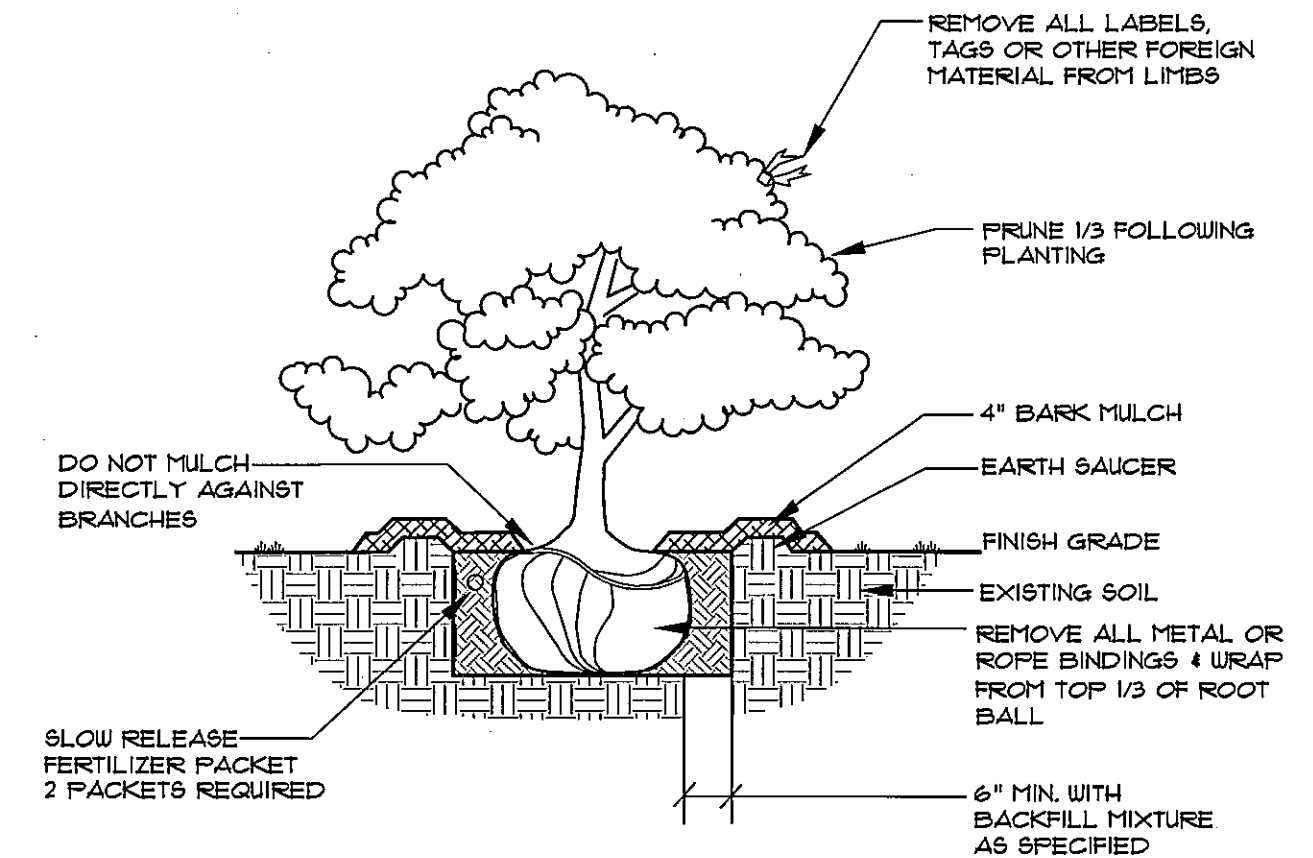
1. INSTALL STAKES AND GUYS TO TREES IF THE FOLLOWING APPLY:
1. THE TREE IS OF SUBSTANTIAL SIZE.
2. THE PLANTING LOCATION IS EXTREMELY WINDY, AS ON OPEN UNDEVELOPED SITES.
3. THE PLANTING LOCATION IS COMPRISED OF SAND OR OTHER LOOSE TEXTURED SOILS.
4. IF STAKES AND GUYS ARE REQUIRED, REMOVE AFTER ONE YEAR TIME.



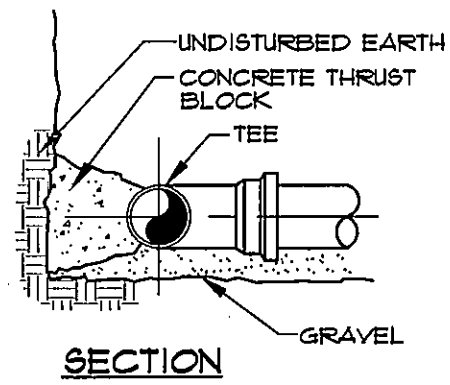
DECIDUOUS TREES UNDER 2" CALIFER OR UNDER 8' IN HEIGHT
EVERGREEN TREES T-8" IN HEIGHT & UNDER
NOT TO SCALE

NOTES:

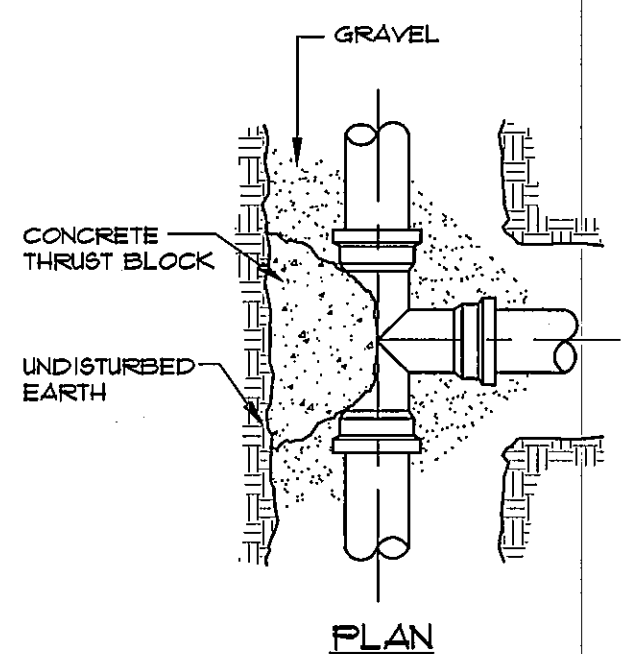
1. INSTALL STAKES AND GUYS TO TREES IF THE FOLLOWING APPLY:
1. THE TREE IS OF SUBSTANTIAL SIZE.
2. THE PLANTING LOCATION IS EXTREMELY WINDY, AS ON OPEN UNDEVELOPED SITES.
3. THE PLANTING LOCATION IS COMPRISED OF SAND OR OTHER LOOSE TEXTURED SOILS.
4. IF STAKES AND GUYS ARE REQUIRED, REMOVE AFTER ONE YEAR TIME.



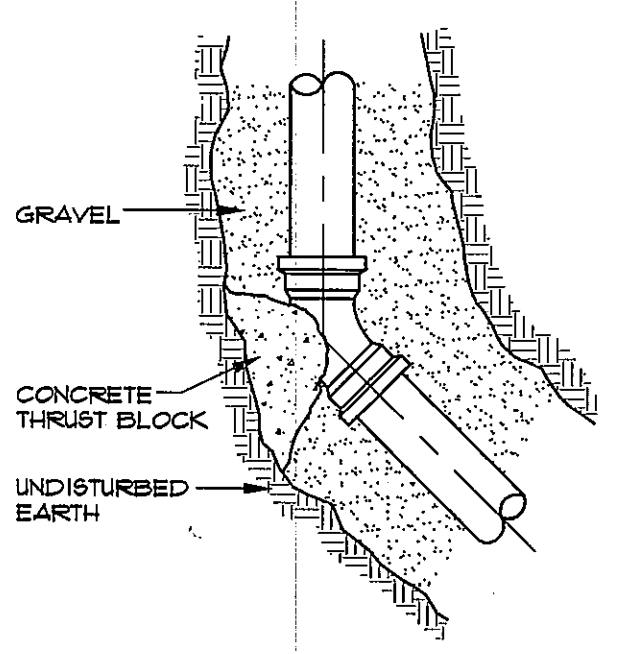
DECIDUOUS & EVERGREEN SHRUB
NOT TO SCALE



FITTINGS	CONCRETE THRUST BLOCK SIZE REQUIREMENTS		
	90° BENDS	45° BENDS	TEES AND PLUGS
PIPE SIZE	4.0	2.0	3.0
6"	8.0	4.0	6.0
8"	15	10	10



TEE AND BEND DETAIL
NOT TO SCALE



SEBAGO TECHNICAL SERVICES

WWW.SEBAGOTECHNICALSERVICES.COM

75 John Paul Street, Suite B
South Portland, ME 04106
Tel: 207-783-9585

PROJECT NO. | FIELD BOOK | DESIGN | CHKD | DRAWN | MAL

REV: | DATE: | STATUS: | SUBMIT SITE PLAN APPLICATION TO CITY

A | WTC | 07-28-13 | BY: | DATE: | STATUS: | SUBMIT SITE PLAN APPLICATION TO CITY

DETAILS

OF: **THE BAY HOUSE, PHASE II**
NEWBURY / HANCOCK STREET
PORTLAND, MAINE

FOR: **113 NEWBURY STREET, LLC**
35 FAX STREET, SUITE 107B
BOSTON, MA 02118-4320

DATE: 07-28-13 | SCALE: AS SHOWN