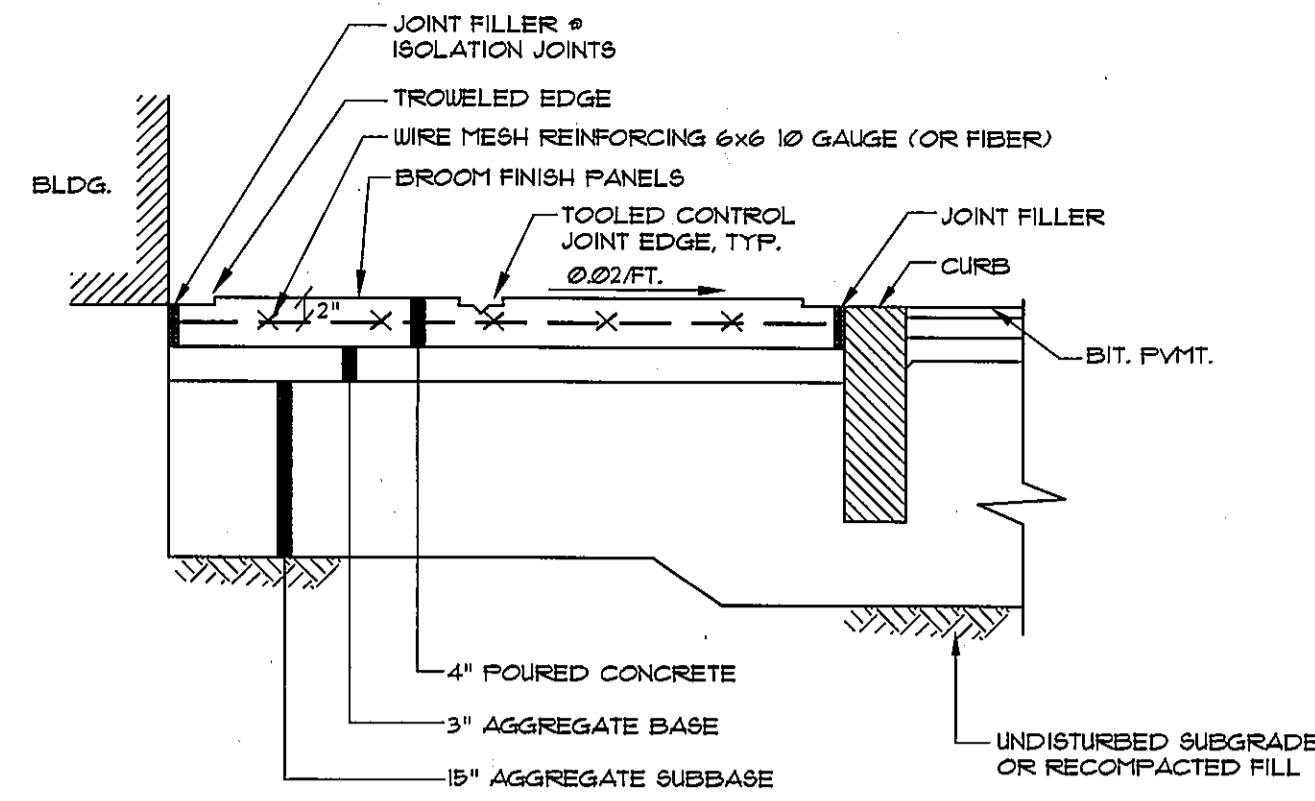


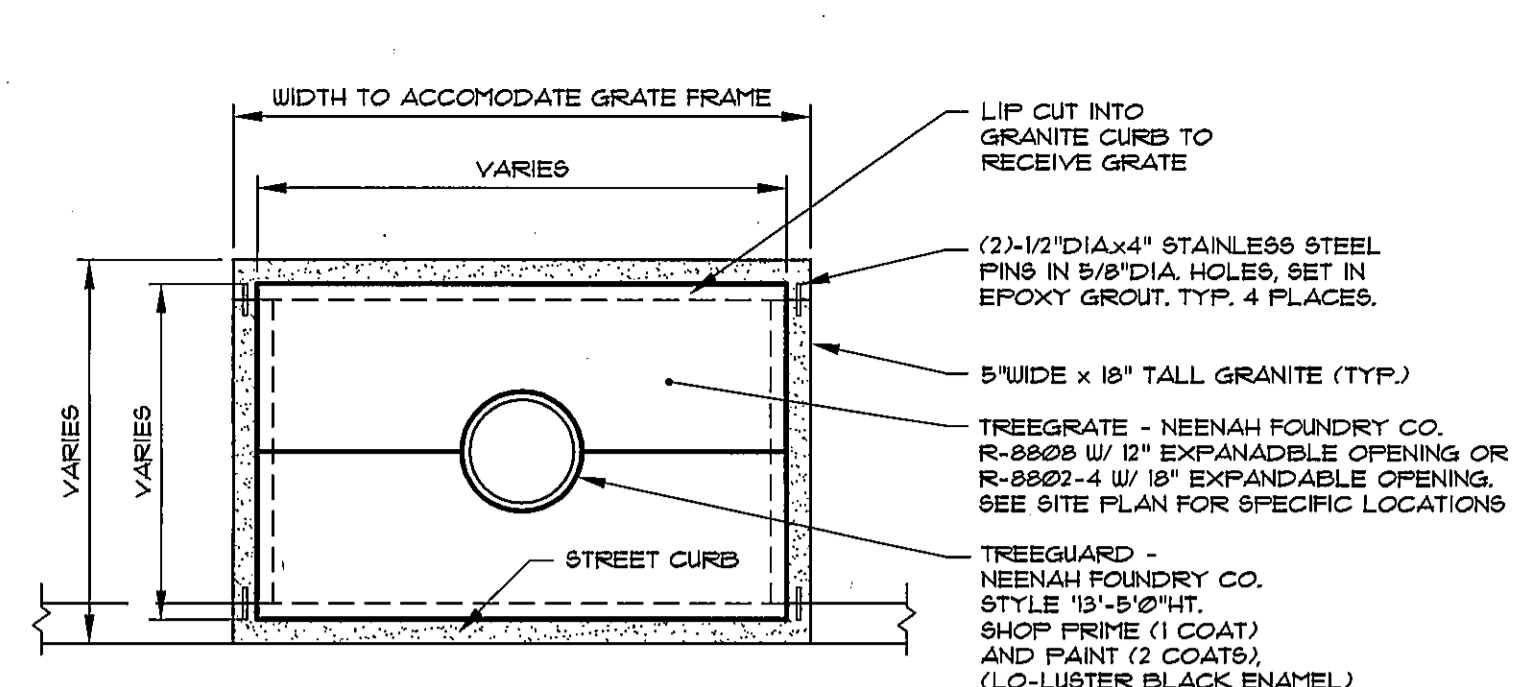
**NOTES:**  
 1. COMPACT GRAVEL SUBBASE, BASE COURSE TO 92% OF MAXIMUM DENSITY USING HEAVY ROLLER COMPACTION.  
 2. CONTRACTOR SHALL SET GRADE STAKES MARKING SUBBASE AND FINISH GRADE ELEVATIONS FOR CONSTRUCTION REFERENCE.

**TYP. PAVED DRIVEWAY SECTION**  
 NOT TO SCALE

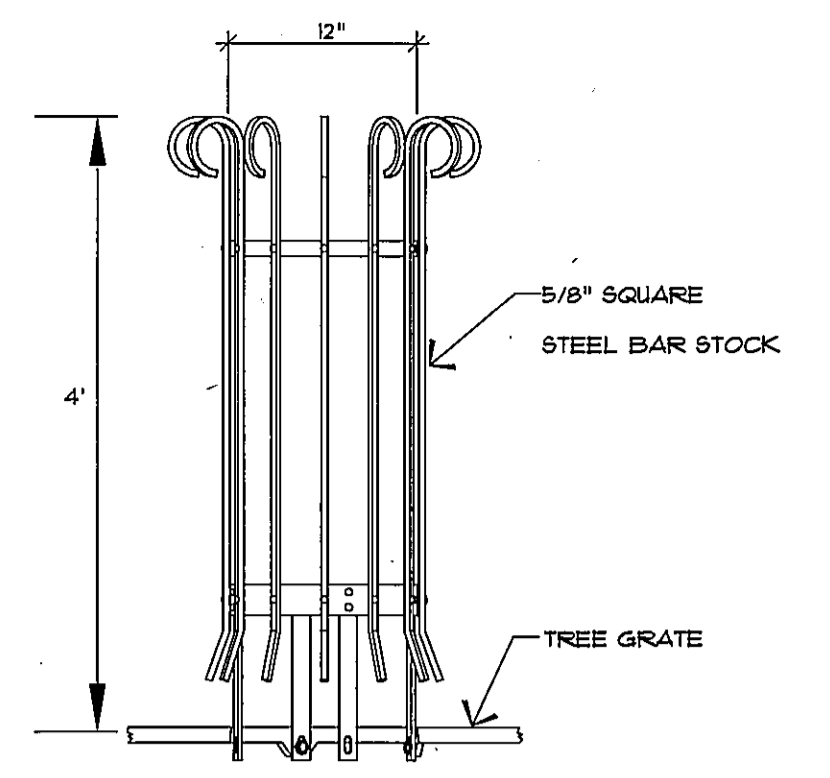


NOTE: INSTALL 4.5" DEEP SELECT FILL BELOW ENTRANCE SIDEWALKS AT BUILDING (OR TO DEPTH OF SOUND, INTACT BEDROCK).

**CONCRETE PAVING**  
 NOT TO SCALE

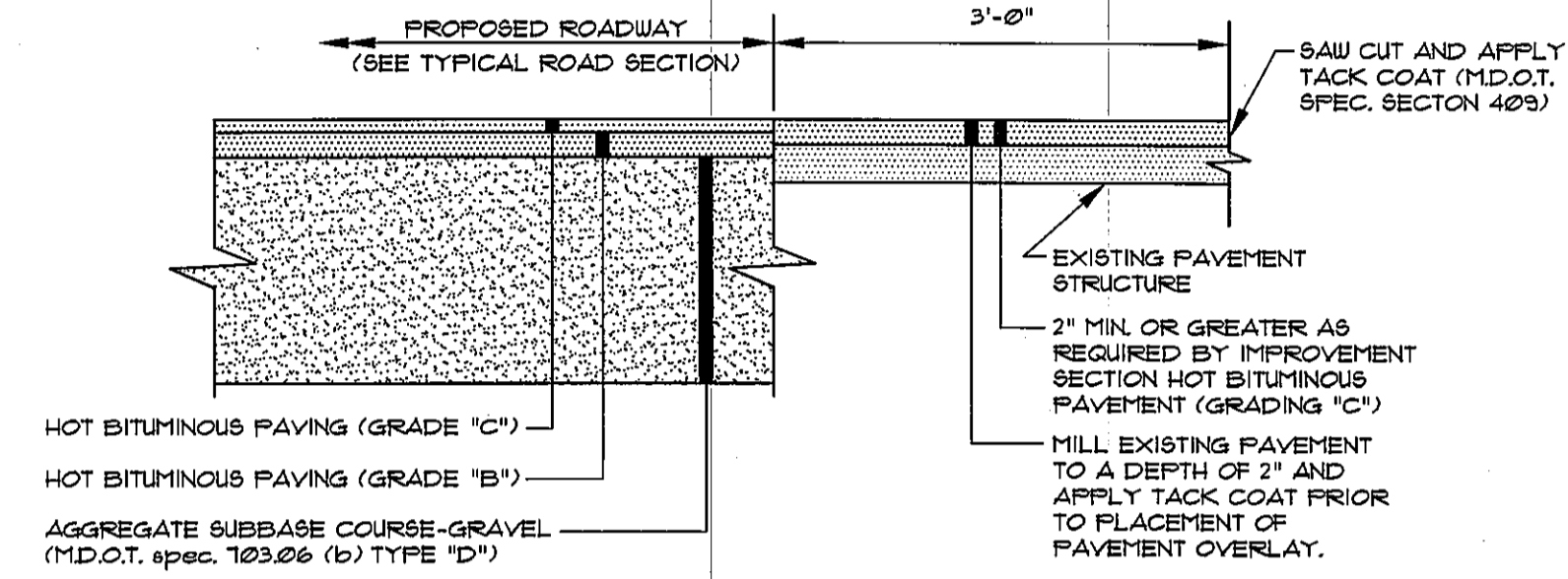


**TREE GRATE DETAIL**  
 NOT TO SCALE

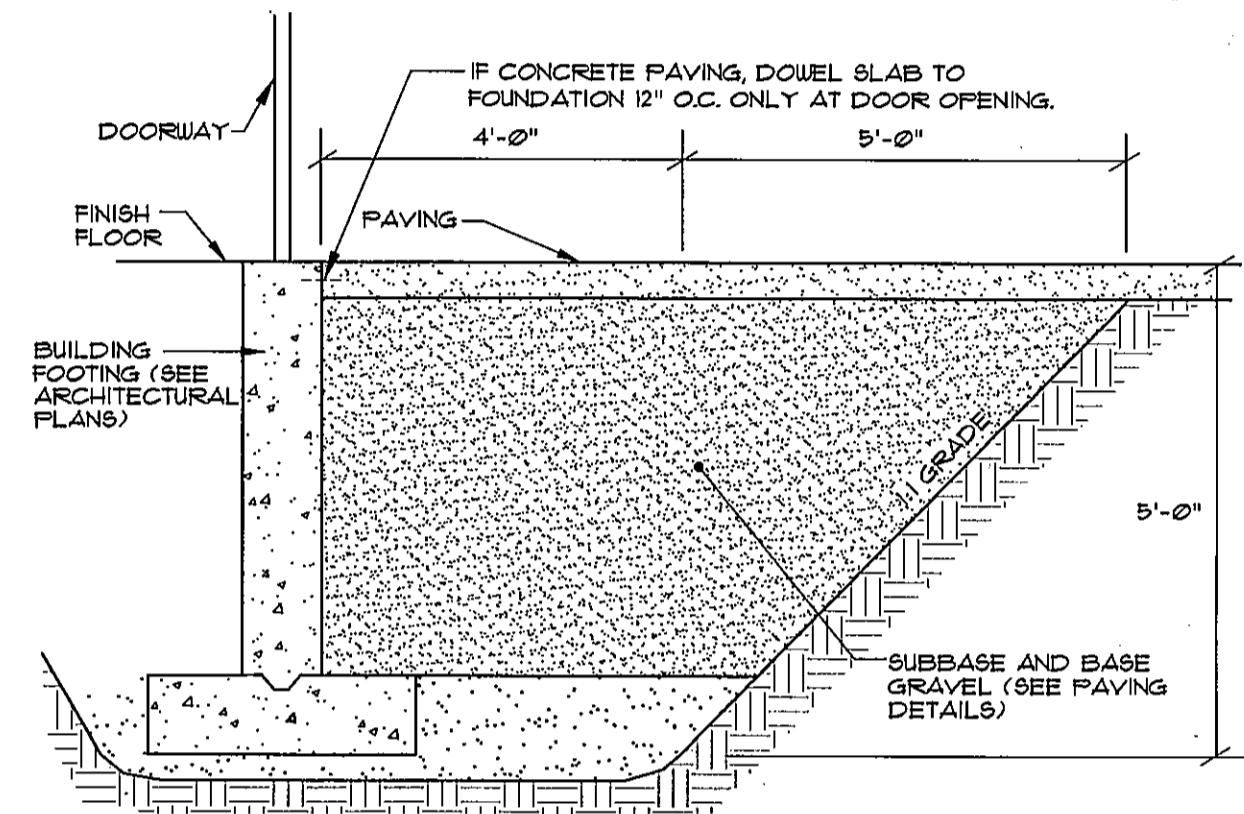


MATERIAL: ALL HOT ROLLED MILD STEEL  
 FINISH: PAINTED WITH ONE COAT L-O-LUSTRE BLACK ENAMEL  
 Neenah Foundry Co. (info.com), Item: Type A, L4, 12" opening.

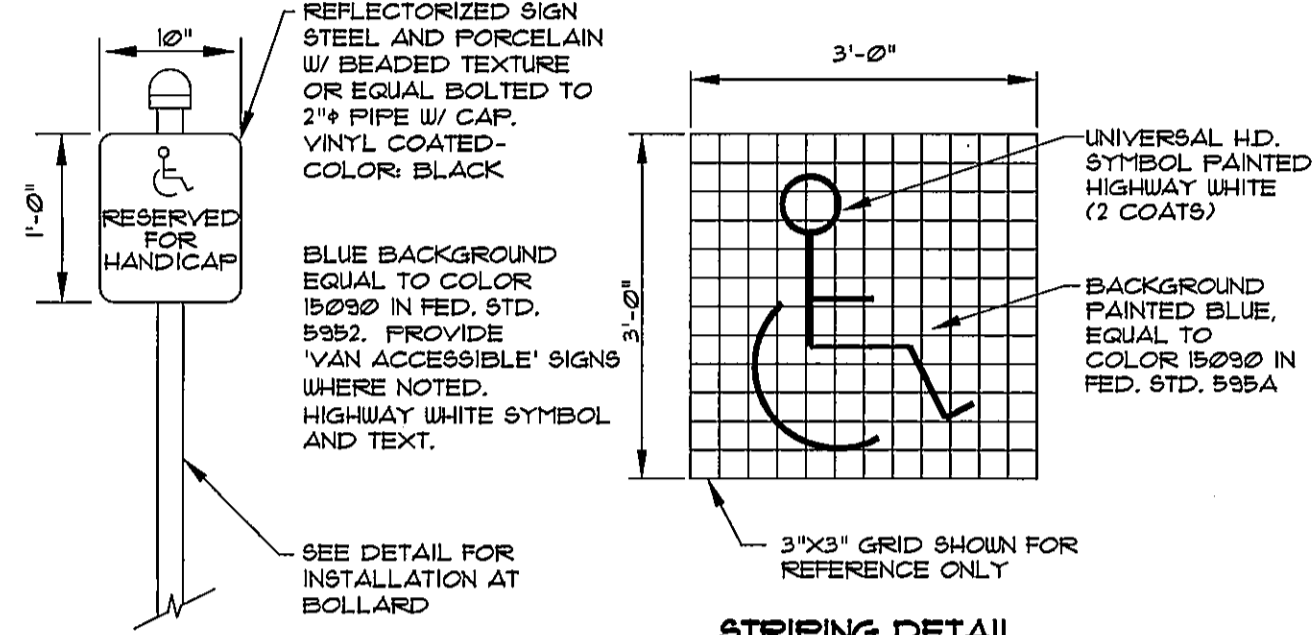
**TYPICAL TREE GUARD**  
 NOT TO SCALE



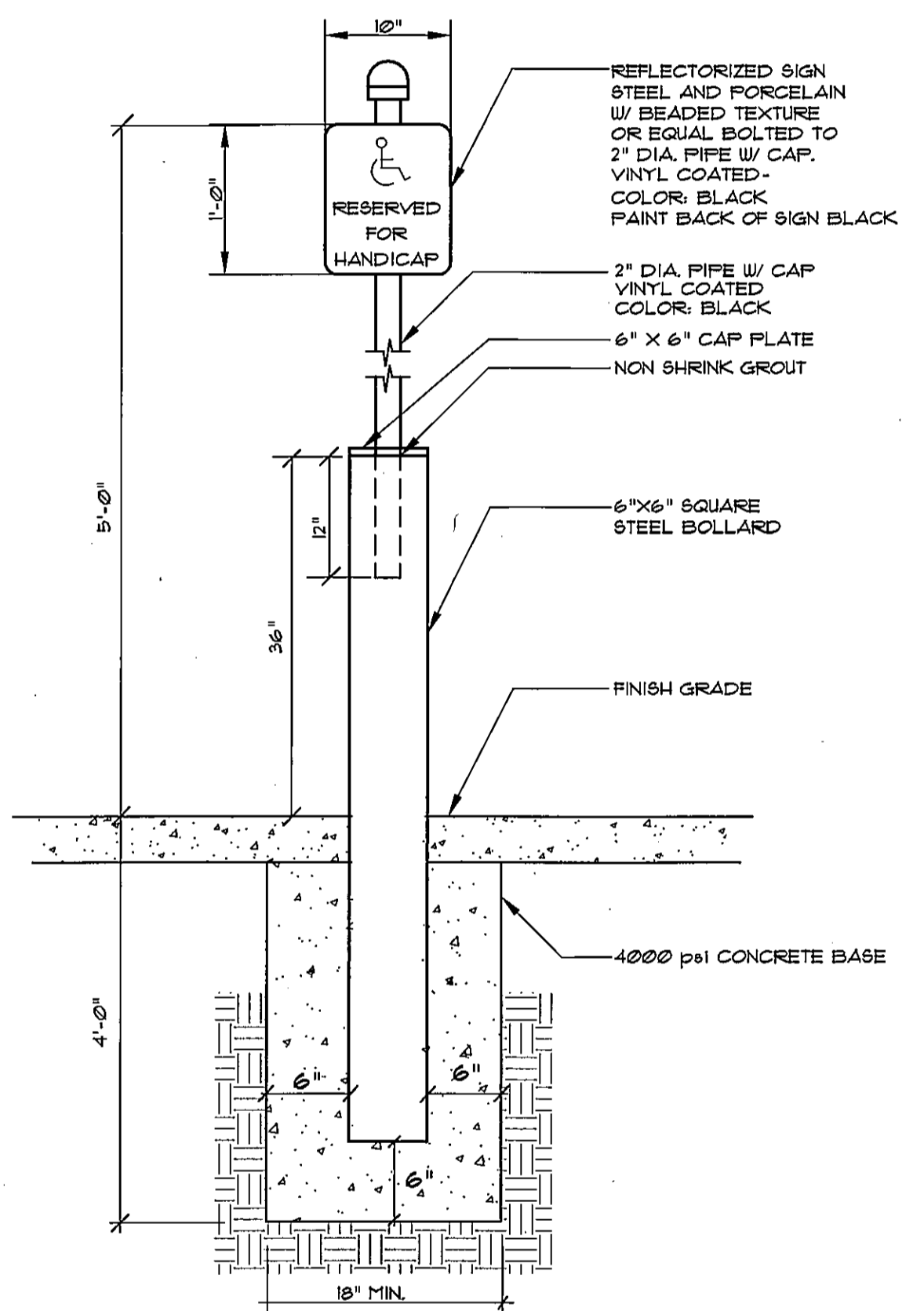
**PAVEMENT SAW CUT DETAIL**  
 NOT TO SCALE



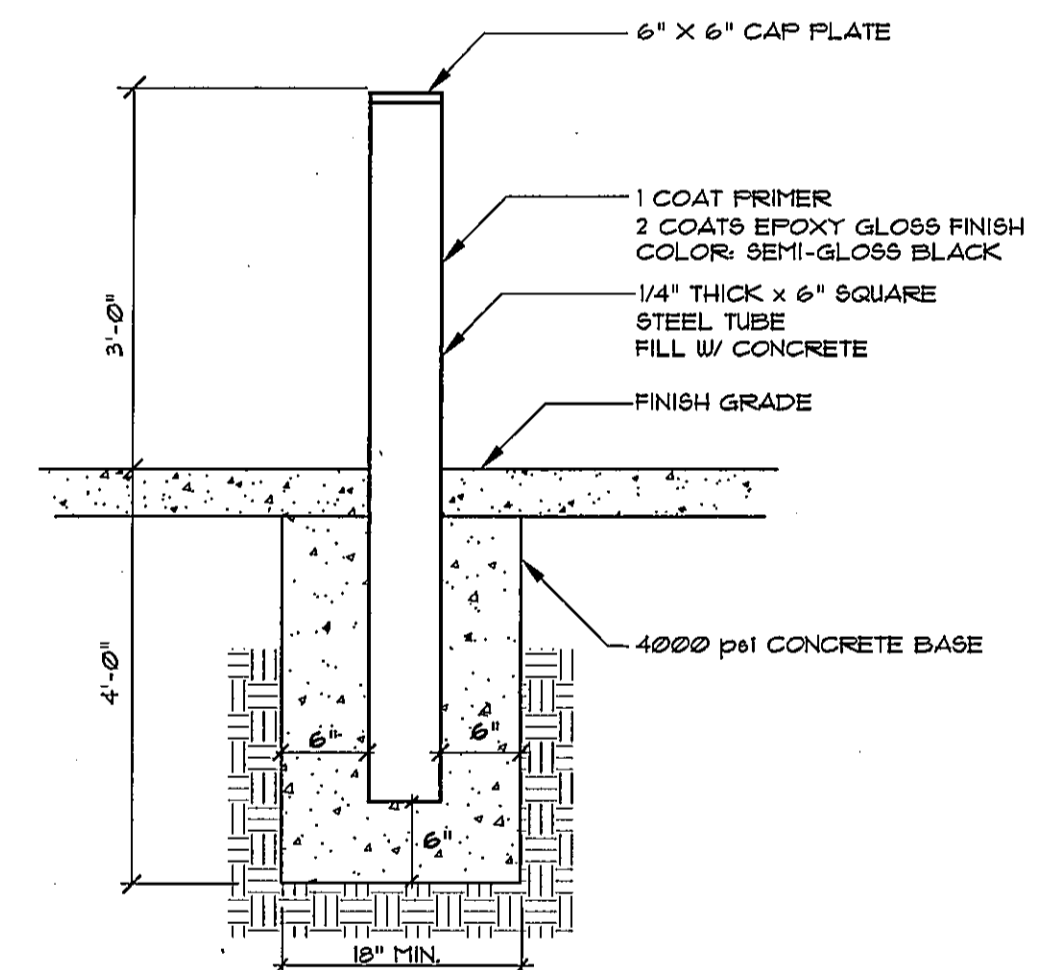
**5' GRANULAR BASE @ DOOR THRESHOLD**  
 NOT TO SCALE



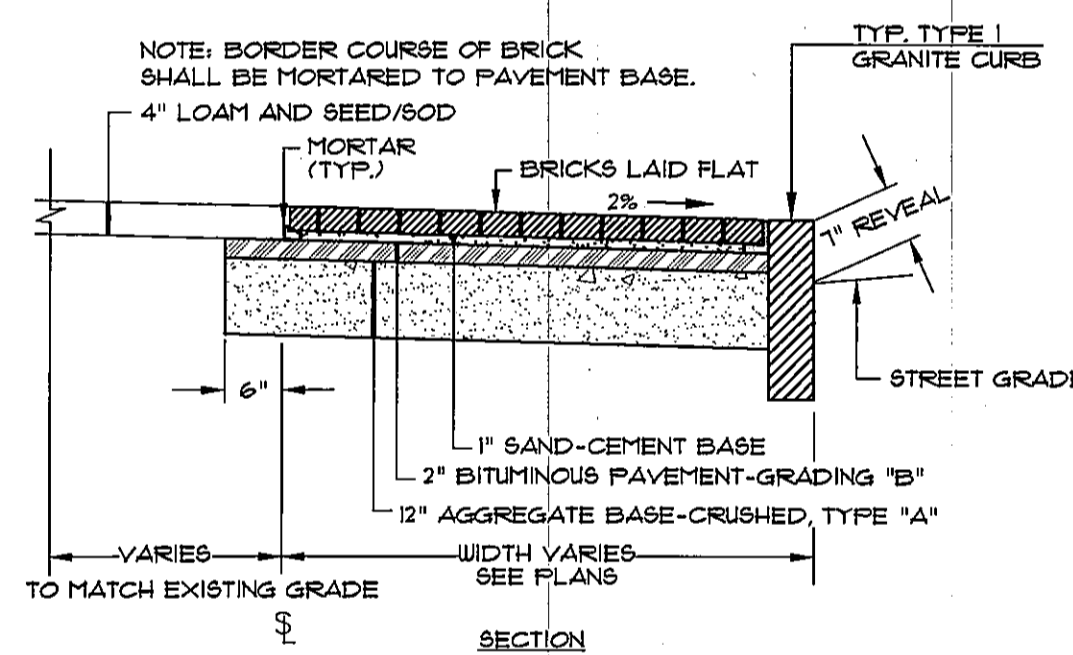
**HANDICAP SIGNS AND STRIPING**  
 NOT TO SCALE



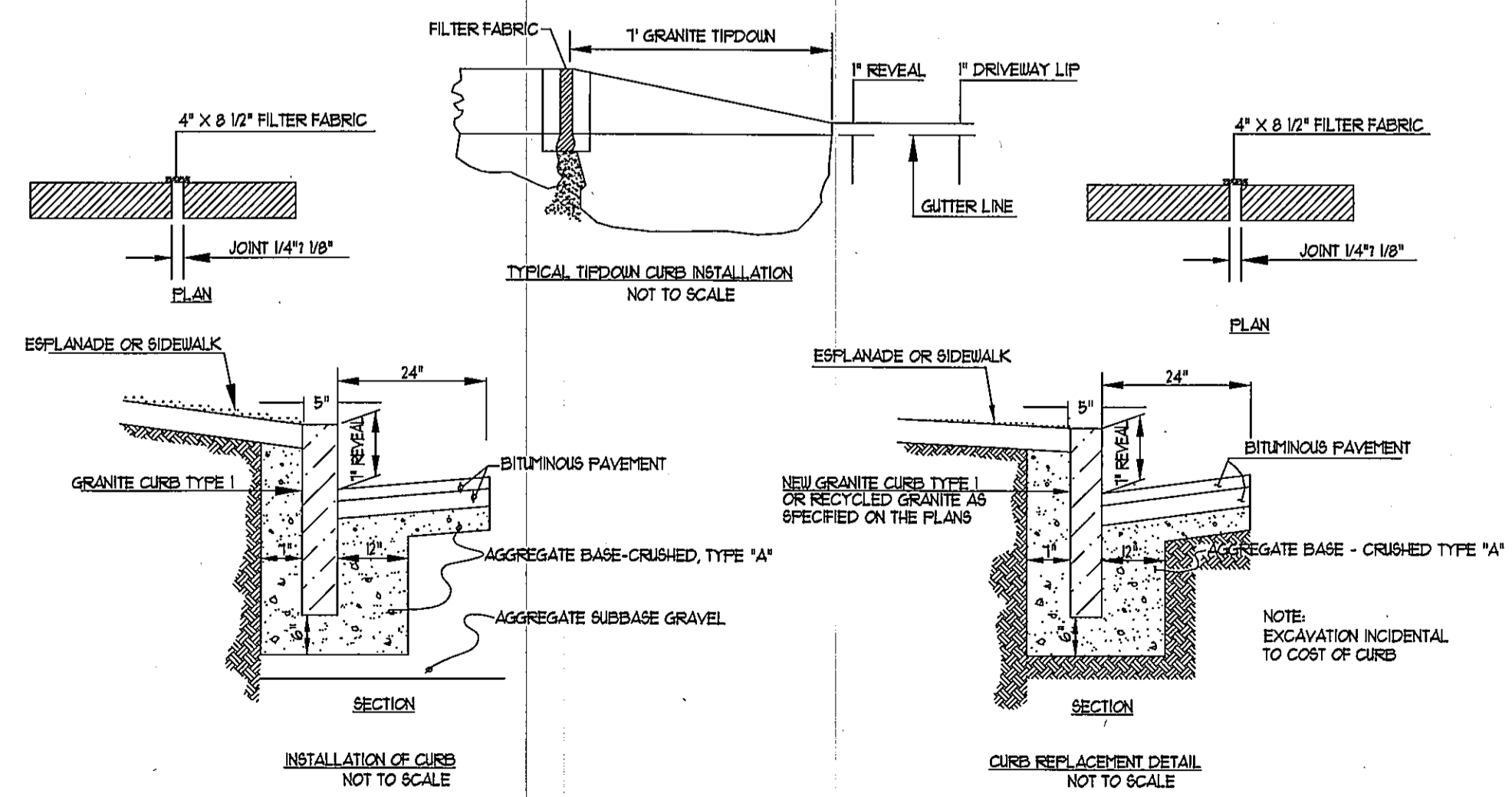
**STEEL BOLLARD MOUNTED SIGN**  
 NOT TO SCALE



**STEEL BOLLARD**  
 NOT TO SCALE



**BRICK SIDEWALK DETAIL**  
 NOT TO SCALE



**INSTALLATION OF CURB, TYPE I**  
 NOT TO SCALE

DATE		SCALE	
07-26-13		AS SHOWN	
SHEET 10 OF 12			

DATE	07-26-13	STATUS	APPROVAL
BY	WTC	DATE	07-26-13
REV	A	DATE	07-26-13

SEBAGO TECHNICALS  
 75 JOHN ROBERTSON BLVD., SUITE B  
 PORTLAND, ME 04108  
 TEL: 207-206-2100

PROJECT NO. 13251  
 FIELD BOOK DESIGN CHKD DRAWN MAL  
 WTC WTC WTC

DETAILS OF: THE BAY HOUSE, PHASE II  
 NEWBURY/HANCOCK STREET  
 PORTLAND, MAINE  
 FOR: 113 NEWBURY STREET, LLC  
 35 FAY STREET, SUITE 407B  
 BOSTON, MA 02116-4320