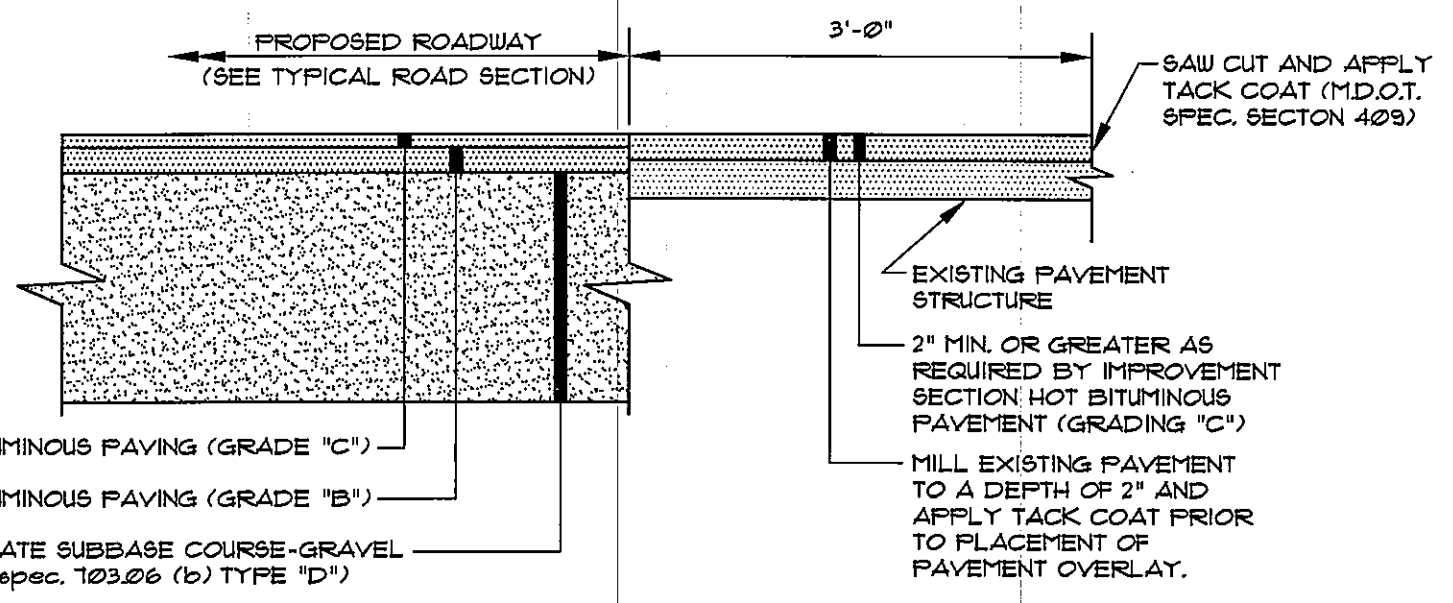
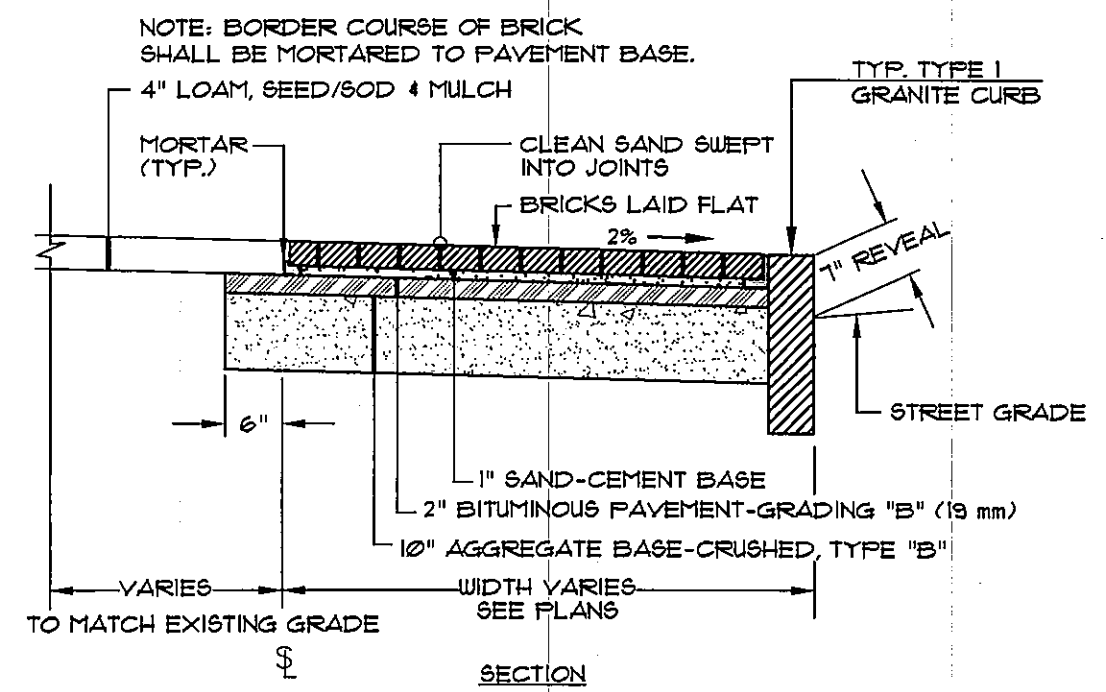


- NOTES:**
1. COMPACT GRAVEL SUBBASE, BASE COURSE TO 92% OF MAXIMUM DENSITY USING HEAVY ROLLER COMPACTION.
 2. CONTRACTOR SHALL SET GRADE STAKES MARKING SUBBASE AND FINISH GRADE ELEVATIONS FOR CONSTRUCTION REFERENCE.

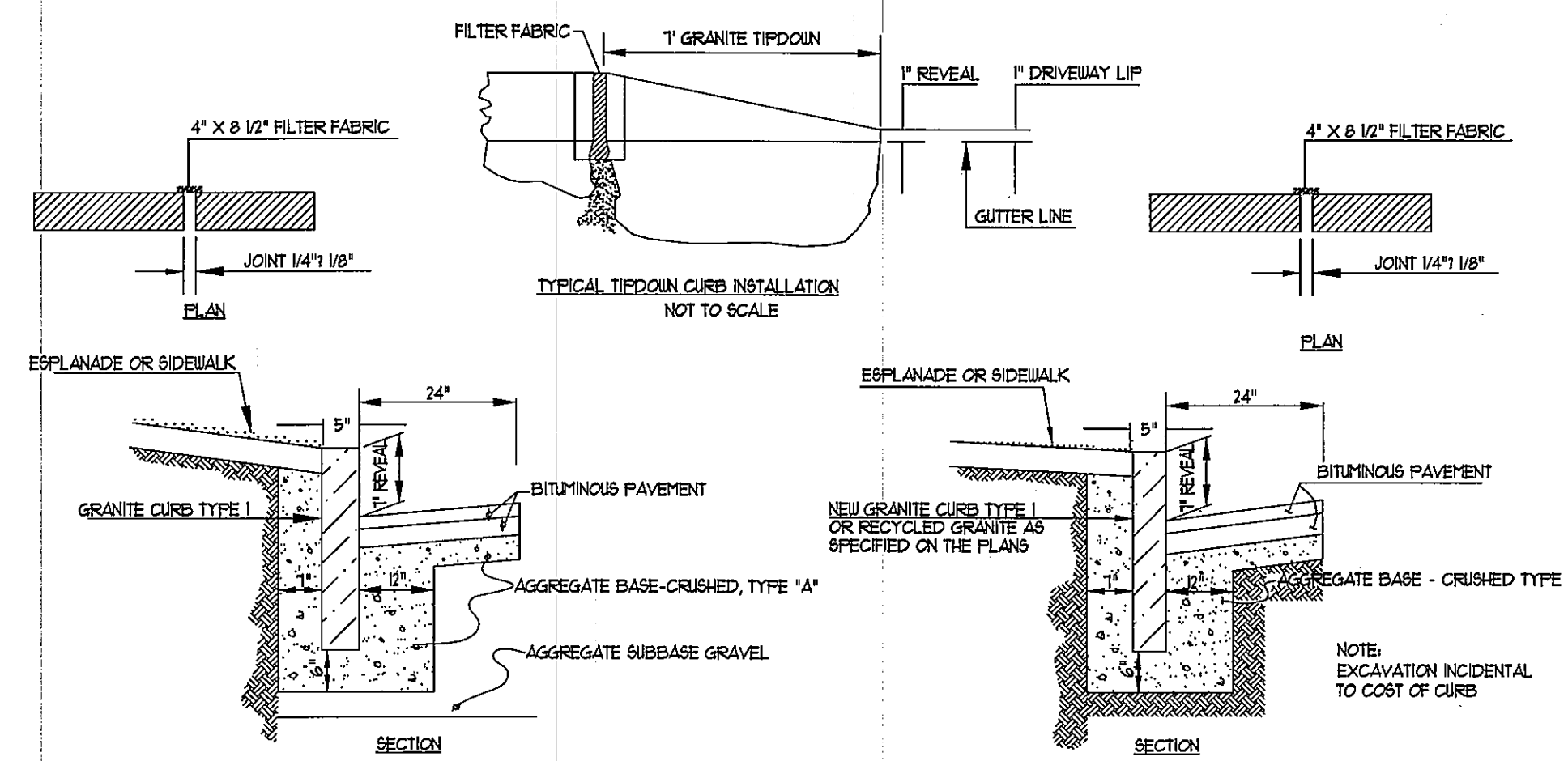
TYP. PAVED DRIVEWAY SECTION
NOT TO SCALE



PAVEMENT SAW CUT DETAIL
NOT TO SCALE

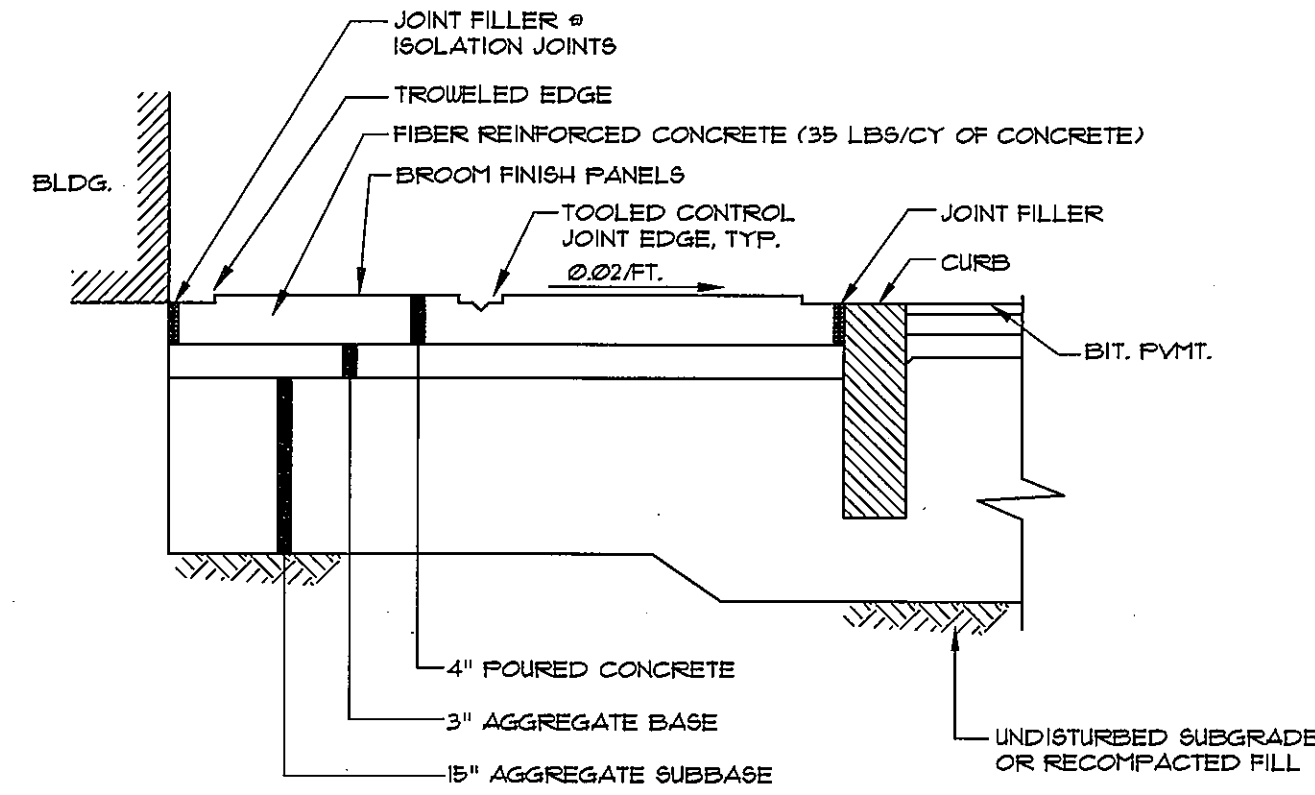


BRICK SIDEWALK DETAIL
NOT TO SCALE



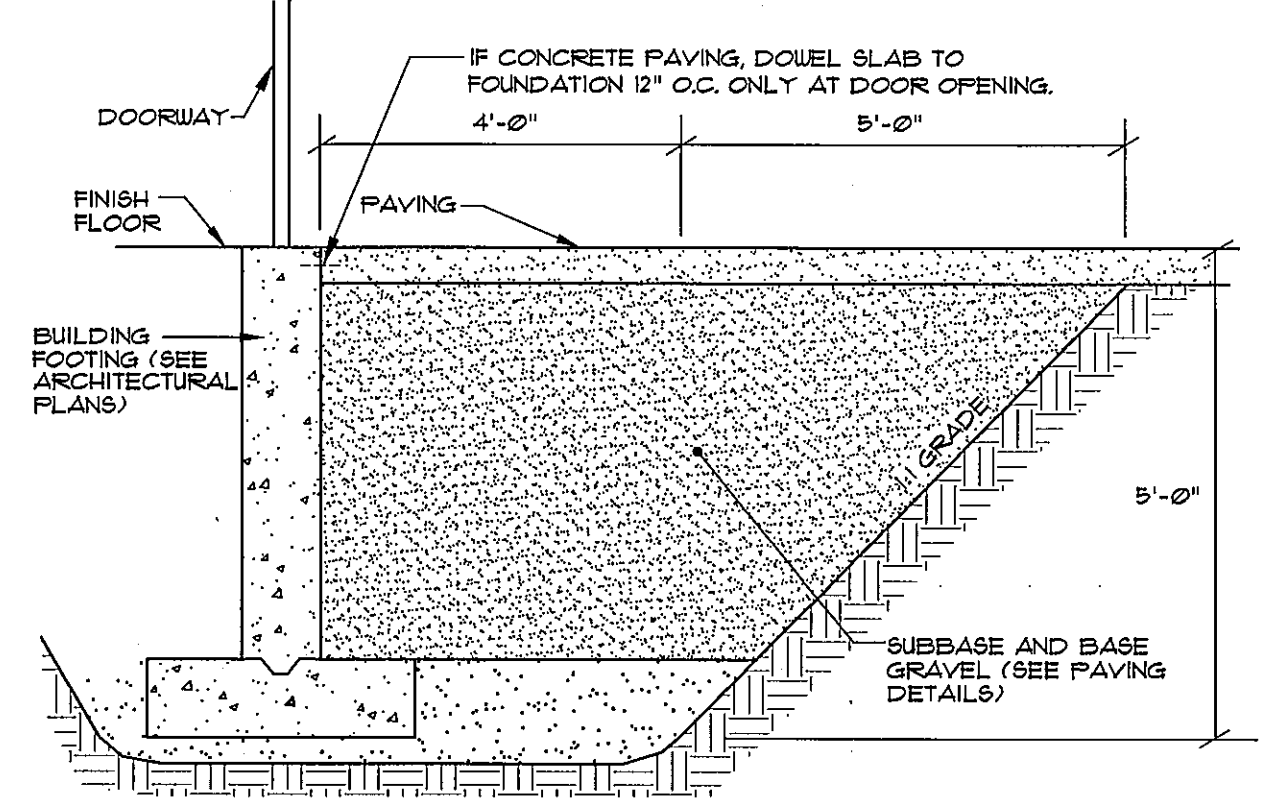
INSTALLATION OF CURB, TYPE I
NOT TO SCALE

NOTE: NO GRANITE CURB SECTIONS SHALL BE INSTALLED LESS THAN 4 FT. IN LENGTH.

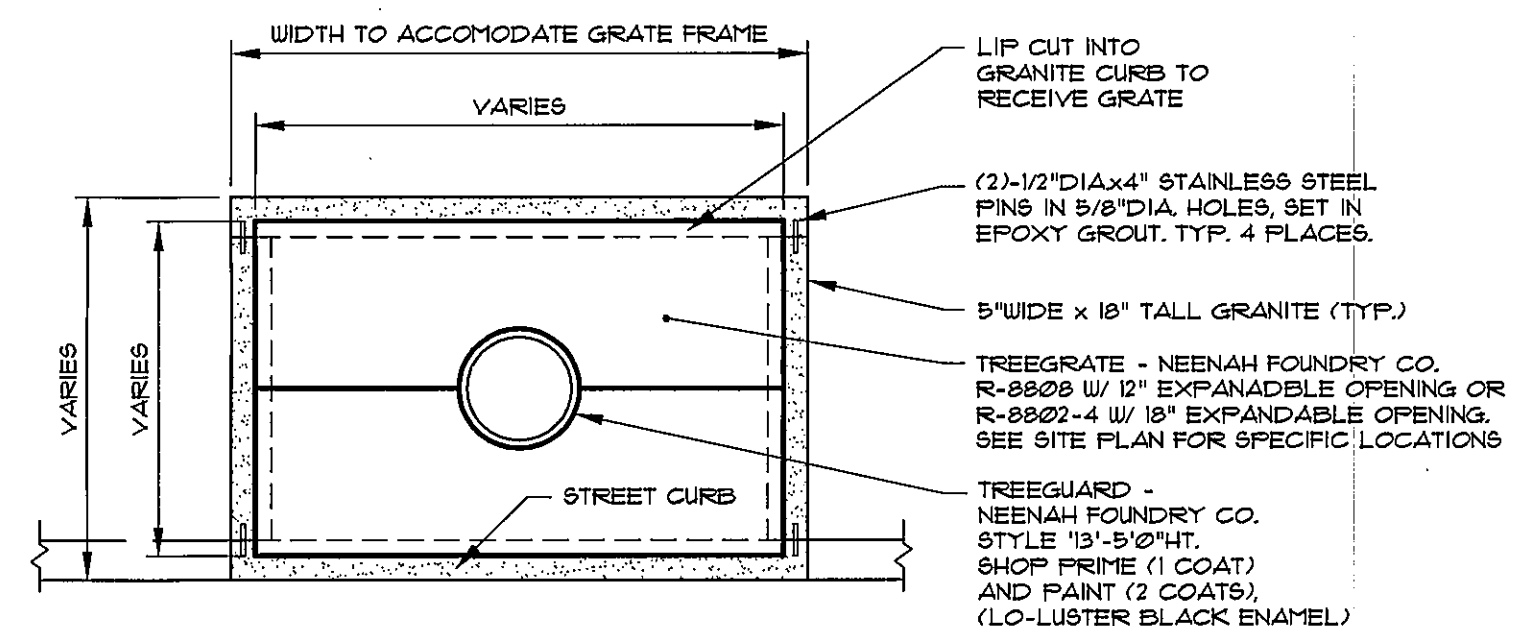


- NOTE:**
1. INSTALL 45\"/>
 2. CONCRETE SHALL HAVE AN $F_c=4500$ PSI AND SHALL RECEIVE 2 COATS OF WATER PENETRATING SEALANT.

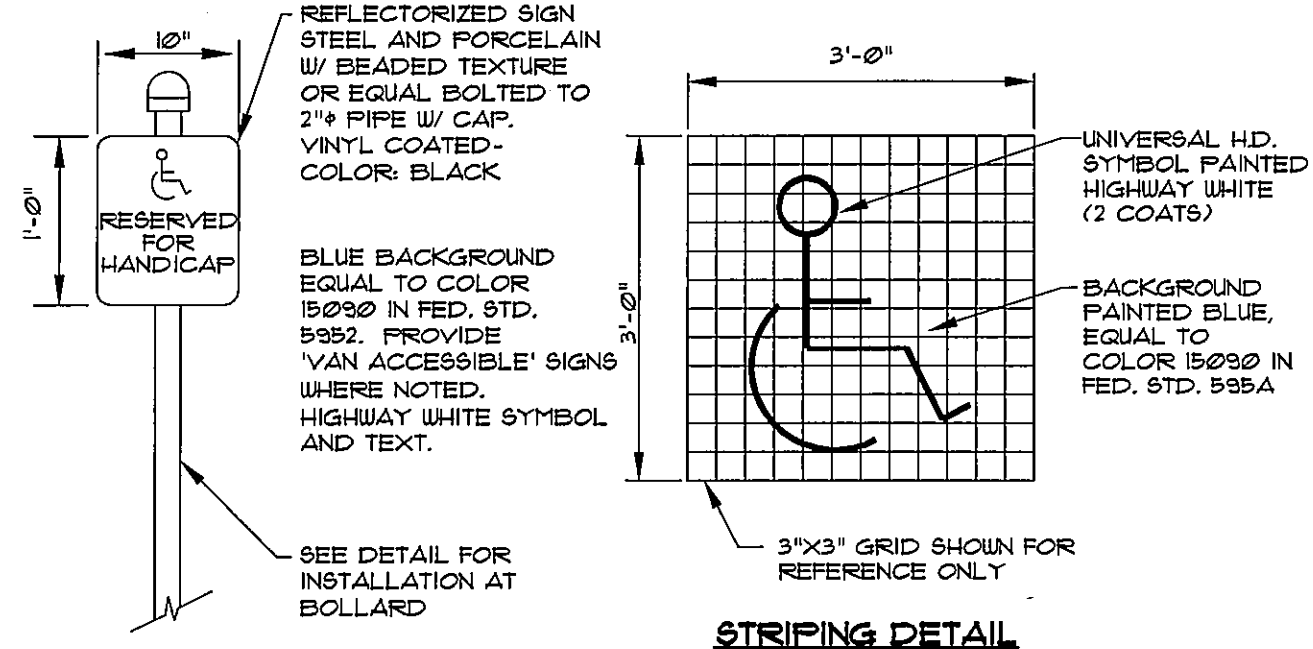
CONCRETE PAVING
NOT TO SCALE



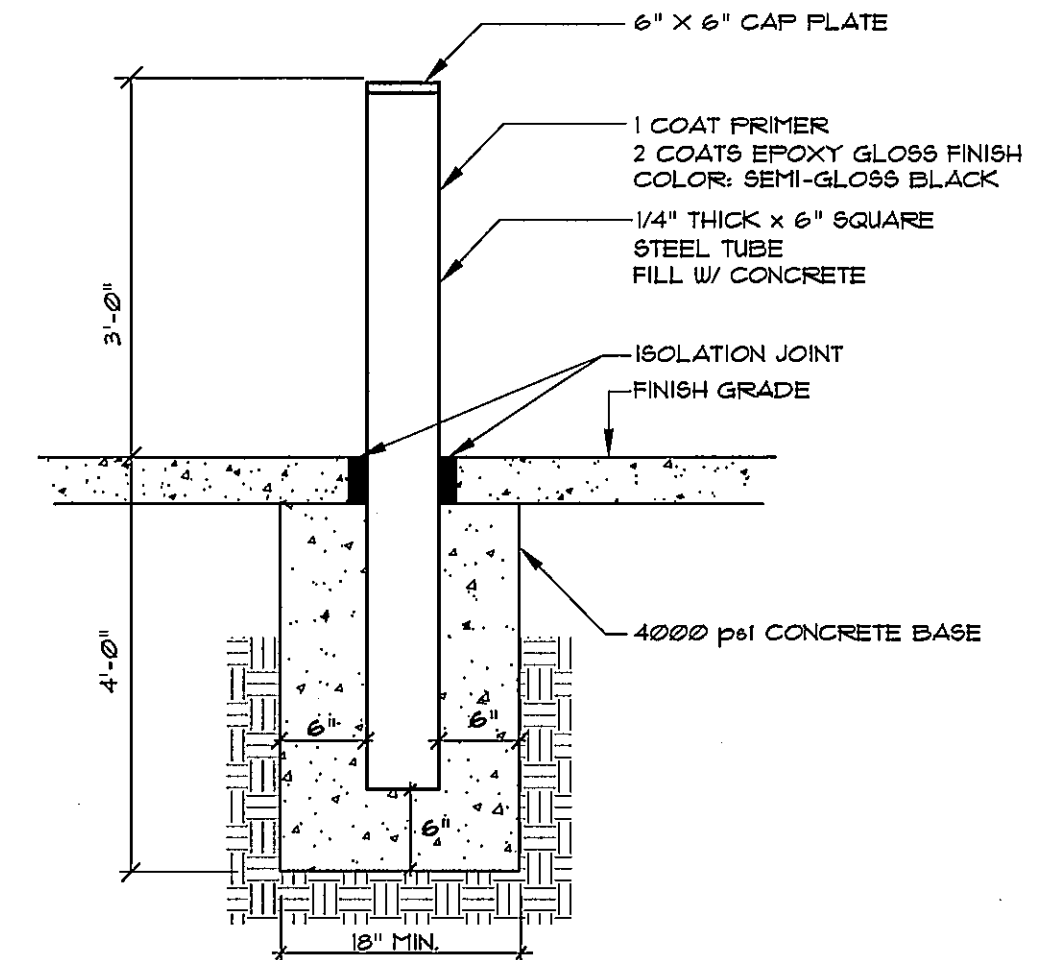
5' GRANULAR BASE @ DOOR THRESHOLD
NOT TO SCALE



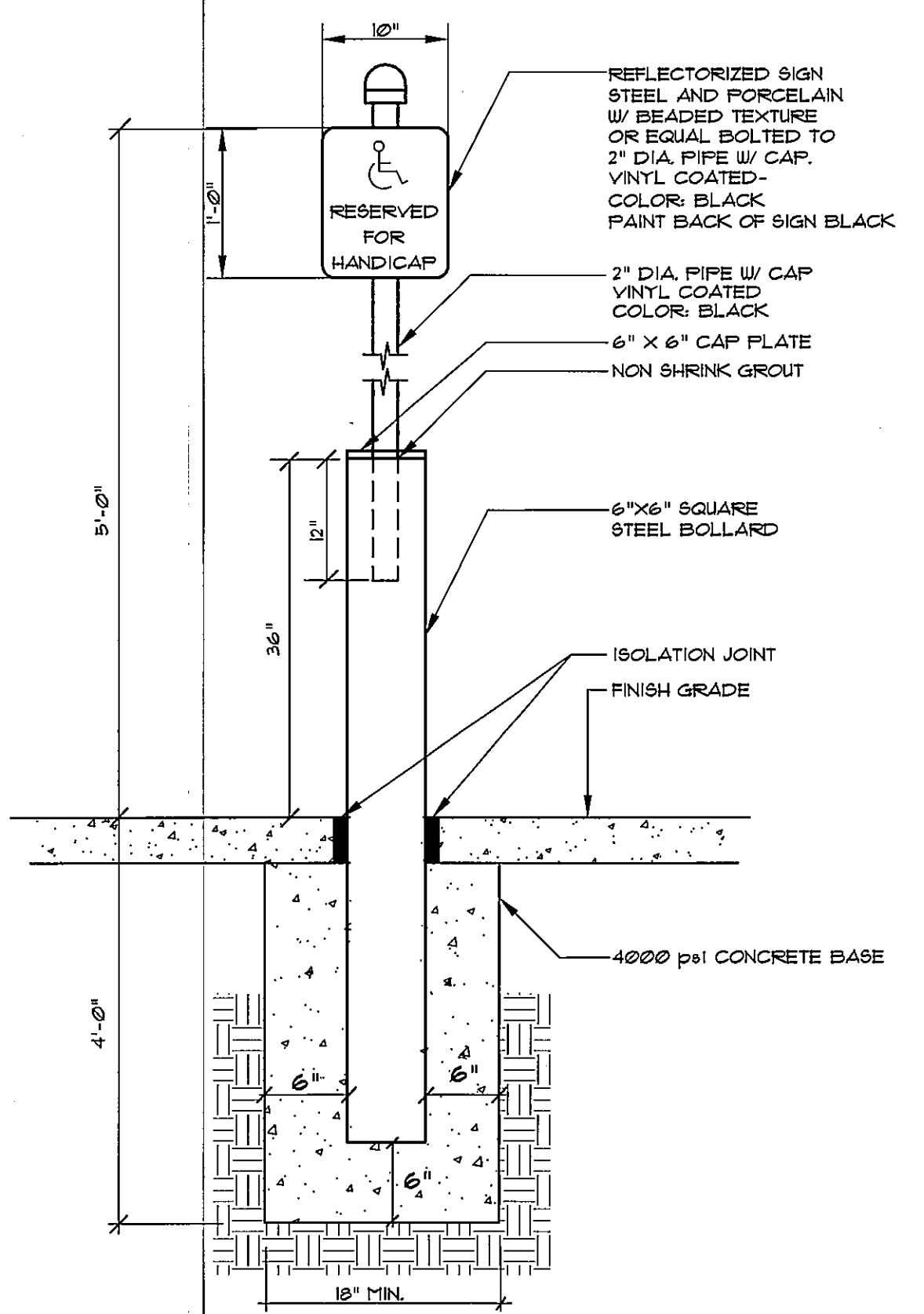
TREE GRATE DETAIL
NOT TO SCALE



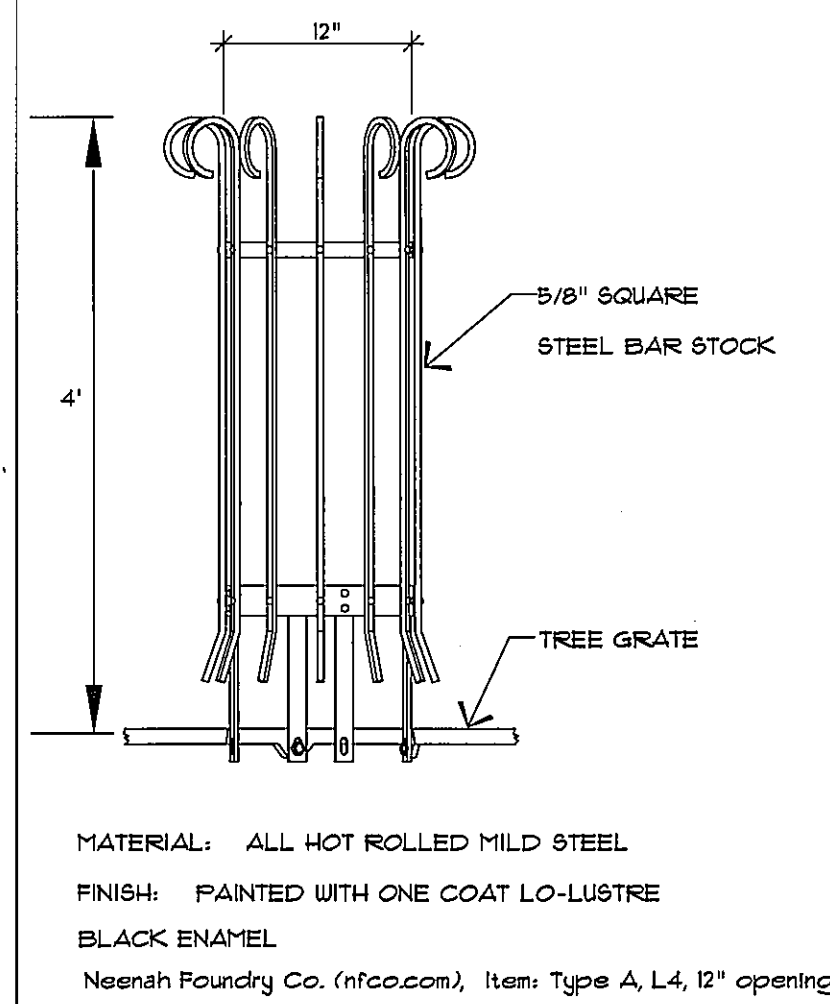
HANDICAP SIGNS AND STRIPING
NOT TO SCALE



STEEL BOLLARD
NOT TO SCALE

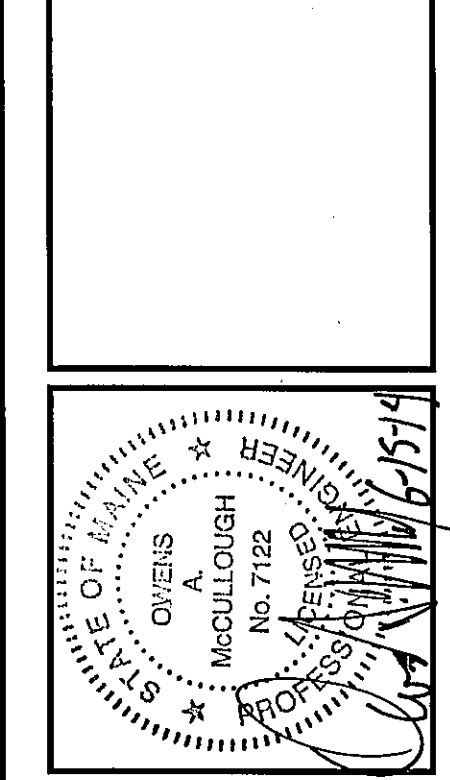


STEEL BOLLARD MOUNTED SIGN
NOT TO SCALE



TYPICAL TREE GUARD
NOT TO SCALE

MATERIAL: ALL HOT ROLLED MILD STEEL
FINISH: PAINTED WITH ONE COAT LO-LUSTRE BLACK ENAMEL
Neenah Foundry Co. (nfc.com), Item: Type A, L4, 12\"/>



WTC	06-20-14	CITY SUBMITTAL 8
H	G	FOUNDATION PERMIT SET
G	06-12-14	CITY SUBMITTAL 7
F	01-07-13	CITY SUBMITTAL 6
E	10-15-13	CITY SUBMITTAL 5
D	10-03-13	CITY SUBMITTAL 4
C	09-17-13	CITY SUBMITTAL 3
B	09-03-13	STATUS:
REV:	BY:	DATE:

SEBAGO TECHNICALS
75 John Roberts Rd., Suite 1A
South Portland, ME 04106
Tel: 207-858-9556

PROJECT NO. 13251
FIELD BOOK DESIGN CHK'D WTC
DRAWN MAL

SEAPORT LOFTS
NEWBURY/HANCOCK STREET
PORTLAND, MAINE

113 NEWBURY STREET, LLC
35 FAY STREET, SUITE 107B
BOSTON, MA 02118-4320

DATE: 07-26-13
SCALE: AS SHOWN

SHEET 9 OF 12