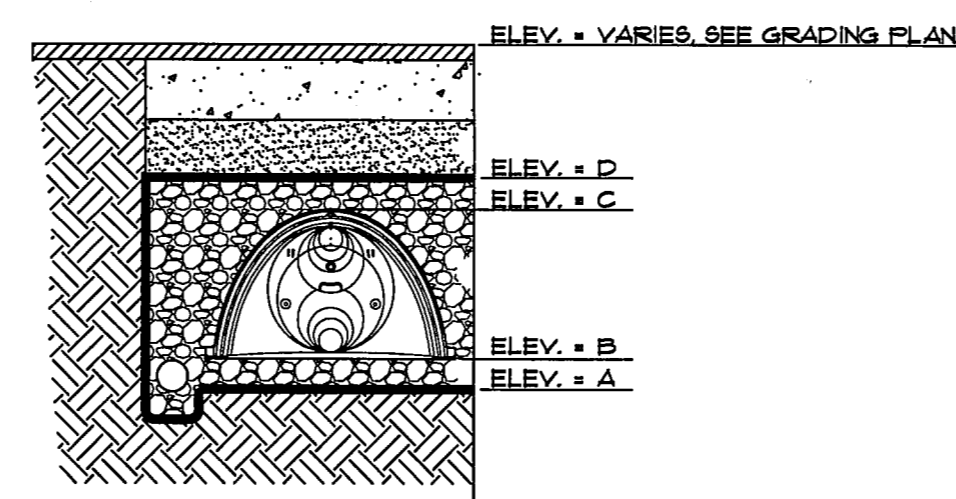


NOTES:

1. ALL DESIGN SPECIFICATIONS FOR STORMTECH CHAMBERS SHALL BE IN ACCORDANCE WITH THE STORMTECH DESIGN MANUAL.
2. THE INSTALLATION OF STORMTECH CHAMBERS SHALL BE IN ACCORDANCE WITH THE LATEST STORMTECH INSTALLATION INSTRUCTIONS.
3. THE CONTRACTOR IS ADVISED TO REVIEW AND UNDERSTAND THE INSTALLATION INSTRUCTIONS PRIOR TO BEGINNING SYSTEM INSTALLATION. CALL 1-888-892-2634 OR VISIT WWW.STORMTECH.COM TO RECEIVE A COPY OF THE LATEST STORMTECH INSTALLATION INSTRUCTIONS.
4. CONTACT DESIGN ENGINEER PRIOR TO INSTALLATION OF UNDERDRAIN AND STORMTECH SYSTEM.

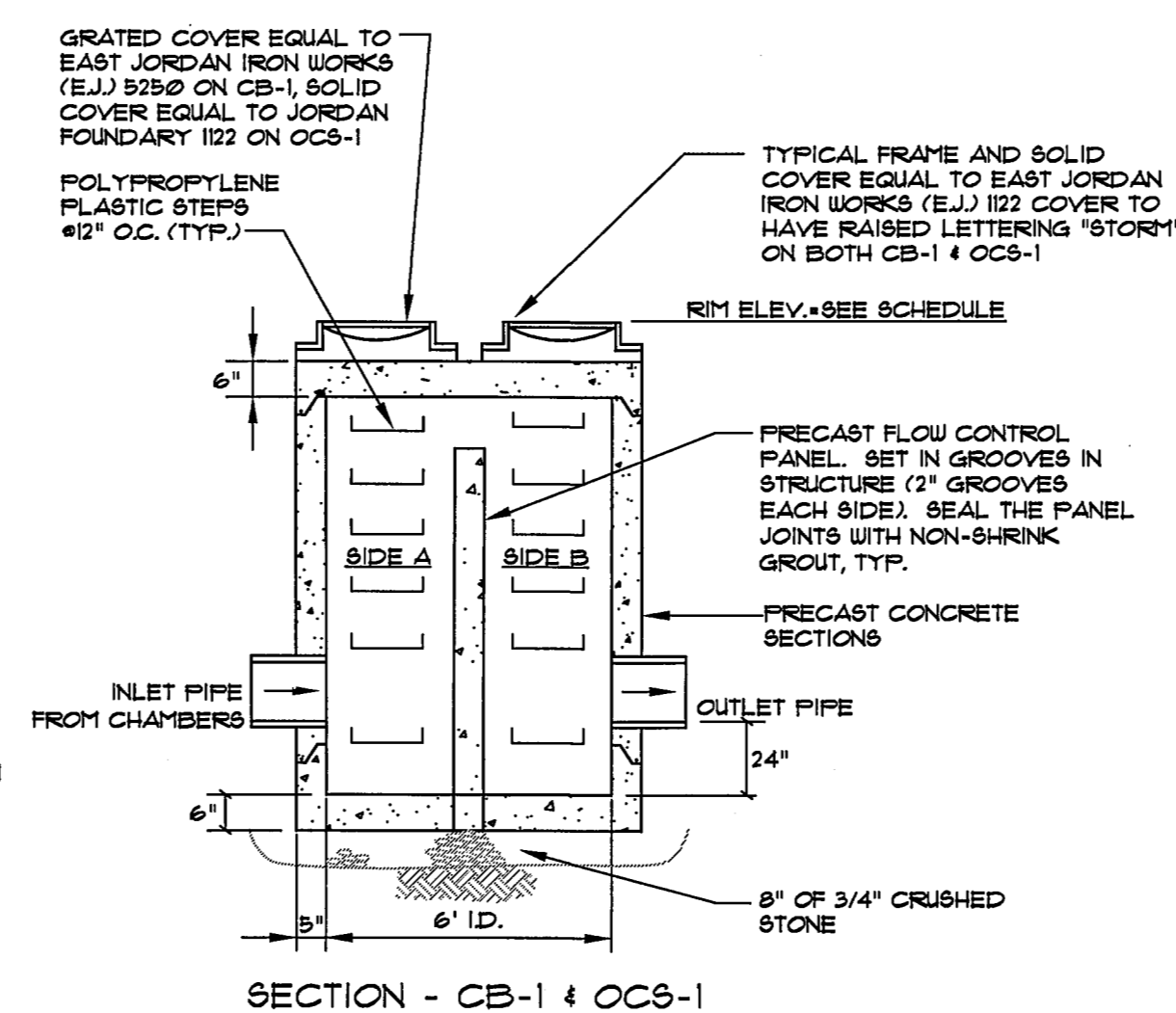
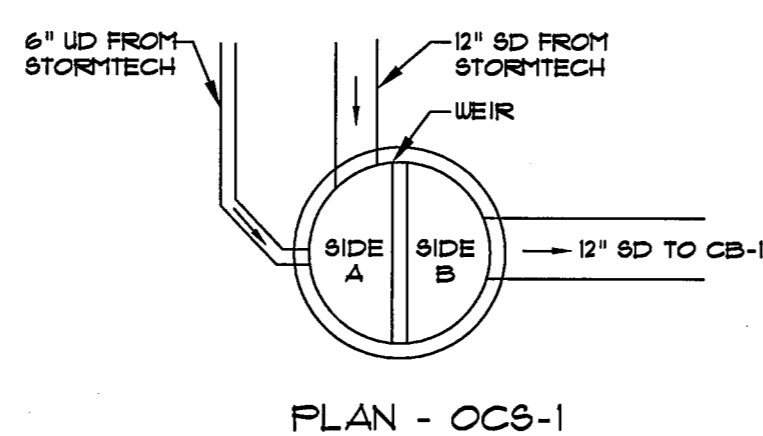
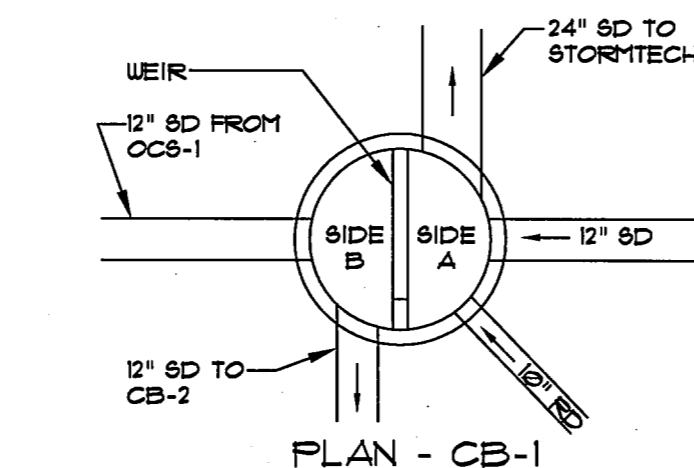
**STORMTECH SC-140 CHAMBER SYSTEM
OPTIONAL INSPECTION PORT DETAIL**
NOT TO SCALE



STORMTECH ELEVATIONS				
	A	B	C	D
ST-1	34.05	34.55	37.05	37.55

NOTE: ELEV. A IS THE ELEVATION OF THE BOTTOM OF STONE AND THE INVERT OF THE 6" UNDERDRAIN

STORMTECH SC-140 CHAMBER SYSTEM
NOT TO SCALE

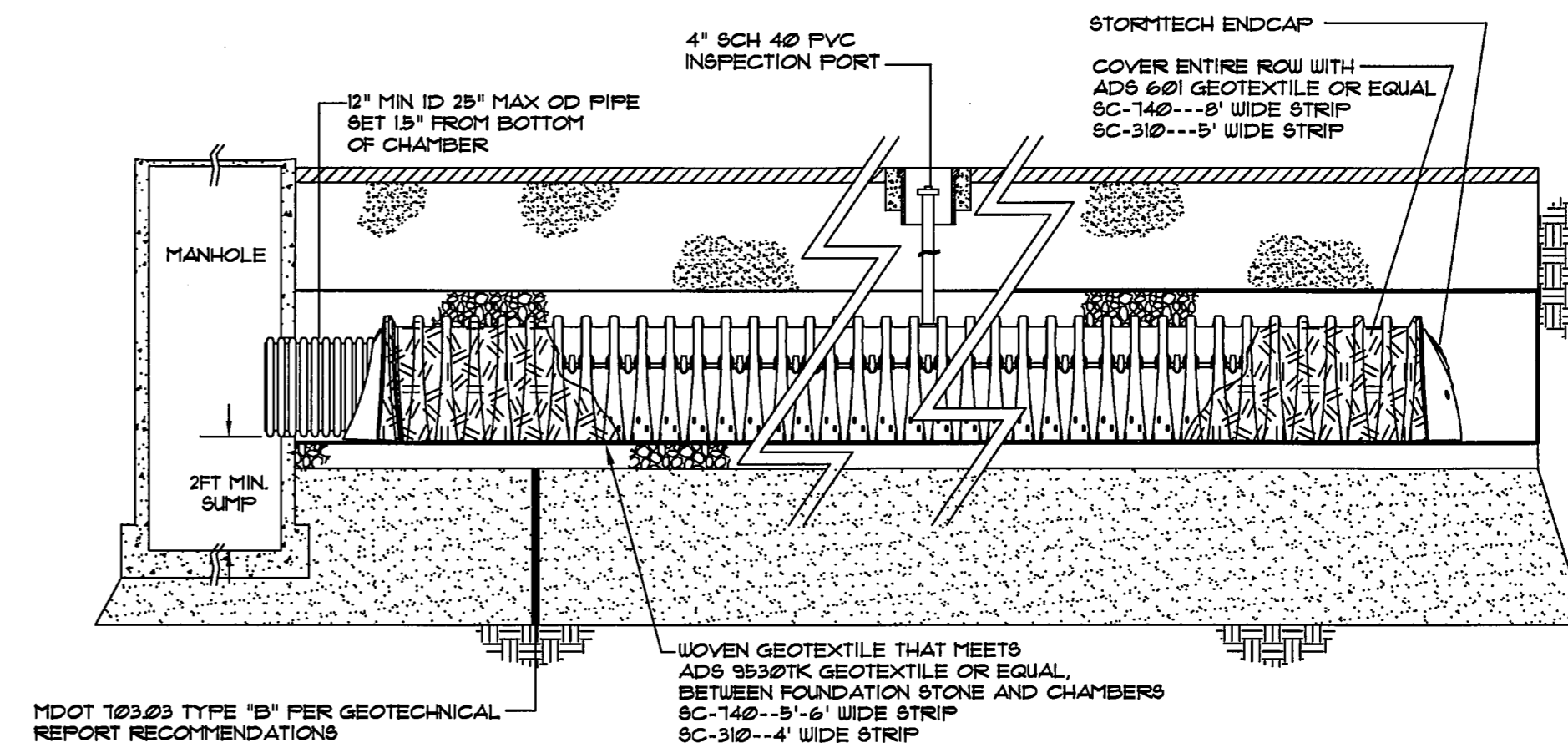


OUTLET CONTROL STRUCTURE (OCS) FOR ST-1
NOT TO SCALE

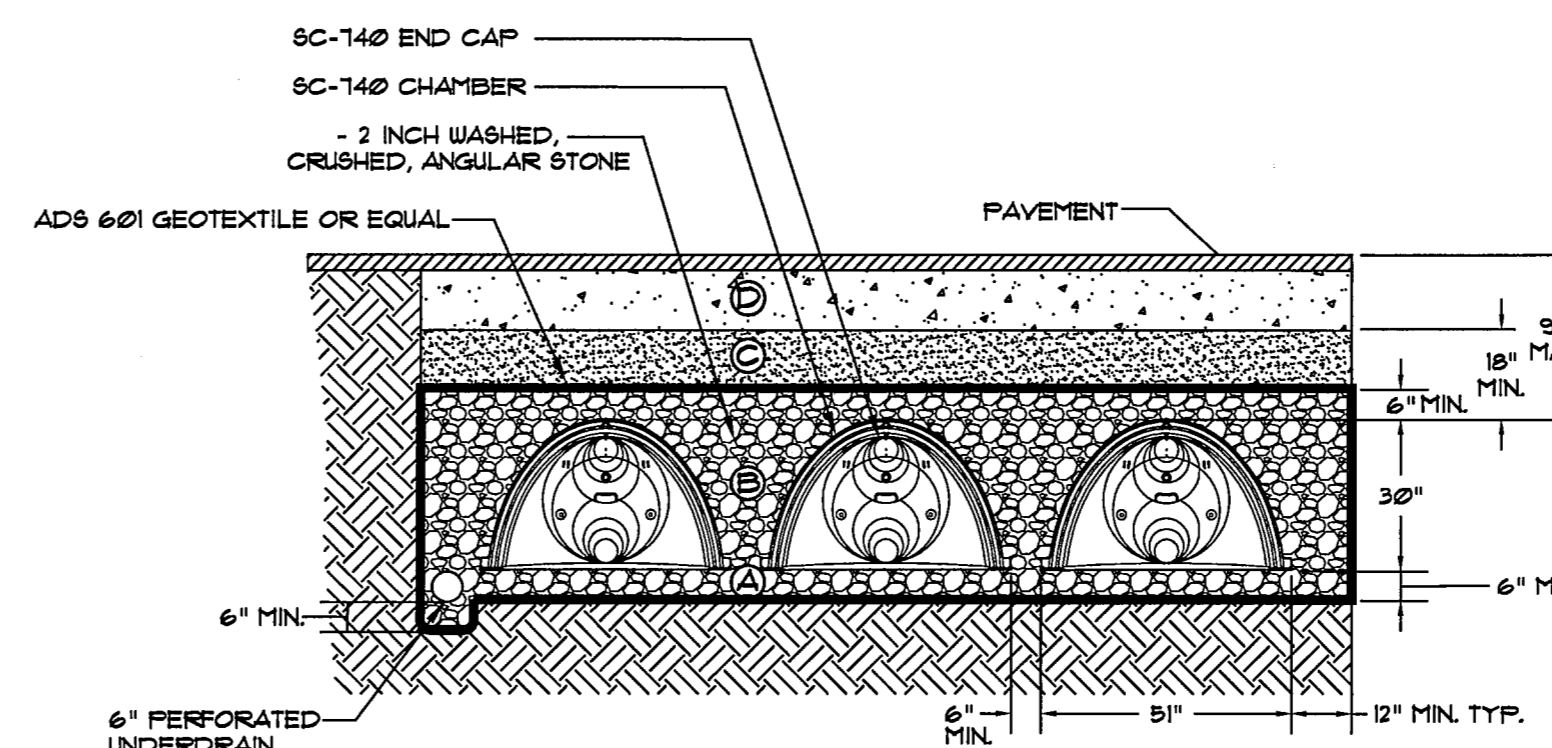
- NOTE:
1. SUBMIT SHOP DRAWINGS FOR OWNER/ENGINEER APPROVAL.
2. STRUCTURE SHALL BE DESIGNED FOR H-20 LOADING.

OUTLET CONTROL STRUCTURE SCHEDULE

	RIM ELEV.	SIDE A		SIDE B		WEIR ELEV.
		INV. IN	INV. OUT	INV. IN	INV. OUT	
CB-1	39.15	34.00 (12" SD) 35.00 (10" RD) TO STORMTECH	34.70 (24" SD)	33.75 (12" SD)	33.50 (12" SD)	37.00
OCS-1	39.55	34.05 (6" UD) 34.40 (12" SD)	34.05 6" ORIFICE	33.30 (12" SD)		36.50



STORMTECH ISOLATOR™ ROW PROFILE VIEW DETAIL
NOT TO SCALE



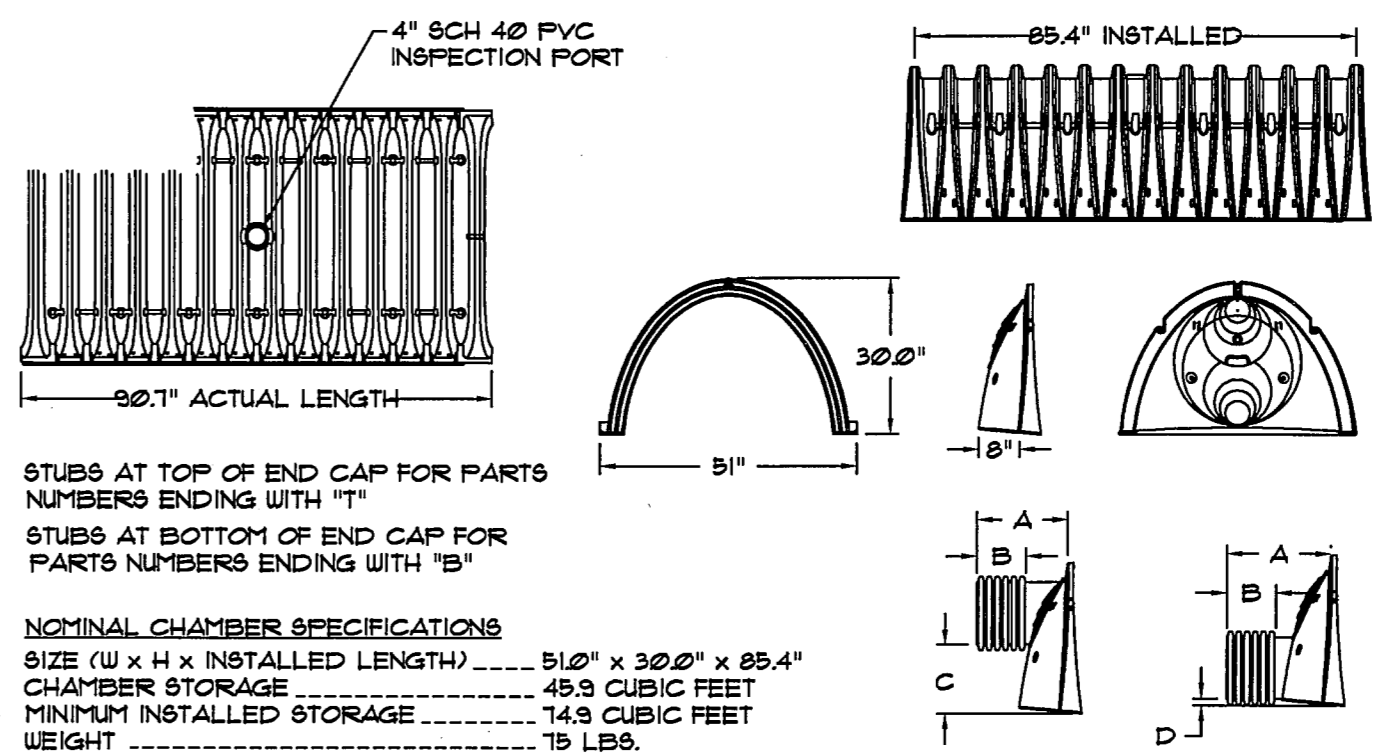
COMPACTION/DENSITY REQUIREMENTS:

1. WASHED, ANGULAR STONE WITH THE MAJORITY OF PARTICLES BETWEEN 3/4" - 2". FLATE COMPACT OR ROLL TO ACHIEVE A 95% STANDARD PROCTOR DENSITY.
2. WASHED, ANGULAR STONE WITH THE MAJORITY OF PARTICLES BETWEEN 3/4" - 2". NO COMPACTION REQUIRED.
3. GRANULAR WELL-GRADED SOIL/AGGREGATE MIXTURES, <35% FINES. COMPACT IN 6" LIFTS TO A MINIMUM 95% STANDARD PROCTOR DENSITY. ROLLER GROSS VEHICLE WEIGHT NOT TO EXCEED 12,000 POUNDS.
4. ANY SOIL/ROCK MATERIALS, NATIVE SOILS OR PER ENGINEER'S PLANS. CHECK PLANS FOR PAVEMENT SUBGRADE REQUIREMENTS. PREPARE PER ENGINEER'S PLANS.

MEDOT SPECIFICATIONS FOR UNDERDRAINS (MEDOT #103.22)

SIEVE SIZE	UNDERDRAIN TYPE B	% BY WEIGHT
1"	100	100
1/2"	15-100	100
1/4"	50-100	100
3/8"	15-80	100
1/2"	0-15	100
3/8"	0-5	100
1"	100	100
3/4"	90-100	100
3/8"	0-75	100
1/4"	0-25	100
3/8"	0-5	100

**STORMTECH SC-140 CHAMBER SYSTEM
TYPICAL CROSS SECTION DETAIL**
NOT TO SCALE



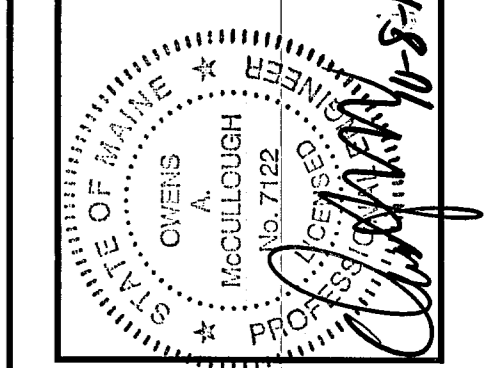
STUBS AT TOP OF END CAP FOR PARTS NUMBERS ENDING WITH "A"
STUBS AT BOTTOM OF END CAP FOR PARTS NUMBERS ENDING WITH "B"

NOMINAL CHAMBER SPECIFICATIONS
SIZE (W x H x INSTALLED LENGTH) 51.0" x 30.0" x 25.4"
CHAMBER STORAGE 45.9 CUBIC FEET
MINIMUM INSTALLED STORAGE 74.3 CUBIC FEET
WEIGHT 15 LBS.

PART #	CHAMBER	PIPE SIZE	A	B	C	D
SC140EPE2B	SC 140	15 in (375 mm)	19.30 in (490 mm)	10.30 in (262 mm)	10.5	26.1 in (663 mm)
SC140EPE24B	SC 140	24 in (600 mm)	18.50 in (470 mm)	9.45 in (240 mm)	N/A	0.10 in (3 mm)

NOTE: ALL DIMENSIONS ARE NOMINAL
* FOR THE SC310EPE2B THE 12" STUB LIES BELOW THE BOTTOM OF THE END CAP APPROXIMATELY 0.25". FOR THE SC140EPE24B THE 24" STUB LIES BELOW THE BOTTOM OF THE END CAP APPROXIMATELY 1.15". BACKFILL MATERIAL SHOULD BE REMOVED FROM BELOW THE N-12 STUB SO THAT THE FITTING SETS LEVEL.

**STORMTECH SC-140 CHAMBER
TECHNICAL SPECIFICATIONS**
NOT TO SCALE



CITY SUBMITTAL 5	10-03-13	WTC
CITY SUBMITTAL 4	08-17-13	WTC
CITY SUBMITTAL 3	05-03-13	WTC
SUBMIT SITE PLAN APPLICATION TO CITY	07-29-13	WTC
DATE:		
BY:		

SEBAGO TECHNICAL SERVICES
WWW.SEBAGOTECHNICALS.COM
76 Main Street, 2nd Floor, Lewiston, ME 04240
Tel: 207-200-2100 Fax: 207-783-8668

PROJECT NO. 13251
FIELD BOOK DESIGN CHKD DRAWN
WTC WTC WTC WTC WTC

DETAILS
OF:
SEAPORT LOFTS
NEWBURY/HANCOCK STREET
PORTLAND, MAINE
FOR:
113 NEWBURY STREET, LLC
35 NEWBURY STREET, SUITE 107B
BOSTON, MA 02116-4320

DATE: 07-26-13
SCALE: AS SHOWN

SHEET 14 OF 14