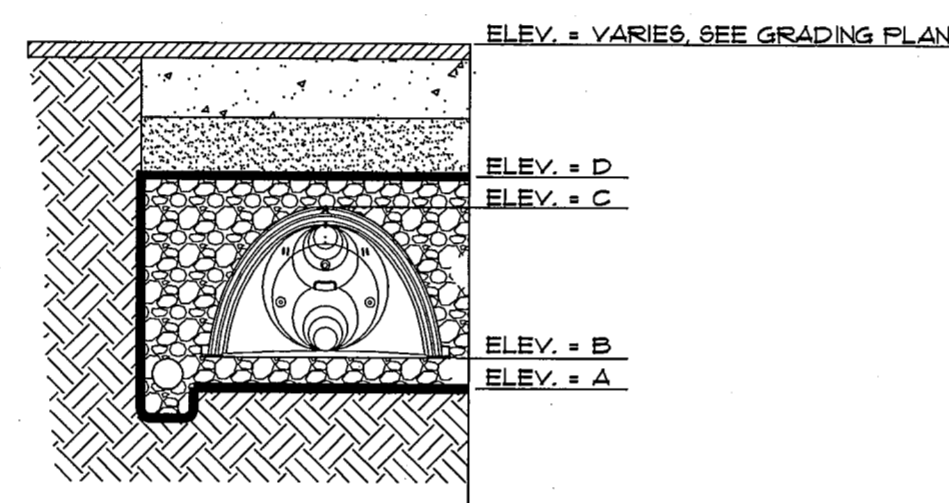


**NOTES:**

1. ALL DESIGN SPECIFICATIONS FOR STORMTECH CHAMBERS SHALL BE IN ACCORDANCE WITH THE STORMTECH DESIGN MANUAL.
2. THE INSTALLATION OF STORMTECH CHAMBERS SHALL BE IN ACCORDANCE WITH THE LATEST STORMTECH INSTALLATION INSTRUCTIONS.
3. THE CONTRACTOR IS ADVISED TO REVIEW AND UNDERSTAND THE INSTALLATION INSTRUCTIONS PRIOR TO BEGINNING SYSTEM INSTALLATION. CALL 1-888-892-2694 OR VISIT WWW.STORMTECH.COM TO RECEIVE A COPY OF THE LATEST STORMTECH INSTALLATION INSTRUCTIONS.
4. CONTACT DESIGN ENGINEER PRIOR TO INSTALLATION OF UNDERDRAIN AND STORMTECH SYSTEM.

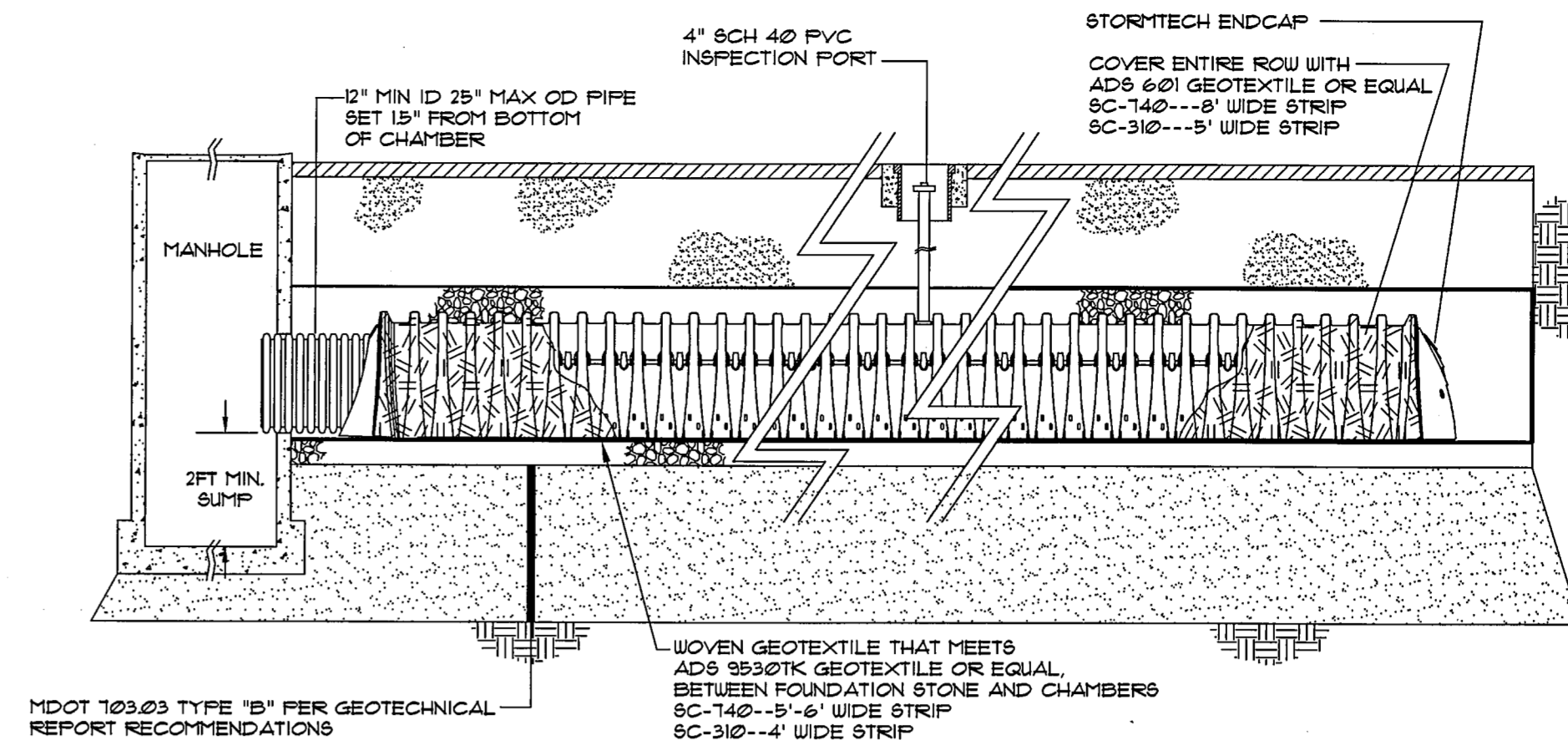
**STORMTECH SC-140 CHAMBER SYSTEM  
OPTIONAL INSPECTION PORT DETAIL**  
NOT TO SCALE



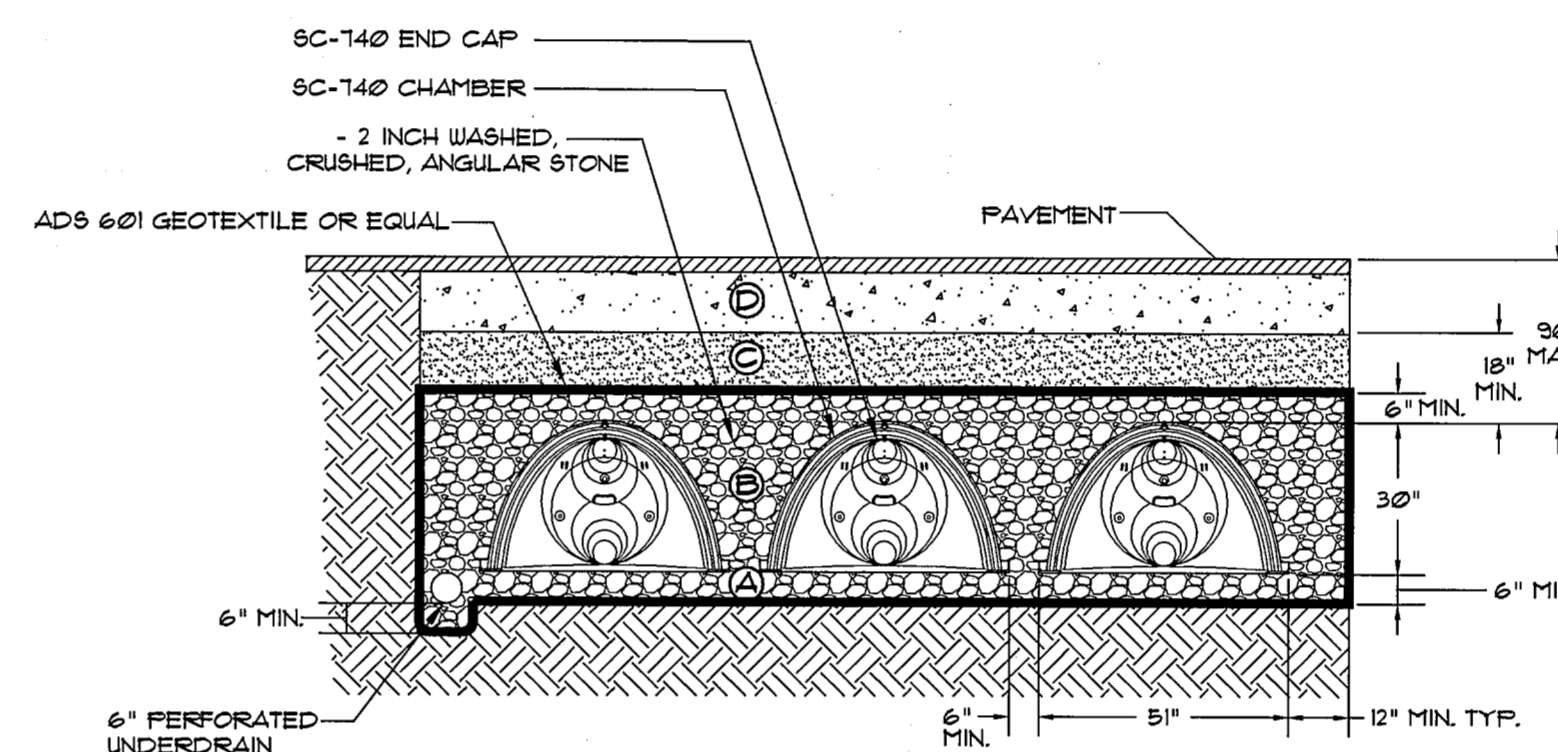
STORMTECH ELEVATIONS				
ST-1	A	B	C	D
	34.05	34.55	37.05	37.55

NOTE: ELEV. A IS THE ELEVATION OF THE BOTTOM OF STONE AND THE INVERT OF THE 6" UNDERDRAIN

**STORMTECH SC-140 CHAMBER SYSTEM**  
NOT TO SCALE



**STORMTECH ISOLATOR TM ROW PROFILE VIEW DETAIL**  
NOT TO SCALE



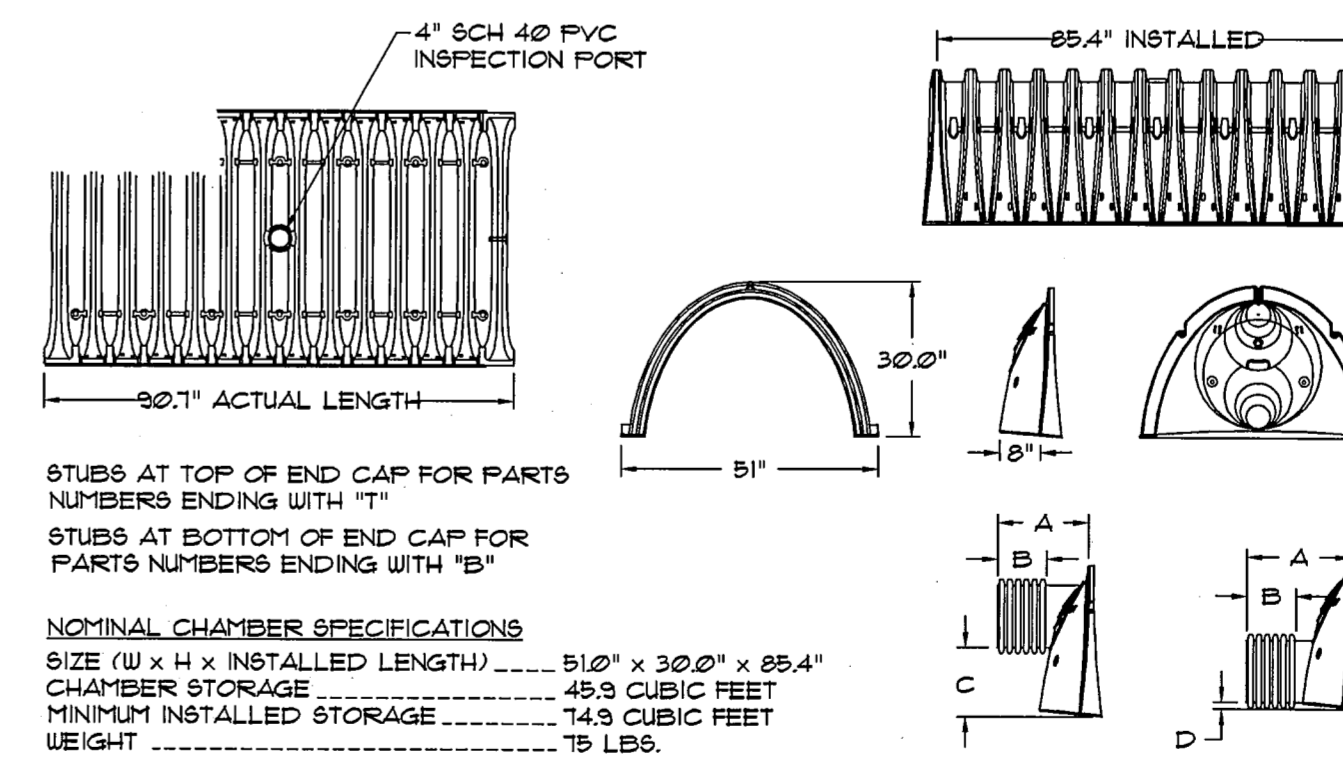
**COMPACTION/DENSITY REQUIREMENTS:**

1. WASHED, ANGULAR STONE WITH THE MAJORITY OF PARTICLES BETWEEN 3/4" - 2". FLATE COMPACT OR ROLL TO ACHIEVE A 95% STANDARD PROCTOR DENSITY.
2. WASHED, ANGULAR STONE WITH THE MAJORITY OF PARTICLES BETWEEN 3/4" - 2". NO COMPACTION REQUIRED.
3. GRANULAR WELL-GRADED SOIL/AGGREGATE MIXTURES, <3% FINES. COMPACT IN 6" LIFTS TO A MINIMUM 95% STANDARD PROCTOR DENSITY. ROLLER GROSS VEHICLE WEIGHT NOT TO EXCEED 12,000 POUNDS.
4. ANY SOIL/ROCK MATERIALS, NATIVE SOILS OR PER ENGINEER'S PLANS. CHECK PLANS FOR PAVEMENT SUBGRADE REQUIREMENTS. PREPARE PER ENGINEER'S PLANS.

**MEDOT SPECIFICATIONS FOR UNDERDRAINS (MEDOT #103.22)**

SIEVE SIZE	% BY WEIGHT
<b>UNDERDRAIN TYPE B</b>	
1"	90-100
1/2"	75-100
#4	90-100
#20	15-20
#50	0-5
#200	0-5
<b>UNDERDRAIN TYPE C</b>	
1"	100
3/4"	90-100
3/8"	0-15
#4	0-25
#20	0-5

**STORMTECH SC-140 CHAMBER SYSTEM  
TYPICAL CROSS SECTION DETAIL**  
NOT TO SCALE



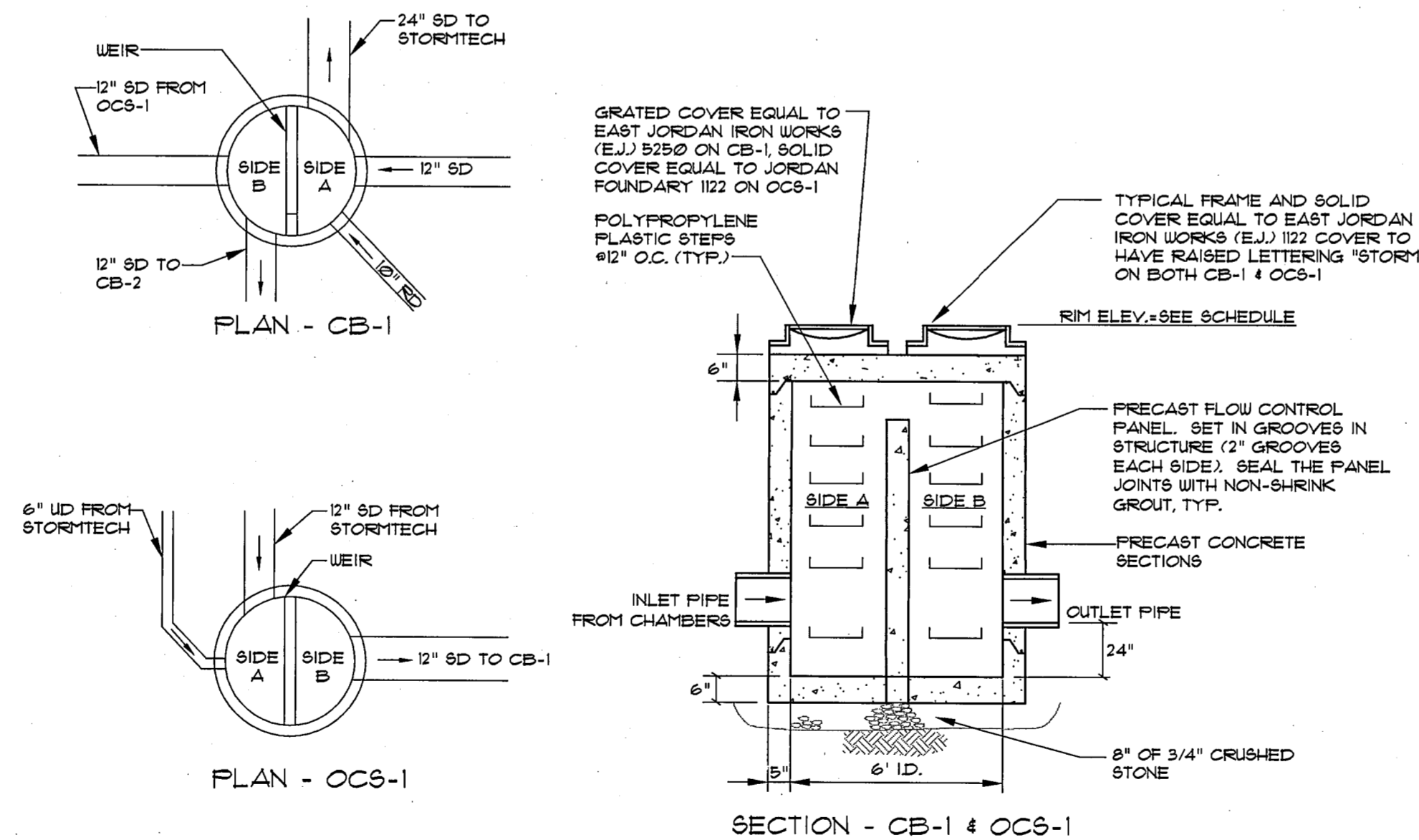
STUBS AT TOP OF END CAP FOR PARTS NUMBERS ENDING WITH "A"  
STUBS AT BOTTOM OF END CAP FOR PARTS NUMBERS ENDING WITH "B"

**NOMINAL CHAMBER SPECIFICATIONS**  
SIZE (W x H x INSTALLED LENGTH) 51.0" x 30.0" x 25.4"  
CHAMBER STORAGE 45.3 CUBIC FEET  
MINIMUM INSTALLED STORAGE 14.9 CUBIC FEET  
WEIGHT 15 LBS.

PART #	CHAMBER	PIPE SIZE	A	B	C	D
SC140EPE22B	SC 140	15 in (375 mm)	19.30 in (490 mm)	10.30 in (262 mm)	10.5	26.1 in (30 mm)
SC140EPE24B	SC 140	24 in (600 mm)	18.50 in (470 mm)	9.45 in (240 mm)	N/A	20.0 in (3 mm)

NOTE: ALL DIMENSIONS ARE NOMINAL  
ALL STUBS, EXCEPT FOR THE SC310EPE22B AND SC140EPE24B ARE PLACED AT BOTTOM OF END CAP SUCH THAT THE OUTSIDE DIAMETER OF THE STUB IS FLUSH WITH THE BOTTOM OF THE END CAP.  
\* FOR THE SC310EPE22B THE 12" STUB LIES BELOW THE BOTTOM OF THE END CAP APPROXIMATELY 0.25".  
FOR THE SC140EPE24B THE 24" STUB LIES BELOW THE BOTTOM OF THE END CAP APPROXIMATELY 1.75".  
BACKFILL MATERIAL SHOULD BE REMOVED FROM BELOW THE N-12 STUB SO THAT THE FITTING SETS LEVEL.

**STORMTECH SC-140 CHAMBER  
TECHNICAL SPECIFICATIONS**  
NOT TO SCALE

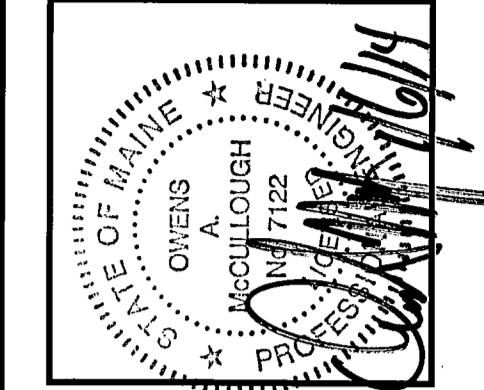


**OUTLET CONTROL STRUCTURE (OCS) FOR ST-1**  
NOT TO SCALE

- NOTE:  
1. SUBMIT SHOP DRAWINGS FOR OWNER/ENGINEER APPROVAL.  
2. STRUCTURE SHALL BE DESIGNED FOR H-20 LOADING.

**OUTLET CONTROL STRUCTURE SCHEDULE**

OCS	RIM ELEV.	SIDE A		SIDE B		WEIR ELEV.
		INV. IN	INV. OUT	INV. IN	INV. OUT	
CB-1	33.15	34.80 (12" SD)	34.70 (24" SD)	33.75 (12" SD)	33.50 (12" SD)	37.00
		35.00 (10" SD) TO STORMTECH				
OCS-1	33.55	34.05 (6" UD)	34.05 6" ORFICE	33.90 (12" SD)		36.50



DATE	SCALE
07-26-13	AS SHOWN

**SEBAGO TECHNICAL SERVICES**  
WWW.SEBAGOTECHNICALSERVICES.COM  
75 John Roberts Rd., Suite 1A  
South Portland, ME 04106  
Tel: 207-260-2100

PROJECT NO. 13251  
FIELD BOOK DESIGN CHKD DRAWN  
13251 WTC MAL

**SEBAGO TECHNICAL SERVICES**  
NEWBURY / HANCOCK STREET  
PORTLAND, MAINE  
FOR: **113 NEWBURY STREET, LLC**  
35 FAY STREET, SUITE 107B  
BOSTON, MA 02118-4320

DATE: 07-26-13  
SCALE: AS SHOWN

SHEET 14 OF 14