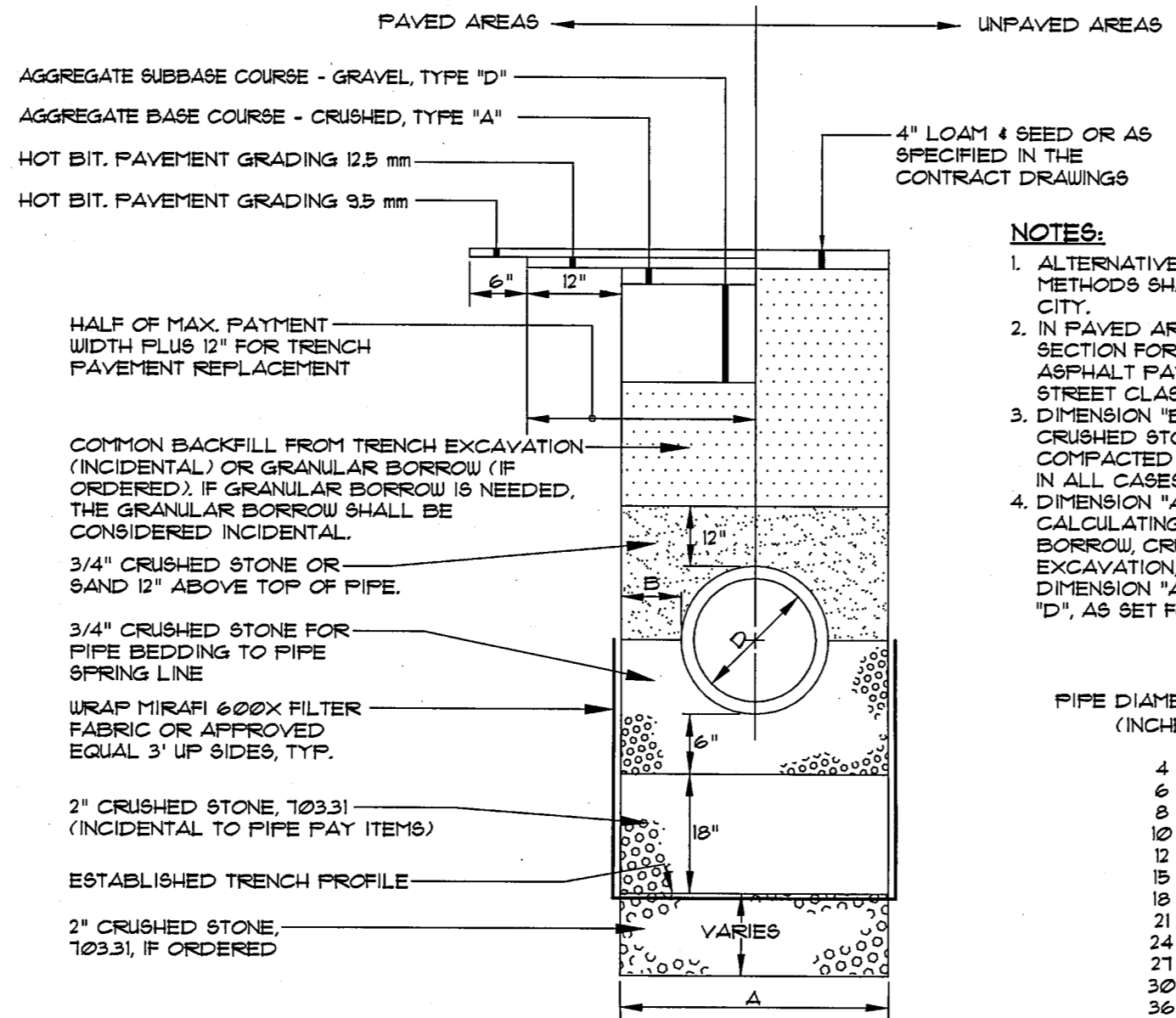


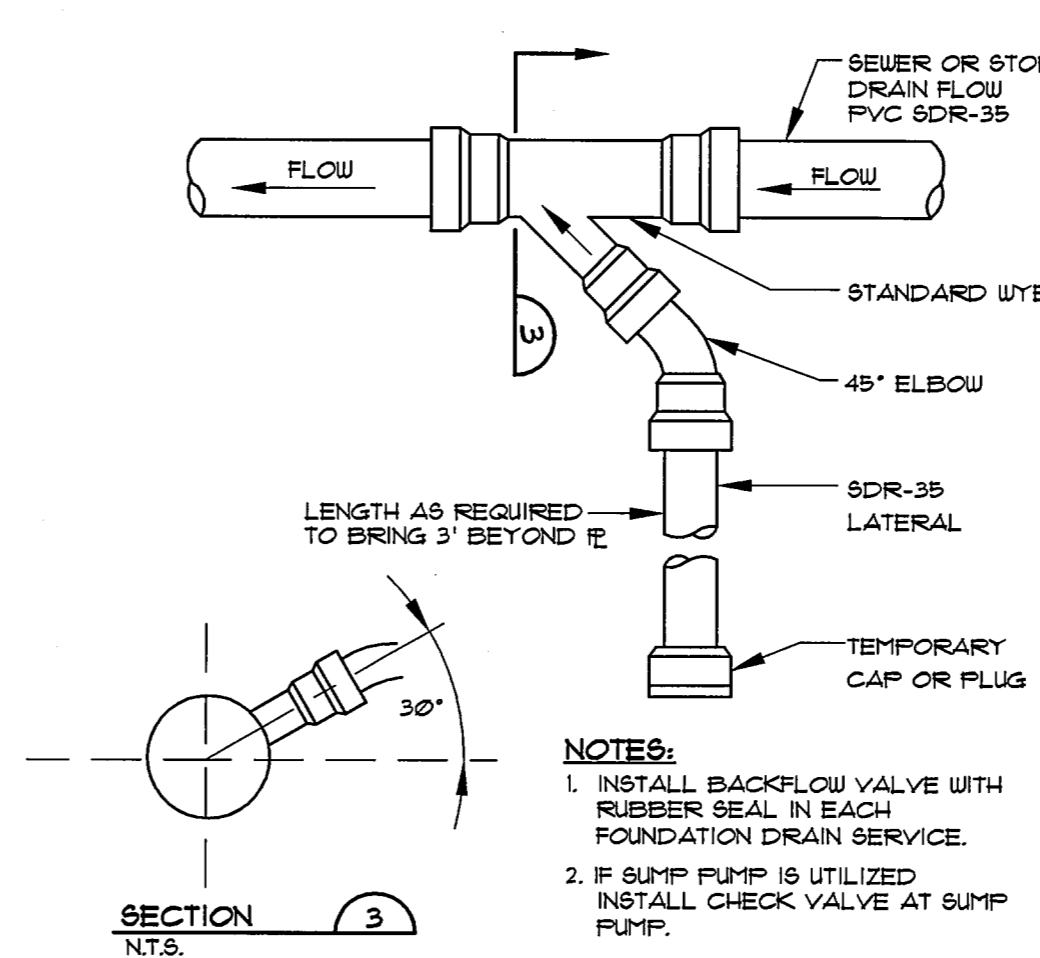
TYPICAL LIGHT POLE BASE
NOT TO SCALE



TYPICAL PIPE INSTALLATION DETAIL
NOT TO SCALE

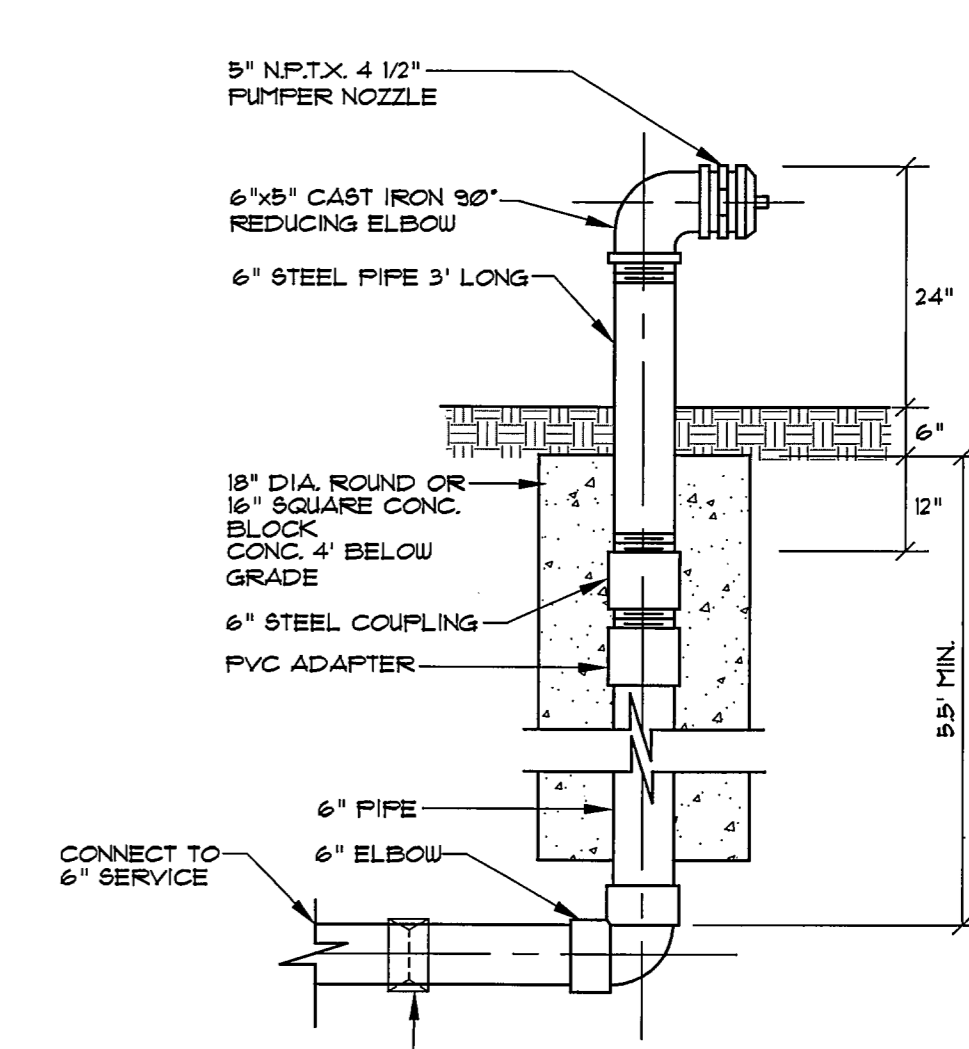
- NOTES:**
- ALTERNATIVE CONSTRUCTION METHODS OR PAYMENT METHODS SHALL BE APPROVED IN ADVANCE BY THE CITY.
 - IN PAVED AREAS REFER TO BITUMINOUS PAVEMENT SECTION FOR DEPTH OF GRAVEL AND HOT MIX ASPHALT PAVEMENT BASED ON THE CORRESPONDING STREET CLASSIFICATION.
 - DIMENSION 'B' SHALL BE SUFFICIENT TO ALLOW CRUSHED STONE BEDDING TO BE PLACED AND COMPACTED UNDER THE HAUNCHES OF THE PIPE BUT IN ALL CASES 'B' SHALL BE AT LEAST 9\".
 - DIMENSION 'A' IS THE MAXIMUM WIDTH ALLOWED FOR CALCULATING PAY QUANTITIES UNDER GRANULAR BORROW, CRUSHED STONE, STRUCTURAL EARTH EXCAVATION, AND STRUCTURAL ROCK EXCAVATION. DIMENSION 'A' SHALL BE BASED ON PIPE DIAMETER 'D', AS SET FORTH IN THE FOLLOWING TABLE.

PIPE DIAMETER, "D" (INCHES)	MAX. TRENCH WIDTH, "A" (FEET)
4	4.0
6	4.0
8	4.0
10	4.0
12	4.0
15	4.0
18	5.0
21	5.0
24	5.5
27	6.0
30	6.0
36	7.0
42	8.0
48	8.0

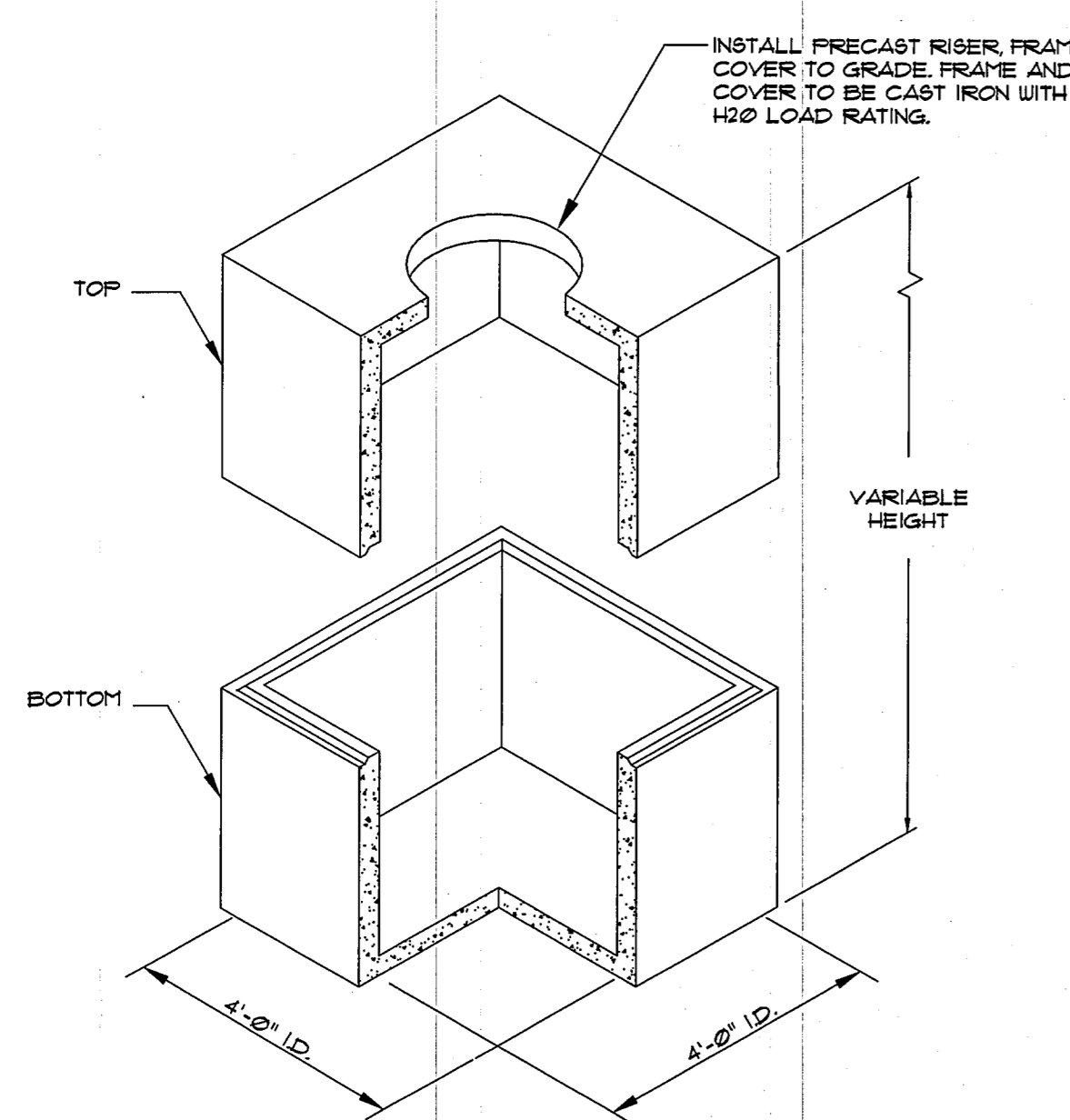


SEWER / FOUNDATION DRAIN SERVICE CONNECTION
NOT TO SCALE

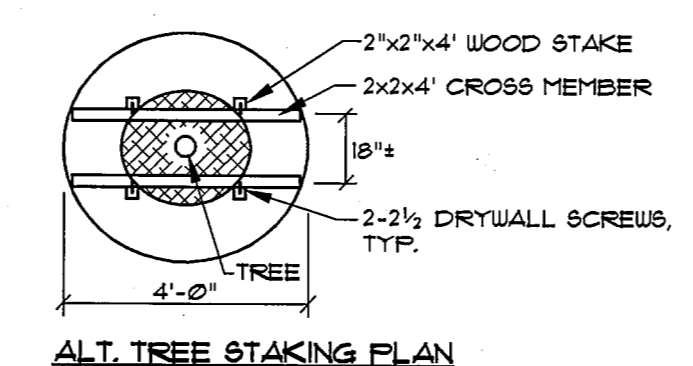
- NOTES:**
- INSTALL BACKFLOW VALVE WITH RUBBER SEAL IN EACH FOUNDATION DRAIN SERVICE.
 - IF SUMP PUMP IS UTILIZED INSTALL CHECK VALVE AT SUMP PUMP.



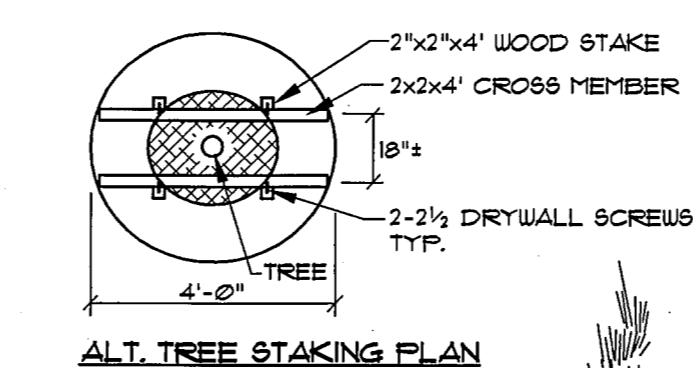
FIRE PROTECTION STAND PIPE
NOT TO SCALE



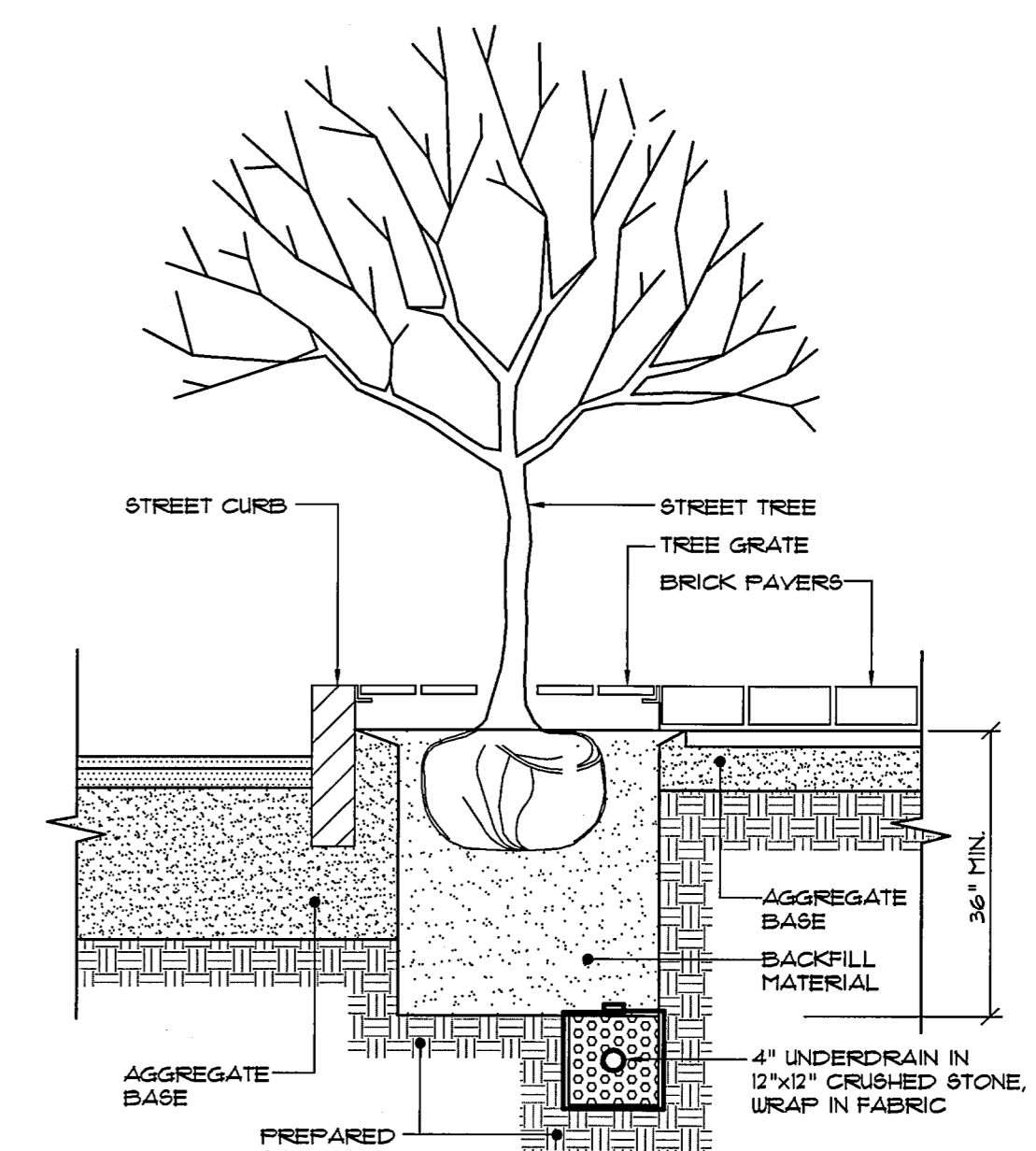
UTILITY MANHOLE
NOT TO SCALE



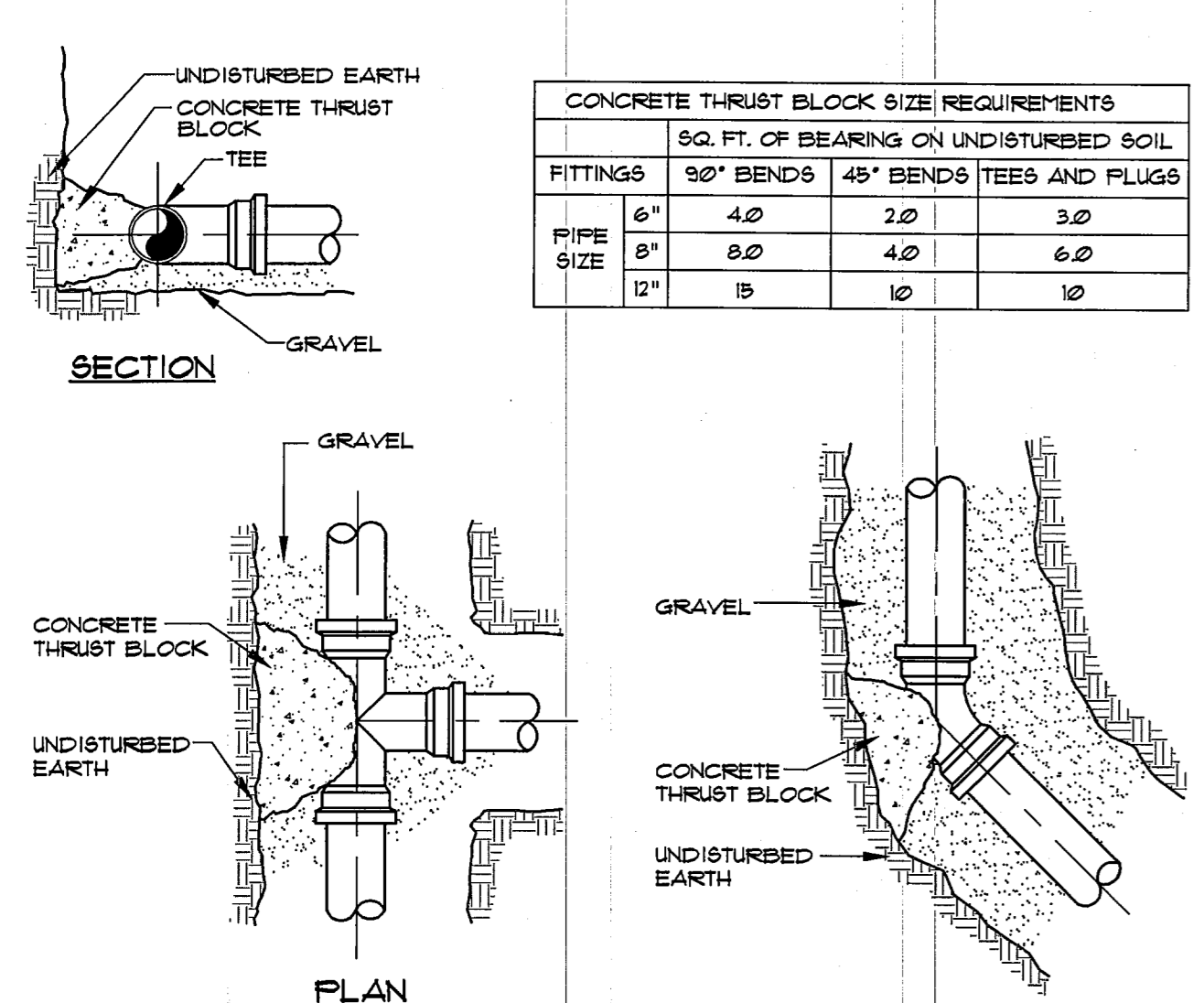
ALT. TREE STAKING PLAN
NOT TO SCALE



ALT. TREE STAKING PLAN
NOT TO SCALE

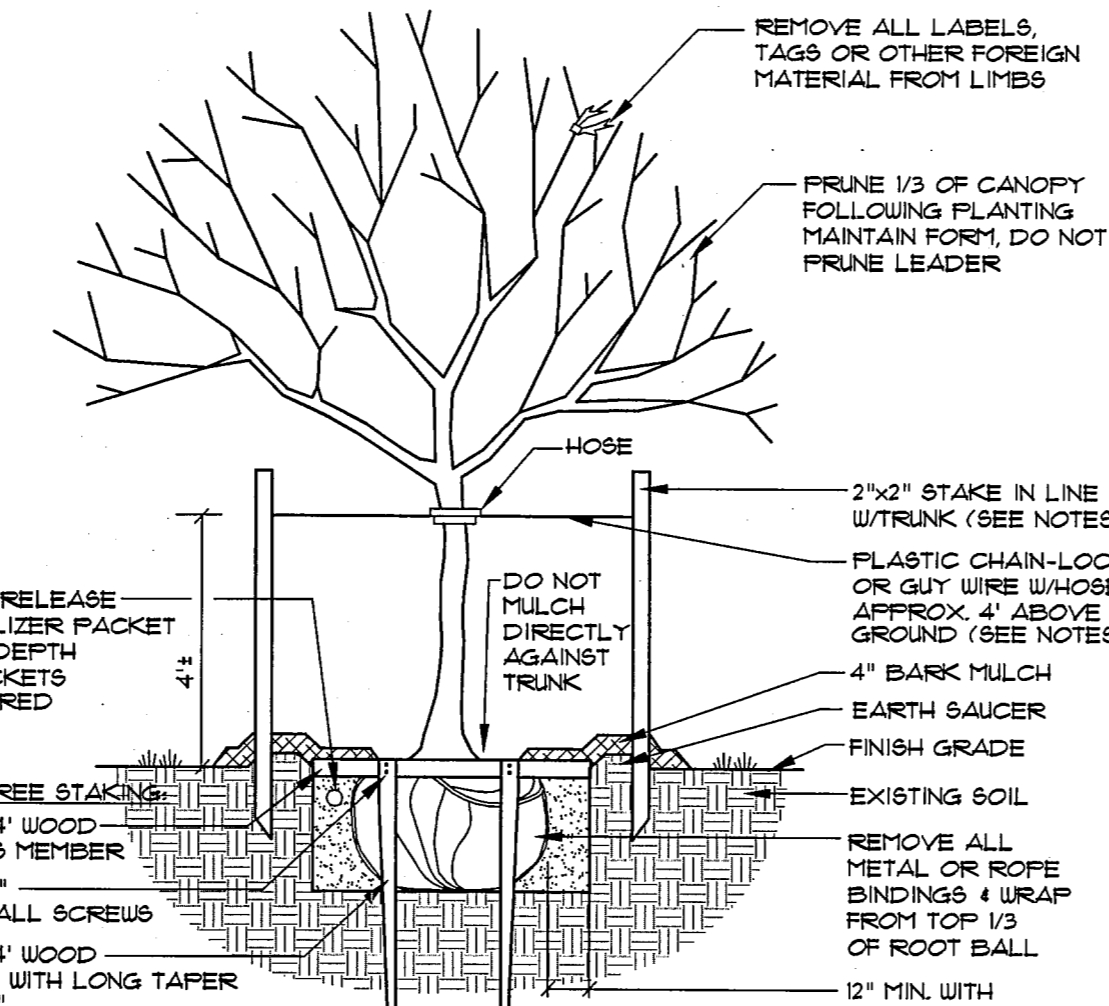


TREE PIT DETAIL
NOT TO SCALE



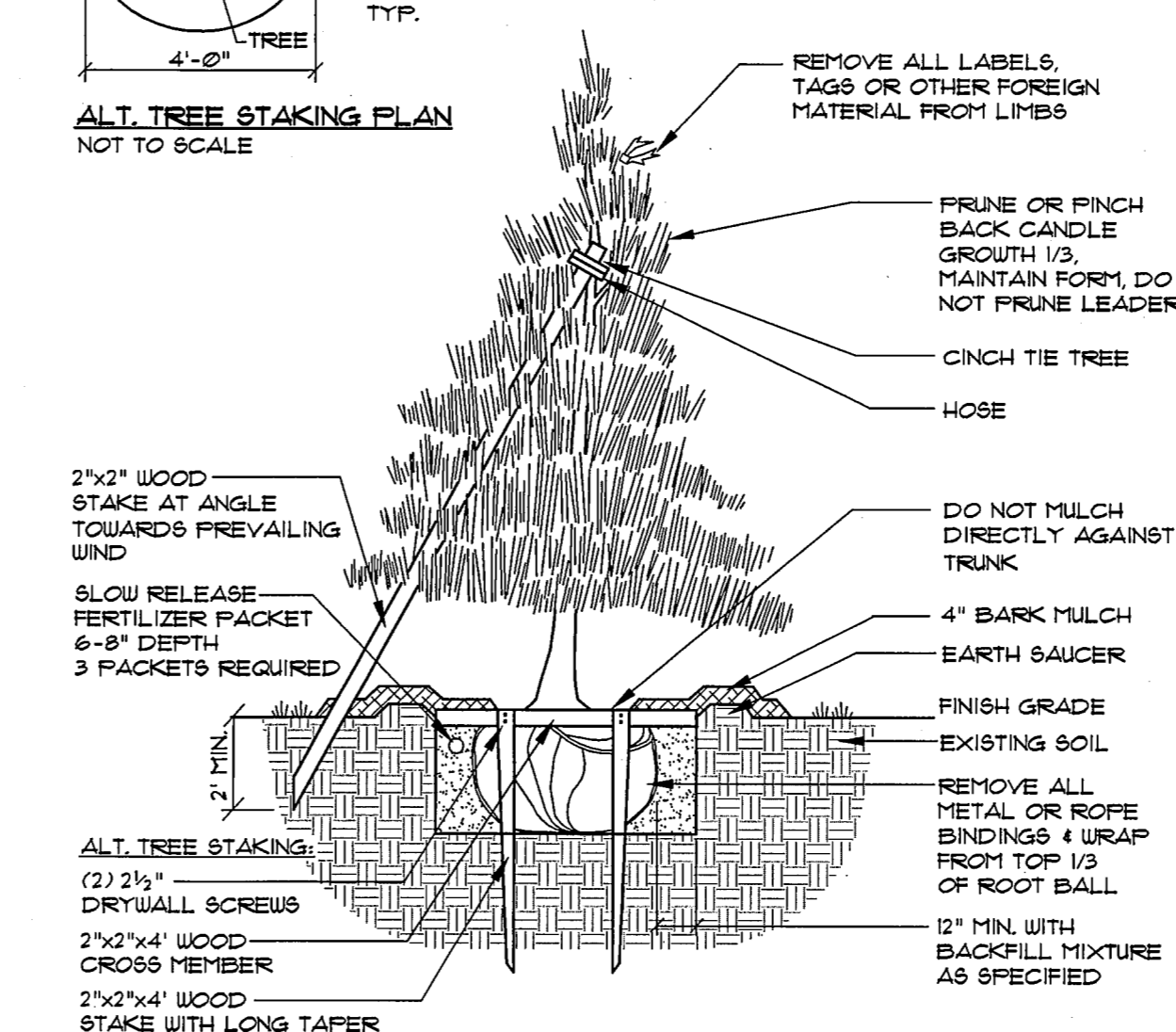
TEE AND BEND DETAIL
NOT TO SCALE

CONCRETE THRUST BLOCK SIZE REQUIREMENTS				
SQ. FT. OF BEARING ON UNDISTURBED SOIL		FITTINGS		
6"	8"	90° BENDS	45° BENDS	TEES AND PLUGS
4.0	8.0	2.0	4.0	3.0
15	30	10	20	10



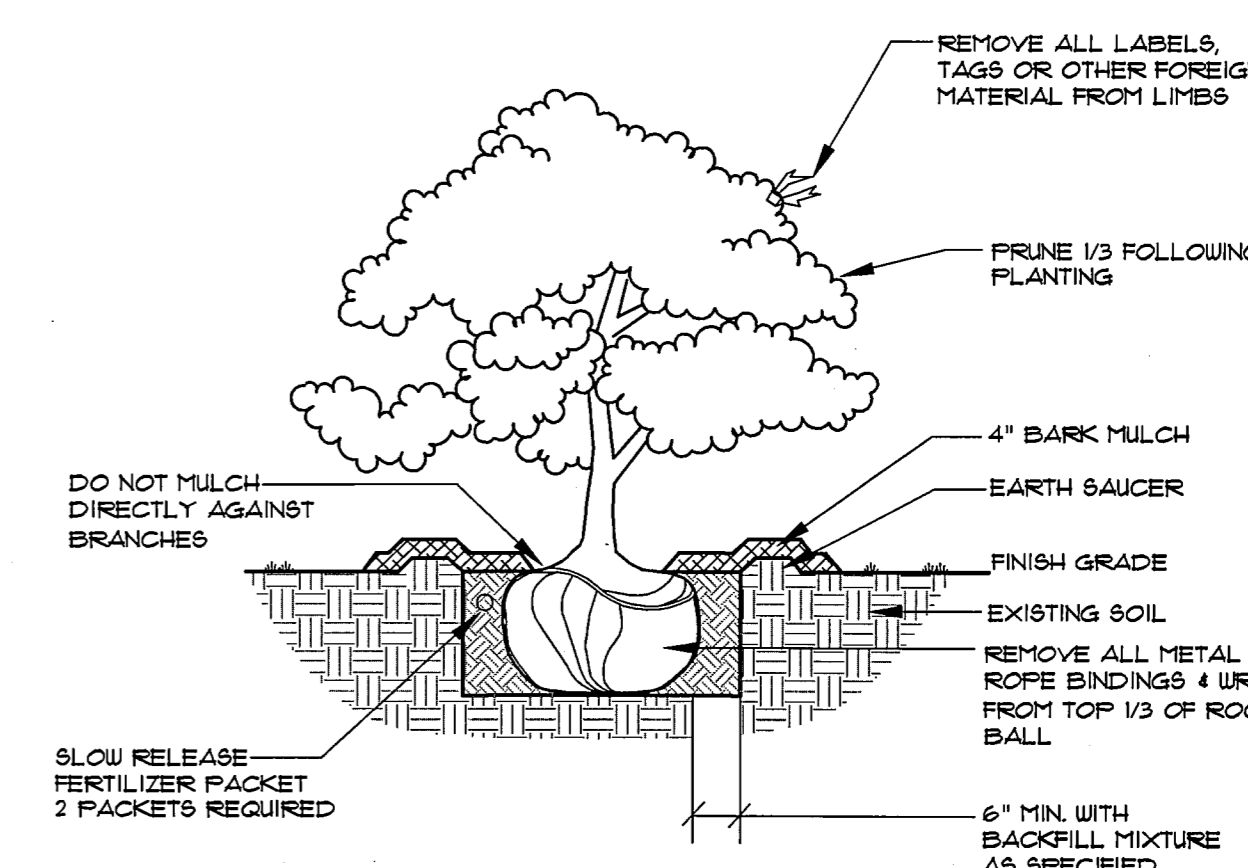
- NOTES:**
- INSTALL STAKES AND GUYS TO TREES IF THE FOLLOWING APPLY:
 - THE TREE IS OF SUBSTANTIAL SIZE.
 - THE PLANTING LOCATION IS EXTREMELY WINDY, AS ON OPEN UNDEVELOPED SITES.
 - THE PLANTING LOCATION IS COMPRISED OF SAND OR OTHER LOOSE TEXTURED SOILS.
 - IF STAKES AND GUYS ARE REQUIRED, REMOVE AFTER ONE YEAR TIME.

DECIDUOUS TREES 2" TO 4" CALIFER
NOT TO SCALE

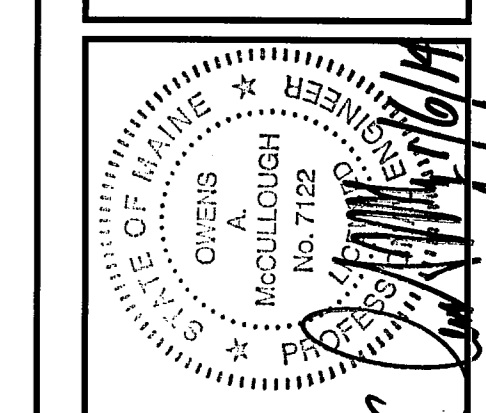


- NOTES:**
- INSTALL STAKES AND GUYS TO TREES IF THE FOLLOWING APPLY:
 - THE TREE IS OF SUBSTANTIAL SIZE.
 - THE PLANTING LOCATION IS EXTREMELY WINDY, AS ON OPEN UNDEVELOPED SITES.
 - THE PLANTING LOCATION IS COMPRISED OF SAND OR OTHER LOOSE TEXTURED SOILS.
 - IF STAKES AND GUYS ARE REQUIRED, REMOVE AFTER ONE YEAR TIME.

EVERGREEN TREES 1"-2" IN HEIGHT & UNDER
NOT TO SCALE



DECIDUOUS & EVERGREEN SHRUB
NOT TO SCALE



REV.	DATE	BY	STATUS
F	01-07-13	WTC	CITY SUBMITTAL 7
E	10-15-13	WTC	CITY SUBMITTAL 6
D	10-03-13	WTC	CITY SUBMITTAL 5
C	09-17-13	WTC	CITY SUBMITTAL 4
B	08-13-13	WTC	CITY SUBMITTAL 3
A	07-29-13	WTC	SUBMIT SITE PLAN APPLICATION TO CITY

THIS PLAN SHALL NOT BE MODIFIED OR ALTERED WITHOUT THE WRITTEN PERMISSION FROM SEBAGO TECHNICS, INC. ANY ALTERATIONS, AUTHORIZED OR OTHERWISE, SHALL BE AT THE USER'S SOLE RISK AND WITHOUT LIABILITY TO SEBAGO TECHNICS, INC.

SEBAGO TECHNICS
WWW.SEAGOTECHNICS.COM
75 John Roberts Rd. - Suite 1A
South Portland, ME 04106
Tel: 207-288-2100

PROJECT NO. 13251
DESIGN: WTC
CHKD: WTC
DRAWN: MAL

DETAILS OF:
SEAPORT LOFTS
NEWBURY/HANCOCK STREET
PORTLAND, MAINE
FOR:
113 NEWBURY STREET, LLC
35 FAY STREET, SUITE 107B
BOSTON, MA 02118-4320

DATE: 07-26-13
SCALE: AS SHOWN

SHEET 13 OF 14