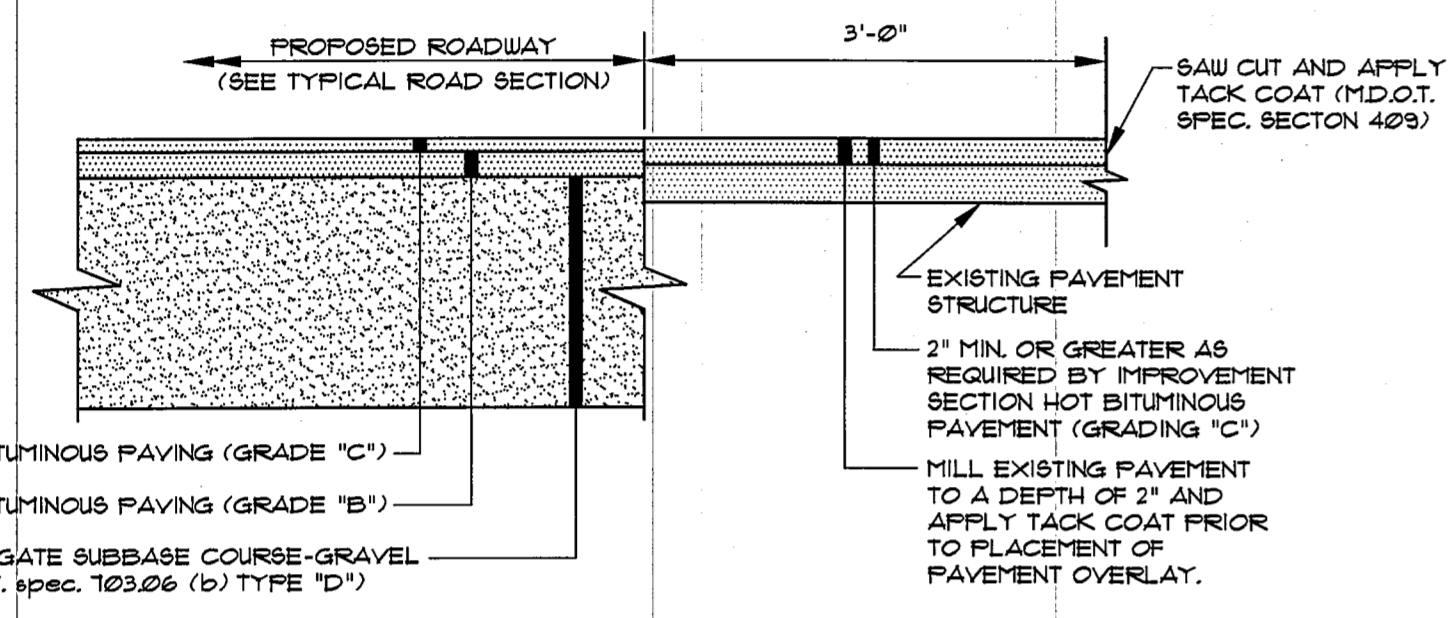
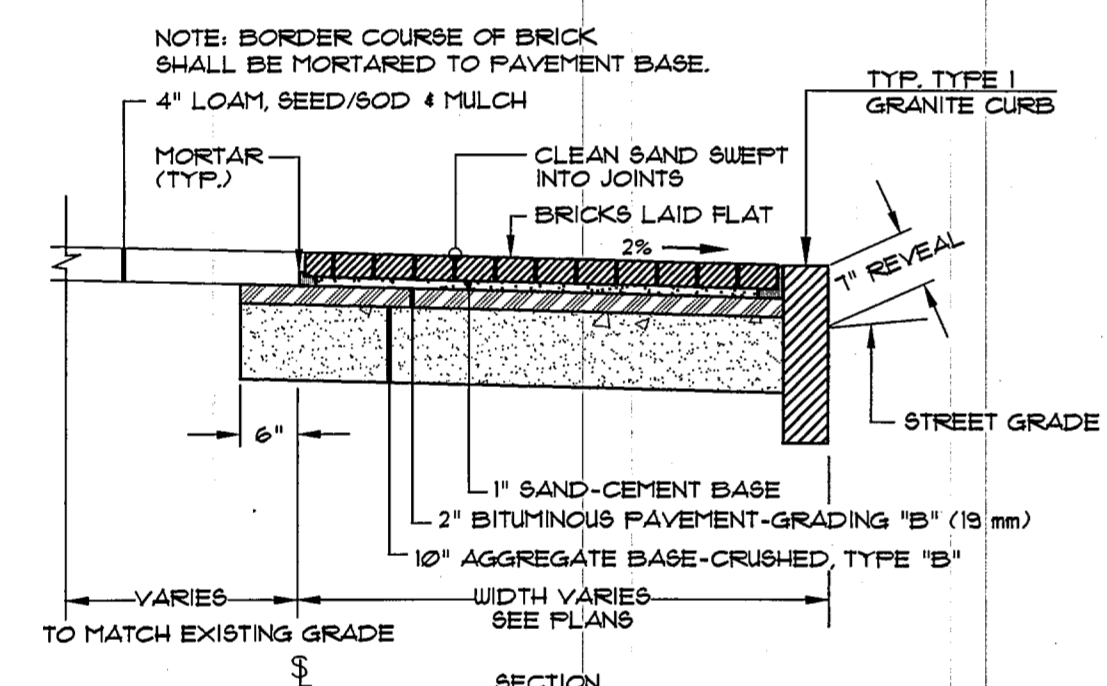


NOTES:
 1. COMPACT GRAVEL SUBBASE, BASE COURSE TO 92% OF MAXIMUM DENSITY USING HEAVY ROLLER COMPACTION.
 2. CONTRACTOR SHALL SET GRADE STAKES MARKING SUBBASE AND FINISH GRADE ELEVATIONS FOR CONSTRUCTION REFERENCE.

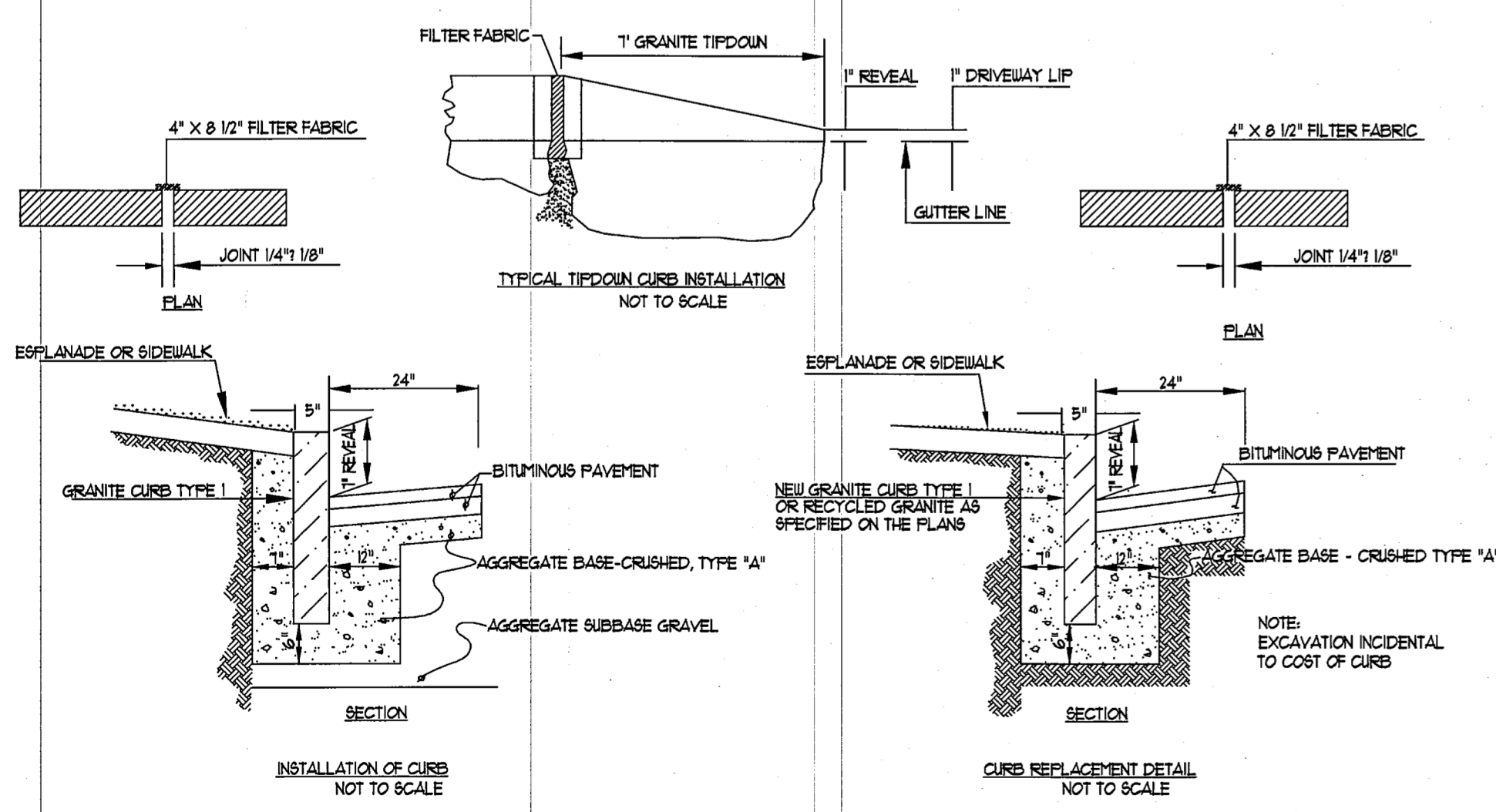
TYP. PAVED DRIVEWAY SECTION
 NOT TO SCALE



PAVEMENT SAW CUT DETAIL
 NOT TO SCALE

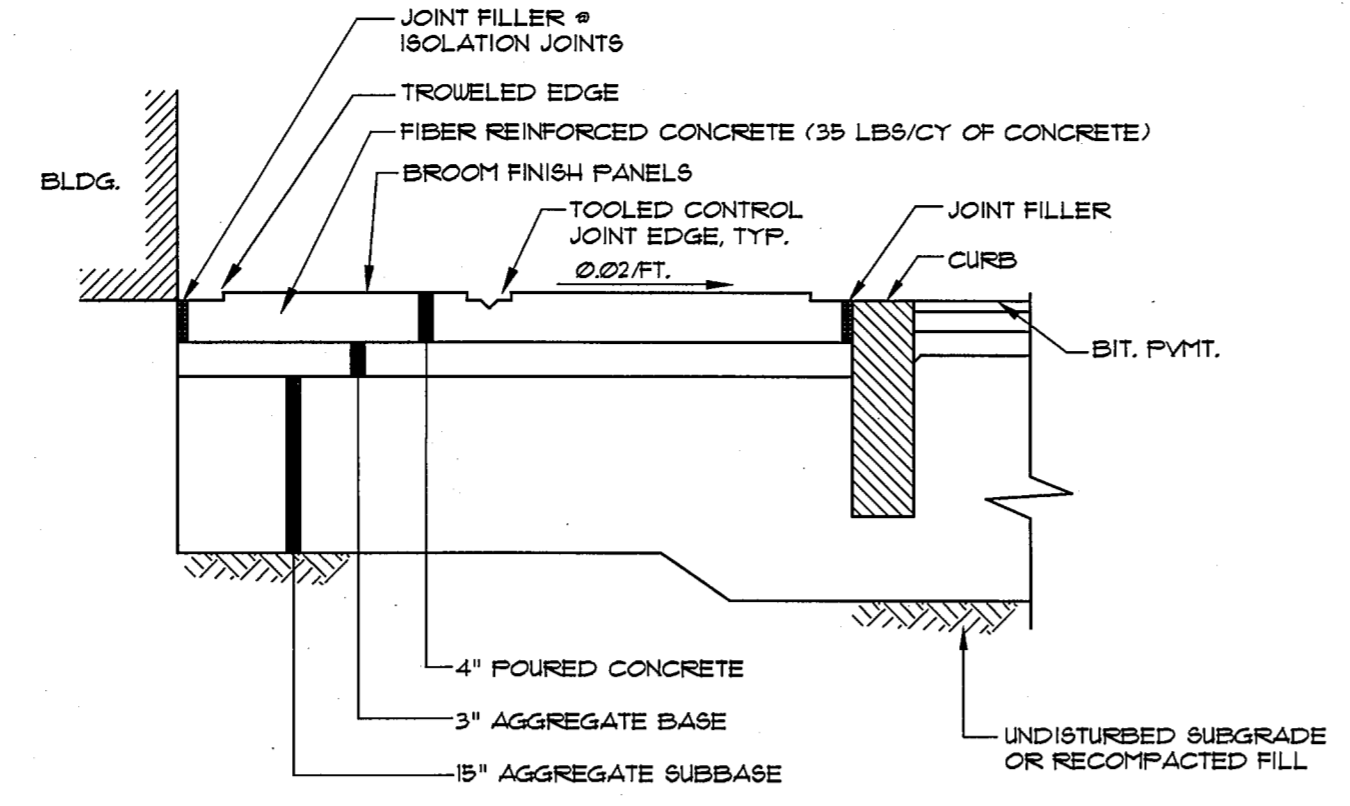


BRICK SIDEWALK DETAIL
 NOT TO SCALE



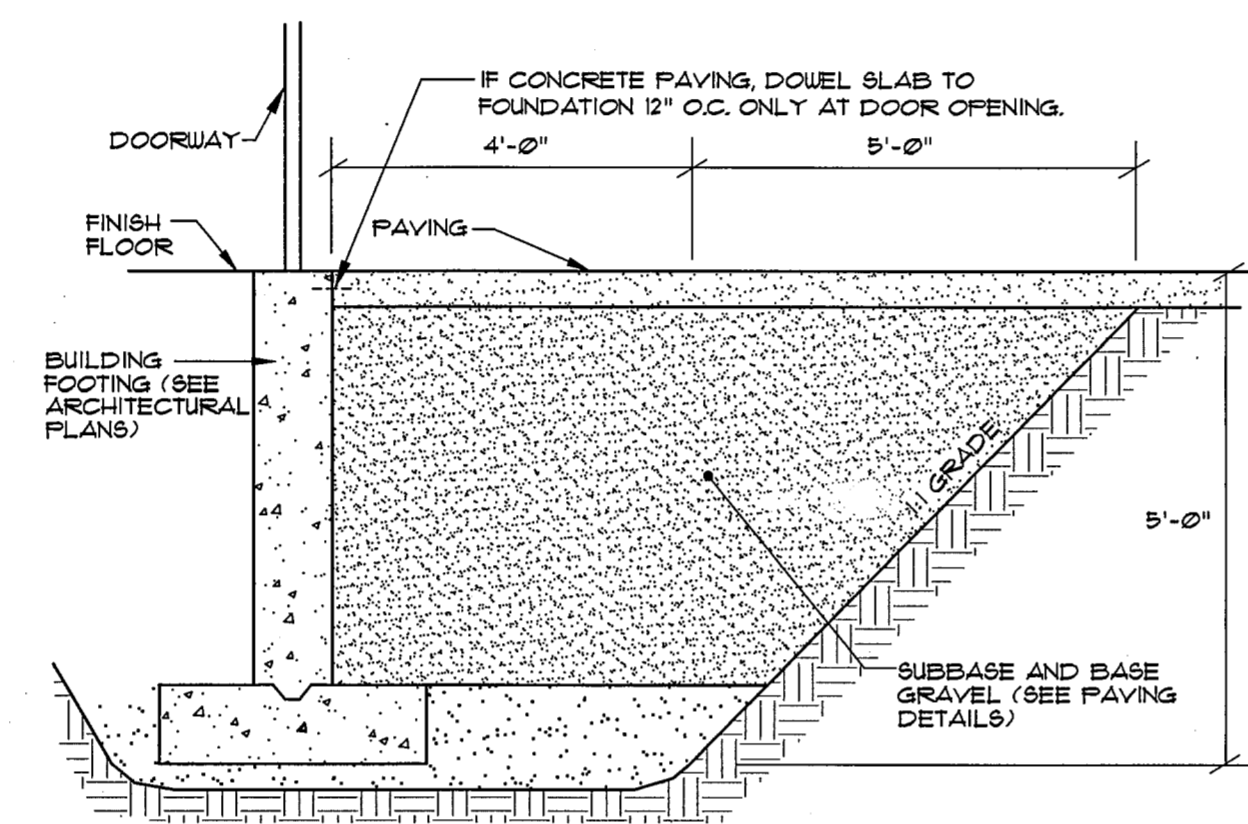
NOTE: NO GRANITE CURB SECTIONS SHALL BE INSTALLED LESS THAN 4 FT. IN LENGTH.

INSTALLATION OF CURB, TYPE I
 NOT TO SCALE

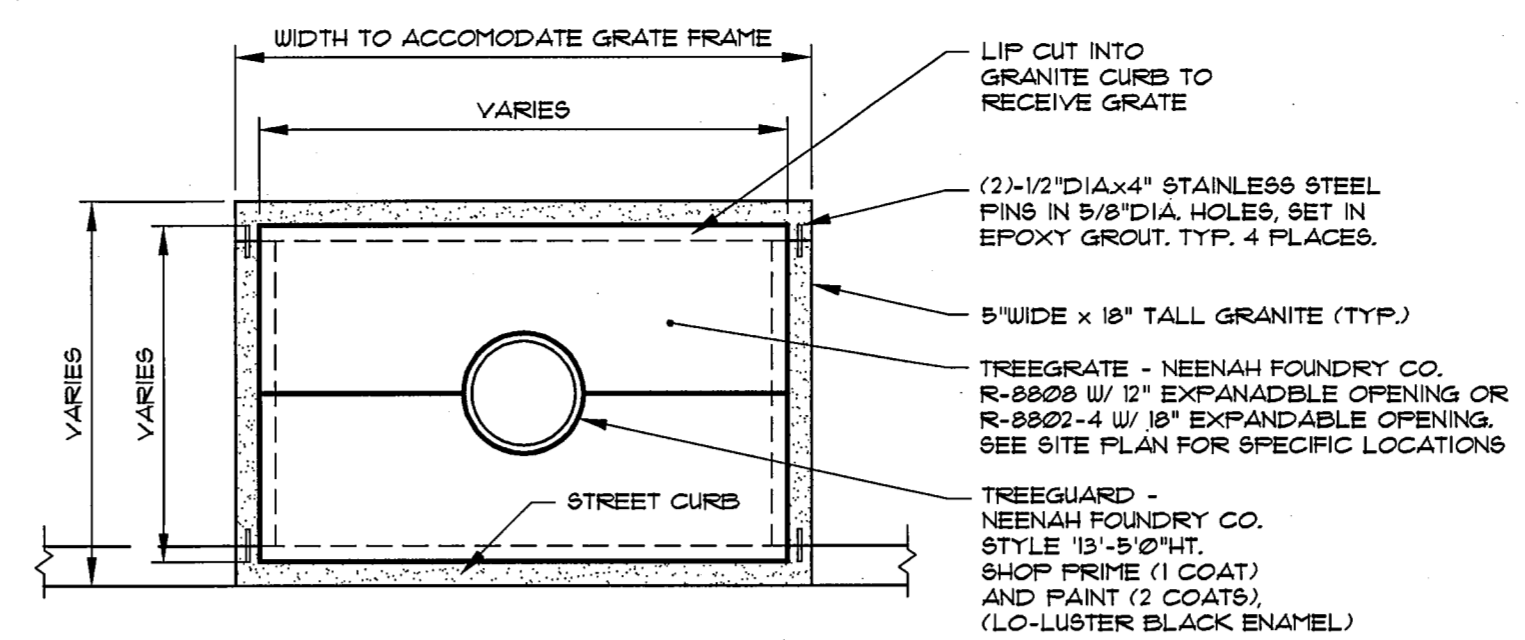


NOTE:
 1. INSTALL 4.5' DEEP SELECT FILL BELOW ENTRANCE SIDEWALKS AT BUILDING (OR TO DEPTH OF SOUND, INTACT BEDROCK).
 2. CONCRETE SHALL HAVE AN $F_c = 4500$ PSI AND SHALL RECEIVE 2 COATS OF WATER PENETRATING SEALANT.

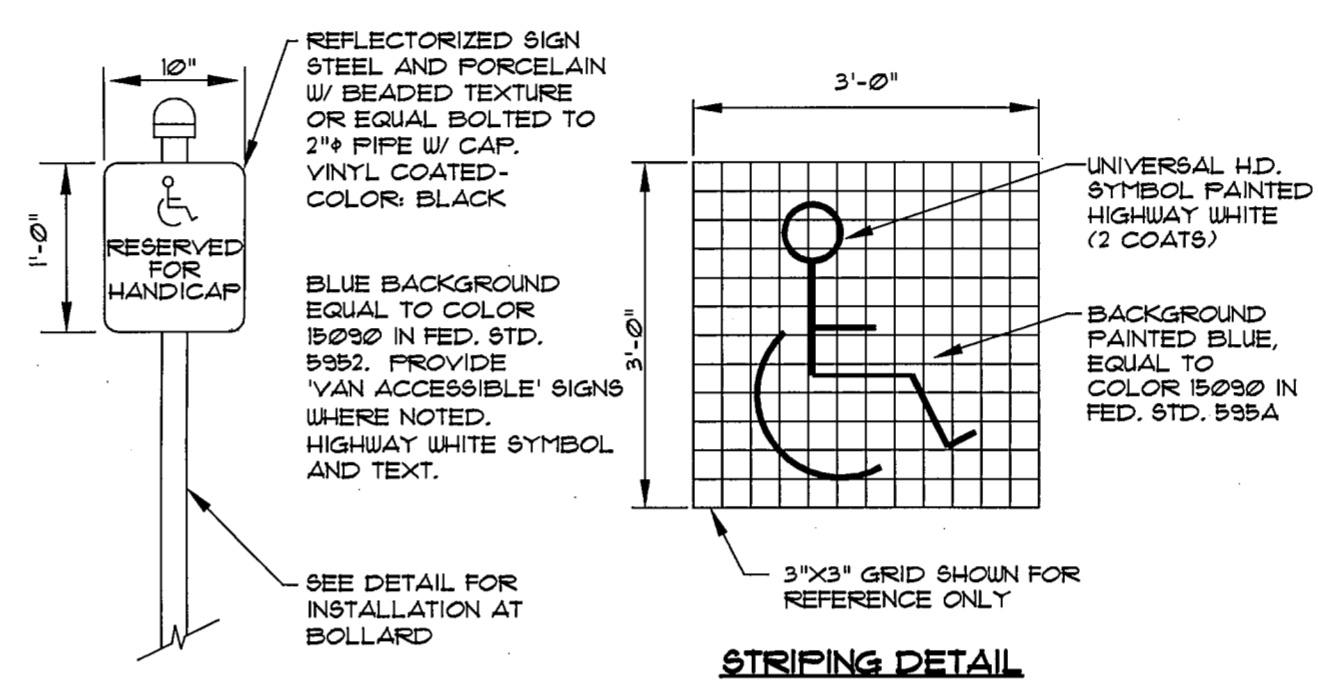
CONCRETE PAVING
 NOT TO SCALE



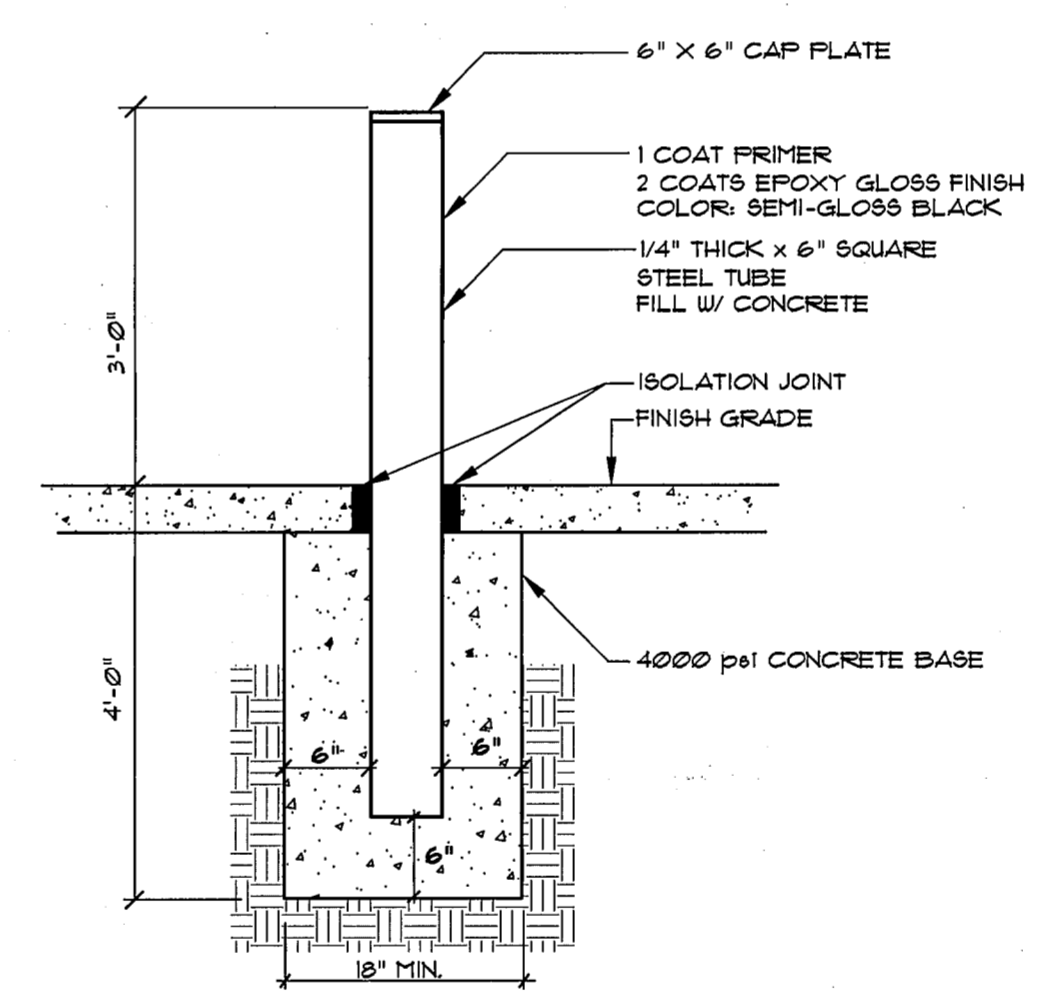
5' GRANULAR BASE @ DOOR THRESHOLD
 NOT TO SCALE



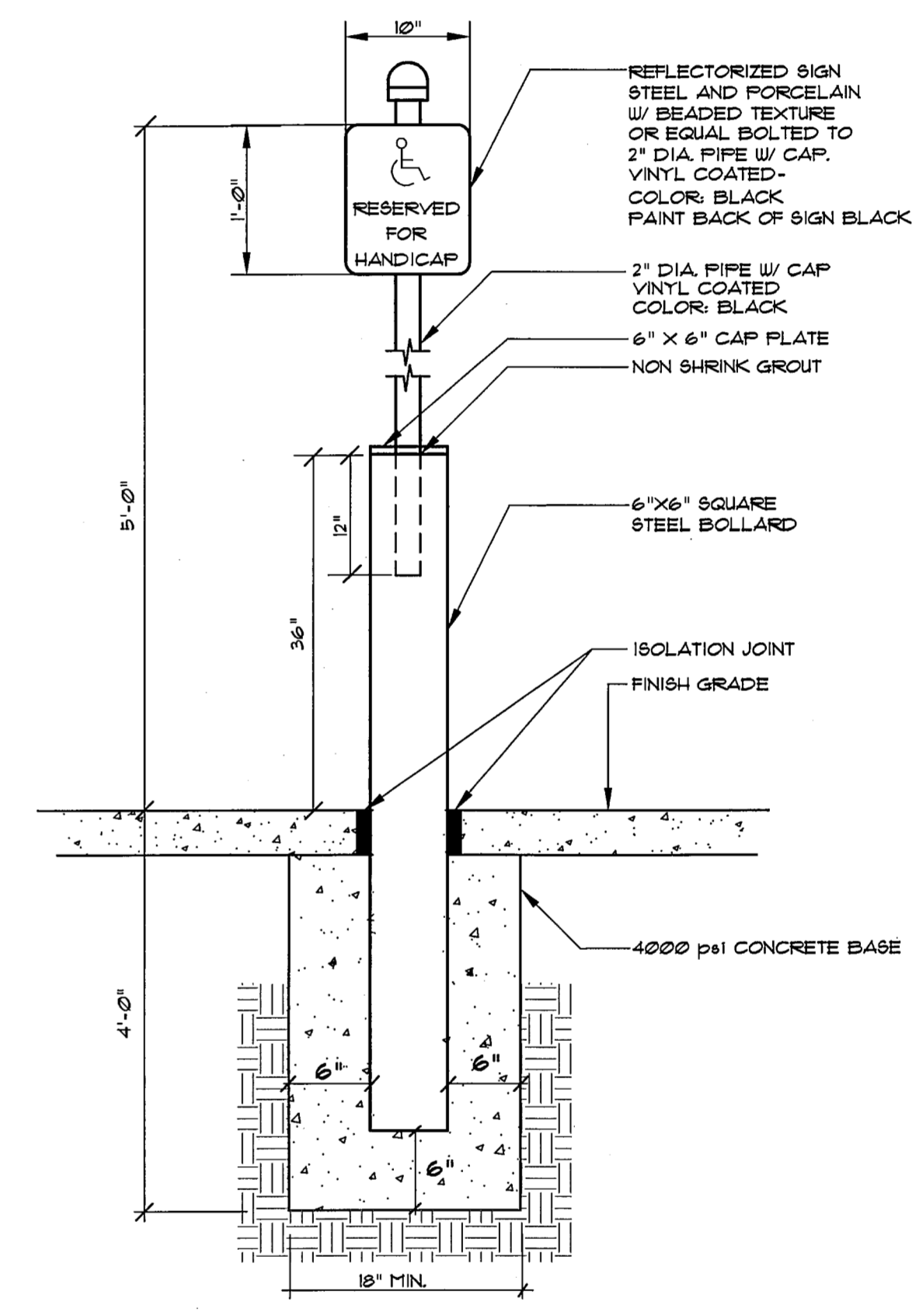
TREE GRATE DETAIL
 NOT TO SCALE



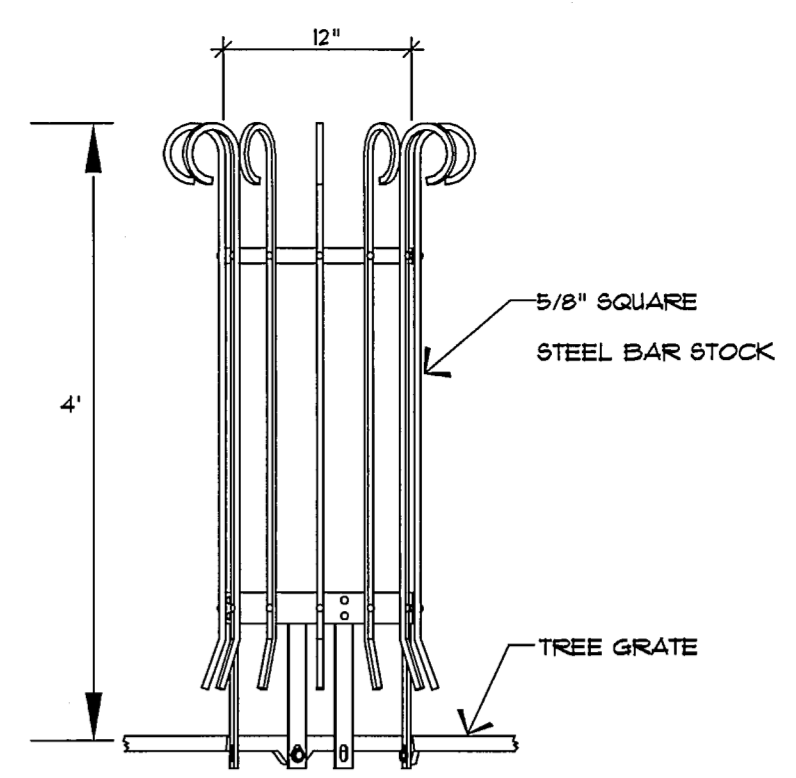
HANDICAP SIGNS AND STRIPING
 NOT TO SCALE



STEEL BOLLARD
 NOT TO SCALE

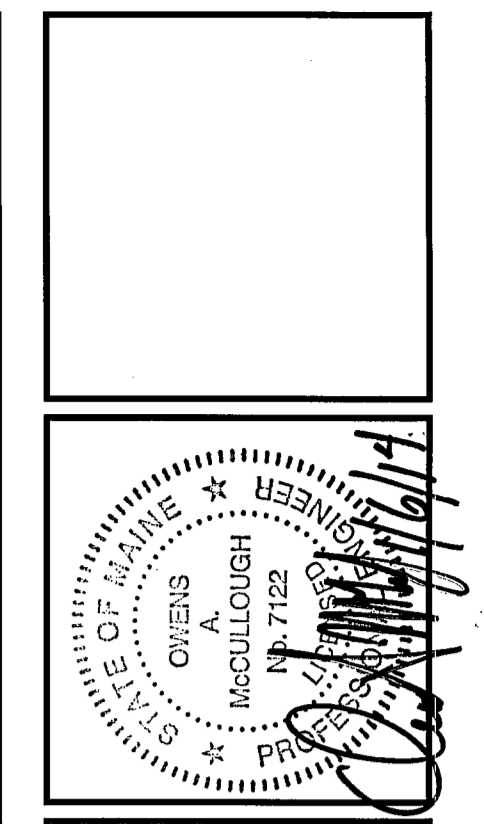


STEEL BOLLARD MOUNTED SIGN
 NOT TO SCALE



MATERIAL: ALL HOT ROLLED MILD STEEL
FINISH: PAINTED WITH ONE COAT L.O-LUSTRE BLACK ENAMEL
 Neenah Foundry Co. (nfcocom), Item: Type A, L4, 12" opening.

TYPICAL TREE GUARD
 NOT TO SCALE



REV:	DATE:	BY:	STATUS:	REVISIONS FROM SEBAGO TECHNICS, INC. ANY ALTERATIONS AUTHORIZED OR OTHERWISE SHALL BE IN THE USER'S SOLE RISK AND WITHOUT LIABILITY TO SEBAGO TECHNICS, INC.
F	01-07-13	WTC	CITY SUBMITTAL 7	
E	10-15-13	WTC	CITY SUBMITTALS 6	
D	10-03-13	WTC	CITY SUBMITTALS 5	
C	09-17-13	WTC	CITY SUBMITTALS 4	
B	09-03-13	WTC	CITY SUBMITTALS 3	
A	07-29-13	WTC	SUBMIT SITE PLAN APPLICATION TO CITY	

SEBAGO
 TECHNICAL SERVICES
 75 John Roberts Rd., Suite 101
 South Portland, ME 04106
 Tel: 207-260-2100
 Fax: 207-733-6566

PROJECT NO. 13251
 FIELD BOOK DESIGN CHKD DRAWN
 WTC WTC WTC MAL

DETAILS
 OF:
SEAPORT LOFTS
 NEWBURY / HANCOCK STREET
 PORTLAND, MAINE
 FOR:
113 NEWBURY STREET, LLC
 35 FAY STREET, SUITE 107B
 BOSTON, MA 02118-4320

DATE: 07-26-13
 SCALE: AS SHOWN

SHEET 11 OF 14