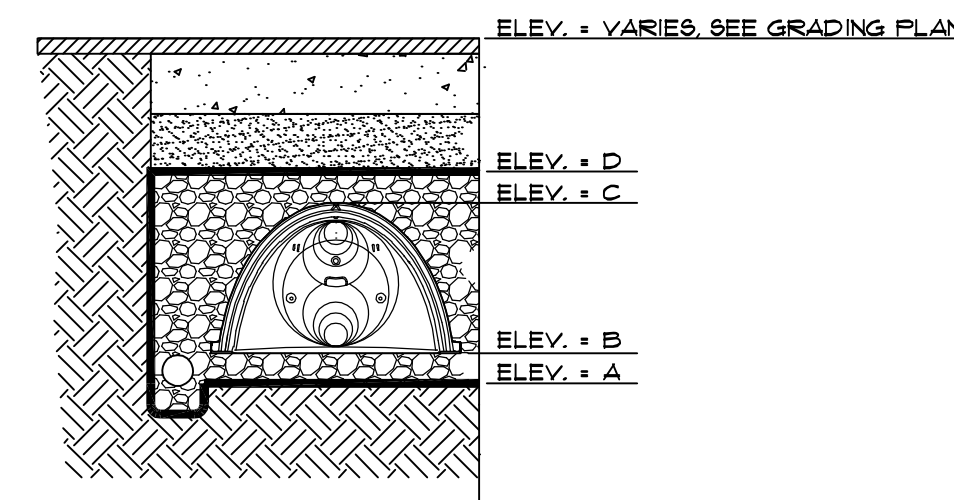


- NOTES:**
- ALL DESIGN SPECIFICATIONS FOR STORMTECH CHAMBERS SHALL BE IN ACCORDANCE WITH THE STORMTECH DESIGN MANUAL.
 - THE INSTALLATION OF STORMTECH CHAMBERS SHALL BE IN ACCORDANCE WITH THE LATEST STORMTECH INSTALLATION INSTRUCTIONS.
 - THE CONTRACTOR IS ADVISED TO REVIEW AND UNDERSTAND THE INSTALLATION INSTRUCTIONS PRIOR TO BEGINNING SYSTEM INSTALLATION. CALL 1-888-892-2694 OR VISIT WWW.STORMTECH.COM TO RECEIVE A COPY OF THE LATEST STORMTECH INSTALLATION INSTRUCTIONS.
 - CONTACT DESIGN ENGINEER PRIOR TO INSTALLATION OF UNDERDRAIN AND STORMTECH SYSTEM.

**STORMTECH 3C-140 CHAMBER SYSTEM
OPTIONAL INSPECTION PORT DETAIL**

NOT TO SCALE

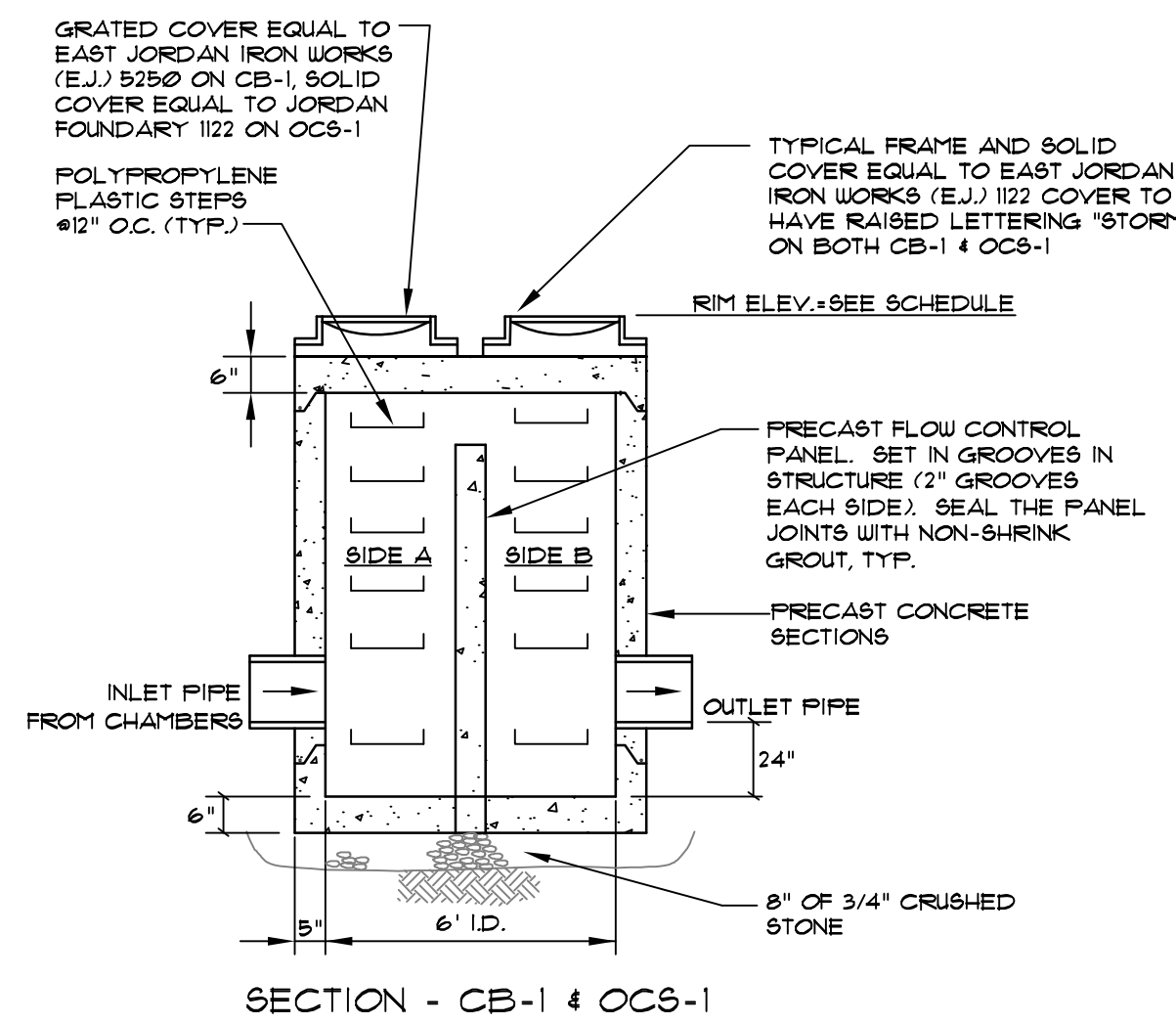
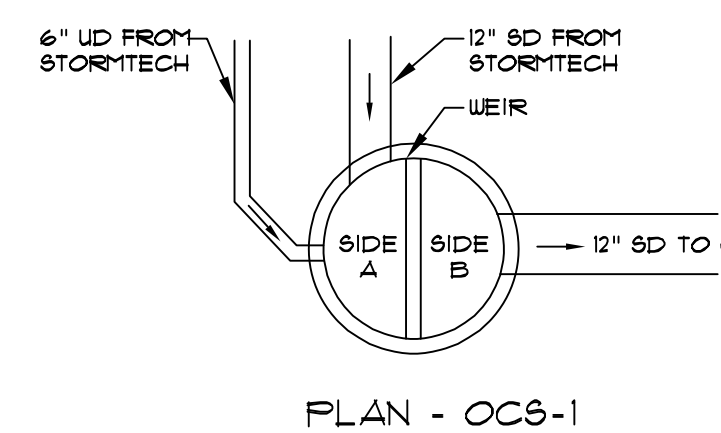
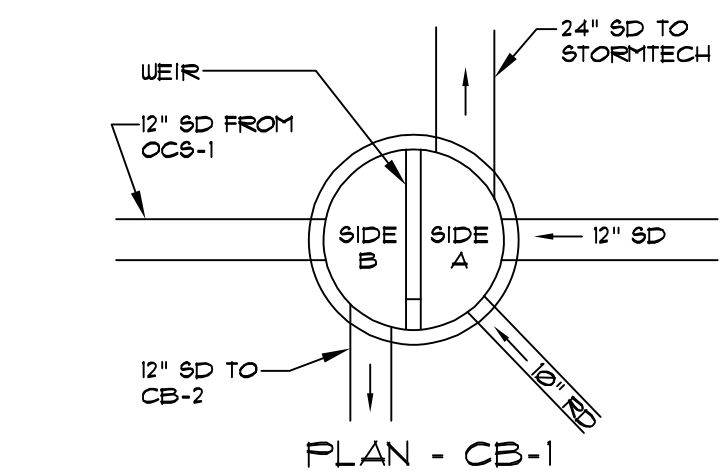


STORMTECH ELEVATIONS				
ST-1	A	B	C	D
	34.05	34.55	31.05	31.55

NOTE: A IS THE ELEVATION OF THE BOTTOM OF STONE AND THE INVERT OF THE 6" UNDERDRAIN

STORMTECH 3C-140 CHAMBER SYSTEM

NOT TO SCALE



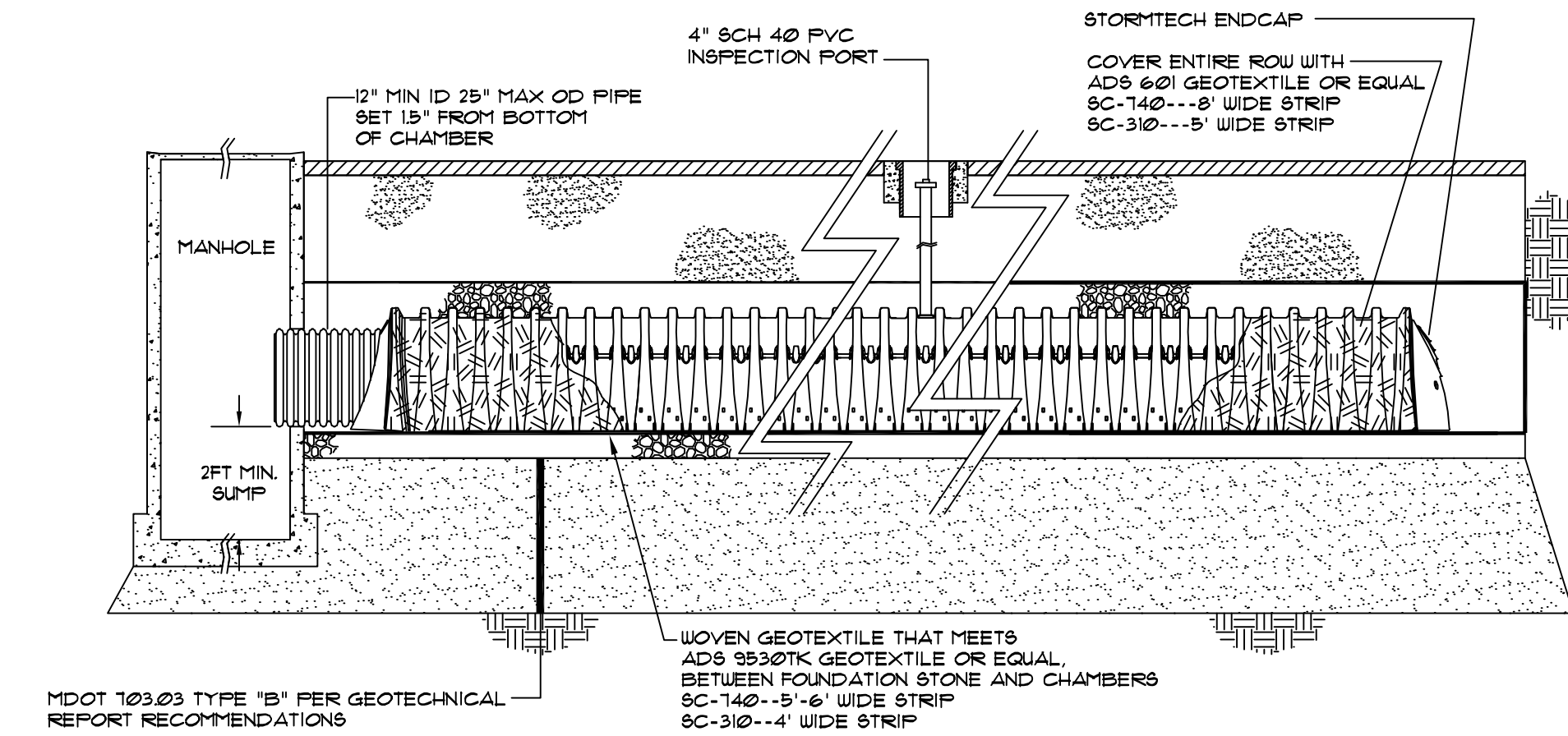
OUTLET CONTROL STRUCTURE (OCS) FOR ST-1

NOT TO SCALE

- NOTE:
- SUBMIT SHOP DRAWINGS FOR OWNER/ENGINEER APPROVAL.
 - STRUCTURE SHALL BE DESIGNED FOR 4-20 LOADING.

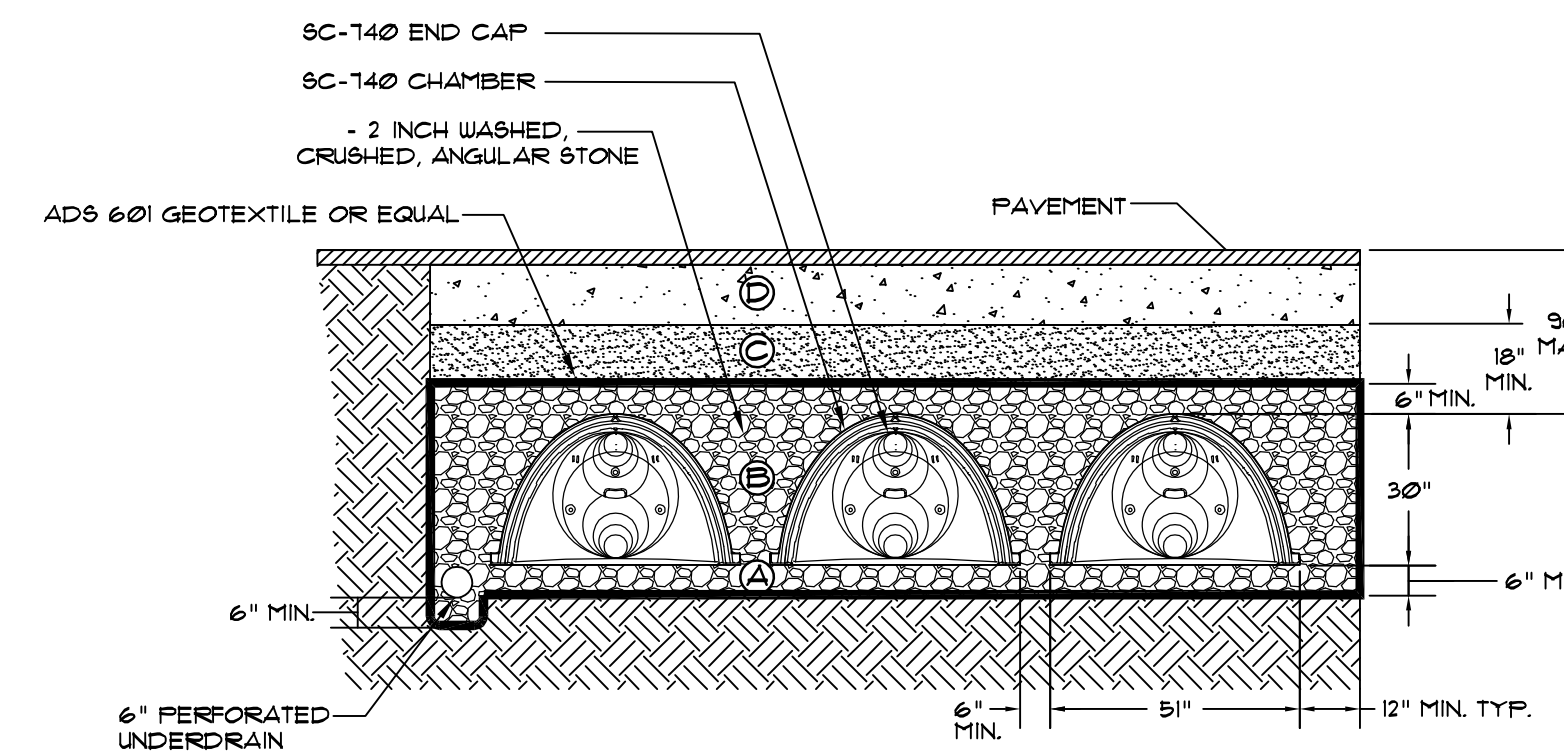
OUTLET CONTROL STRUCTURE SCHEDULE

RIM ELEV.	SIDE A		SIDE B		WEIR ELEV.
	INV. IN	INV. OUT	INV. IN	INV. OUT	
CB-1	33.15	34.80 (12"SD)	34.70 (12"SD)	33.75 (12"SD)	31.00
		33.20 (10"SD) TO STORMTECH		33.50 (12"SD)	
OCS-1	33.55	34.05 (6"ID) ORFICE		33.30 (12"SD)	36.50
		34.40 (12"SD)			



STORMTECH ISOLATOR™ ROW PROFILE VIEW DETAIL

NOT TO SCALE



COMPACTION/DENSITY REQUIREMENTS:

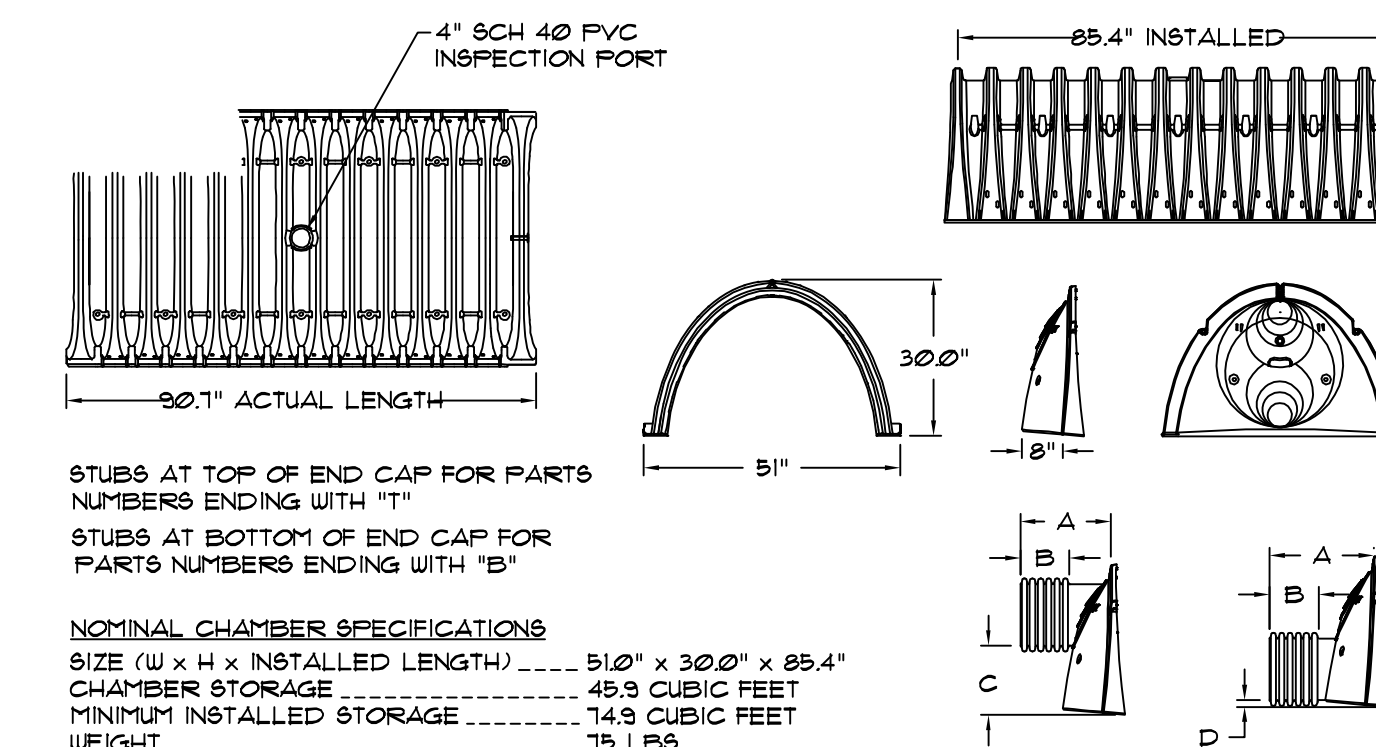
- WASHED, ANGULAR STONE WITH THE MAJORITY OF PARTICLES BETWEEN 3/4" - 2". PLATE COMPACT OR ROLL TO ACHIEVE A 95% STANDARD PROCTOR DENSITY. NO COMPACTION REQUIRED.
- WASHED, ANGULAR STONE WITH THE MAJORITY OF PARTICLES BETWEEN 3/4" - 2". NO COMPACTION REQUIRED.
- GRANULAR WELL-GRADED SOIL/AGGREGATE MIXTURES <35% FINES. COMPACT IN 6" LIFTS TO A MINIMUM 95% STANDARD PROCTOR DENSITY. ROLLER GROSS VEHICLE WEIGHT NOT TO EXCEED 12,000 POUNDS.
- ANY SOIL/ROCK MATERIALS, NATIVE SOILS OR PER ENGINEER'S PLANS. CHECK PLANS FOR PAVEMENT SUBGRADE REQUIREMENTS. PREPARE PER ENGINEER'S PLANS.

MEDOT SPECIFICATIONS FOR UNDERDRAINS (MEDOT #103.22)

SIEVE SIZE	% BY WEIGHT
UNDERDRAIN TYPE B	
1"	90-100
1/2"	15-100
4"	90-100
20"	5-80
40"	0-15
100"	0-5
UNDERDRAIN TYPE C	
1"	100
3/4"	90-100
3/8"	0-15
4"	0-25
10"	0-5

**STORMTECH 3C-140 CHAMBER SYSTEM
TYPICAL CROSS SECTION DETAIL**

NOT TO SCALE



STUBS AT TOP OF END CAP FOR PARTS NUMBERS ENDING WITH '1'

STUBS AT BOTTOM OF END CAP FOR PARTS NUMBERS ENDING WITH 'B'

NOMINAL CHAMBER SPECIFICATIONS
 SIZE (W x H x INSTALLED LENGTH) 51.0" x 30.0" x 25.4"
 CHAMBER STORAGE 45.3 CUBIC FEET
 MINIMUM INSTALLED STORAGE 14.9 CUBIC FEET
 WEIGHT 15 LBS.

PART #	CHAMBER	PIPE SIZE	A	B	C	D
3C140EPE12B	3C 140	15 in (375 mm)	19.30 in (490 mm)	10.30 in (262 mm)	10.5	26.7 in (30 mm)
3C140EPE24B	3C 140	24 in (600 mm)	18.50 in (470 mm)	9.45 in (240 mm)	N/A	20.10 in (3 mm)

NOTE: ALL DIMENSIONS ARE NOMINAL
 ALL STUBS, EXCEPT FOR THE 3C140EPE12B AND 3C140EPE24B ARE PLACED AT BOTTOM OF END CAP SUCH THAT THE OUTSIDE DIAMETER OF THE STUB IS FLUSH WITH THE BOTTOM OF THE END CAP.
 * FOR THE 3C140EPE12B THE 12" STUB LIES BELOW THE BOTTOM OF THE END CAP APPROXIMATELY 0.25". FOR THE 3C140EPE24B THE 24" STUB LIES BELOW THE BOTTOM OF THE END CAP APPROXIMATELY 1.75". BACKFILL MATERIAL SHOULD BE REMOVED FROM BELOW THE N-12 STUB SO THAT THE FITTING SETS LEVEL.

**STORMTECH 3C-140 CHAMBER
TECHNICAL SPECIFICATIONS**

NOT TO SCALE

PRICING SET 1 AUGUST 6, 2014	08-06-14	J	WTC
ADDRESS COMMENTS PER WILLIAM CLARKE E-MAIL DATED 07-10-14	07-22-14	I	WTC
CITY SUBMITTAL 8	06-20-14	H	WTC
FOUNDATION PERMIT SET	06-12-14	G	WTC
CITY SUBMITTAL 7	01-07-13	F	WTC
CITY SUBMITTAL 6	10-15-13	E	WTC
CITY SUBMITTAL 5	10-03-13	D	WTC
STATUS:	DATE:	BY:	

SEBAGO TECHNICALS
 WWW.SEAGOTECHNICALS.COM
 75 John Roberts Rd., Suite 1A - 250 Gardard Rd., Suite B
 South Portland, ME 04106
 Tel: 207-282-2100
 Fax: 207-783-5866

PROJECT NO. 13251
 FIELD BOOK
 DESIGN
 CHKD
 DRAWN
 WTC
 WTC
 MAL

DETAILS OF:
SEAPORT LOFTS
 NEWBURY/HANCOCK STREET
 PORTLAND, MAINE
 FOR:
113 NEWBURY STREET, LLC
 35 FAY STREET, SUITE 107B
 BOSTON, MA 02118-4320

DATE: 07-26-13
 SCALE: AS SHOWN

SHEET 12 OF 12