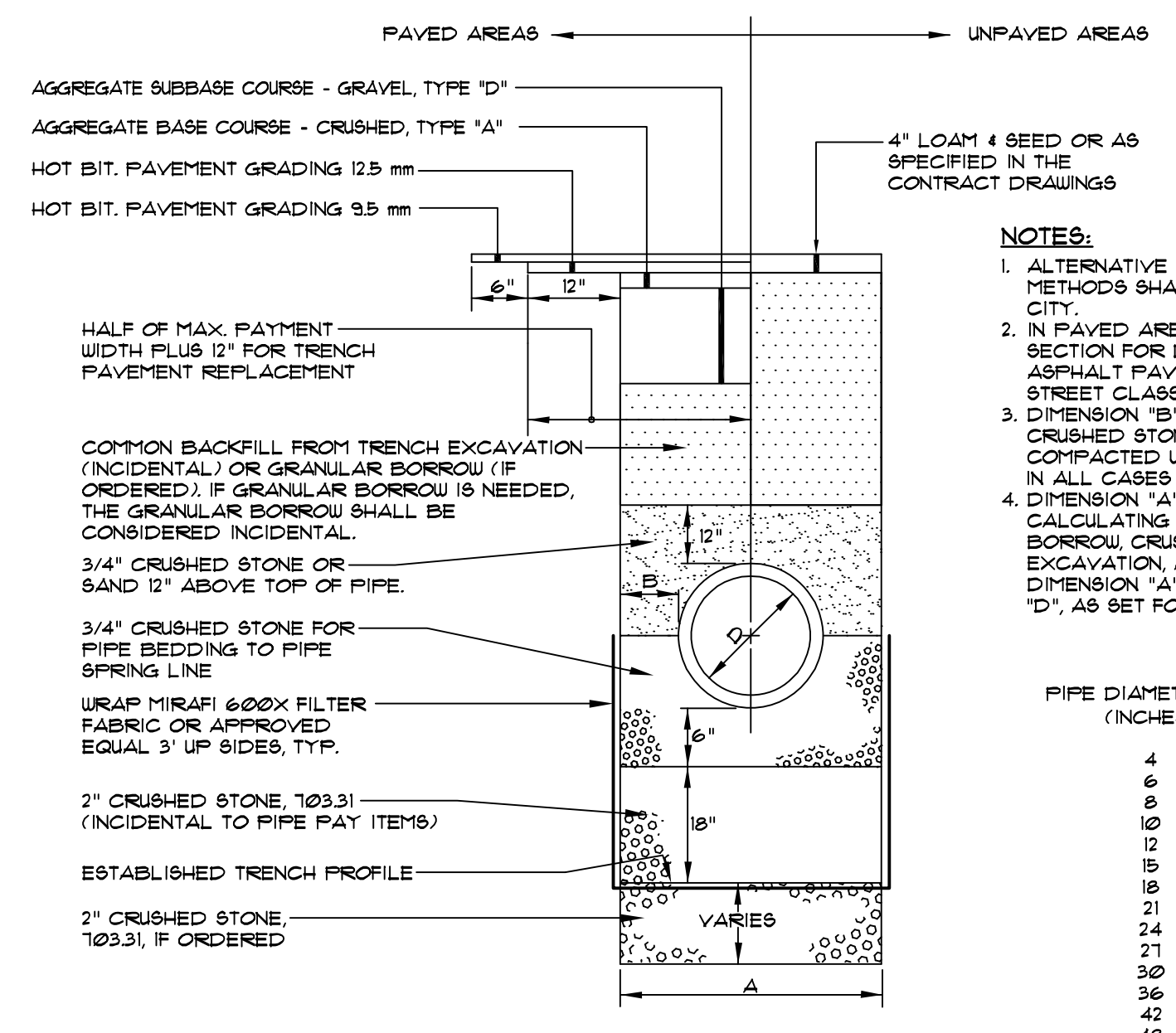
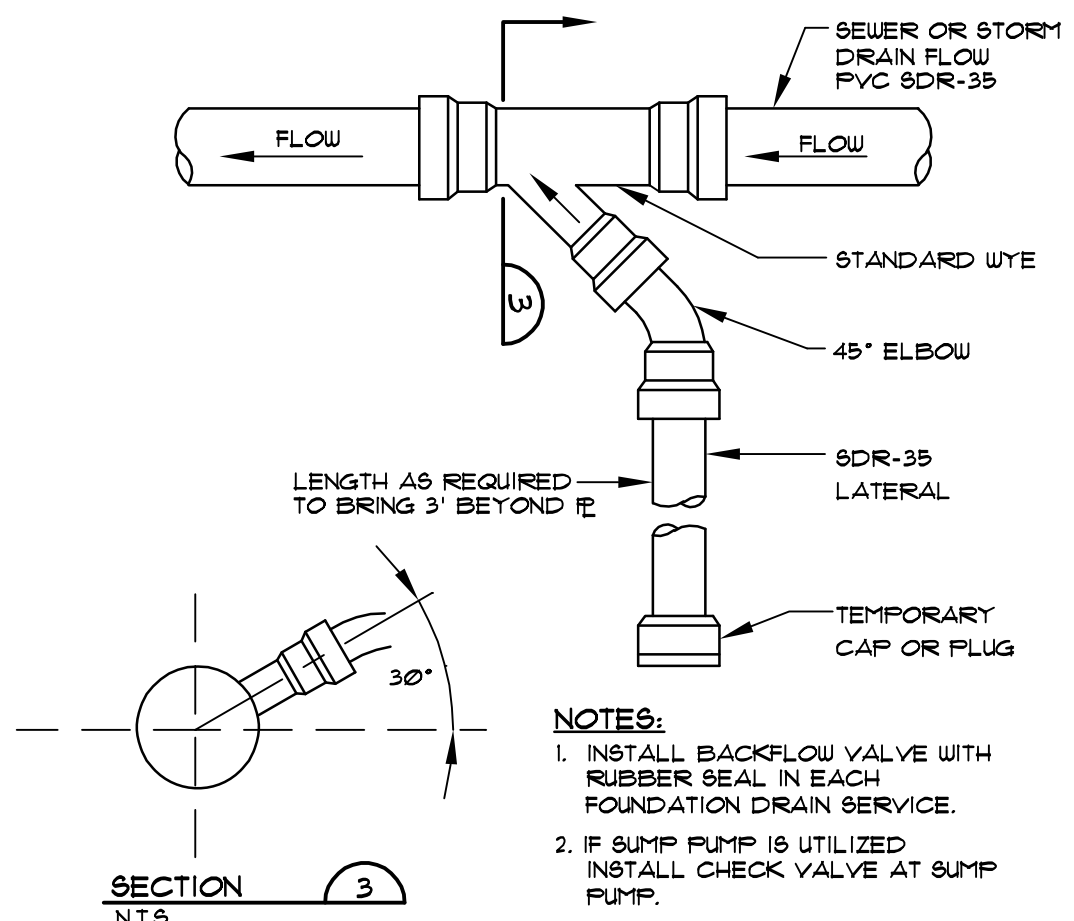


TYPICAL LIGHT POLE BASE
NOT TO SCALE

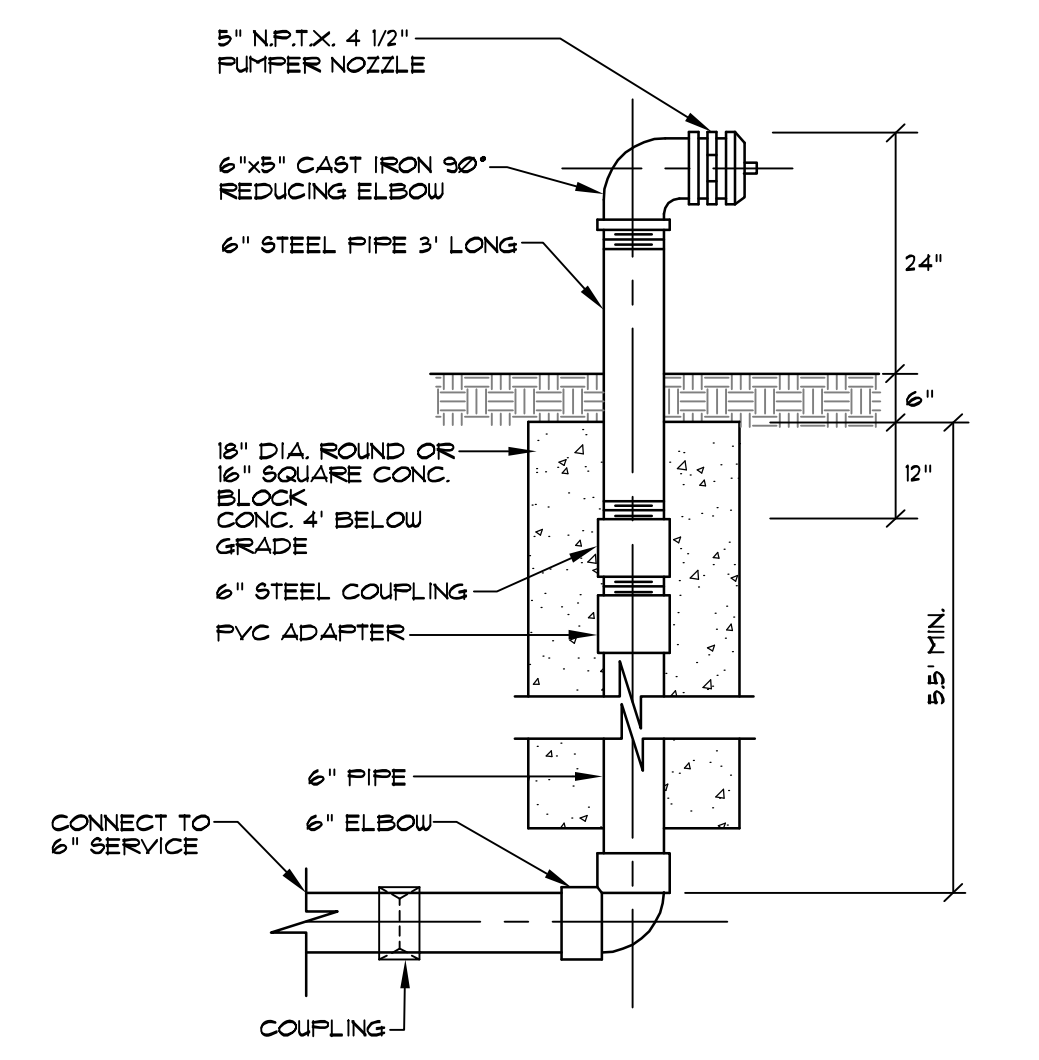


TYPICAL PIPE INSTALLATION DETAIL
NOT TO SCALE

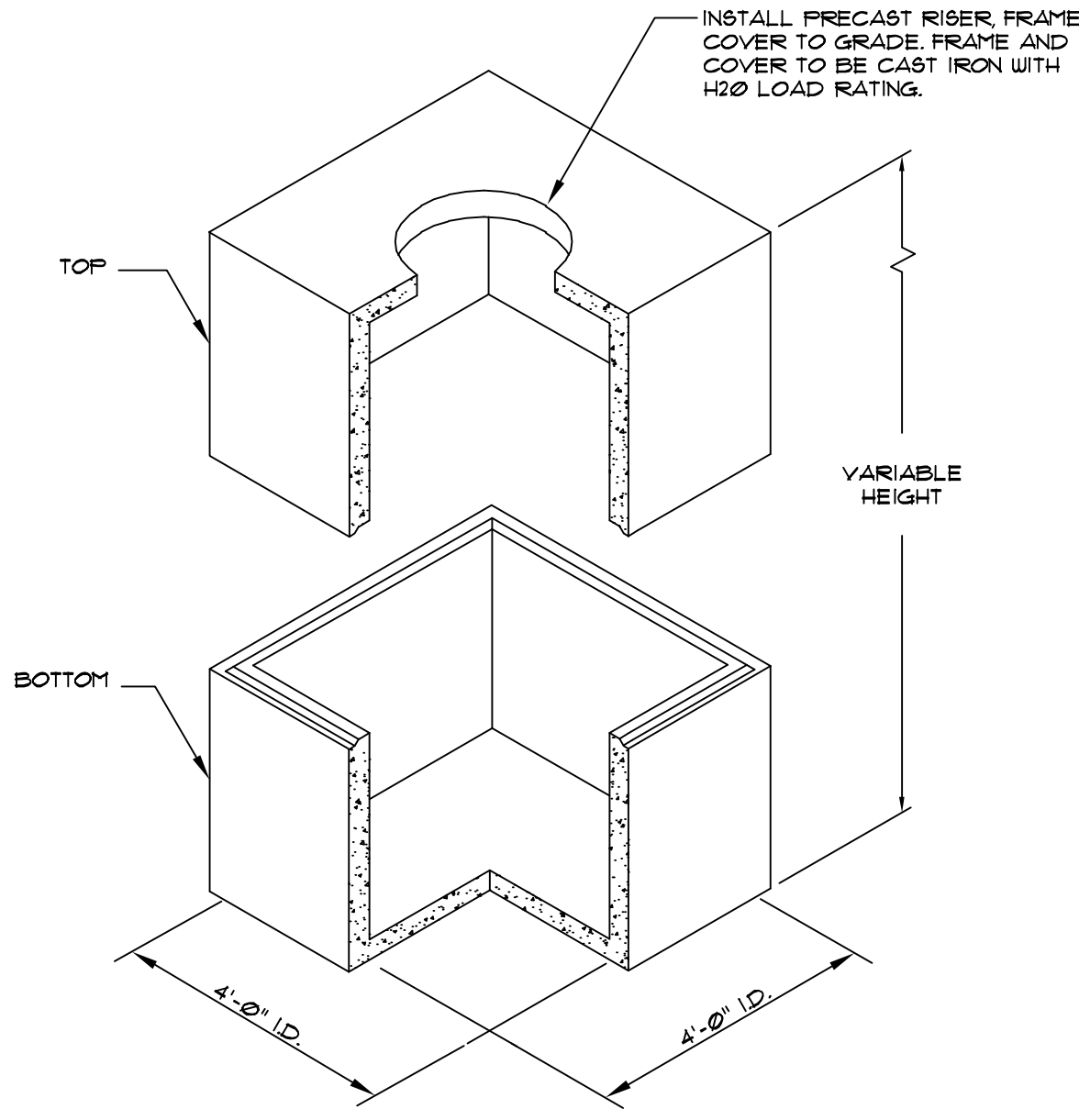
PIPE DIAMETER, "D" (INCHES)	MAX. TRENCH WIDTH, "A" (FEET)
4	4.0
6	4.0
8	4.0
10	4.0
12	4.0
15	5.0
18	5.0
21	5.5
24	6.0
27	6.0
30	6.0
36	7.0
42	8.0
48	9.0



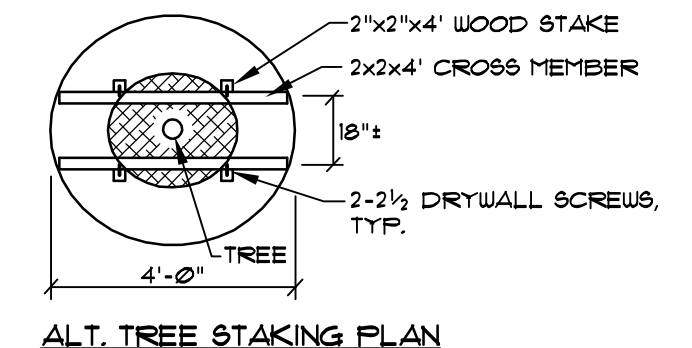
SEWER / FOUNDATION DRAIN SERVICE CONNECTION
NOT TO SCALE



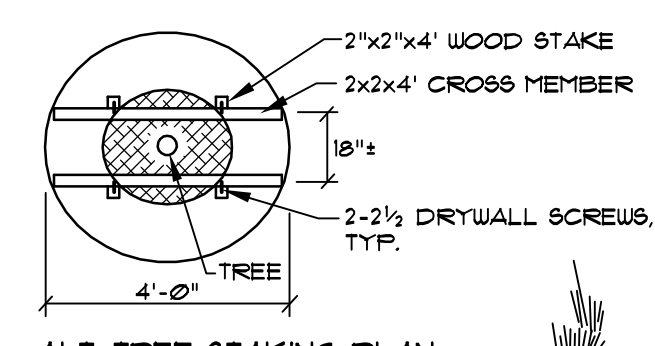
FIRE PROTECTION STAND PIPE
NOT TO SCALE



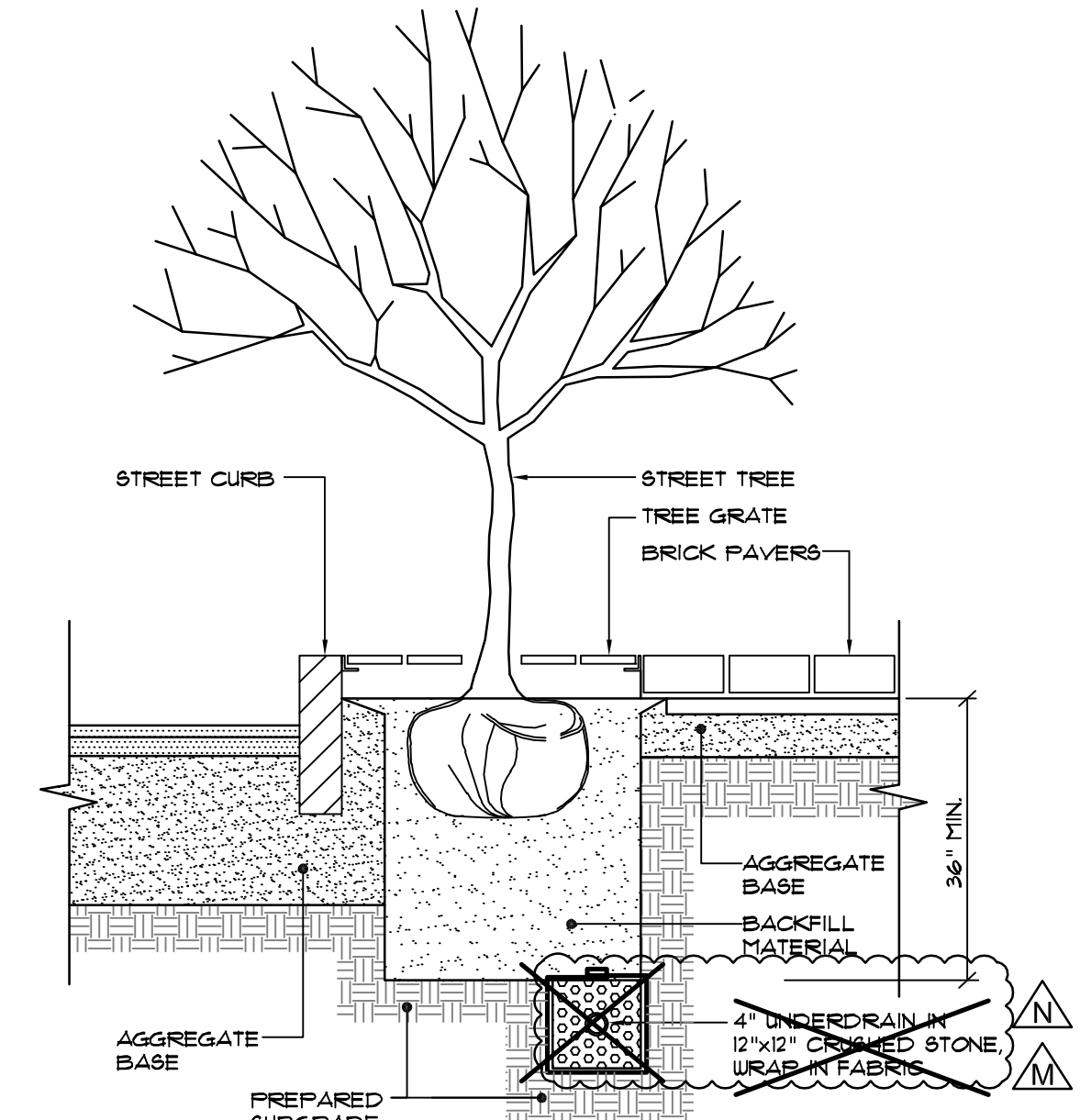
UTILITY MANHOLE
NOT TO SCALE



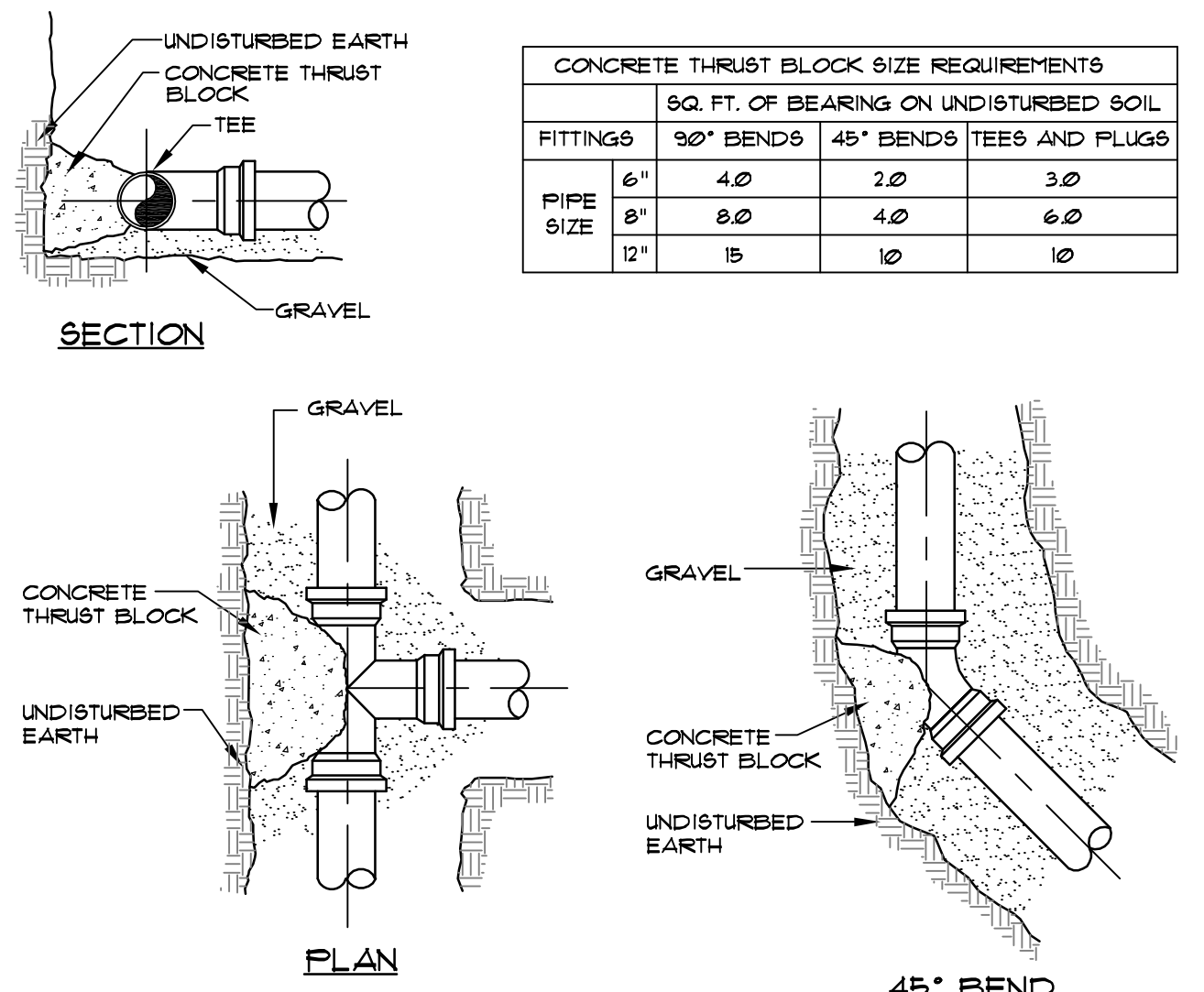
ALT. TREE STAKING PLAN
NOT TO SCALE



ALT. TREE STAKING PLAN
NOT TO SCALE

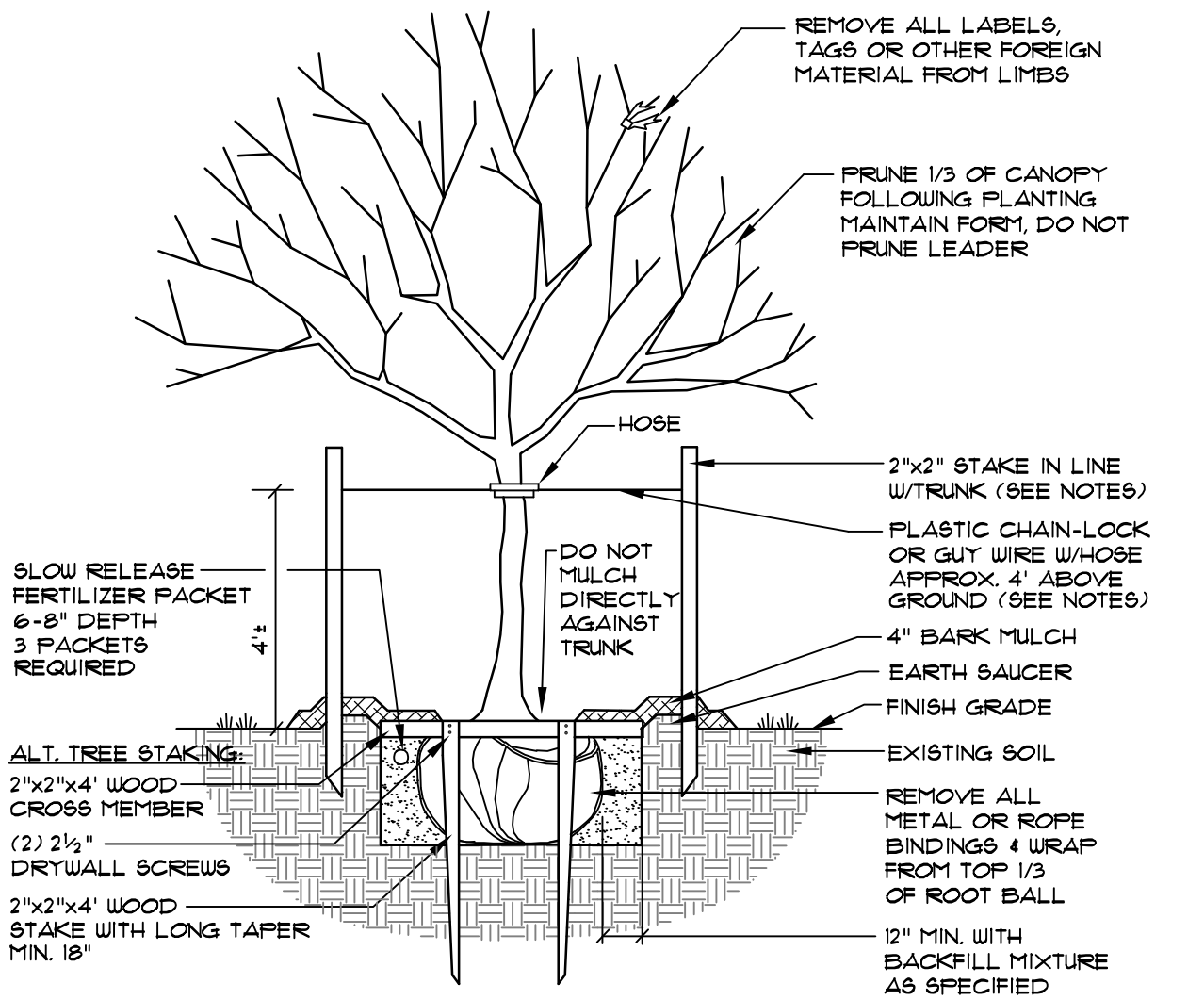


TREE PIT DETAIL
NOT TO SCALE



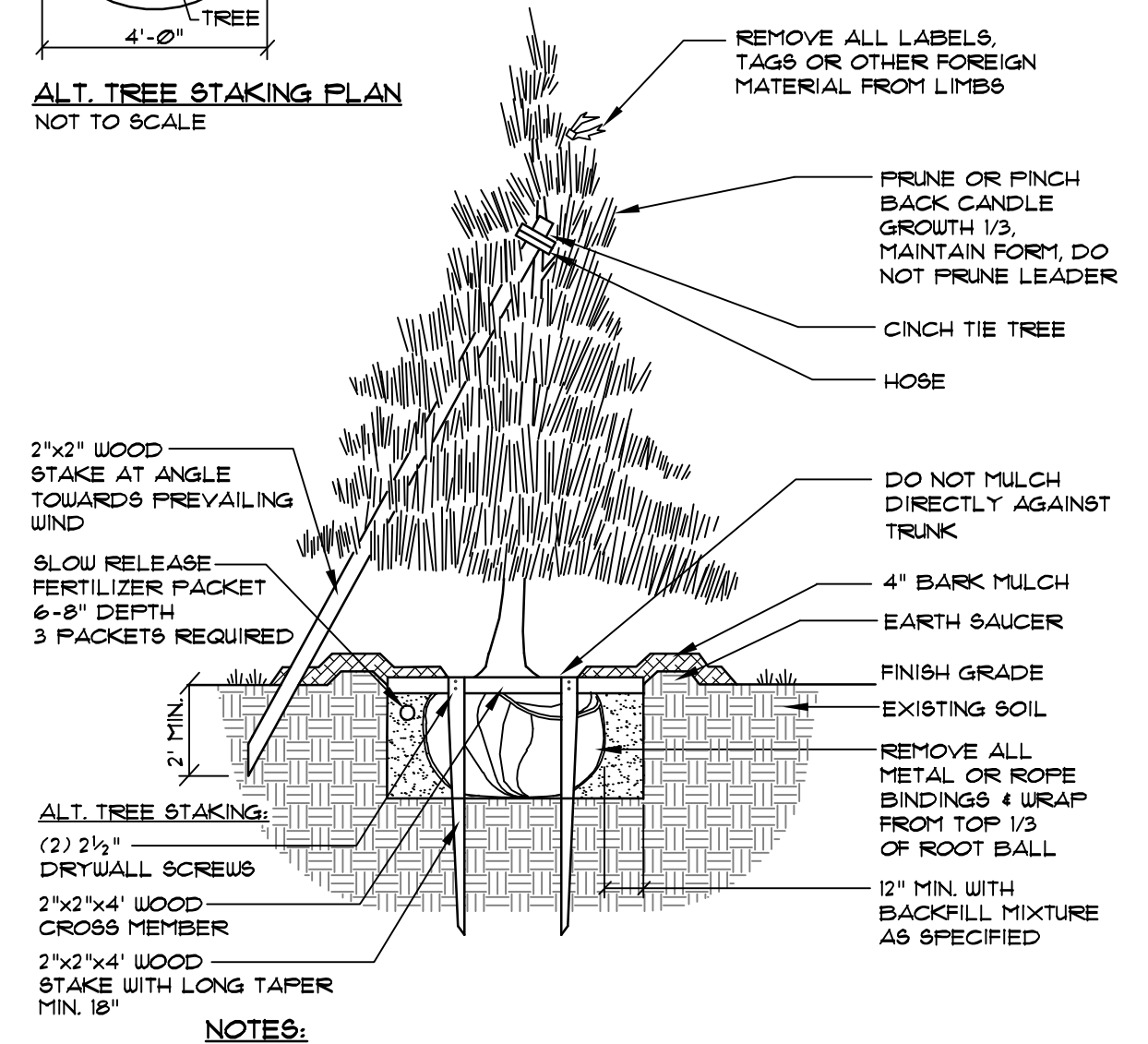
TEE AND BEND DETAIL
NOT TO SCALE

CONCRETE THRUST BLOCK SIZE REQUIREMENTS			
SQ. FT. OF BEARING ON UNDISTURBED SOIL			
FITTINGS	90° BENDS	45° BENDS	TEES AND PLUGS
PIPE SIZE	4.0	2.0	3.0
6"	8.0	4.0	6.0
12"	15	10	10



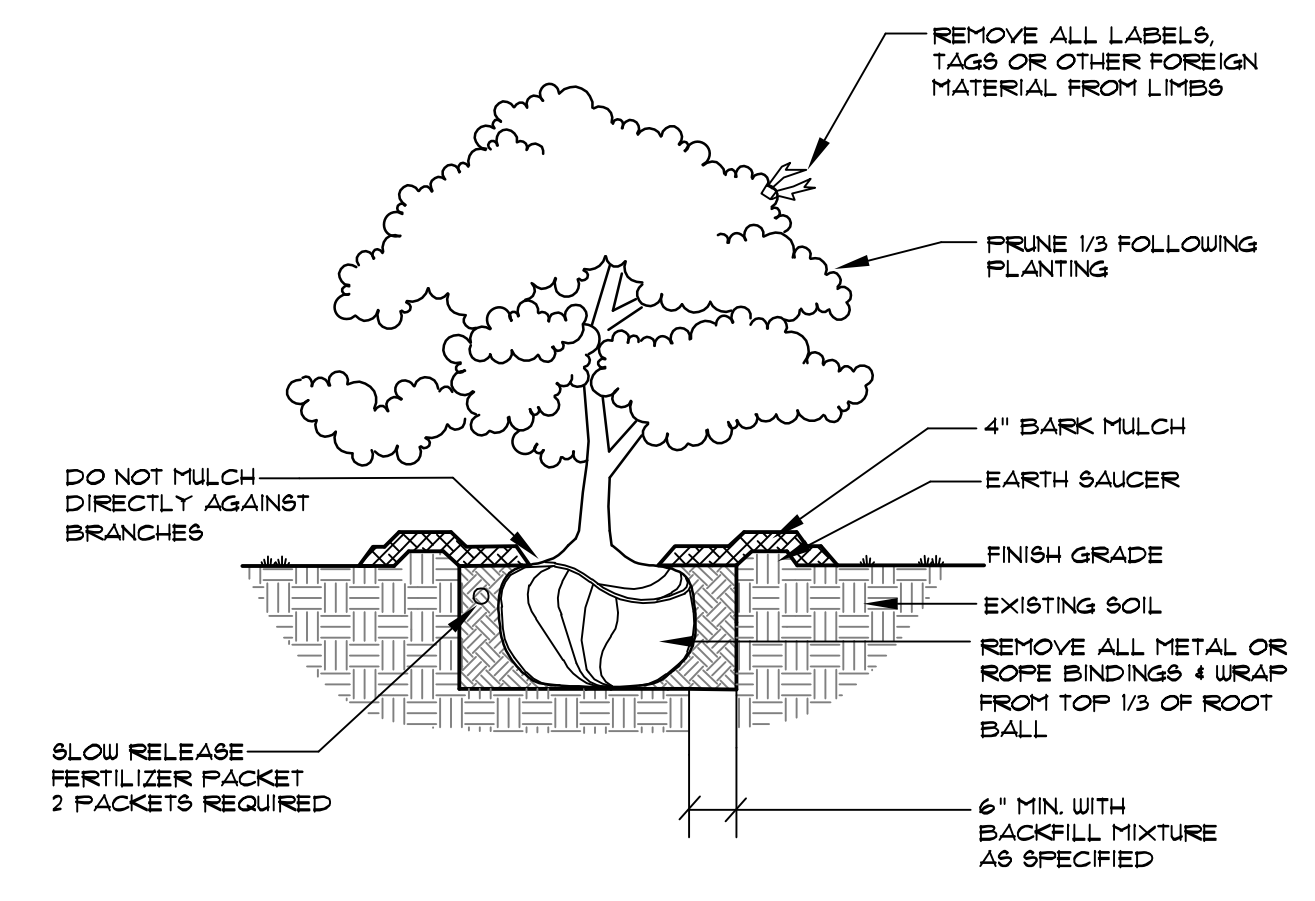
- NOTES:**
- INSTALL STAKES AND GUYS TO TREES IF THE FOLLOWING APPLY:
 1. THE TREE IS OF SUBSTANTIAL SIZE.
 2. THE PLANTING LOCATION IS EXTREMELY WINDY, AS ON OPEN UNDEVELOPED SITES.
 3. THE PLANTING LOCATION IS COMPRISED OF SAND OR OTHER LOOSE TEXTURED SOILS.
 4. IF STAKES AND GUYS ARE REQUIRED, REMOVE AFTER ONE YEAR TIME.

DECIDUOUS TREES 2" TO 4" CALIPER
NOT TO SCALE



- NOTES:**
- INSTALL STAKES AND GUYS TO TREES IF THE FOLLOWING APPLY:
 1. THE TREE IS OF SUBSTANTIAL SIZE.
 2. THE PLANTING LOCATION IS EXTREMELY WINDY, AS ON OPEN UNDEVELOPED SITES.
 3. THE PLANTING LOCATION IS COMPRISED OF SAND OR OTHER LOOSE TEXTURED SOILS.
 4. IF STAKES AND GUYS ARE REQUIRED, REMOVE AFTER ONE YEAR TIME.

DECIDUOUS TREES 1"-0" IN HEIGHT & UNDER
NOT TO SCALE



DECIDUOUS & EVERGREEN SHRUB
NOT TO SCALE

13251D.dwg, TAB: D4

SEBAGO TECHNICALS
75 John Roberts Rd., Suite 1A
South Portland, ME 04106
Tel: 207-262-2100

SEAPORT LOFTS
NEWBURY/HANCOCK STREET
PORTLAND, MAINE
FOR: 113 NEWBURY STREET, LLC
35 FAY STREET, SUITE 107B
BOSTON, MA 02118-4320

WTC	12-31-14	MISCELLANEOUS REVISIONS
WTC	12-08-14	MISCELLANEOUS REVISIONS
WTC	11-18-14	REVISED SITE LIGHTING / ISSUE CK-02
WTC	09-10-14	ISSUE CK-01
WTC	08-06-14	PRICING SET 1 AUGUST 6, 2014
WTC	07-22-14	ADDRESS COMMENTS PER WILLIAM CLARKE E-MAIL DATED 07-10-14
WTC	06-20-14	CITY SUBMITTAL 8
REV:	BY:	DATE:

PROJECT NO. FIELD BOOK DESIGN / CHKD DRAWN
13251 WTC WTC MAL

DATE SCALE
07-26-13 AS SHOWN

SHEET 11 OF 12