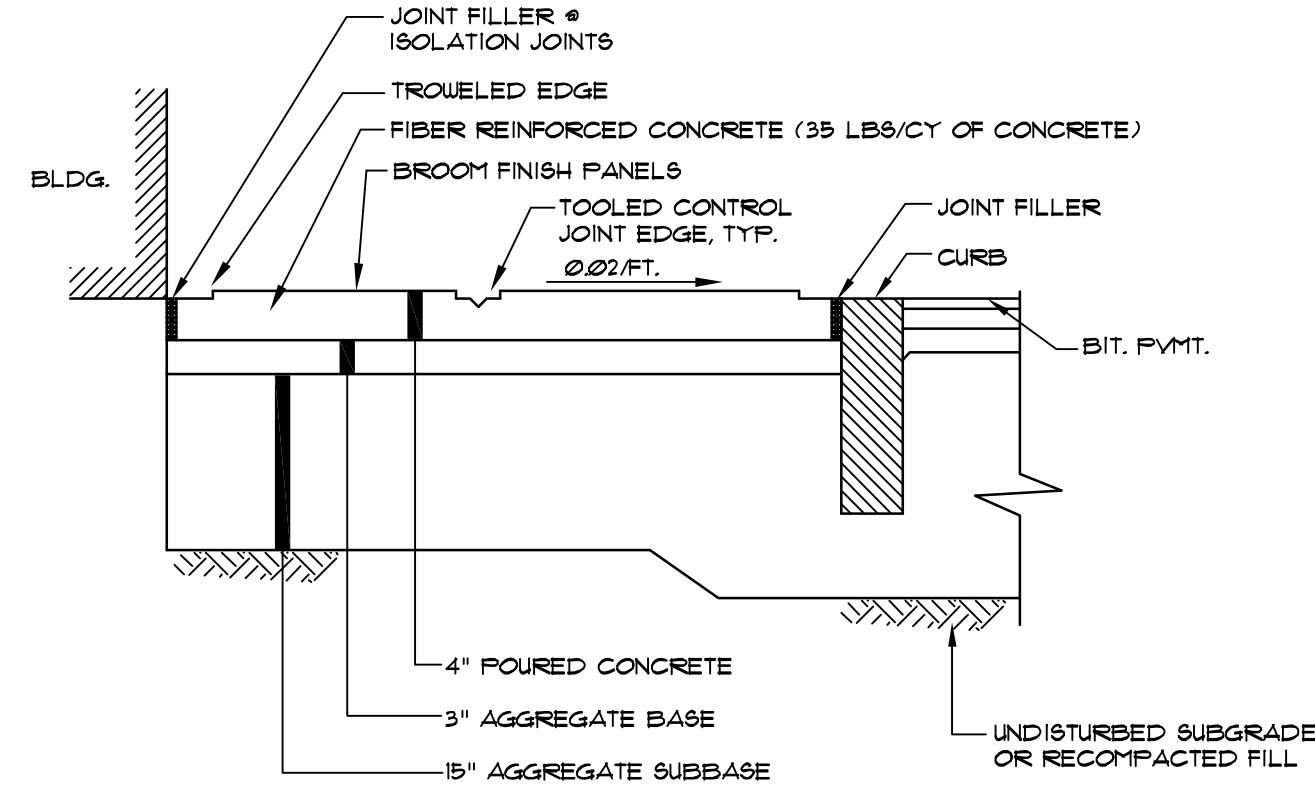


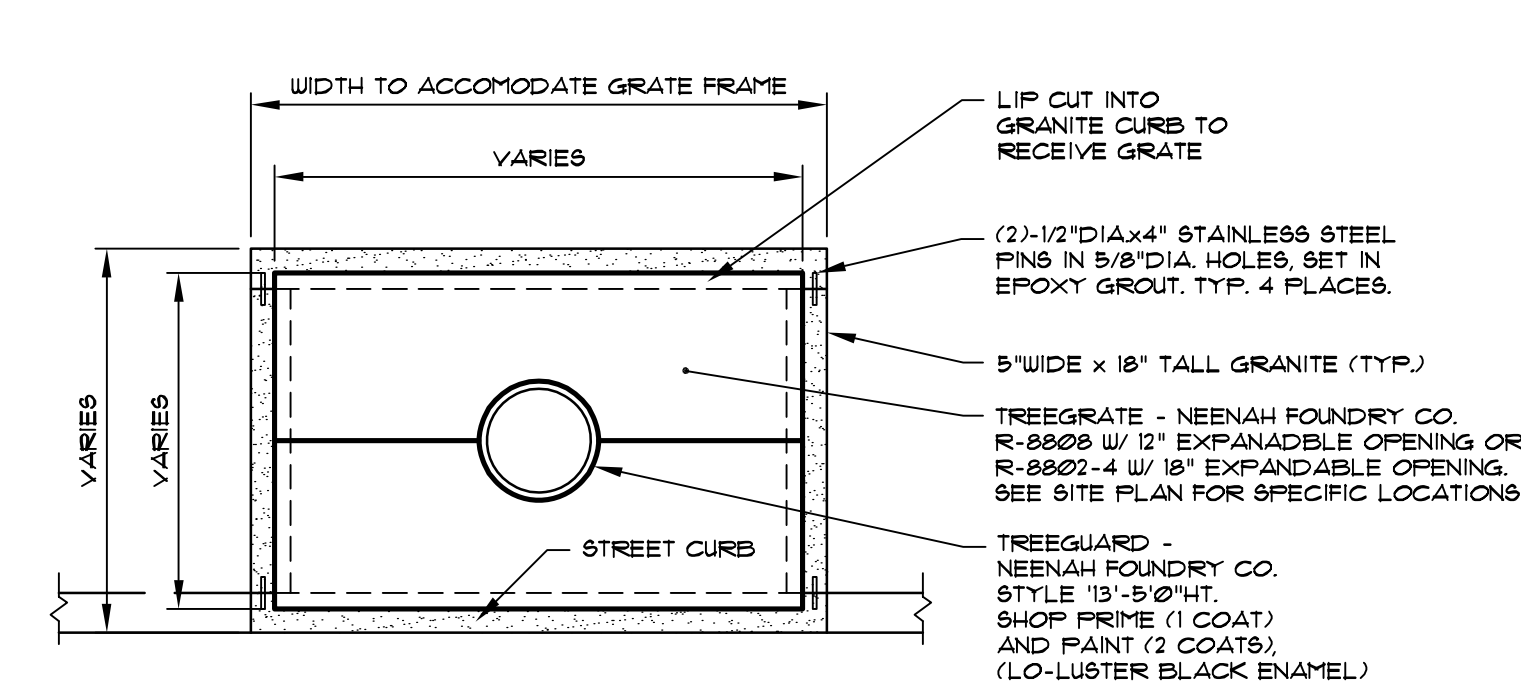
- NOTES:**
1. COMPACT GRAVEL SUBBASE, BASE COURSE TO 92% OF MAXIMUM DENSITY USING HEAVY ROLLER COMPACTION.
 2. CONTRACTOR SHALL SET GRADE STAKES MARKING SUBBASE AND FINISH GRADE ELEVATIONS FOR CONSTRUCTION REFERENCE.

TYP. PAVED DRIVEWAY SECTION
NOT TO SCALE

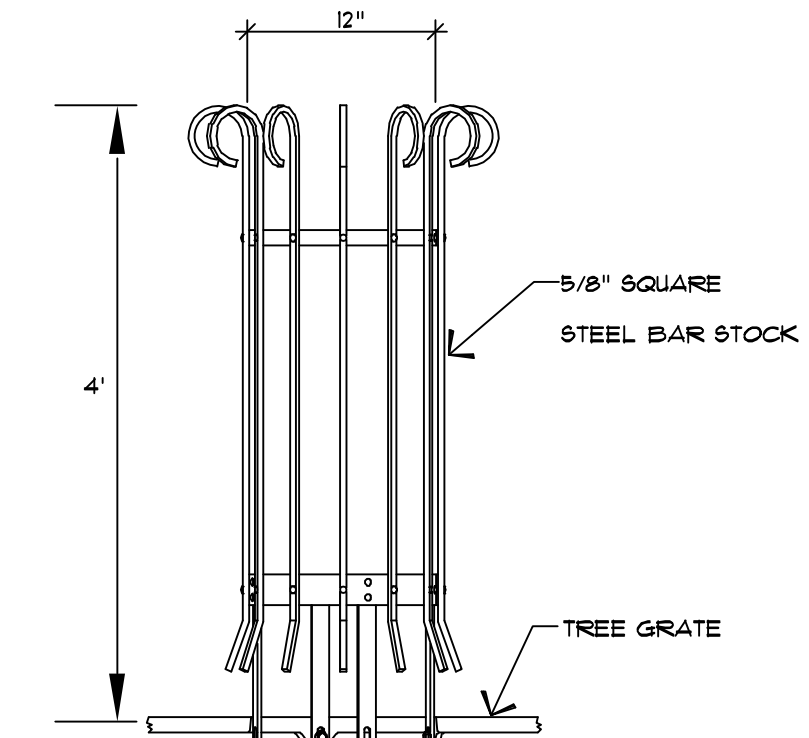


- NOTE:**
1. INSTALL 4.5\"/>
 2. CONCRETE SHALL HAVE AN F_{cr} OF 4,500 PSI AND SHALL RECEIVE 2 COATS OF WATER PENETRATING SEALANT.

CONCRETE PAVING
NOT TO SCALE

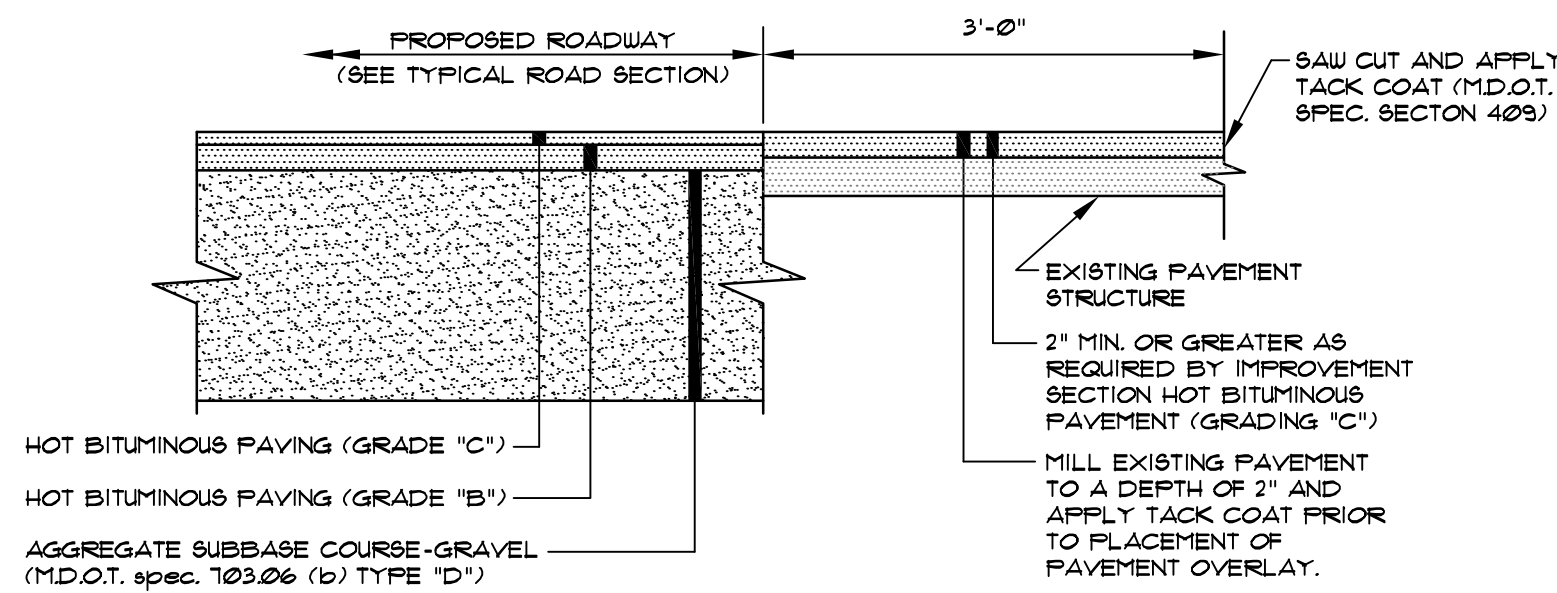


TREE GRATE DETAIL
NOT TO SCALE

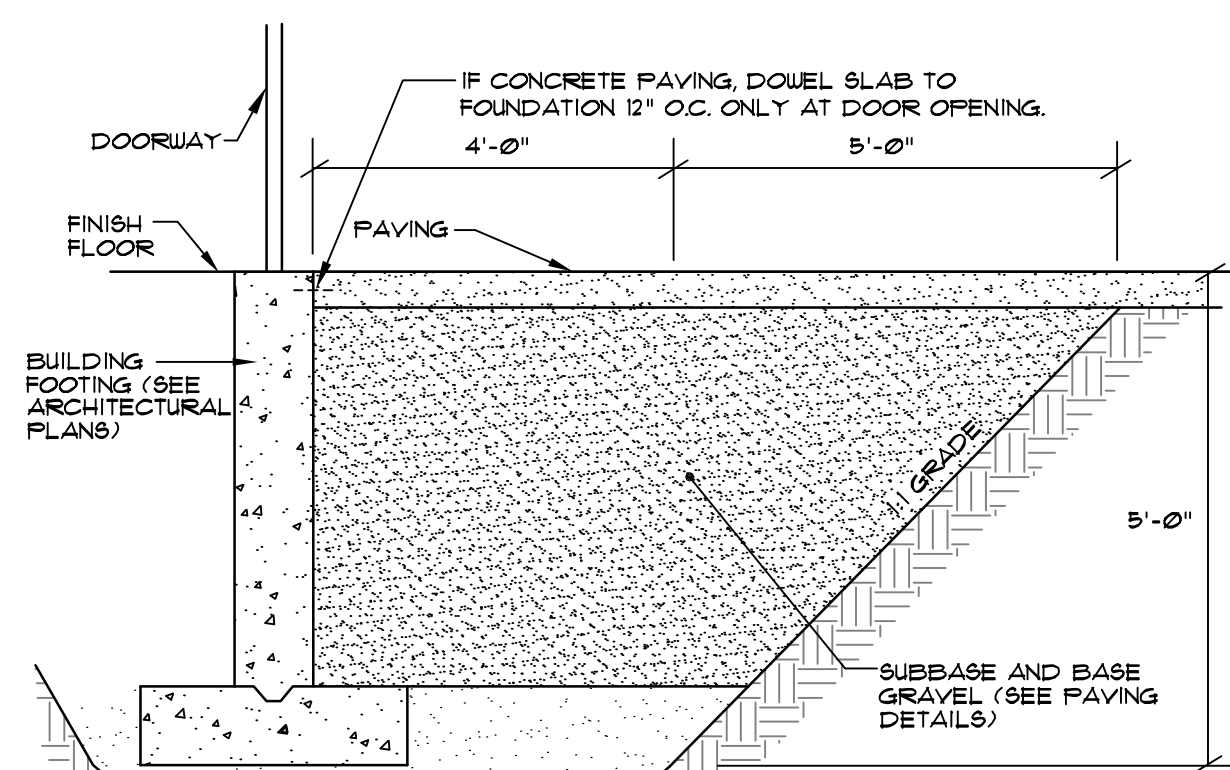


MATERIAL: ALL HOT ROLLED MILD STEEL
FINISH: PAINTED WITH ONE COAT LO-LUSTRE BLACK ENAMEL
Neenah Foundry Co. (nfc.com), Item: Type A, L4, 12\"/>

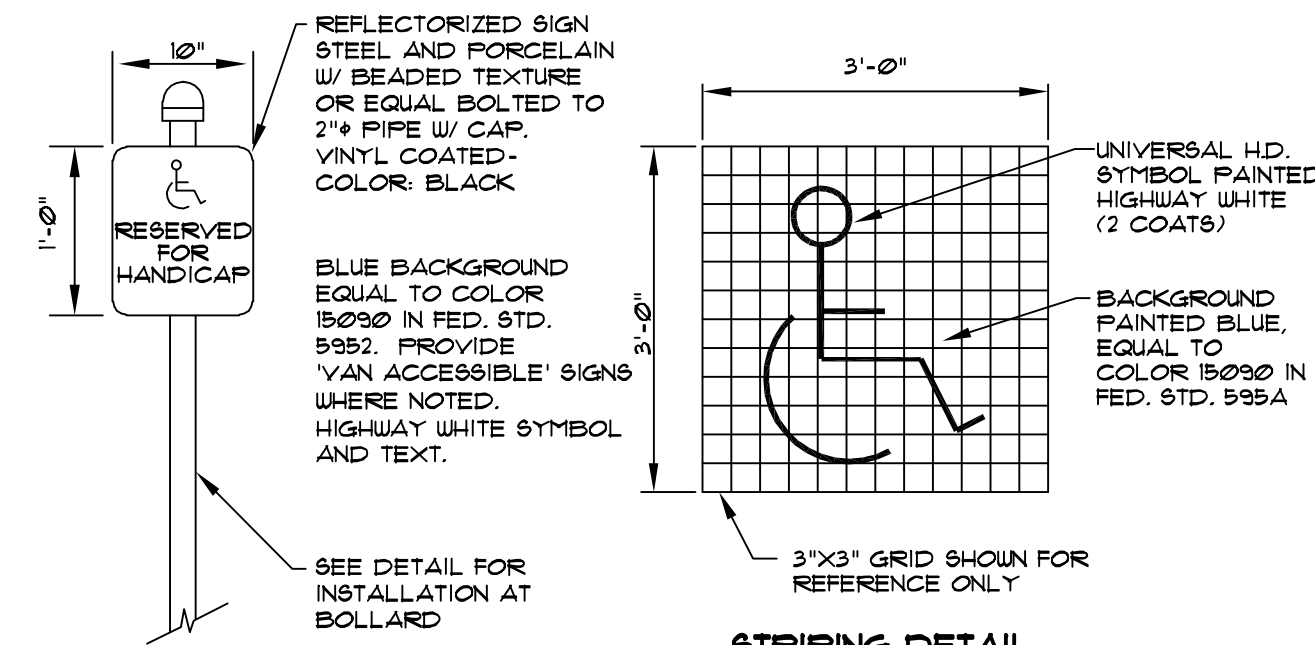
TYPICAL TREE GUARD
NOT TO SCALE



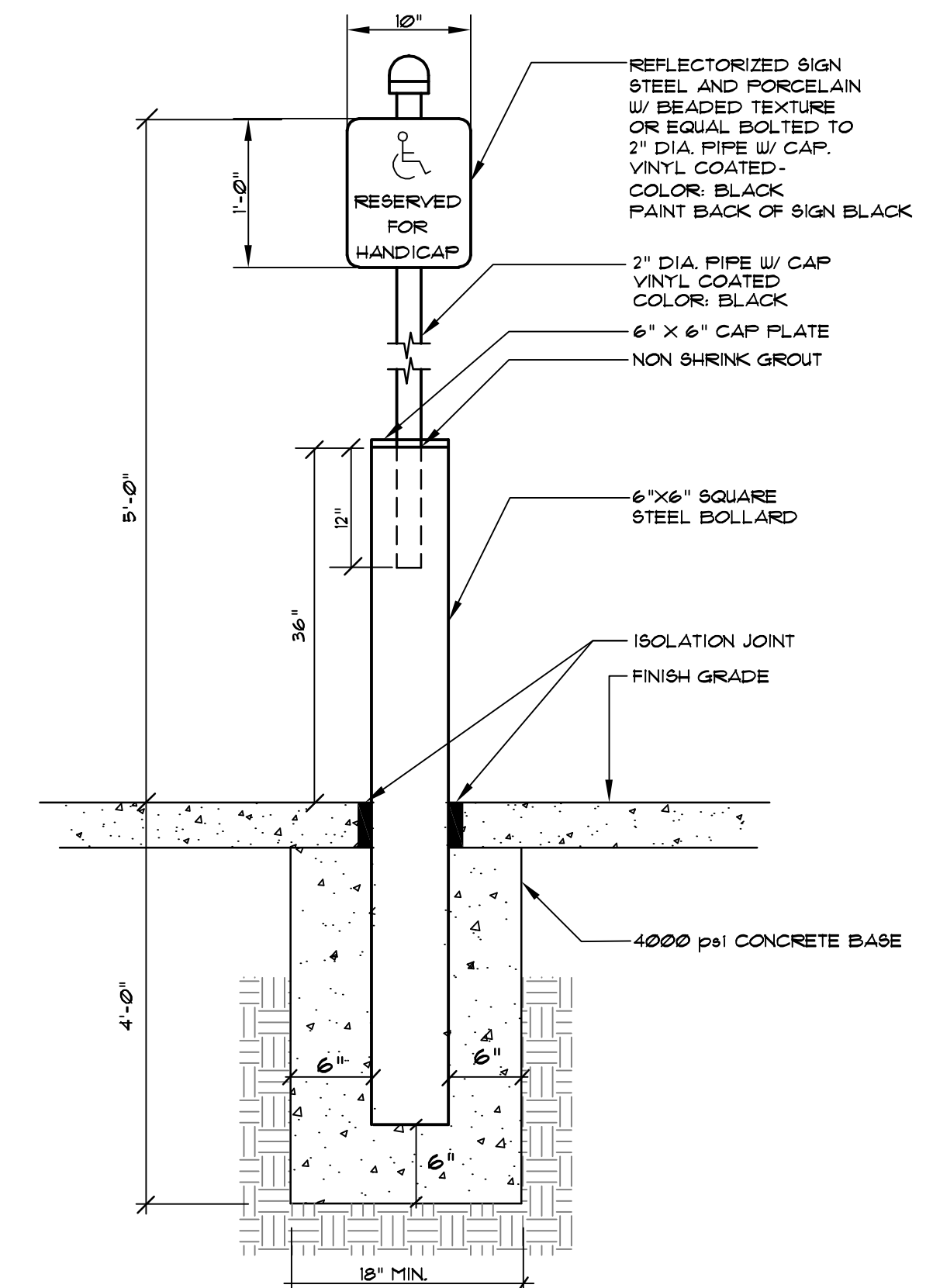
PAVEMENT SAW CUT DETAIL
NOT TO SCALE



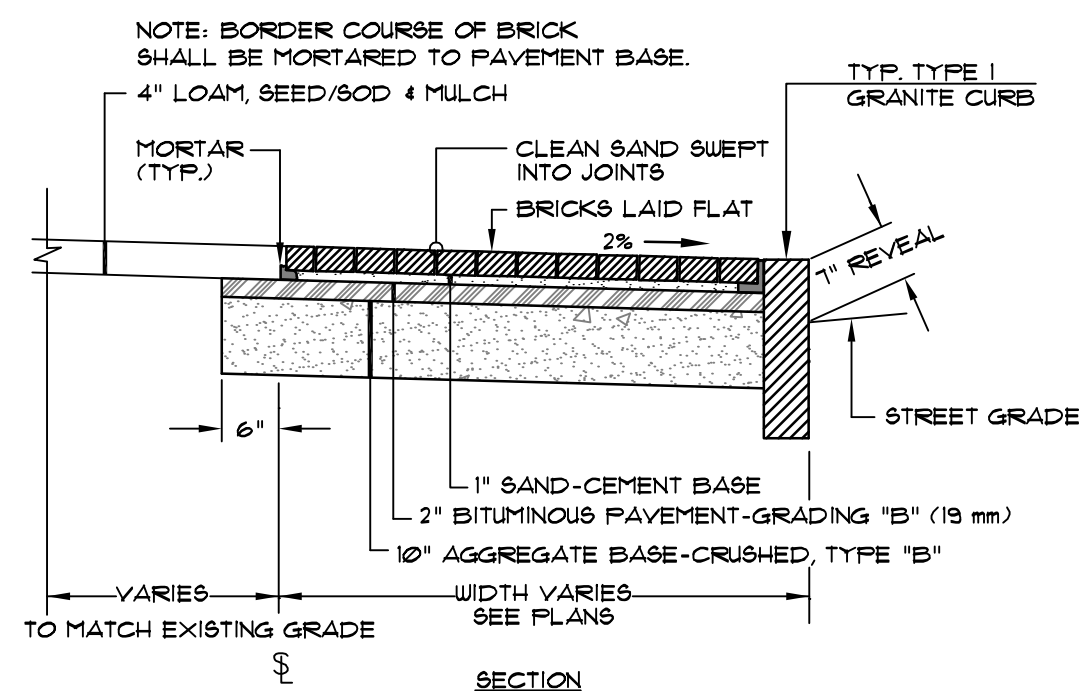
5' GRANULAR BASE @ DOOR THRESHOLD
NOT TO SCALE



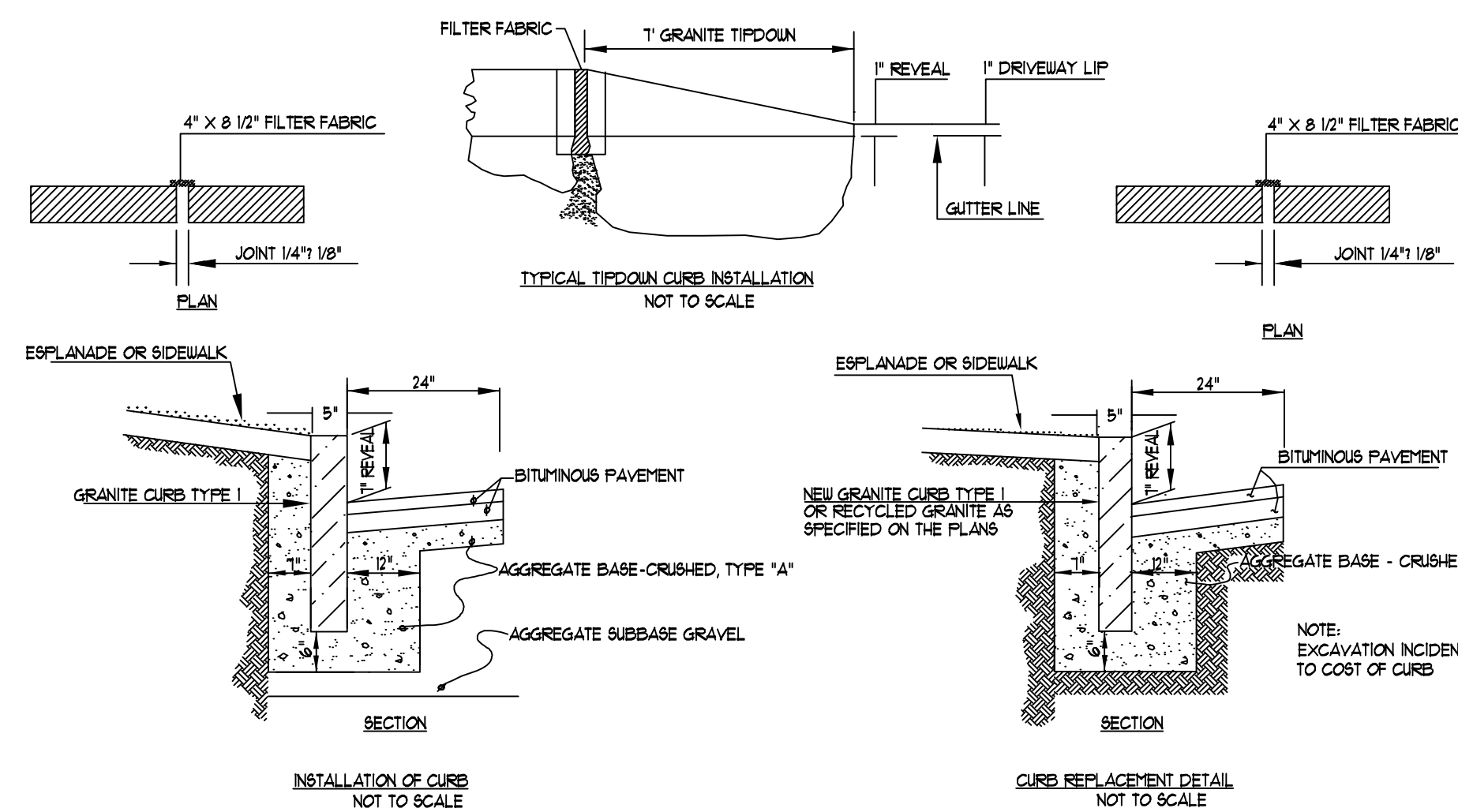
HANDICAP SIGNS AND STRIPING
NOT TO SCALE



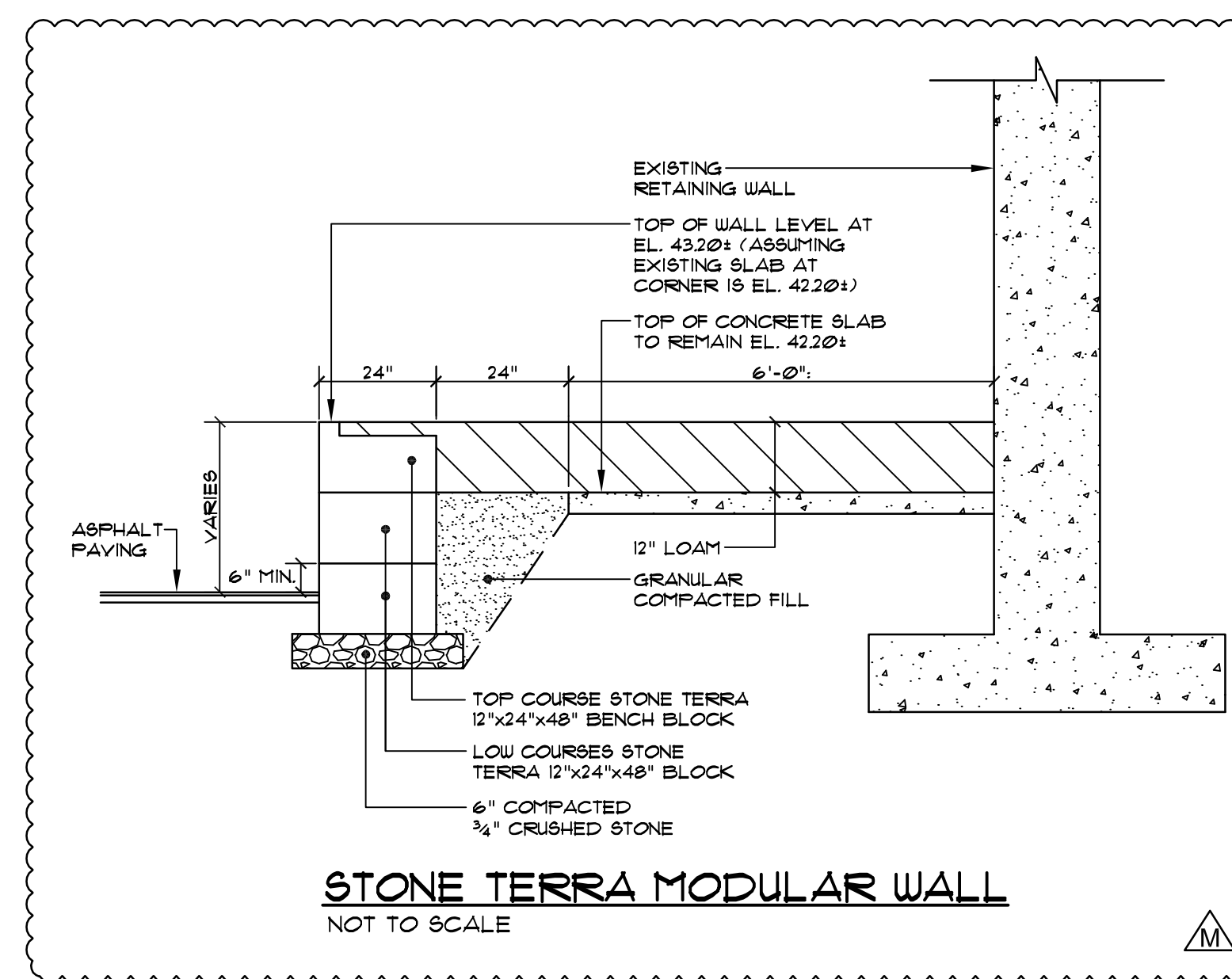
STEEL BOLLARD MOUNTED SIGN
NOT TO SCALE



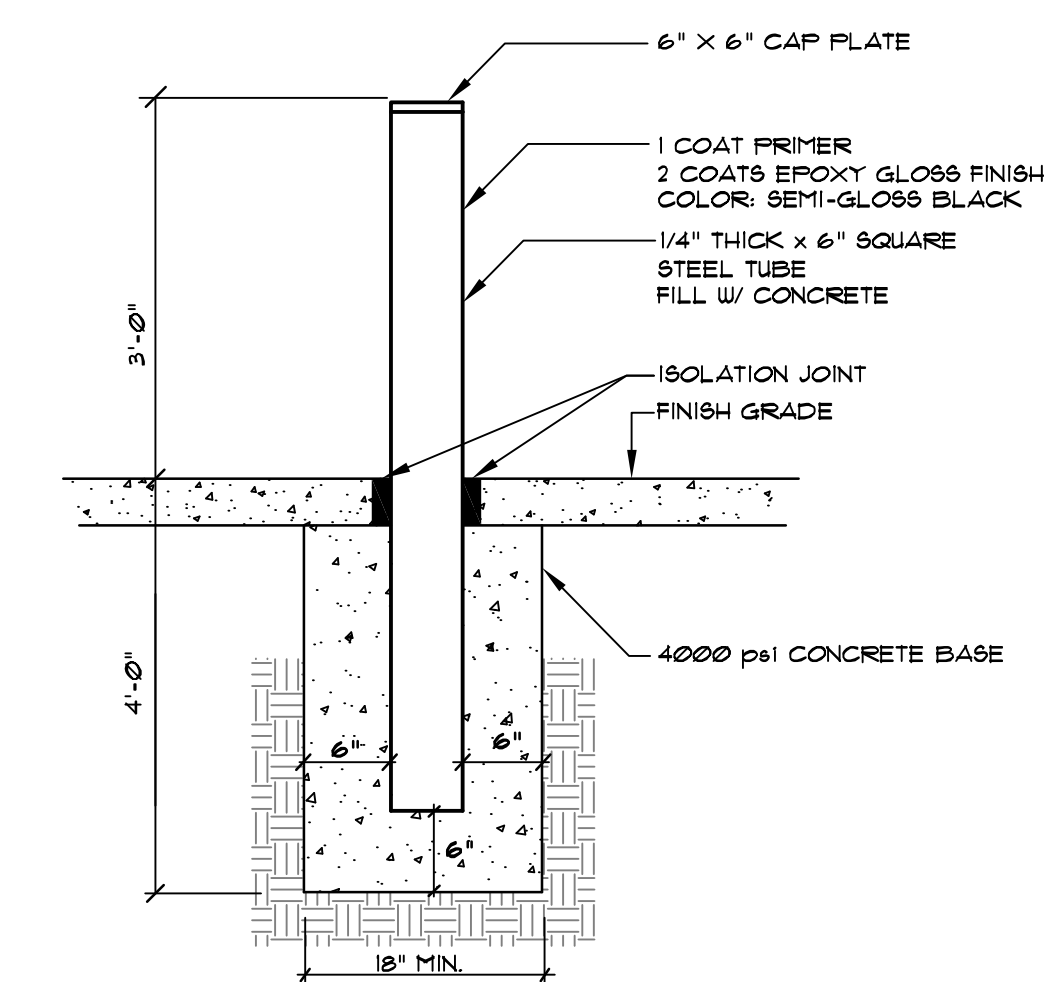
BRICK SIDEWALK DETAIL
NOT TO SCALE



INSTALLATION OF CURB, TYPE I
NOT TO SCALE



STONE TERRA MODULAR WALL
NOT TO SCALE



STEEL BOLLARD
NOT TO SCALE

REV	DATE	BY	DESCRIPTION
WTC	12-31-14		MISCELLANEOUS REVISIONS
WTC	12-08-14		MISCELLANEOUS REVISIONS
WTC	11-18-14		REVISED SITE LIGHTING / ISSUE CK-02
WTC	09-10-14		ISSUE CK-01
WTC	08-06-14		PRICING SET 1 AUGUST 6, 2014
WTC	07-22-14		ADDRESS COMMENTS PER WILLIAM CLARKE E-MAIL DATED 07-10-14
WTC	06-20-14		CITY SUBMITTAL 8
REV:	DATE:	BY:	

SEBAGO TECHNICALS
WWW.SEAGOTECHNICALS.COM
75 John Roberts Rd., Suite 1A, South Portland, ME 04106
Tel: 207-282-2100

PROJECT NO. 13251
DESIGN: WTC
CHKD: WTC
DRAWN: MAL

DETAILS OF:
SEAPORT LOFTS
NEWBURY/HANCOCK STREET
PORTLAND, MAINE
FOR:
113 NEWBURY STREET, LLC
35 FAY STREET, SUITE 107B
BOSTON, MA 02118-4320

DATE	SCALE
07-26-13	AS SHOWN