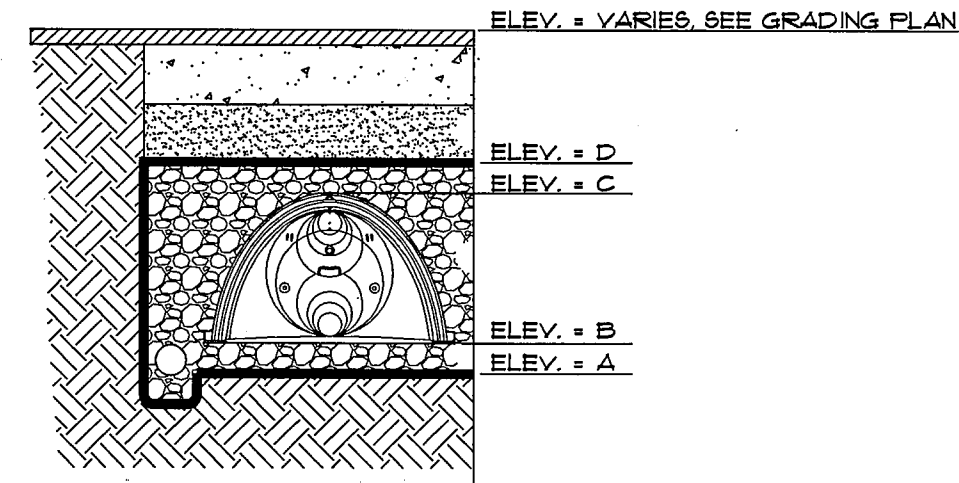


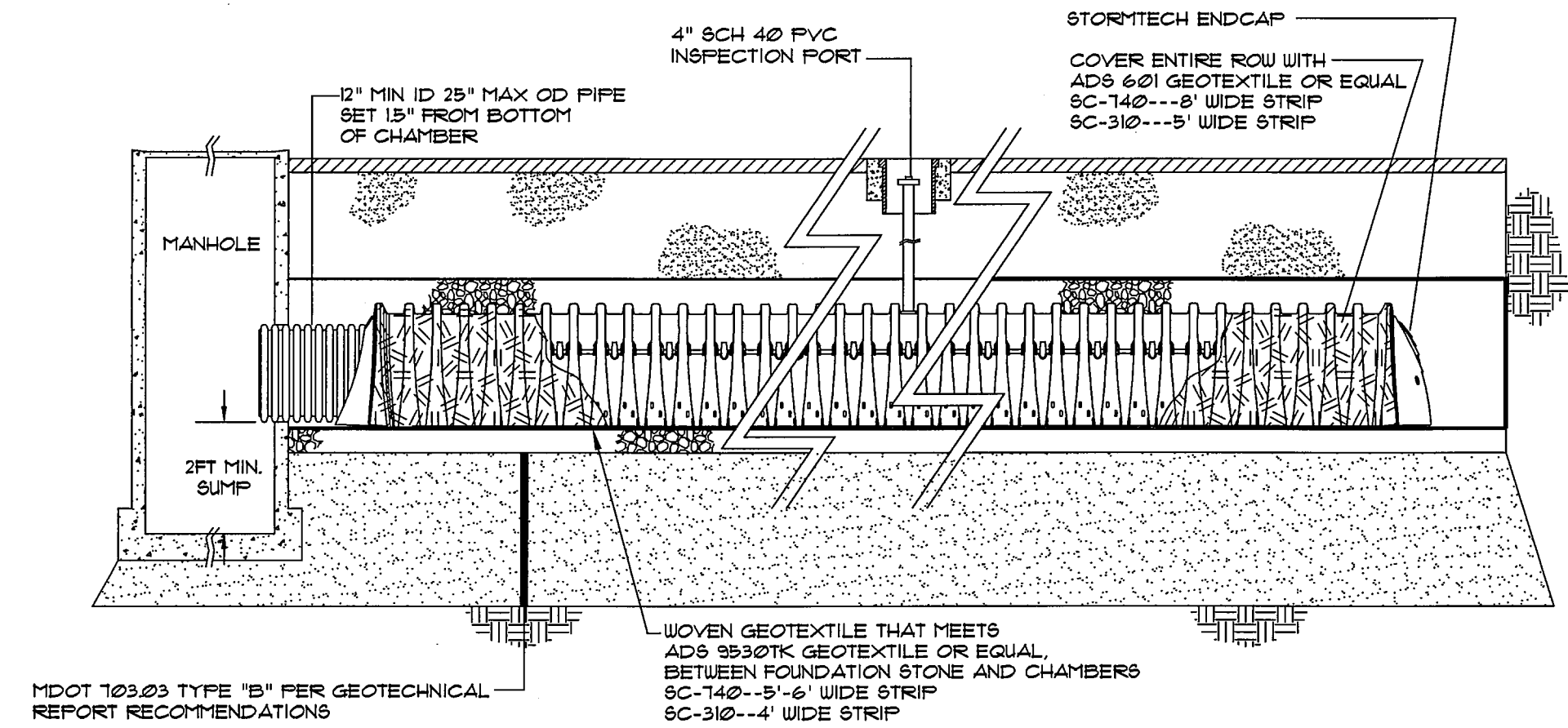
- NOTES:**
1. ALL DESIGN SPECIFICATIONS FOR STORMTECH CHAMBERS SHALL BE IN ACCORDANCE WITH THE STORMTECH DESIGN MANUAL.
 2. THE INSTALLATION OF STORMTECH CHAMBERS SHALL BE IN ACCORDANCE WITH THE LATEST STORMTECH INSTALLATION INSTRUCTIONS.
 3. THE CONTRACTOR IS ADVISED TO REVIEW AND UNDERSTAND THE INSTALLATION INSTRUCTIONS PRIOR TO BEGINNING SYSTEM INSTALLATION. CALL 1-888-832-2634 OR VISIT WWW.STORMTECH.COM TO RECEIVE A COPY OF THE LATEST STORMTECH INSTALLATION INSTRUCTIONS.
 4. CONTACT DESIGN ENGINEER PRIOR TO INSTALLATION OF UNDERDRAIN AND STORMTECH SYSTEM.

**STORMTECH SC-140 CHAMBER SYSTEM
 OPTIONAL INSPECTION PORT DETAIL**
 NOT TO SCALE

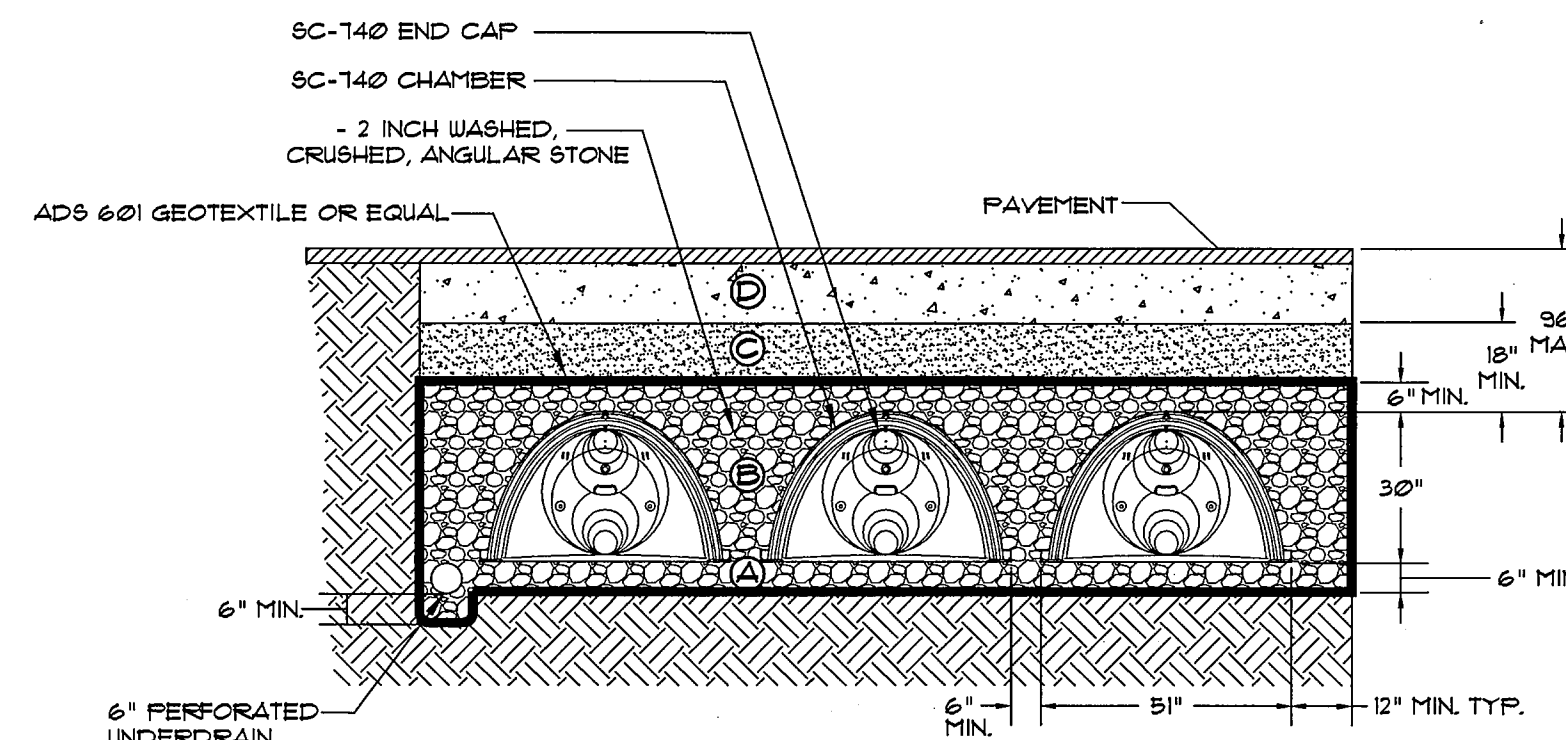


STORMTECH ELEVATIONS				
	A	B	C	D
ST-1	34.05	34.55	31.05	31.55

NOTE: ELEV. A IS THE ELEVATION OF THE BOTTOM OF STONE AND THE INVERT OF THE 6" UNDERDRAIN



STORMTECH ISOLATOR TM ROW PROFILE VIEW DETAIL
 NOT TO SCALE



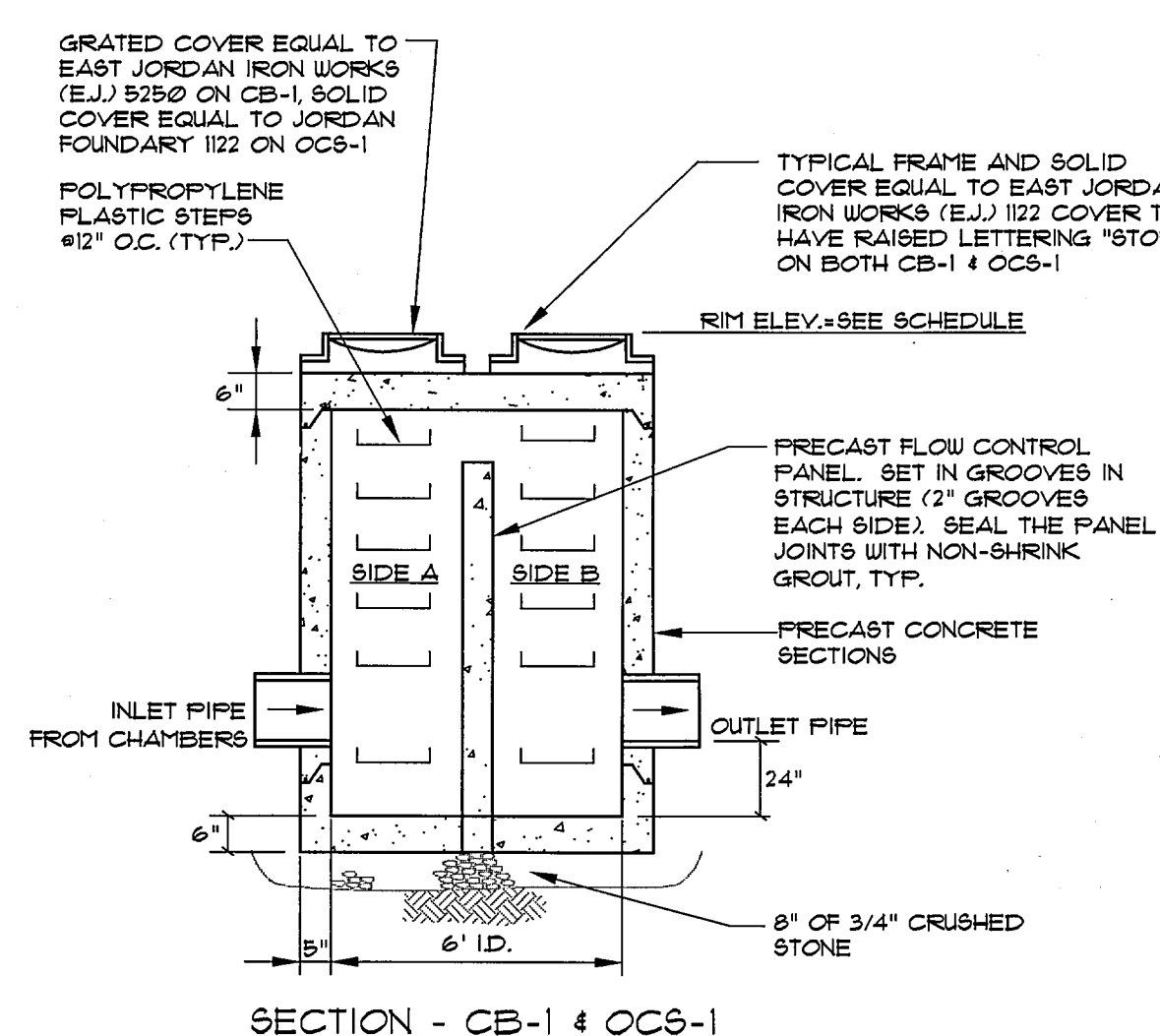
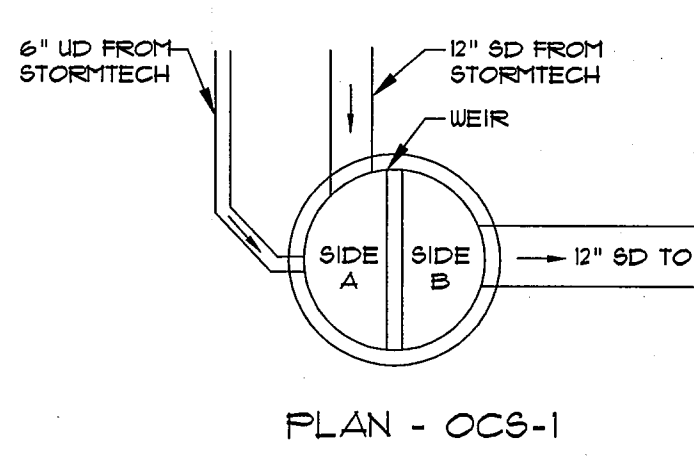
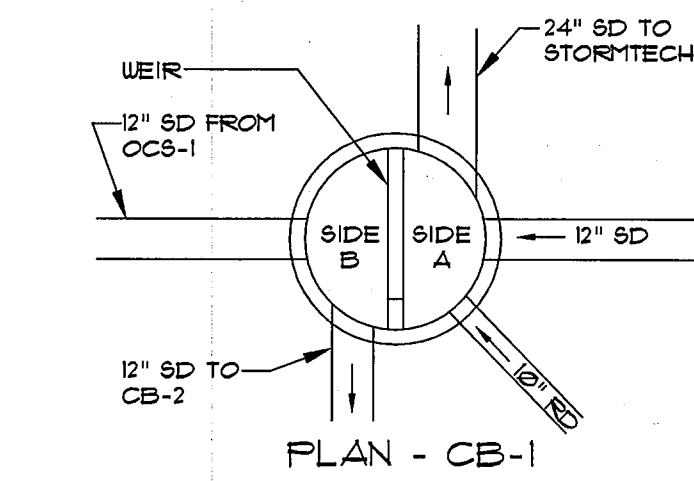
COMPACTION/DENSITY REQUIREMENTS:

1. WASHED, ANGULAR STONE WITH THE MAJORITY OF PARTICLES BETWEEN 3/4" - 2". PLATE COMPACT OR ROLL TO ACHIEVE A 95% STANDARD PROCTOR DENSITY.
2. WASHED, ANGULAR STONE WITH THE MAJORITY OF PARTICLES BETWEEN 3/4" - 2". NO COMPACTION REQUIRED.
3. GRANULAR WELL-GRADED SOIL/AGGREGATE MIXTURES, <35% FINES. COMPACT IN 6" LIFTS TO A MINIMUM 95% STANDARD PROCTOR DENSITY. ROLLER GROSS VEHICLE WEIGHT NOT TO EXCEED 12,000 POUNDS.
4. ANY SOIL/ROCK MATERIALS, NATIVE SOILS OR PER ENGINEER'S PLANS. CHECK PLANS FOR PAVEMENT SUBGRADE REQUIREMENTS. PREPARE PER ENGINEER'S PLANS.

MEDOT SPECIFICATIONS FOR UNDERDRAINS (MEDOT #103.22)

SIEVE SIZE	% BY WEIGHT
UNDERDRAIN TYPE B	
1"	100
1/2"	15-100
4"	50-100
20	15-80
40	0-15
100	0-5
UNDERDRAIN TYPE C	
1"	100
3/4"	90-100
3/8"	0-15
4"	0-25
40	0-5

STORMTECH SC-140 CHAMBER SYSTEM
 NOT TO SCALE



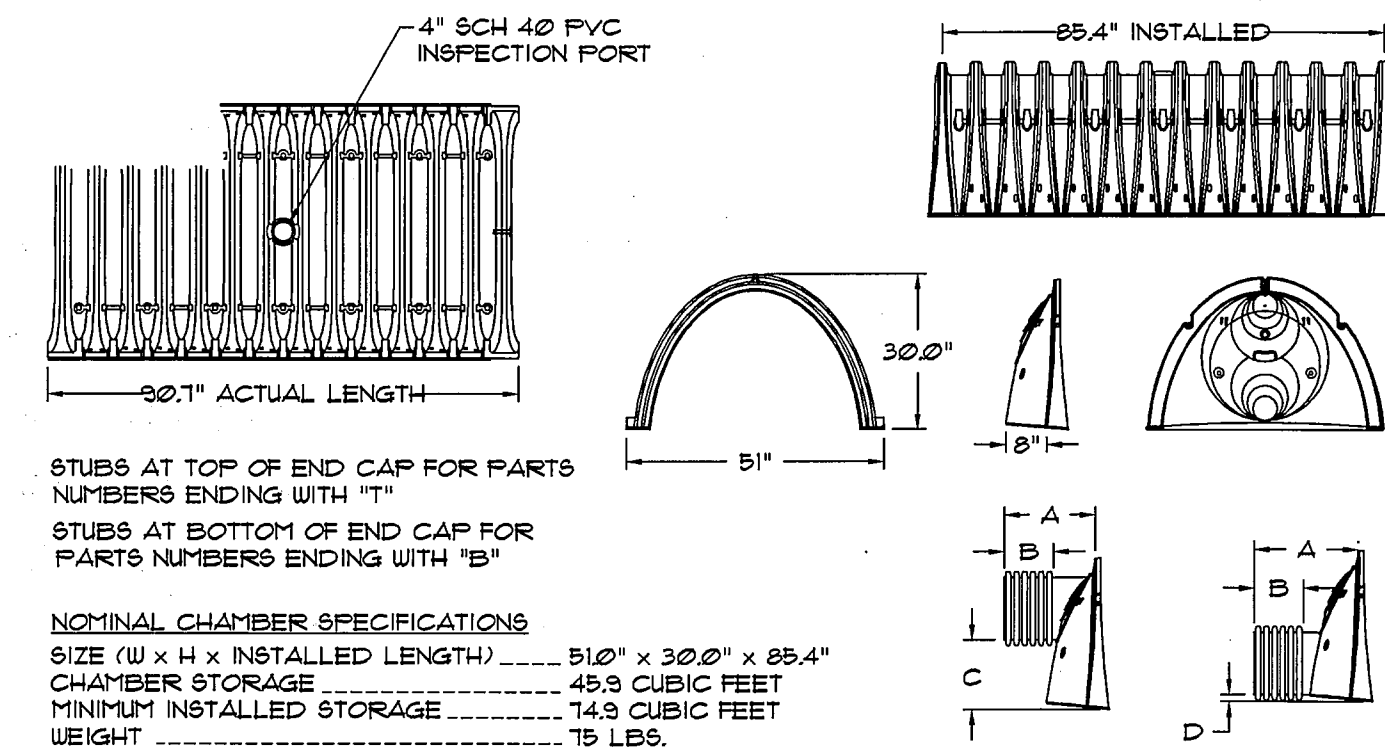
OUTLET CONTROL STRUCTURE (OCS) FOR ST-1
 NOT TO SCALE

- NOTE:
 1. SUBMIT SHOP DRAWINGS FOR CURVE VIEWS. SEE APPROVAL.
 2. STRUCTURE SHALL BE DESIGNED FOR H-20 LOADING.

OUTLET CONTROL STRUCTURE SCHEDULE

RIM ELEV.	SIDE A		SIDE B		WEIR ELEV.
	INV. IN	INV. OUT	INV. IN	INV. OUT	
CB-1	34.05	34.80 (12"SD)	33.75 (12"SD)	33.50 (12"SD)	31.00
OCS-1	34.05 (6"UD)	34.40 (12"SD)		33.90 (12"SD)	36.50

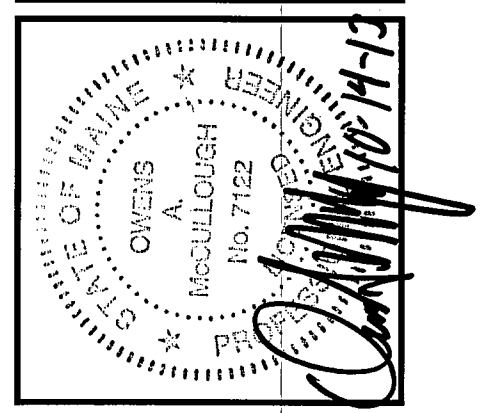
**STORMTECH SC-140 CHAMBER SYSTEM
 TYPICAL CROSS SECTION DETAIL**
 NOT TO SCALE



PART #	CHAMBER	PIPE SIZE	A	B	C	D
SC140EPE12B	SC 140	15 in (375 mm)	19.30 in (490 mm)	10.30 in (262 mm)	10.5	26.1 in (663 mm)
SC140EPE24B	SC 140	24 in (600 mm)	18.50 in (470 mm)	9.45 in (240 mm)	N/A	21.0 in (533 mm)

- NOTE: ALL DIMENSIONS ARE NOMINAL
 ALL STUBS, EXCEPT FOR THE SC140EPE12B AND SC140EPE24B ARE PLACED AT BOTTOM OF END CAP SUCH THAT THE OUTSIDE DIAMETER OF THE STUB IS FLUSH WITH THE BOTTOM OF THE END CAP.
 * FOR THE SC140EPE12B THE 12" STUB LIES BELOW THE BOTTOM OF THE END CAP APPROXIMATELY 0.25". FOR THE SC140EPE24B THE 24" STUB LIES BELOW THE BOTTOM OF THE END CAP APPROXIMATELY 1.75". BACKFILL MATERIAL SHOULD BE REMOVED FROM BELOW THE N-12 STUB SO THAT THE FITTING SETS LEVEL.

**STORMTECH SC-140 CHAMBER
 TECHNICAL SPECIFICATIONS**
 NOT TO SCALE



REV.	BY:	DATE:	STATUS:
E	WTC	10-15-13	CITY SUBMITTAL 6
D	WTC	10-03-13	CITY SUBMITTAL 5
C	WTC	09-17-13	CITY SUBMITTAL 4
B	WTC	09-03-13	CITY SUBMITTAL 3
A	WTC	07-29-13	SUBMIT SITE PLAN APPLICATION TO CITY

SEBAGO TECHNICS
 WWW.SEBAGOTECHNICS.COM
 75 Ash Road, Suite B
 South Portland, ME 04106
 Tel: 207-783-5656

PROJECT NO. 13251
 FIELD BOOK
 DESIGN
 CHKD
 DRAWN
 WTC
 WTC
 MAL

DETAILS OF:
SEAPORT LOFTS
 NEWBURY/HANCOCK STREET
 PORTLAND, MAINE
 FOR:
113 NEWBURY STREET, LLC
 35 FAY STREET, SUITE 107B
 BOSTON, MA 02118-4320

DATE: 07-26-13
 SCALE: AS SHOWN

SHEET 14 OF 14