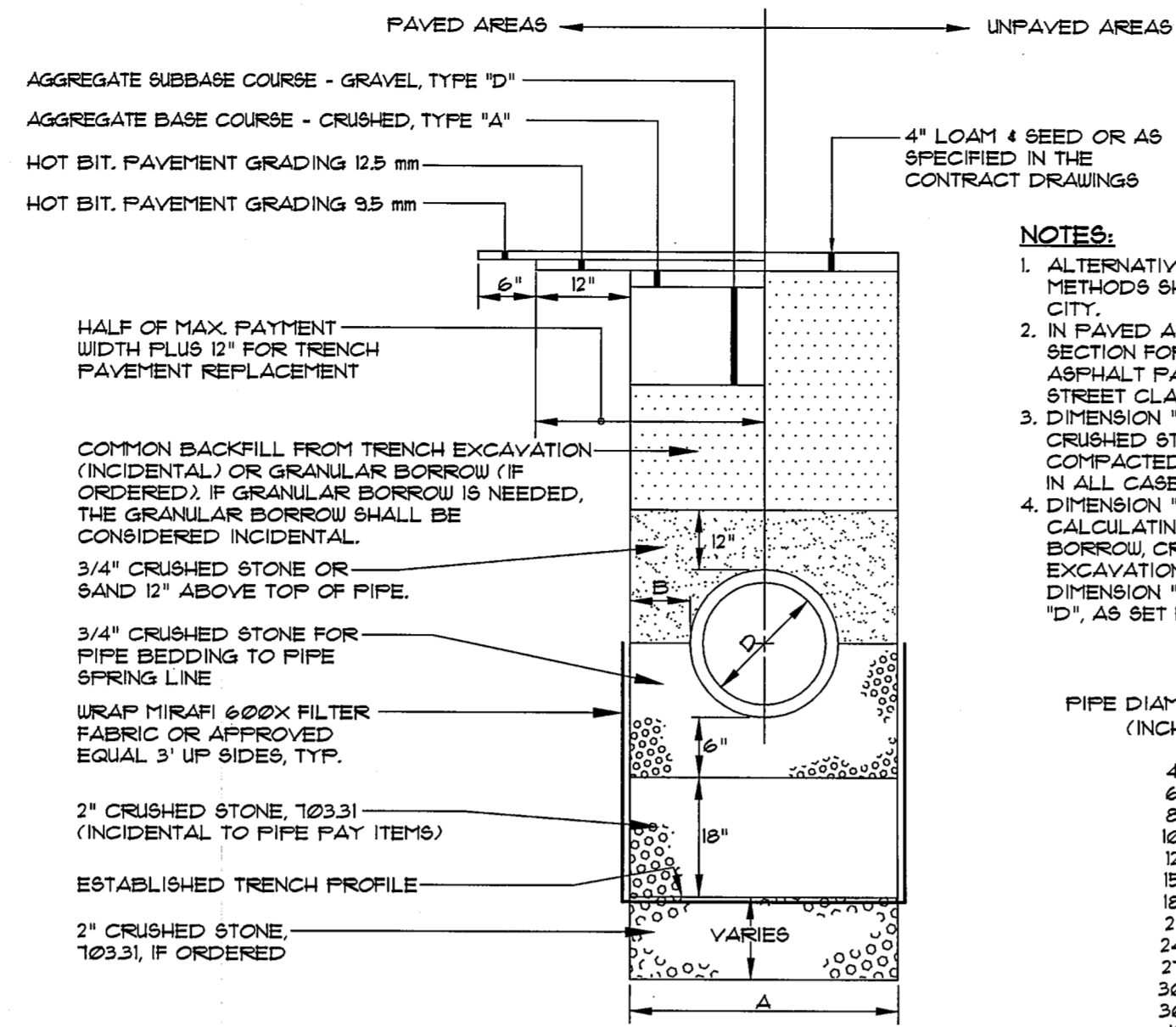


TYPICAL LIGHT POLE BASE
NOT TO SCALE

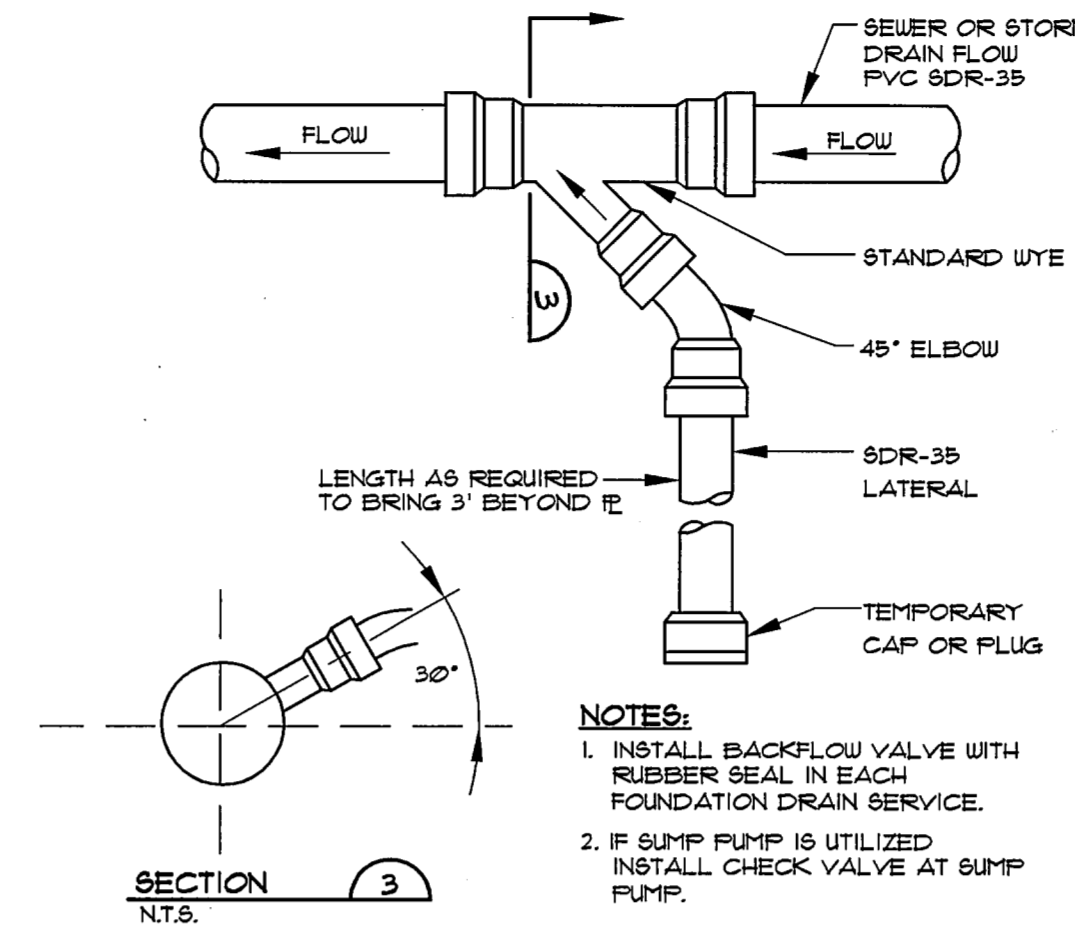
- NOTES:**
1. CONCRETE PER 40889 SPEC.
 2. REIN. STEEL, GRADE 60 NEW BARS.
 3. CONCRETE 3/4" AGG, 6 ± 1% ENTRAINED AIR.
 4. PROVIDE 2 COATS BITUMINOUS DAMPROOFING FOR ALL CONCRETE BELOW GRADE.
 5. POLE BASE PER THE 'BAYSIDE DISTRICT MEDIUM SCALED LIGHTING POLE' AND CITY SPECIFICATIONS. COORDINATE WITH PORTLAND PUBLIC SERVICES.
 6. BID ALT. - CONTRACTOR MAY SUBSTITUTE PRECAST CONCRETE LIGHT POLE BASE EQUAL TO ABOVE SPEC. AND APPROVED BY CITY.



TYPICAL PIPE INSTALLATION DETAIL
NOT TO SCALE

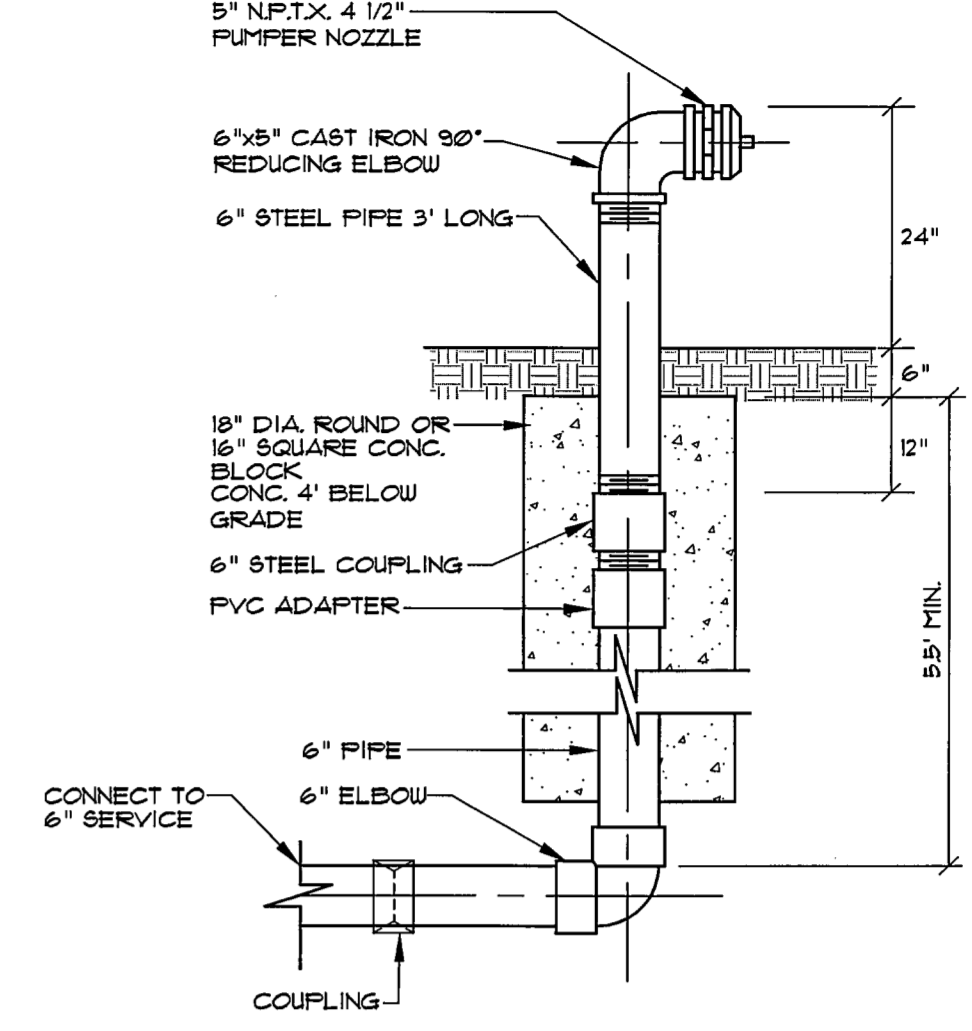
- NOTES:**
1. ALTERNATIVE CONSTRUCTION METHODS OR PAYMENT METHODS SHALL BE APPROVED IN ADVANCE BY THE CITY.
 2. IN PAVED AREAS REFER TO BITUMINOUS PAVEMENT SECTION FOR DEPTHS OF GRAVEL AND HOT MIX ASPHALT PAVEMENT BASED ON THE CORRESPONDING STREET CLASSIFICATION.
 3. DIMENSION 'B' SHALL BE SUFFICIENT TO ALLOW CRUSHED STONE BEDDING TO BE PLACED AND COMPACTED UNDER THE HALVES OF THE PIPE; BUT IN ALL CASES 'B' SHALL BE AT LEAST 9\".
 4. DIMENSION 'A' IS THE MAXIMUM WIDTH ALLOWED FOR CALCULATING PAY QUANTITIES UNDER GRANULAR BORROW, CRUSHED STONE, STRUCTURAL EARTH EXCAVATION, AND STRUCTURAL ROCK EXCAVATION. DIMENSION 'A' SHALL BE BASED ON PIPE DIAMETER 'D', AS SET FORTH IN THE FOLLOWING TABLE.

PIPE DIAMETER, 'D' (INCHES)	MAX. TRENCH WIDTH, 'A' (FEET)
4	4.0
6	4.0
8	4.0
10	4.0
12	4.0
15	4.0
18	5.0
21	5.5
24	6.0
27	6.0
30	6.0
36	8.0
42	8.0
48	8.0

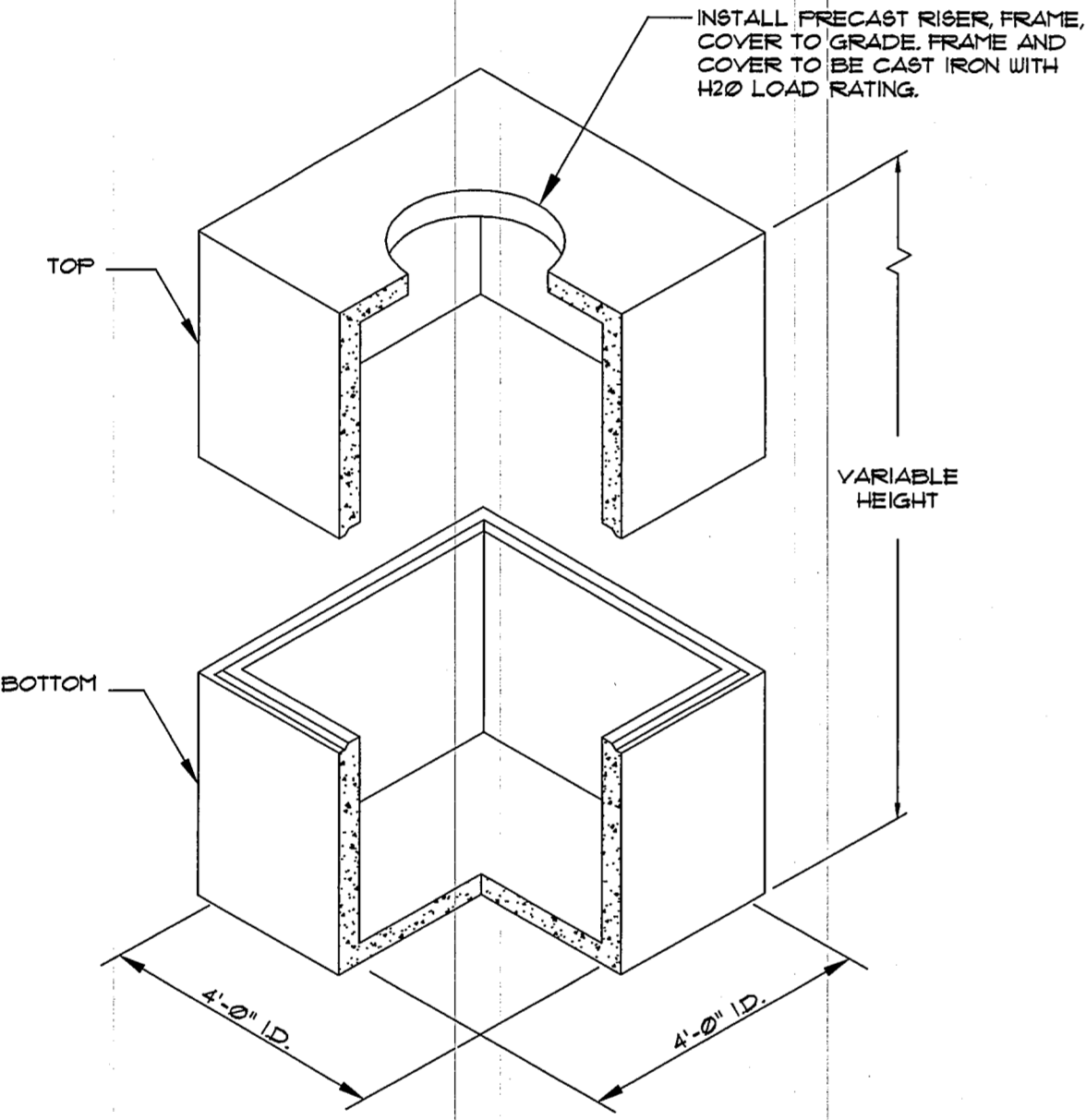


SEWER / FOUNDATION DRAIN SERVICE CONNECTION
NOT TO SCALE

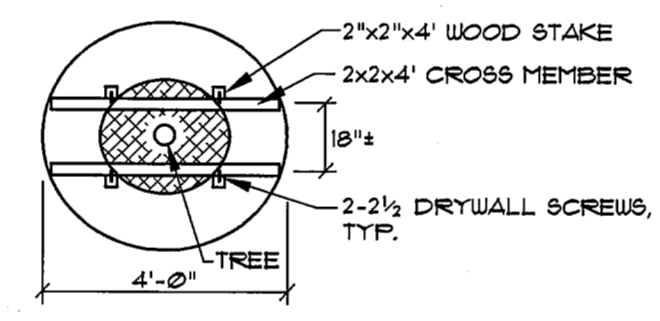
- NOTES:**
1. INSTALL BACKFLOW VALVE WITH RUBBER SEAL IN EACH FOUNDATION DRAIN SERVICE.
 2. IF SUMP PUMP IS UTILIZED INSTALL CHECK VALVE AT SUMP PUMP.



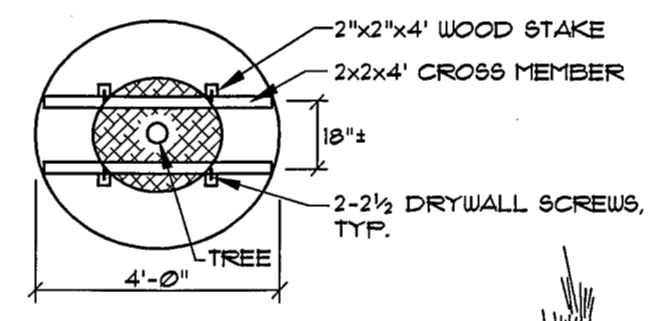
FIRE PROTECTION STAND PIPE
NOT TO SCALE



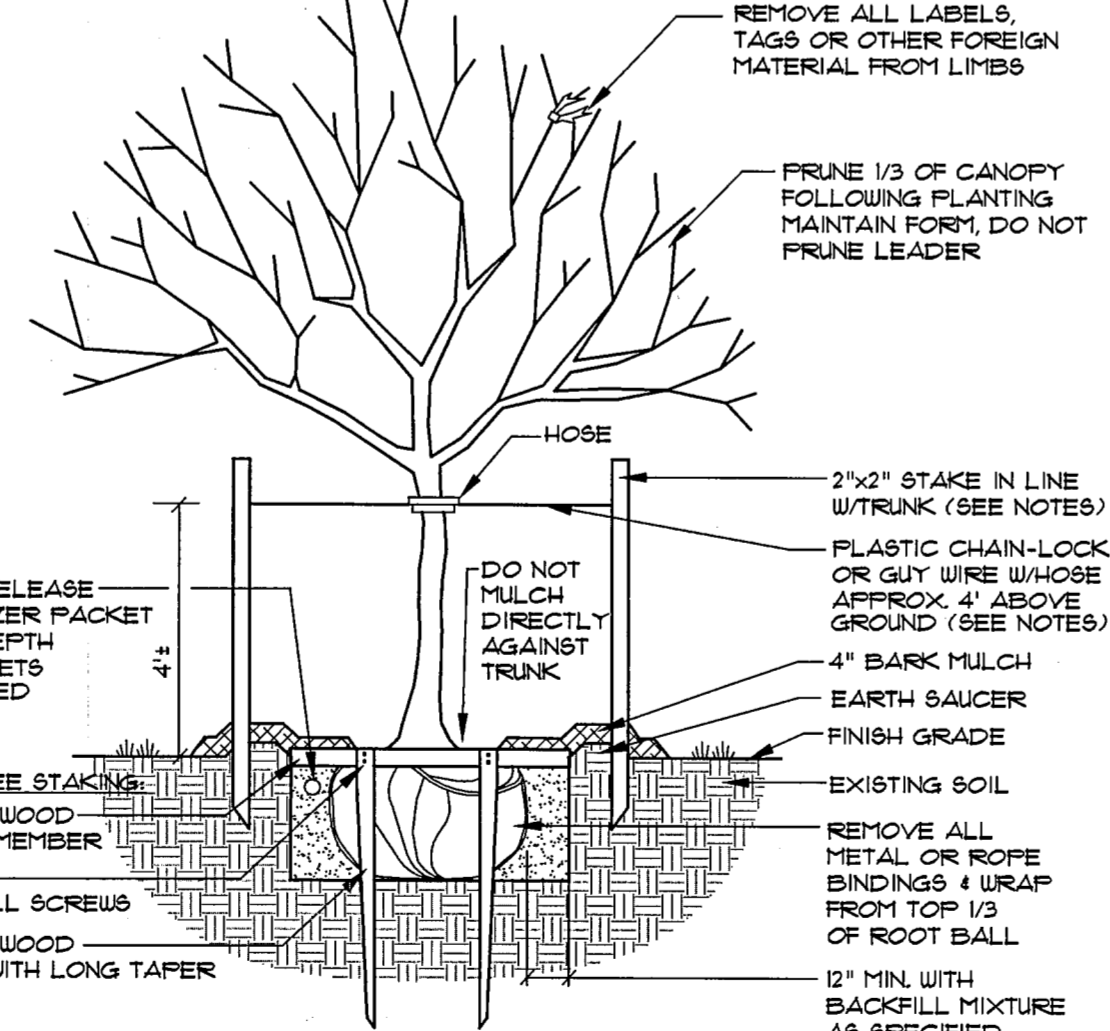
UTILITY MANHOLE
NOT TO SCALE



ALT. TREE STAKING PLAN
NOT TO SCALE

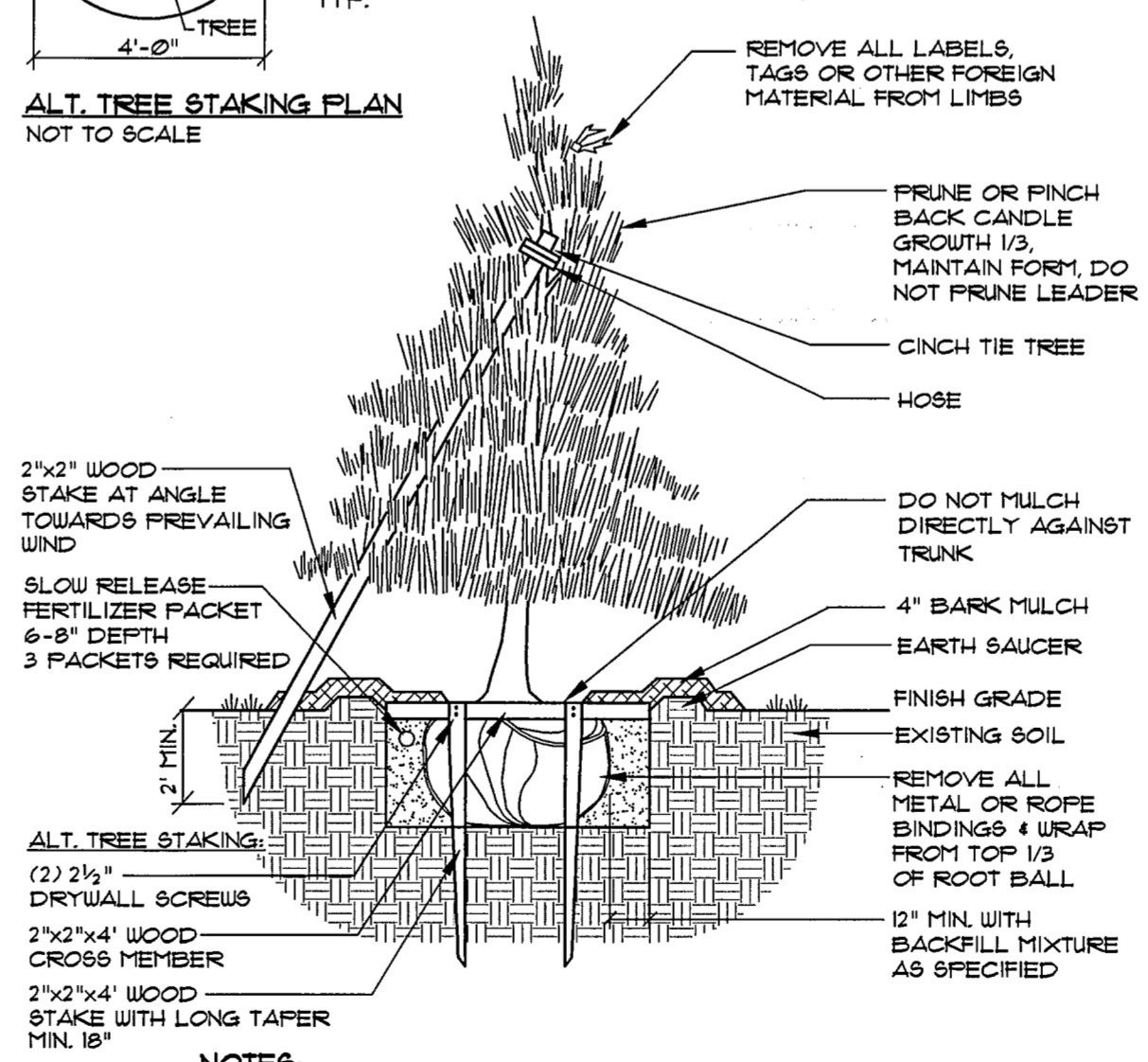


ALT. TREE STAKING PLAN
NOT TO SCALE



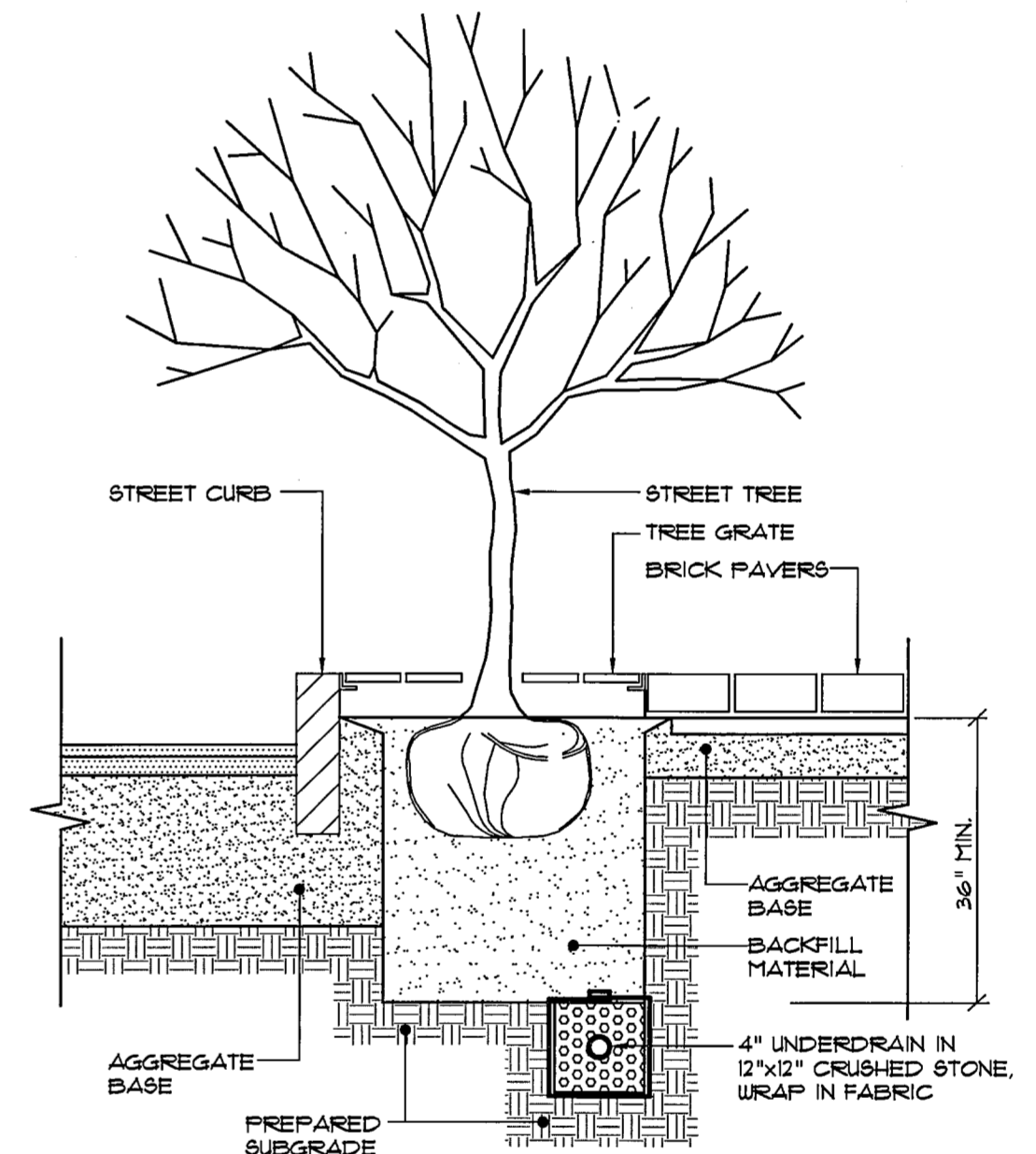
- NOTES:**
1. THE TREE IS OF SUBSTANTIAL SIZE.
 2. THE PLANTING LOCATION IS EXTREMELY WINDY, AS ON OPEN UNDEVELOPED SITES.
 3. THE PLANTING LOCATION IS COMPRISED OF SAND OR OTHER LOOSE TEXTURED SOILS.
 4. IF STAKES AND GUYS ARE REQUIRED, REMOVE AFTER ONE YEAR TIME.

DECIDUOUS TREES 2" TO 4" CALIFER
NOT TO SCALE

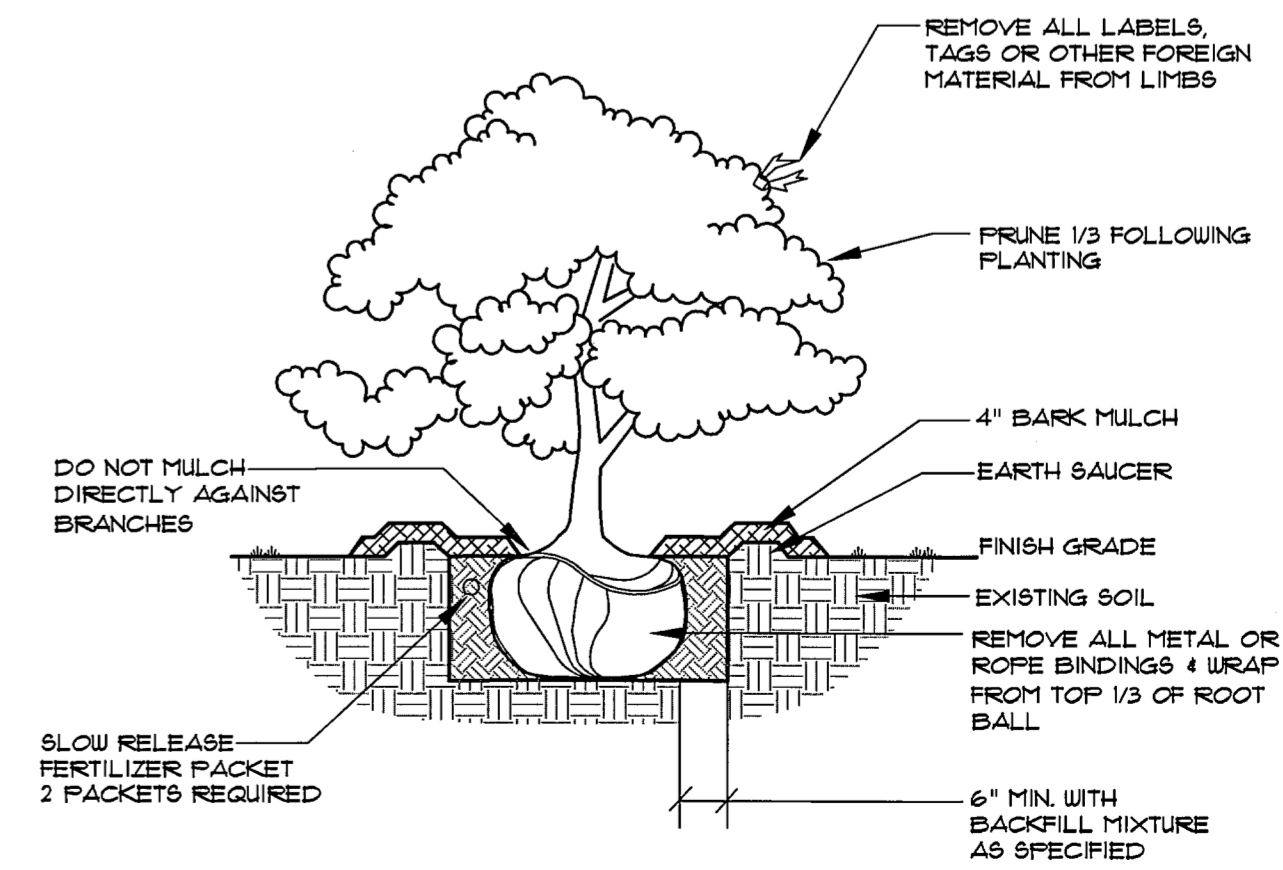


- NOTES:**
1. THE TREE IS OF SUBSTANTIAL SIZE.
 2. THE PLANTING LOCATION IS EXTREMELY WINDY, AS ON OPEN UNDEVELOPED SITES.
 3. THE PLANTING LOCATION IS COMPRISED OF SAND OR OTHER LOOSE TEXTURED SOILS.
 4. IF STAKES AND GUYS ARE REQUIRED, REMOVE AFTER ONE YEAR TIME.

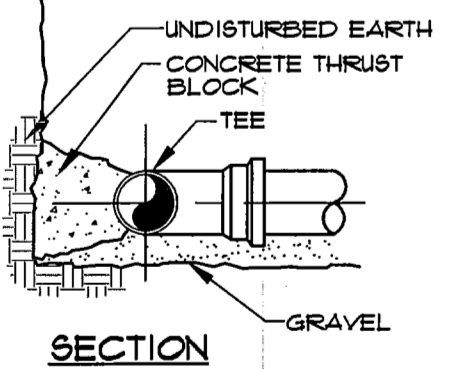
DECIDUOUS TREES UNDER 2" CALIFER OR UNDER 8' IN HEIGHT
EVERGREEN TREES 1"-2" IN HEIGHT & UNDER
NOT TO SCALE



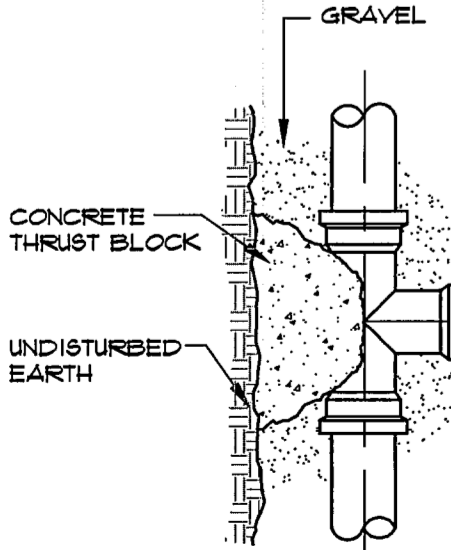
TREE PIT DETAIL
NOT TO SCALE



DECIDUOUS & EVERGREEN SHRUB
NOT TO SCALE

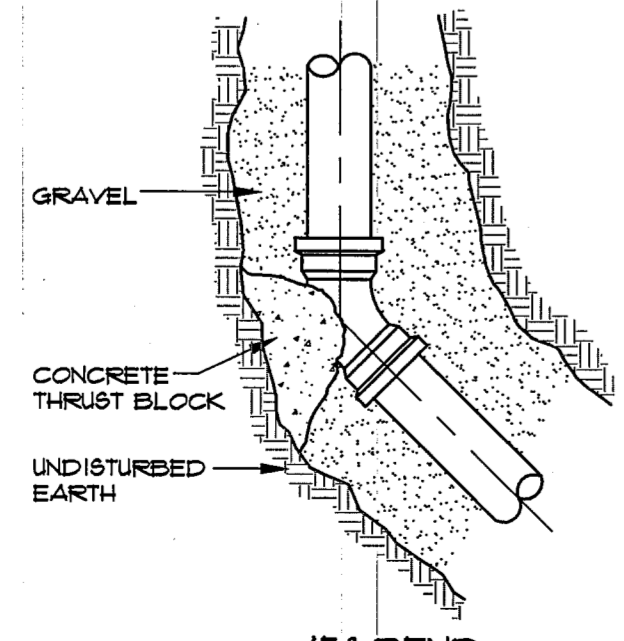


SECTION

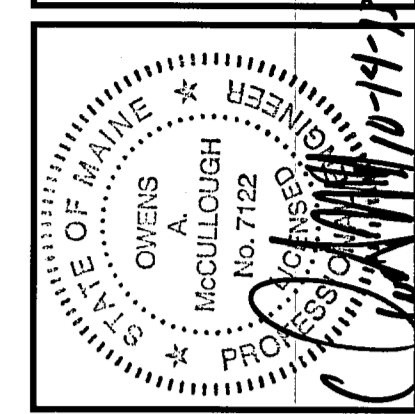


TEE AND BEND DETAIL
NOT TO SCALE

FITTINGS	CONCRETE THRUST BLOCK SIZE REQUIREMENTS			
	S.Q. FT. OF BEARING ON UNDISTURBED SOIL		45° BENDS, TEES AND FLUGS	
PIPE SIZE	6"	8"	10"	12"
	4.0	8.0	10	12



45° BEND



REV.	BY:	DATE:	STATUS:
E	WTC	10-15-13	CITY SUBMITTAL 6
D	WTC	10-03-13	CITY SUBMITTAL 5
C	WTC	09-17-13	CITY SUBMITTAL 4
B	WTC	09-03-13	CITY SUBMITTAL 3
A	WTC	07-29-13	SUBMIT SITE PLAN APPLICATION TO CITY

SEBAGO TECHNICS
WWW.SEAGOTECHNICS.COM
76 Park Road, Suite B
South Portland, ME 04106
Tel: 207-883-8566

PROJECT NO. 13251
FIELD BOOK DESIGN CHKO DRAWN WTC MAL

DETAILS
OF:
SEAPORT LOFTS
NEWBURY / HANCOCK STREET
PORTLAND, MAINE
FOR:
113 NEWBURY STREET, LLC
35 FAY STREET, SUITE 407B
BOSTON, MA 02118-4520

DATE: 07-26-13
SCALE: AS SHOWN

SHEET 13 OF 14