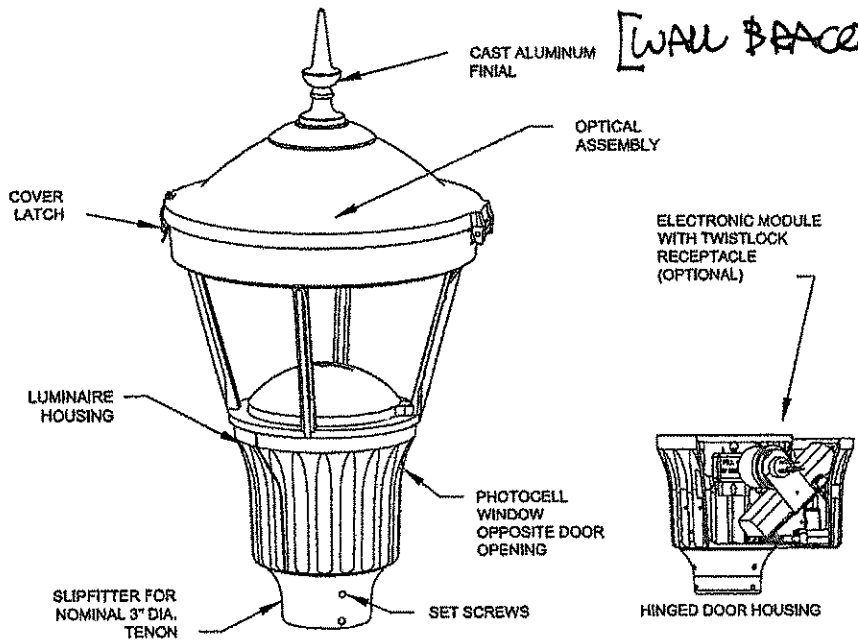
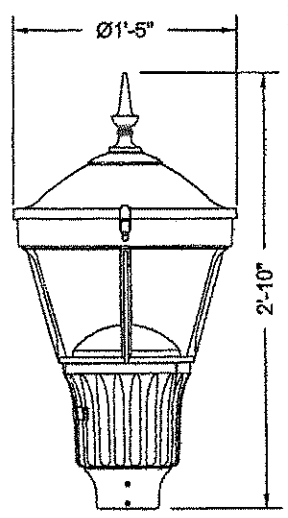


City Submittal 4 - Attachment 1

Maximum weight - 39 lbs  
Maximum effective projected area - 1.24 sq. ft.

[REVISED 10-15-13]  
[WALL BRACKET]



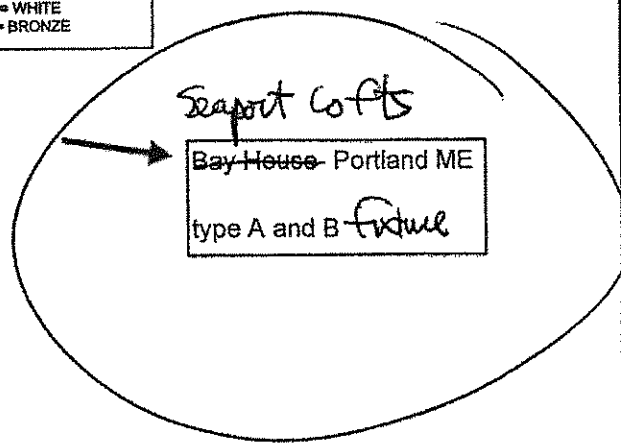
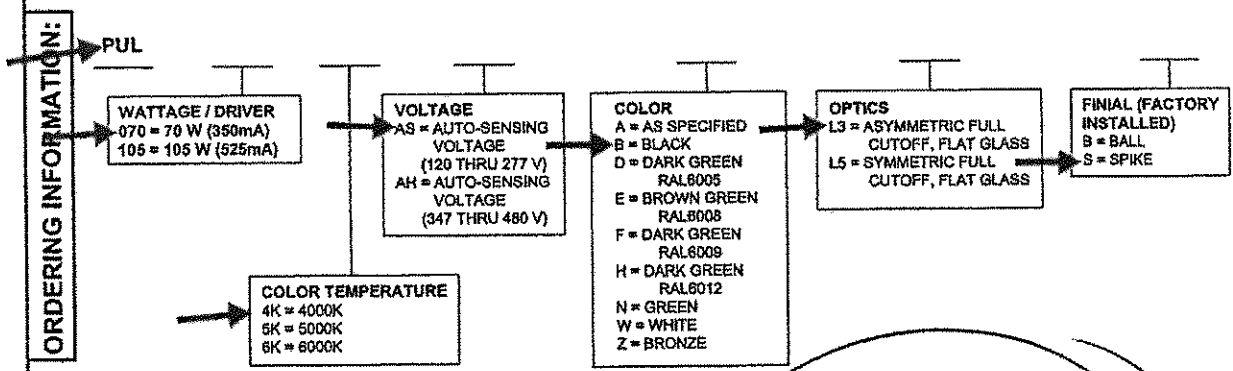
Utility Postop  
Series Luminaire  
Full Cutoff LED

DECORATIVE  
OUTDOOR

**HOLOPHANE**  
LEADER IN LIGHTING SOLUTIONS  
An Acuity Brands Company

©2010 ACUITY BRANDS LIGHTING INC. All Rights Reserved

EXAMPLE: PUL 070 6K AS B L3 S

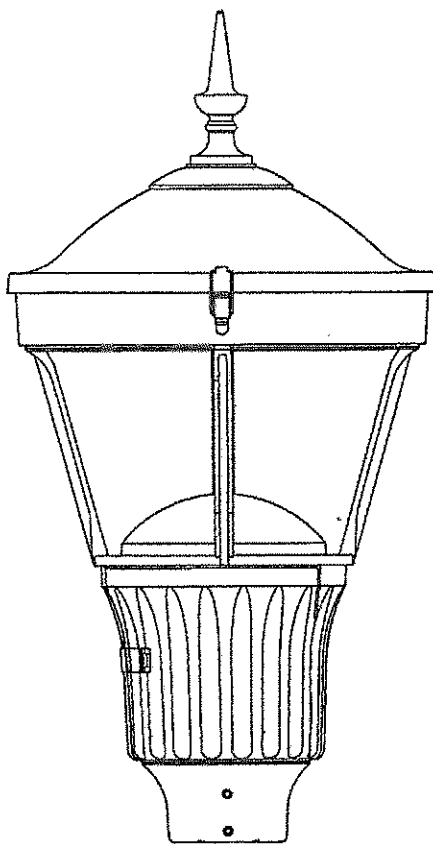


- OPTIONS**
- DM = 0-10V DIMMING
  - H = NEMA TWISTLOCK PHOTOCONTROL RECEPTACLE ONLY
  - L03 = 3 FEET OF PREWIRED LEADS\*
  - L10 = 10 FEET OF PREWIRED LEADS\*
  - L20 = 20 FEET OF PREWIRED LEADS\*
  - L25 = 25 FEET OF PREWIRED LEADS\*
  - L30 = 30 FEET OF PREWIRED LEADS\*
  - PCS = DTL SOLID-STATE LIGHTING PHOTOCONTROL 120-277 VOLT (MUST BE USED WITH OPTION "H")
  - P34 = DTL TWISTLOCK PHOTOCONTROL 347 VOLT (MUST BE USED WITH OPTION "H")
  - P48 = DTL TWISTLOCK PHOTOCONTROL 480 VOLT (MUST BE USED WITH OPTION "H")
  - PSC = SHORTING CAP (MUST BE USED WITH OPTION "H")

\*UNIT IS PROVIDED WITH 2 FEET OF PREWIRED LEADS UNLESS OTHERWISE SPECIFIED

THIS DRAWING, WHEN APPROVED, SHALL BECOME THE COMPLETE SPECIFICATION FOR THE MATERIAL TO BE FURNISHED BY HOLOPHANE ON THE ORDER NOTED ABOVE. A UNIT OF SIMILAR DESIGN MAY BE SUPPLIED, BUT ONLY AFTER APPROVAL BY HOLOPHANE. HOLOPHANE WILL BE SUPPLIED WITH EACH ANCHOR BOX TO INSULATE FROM WALL. PROVIDED, THIS PRINT IS THE PROPERTY OF HOLOPHANE AND IS LOANED SUBJECT TO RETURN UPON REQUEST. HOLOPHANE IS NOT RESPONSIBLE FOR ANY WAY DETRIMENTAL TO OUR INTERESTS, AND ONLY IN CONNECTION WITH MATERIAL FURNISHED BY HOLOPHANE.

ORDER #: \_\_\_\_\_  
TYPE: \_\_\_\_\_  
DRAWN: SGK  
DATE: 05/04/11  
DWG #: LUM\_PUL



**FINIALS**

BALL



SPIKE



**Specifications**

**GENERAL DESCRIPTION**

The Utility Postop LED is designed for ease of maintenance with the plug-in driver module common to each of the luminaires in Holophane's Utility Luminaire Series. A precision optical system maximizes post spacings while maintaining uniform illumination.

**OPTICAL SYSTEM**

The optical system consists of a precisely engineered LED circuit board located in the top cover. A gasket between the cover and ring along with a flat glass plate and gasket beneath the reflector create a sealed optical compartment that meets an IP rating. Optics designed to provide an I.E.S. Asymmetric or Symmetric full cutoff distribution are available.

**LUMINAIRE HOUSING**

The luminaire housing, cast of aluminum, anchors the optical system and provides an enclosure for the plug in electrical module. The electrical enclosure conforms to an IP55 rating. For use with units with an E.E.I.-N.E.M.A. twist lock photocell receptacle, the housing contains a glass "window" to allow light to reach the cell. The nickel plated lamp grip socket and the three station incoming line terminal block are pre-wired to a five conductor receptacle for ease in connecting the electrical module. A slipfitter will accept a 3" high by 2 7/8" to 3 1/8" O.D. pole tenon.

**LUMINAIRE HOUSING DOOR**

Cast of aluminum, the housing door is hinged and latched to the housing. The door forms the mount for the electrical module, and allows easy access during maintenance.

**ELECTRICAL MODULE**

The electrical components are mounted to an aluminum plate that is removable with standard tools. A matching five plug connector connects the electrical components to the surge protector for quick replacement. For Photoelectric operation, the electrical module is provided with an E.E.I.-N.E.M.A. twist lock Photocell receptacle.

**TOP COVER**

The top cover, cast of aluminum, is attached to the top ring of the luminaire housing by a stainless steel hinge pin. The cover is latched by an overcenter, positive action, stainless steel latch which allows tool-less entry to the lamp chamber for relamping.

**DRIVER**

Voltage sensing 120-277V or 347-480V, 50/60 Hz electronic drivers are >90% efficient. Potted for increased thermal management. Removable through hinged door housing. Available with 0-10V dimming control signal input. Refer to Driver Data Sheet for specific operating characteristics.

**FINISH**

The luminaire is finished with polyester powder paint applied to ensure maximum durability.

**UL**

The luminaire is UL listed as suitable for wet locations at a maximum of 40 degrees C ambient temperature.

**Utility Postop<sup>®</sup>  
Series Luminaire  
Full Cutoff LED**

**DECORATIVE  
OUTDOOR**

**HOLOPHANE<sup>®</sup>**  
LEADER IN LIGHTING SOLUTIONS  
An *Acuity Brands* Company

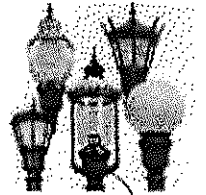
THIS DRAWING, WHEN APPROVED, SHALL BECOME THE COMPLETE SPECIFICATION FOR THE MATERIAL TO BE FURNISHED BY HOLOPHANE ON THE ORDER NOTED ABOVE. A UNIT OF SIMILAR DESIGN MAY BE SUBMITTED FOR CONSIDERATION. THE DRAWING SHALL BE THE BASIS FOR ALL QUOTES. AN ANCHOR BOLT TYPICAL PRINT WILL BE SUPPLIED WITH EACH ANCHOR BOLT ORDER TO MATCH THE POLE PROVIDED. THIS PRINT IS THE PROPERTY OF HOLOPHANE AND IS LOANED TO YOU FOR YOUR INFORMATION ONLY. IT IS NOT TO BE REPRODUCED OR USED IN ANY MANNER WITHOUT THE WRITTEN PERMISSION OF HOLOPHANE. CONNECTION WITH MATERIAL FURNISHED BY HOLOPHANE.

ORDER #: \_\_\_\_\_  
TYPE: \_\_\_\_\_  
DRAWN: SGK  
DATE: 05/04/11  
DWG #: LUM\_PUL

**OUTDOOR PHOTOMETRIC REPORT**  
 CATALOG: PUL0704KASXL3X

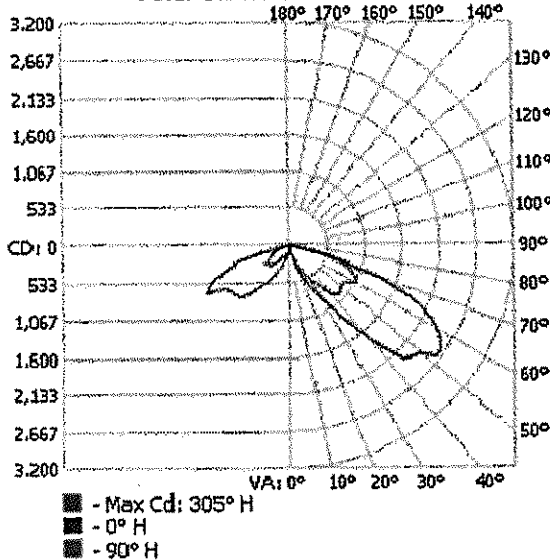


TEST #: 500660  
 TEST LAB: ACUITY BRANDS LIGHTING GRANVILLE LAB  
 ISSUE DATE: 6/20/2011  
 CATALOG #: PUL0704KASXL3X  
 LUMINAIRE: FCO LED POST TOP SERIES  
 LAMP CAT #: 70W LED ARRAY  
 LAMP: 70W LED ARRAY  
 LAMP OUTPUT: 1 LAMP, TOTAL LUMINAIRE LUMENS: 4677.7  
 TEST BASED ON ABSOLUTE PHOTOMETRY \*  
 BALLASTCAT: BL-1141  
 BALLAST: 120V 70W 350MA ELECTRONIC LED DRIVER  
 INPUT WATTAGE: 70  
 LUMINOUS OPENING: CIRCULAR (DIA: 3")  
 MAX CD: 3,124.0 AT HORIZONTAL: 305°, VERTICAL: 62.5°  
 ROADWAY CLASS: SHORT, TYPE III

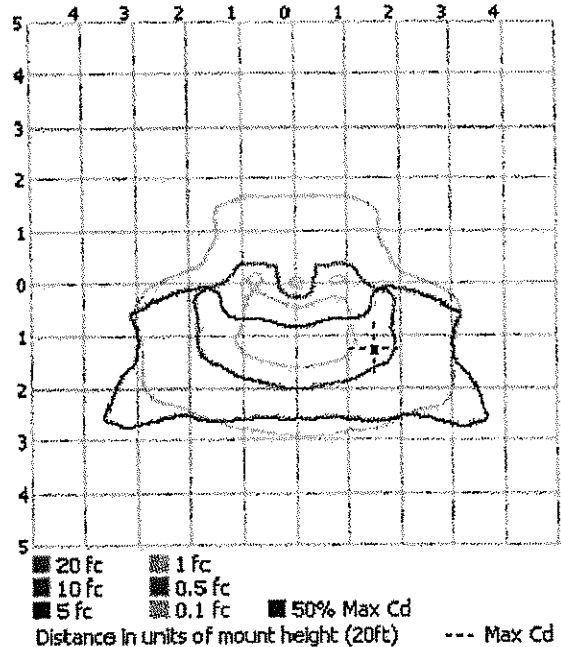


*Seaport Cofts*  
 Bay House - Portland, ME  
 type A and B

**Polar Candela Distribution**



**Isofootcandle Plot**



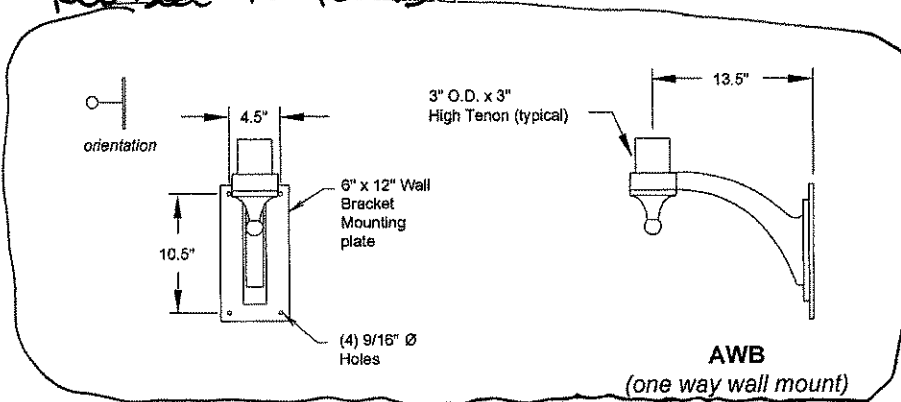
\*TEST BASED ON ABSOLUTE PHOTOMETRY WHERE LAMP LUMENS=LUMENS TOTAL.  
 \*CUTOFF CLASSIFICATION AND EFFICIENCY CANNOT BE PROPERLY CALCULATED FOR ABSOLUTE PHOTOMETRY.

VISUAL PHOTOMETRIC TOOL 1.2.44 COPYRIGHT 2013, ACUITY BRANDS LIGHTING  
 REPORTED DATA CALCULATED FROM MANUFACTURER'S DATA FILE, BASED ON IESNA RECOMMENDED METHODS.

Seaport Lofts  
Wall Bracket  
Revised 10.15.13

# ANNAPOLIS Series

## Crossarms & Wall Bracket



### SPECIFICATIONS

#### CONSTRUCTION

The crossarms and wall brackets shall be one-piece construction. The arms shall be welded to a center spool. For wall brackets the arms shall be welded to a flat wall plate. All welding shall be per ANSI/AWS D1.2-90. All welders shall be certified per ANSI/AWS D1.2-90 Section 5.

#### MATERIALS

The arms, finials, and center spool tenons, shall be heavy wall, cast aluminum produced from certified ASTM 356.1 ingot per ASTM B-179-95a or ASTM B26-95. The center spool and wall bracket mounting plate shall be aluminum, ASTM 6061 alloy, heat treated to a T6 temper. All hardware shall be stainless steel. All exterior hardware shall be tamper resistant.

#### INSTALLATION

The crossarms shall slip-fit a post top tenon and attach with socket set screws. The center finial shall be removable. The wall bracket shall have four 9/16" dia. holes for mounting to the wall. (Bracket mounting hardware furnished by others.) Both crossarms and wall bracket shall have 3" O.D. tenons for luminaire mounting.

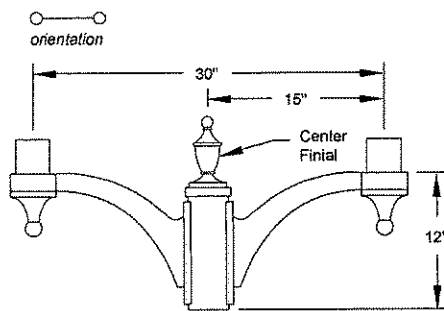
For finish specifications and color options see "Finish" section in catalog.

#### ORDERING GUIDE

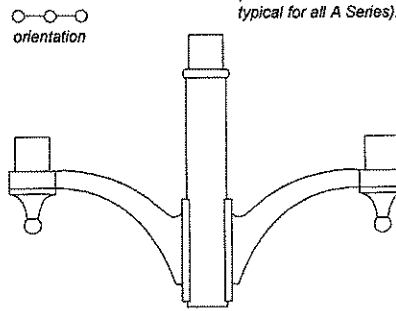
Arms & Bracket Catalog #'s	Number of Luminaires Required
<input type="checkbox"/> AWB	one
<input type="checkbox"/> ACA/2	two
<input type="checkbox"/> ACA/2T	three
<input type="checkbox"/> ACA/3	three
<input type="checkbox"/> ACA/3T	four
<input type="checkbox"/> ACA/4	four
<input type="checkbox"/> ACA/4T	five

#### Material / Finish

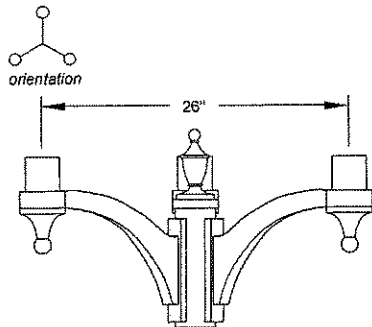
<input type="checkbox"/> -CA/BK	Cast Alum/Black
<input type="checkbox"/> -CA/DB	Cast Alum/Dark Bronze
<input type="checkbox"/> -CA/DG	Cast Alum/Dark Green
<input type="checkbox"/> -CA/PP	Cast Alum/Prime Painted
<input type="checkbox"/> -CA/CC	Cast Alum/Custom Color



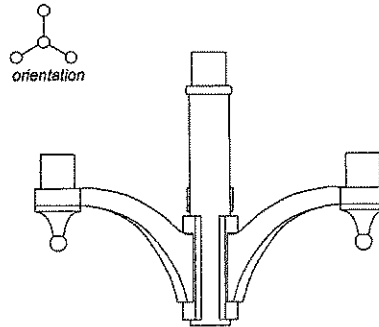
**ACA/2**  
(two at 180°)



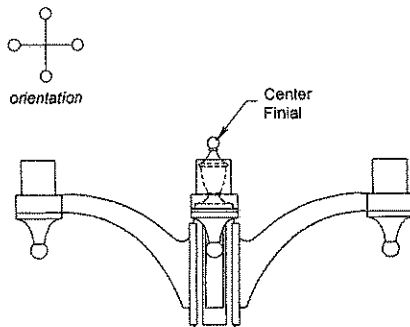
**ACA/2T**  
(two at 180° w/ one at center)



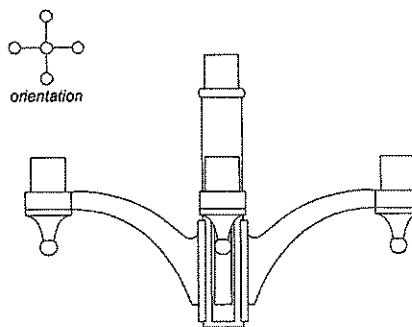
**ACA/3**  
(three at 120°)



**ACA/3T**  
(three at 120° w/ one at center)



**ACA/4**  
(four at 90°)

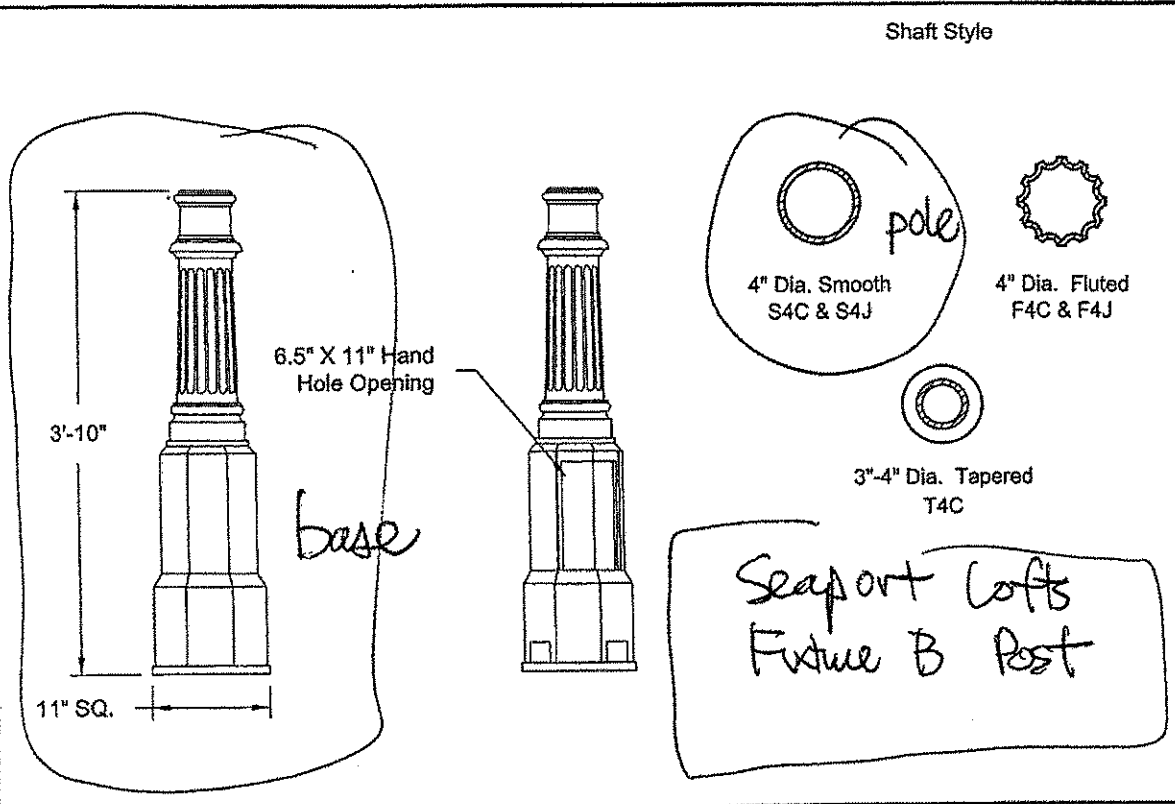


**ACA/4T**  
(four at 90° w/ one at center)



**HOLOPHANE**  
LEADER IN LIGHTING SOLUTIONS  
An Acuity Brands Company

214 OAKWOOD AVENUE - NEWARK, OHIO 43055



Shaft Style

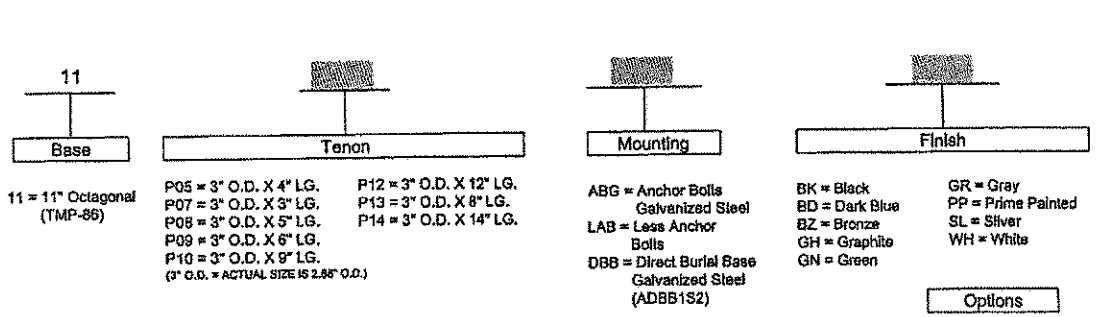
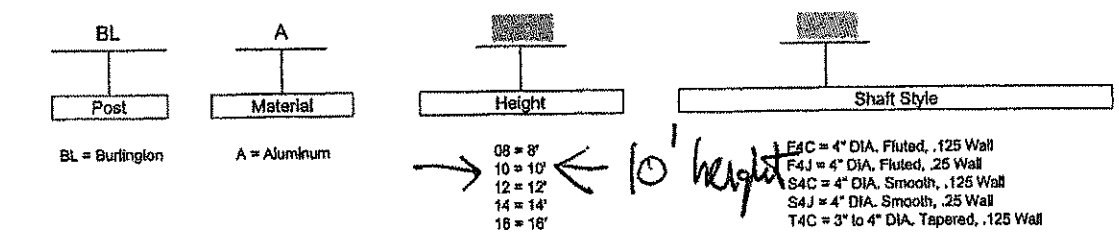
TM

**BURLINGTON**

**Aluminum Pole**

Architectural  
Outdoor

**ORDERING INFORMATION:**



**SPECIFICATIONS**

**DESCRIPTION**

The lighting post shall be all aluminum, one-piece construction, with a classic tapered and fluted base design.

**MATERIALS**

The base and fluted tapered cast shaft shall be heavy wall, cast aluminum produced from certified ASTM 356.1 Ingot per ASTM B-179-95a or ASTM B26-95. The straight shafts shall be extruded from aluminum, ASTM 6061 alloy, heat treated to a T6 temper. The tapered shaft shall be extruded from aluminum, ASTM 6063 alloy, spun to a tapered shape, then heat treated to a T6 temper. All hardware shall be tamper resistant stainless steel. Anchor bolts to be completely hot dip galvanized.

**CONSTRUCTION**

The shaft shall be double welded to the base casting and shipped as one piece for maximum structural integrity. The shaft shall be welded inside the base casting at the top of the access door, and externally where the shaft exits the base. All welding shall be per ANSI/AWS

**DIMENSIONS**

The post shall be X'-XX" in height with a 11" octagonal base. The shaft diameter shall be XX". At the top of the post, an integral tenon with a transitional donut shall be provided for luminaire mounting.

**INSTALLATION**

The post shall be provided with four, hot dip galvanized L-type anchor bolts. A door shall be provided in the base for anchorage and wiring access. A grounding screw shall be provided inside the base opposite the door.

\* - "XXX" in provision height can be up to 3 digits depending on height from grade. Must use whole numbers. Leading zeros are not used. Example: S120A for 120 inches or S80A for 80 inches.

**HOLOPHONE**<sup>®</sup>  
 LEADER IN LIGHTING SOLUTIONS  
 An Acuity Brands Company  
 © 2010 Acuity Brands Lighting, Inc. All Rights Reserved

THIS DRAWING, WHEN APPROVED, SHALL BECOME THE COMPLETE SPECIFICATION FOR THE MATERIAL TO BE FURNISHED BY HOLOPHONE. THE MATERIAL SHALL BE SUPPLIED BY HOLOPHONE OR SUPPLIER, BUT ONLY AFTER APPROVAL BY THE CUSTOMER IN WRITING. ON POLE ORDERS AN ANCHOR BOLT TOLERANCE PRINT WILL BE SUPPLIED WITH EACH ANCHOR BOLT ORDER TO MATCH THE POLE ORDER. THE CUSTOMER SHALL BE RESPONSIBLE FOR OBTAINING A LOANED BLANKET TO RETURN UPON DEMAND AND UPON EXPRESS CONDITION THAT IT WILL NOT BE USED DIRECTLY OR INDIRECTLY IN ANY WAY OR INSTANTIAL OR FUTURE CONNECTION WITH HOLOPHONE OR CONNECTION WITH ANY OTHER COMPANY.

ORDER #:	TYPE:	DRAWN: ACH	DATE: 03/22/11
			DWG #: POL_BLA
1 of 3			