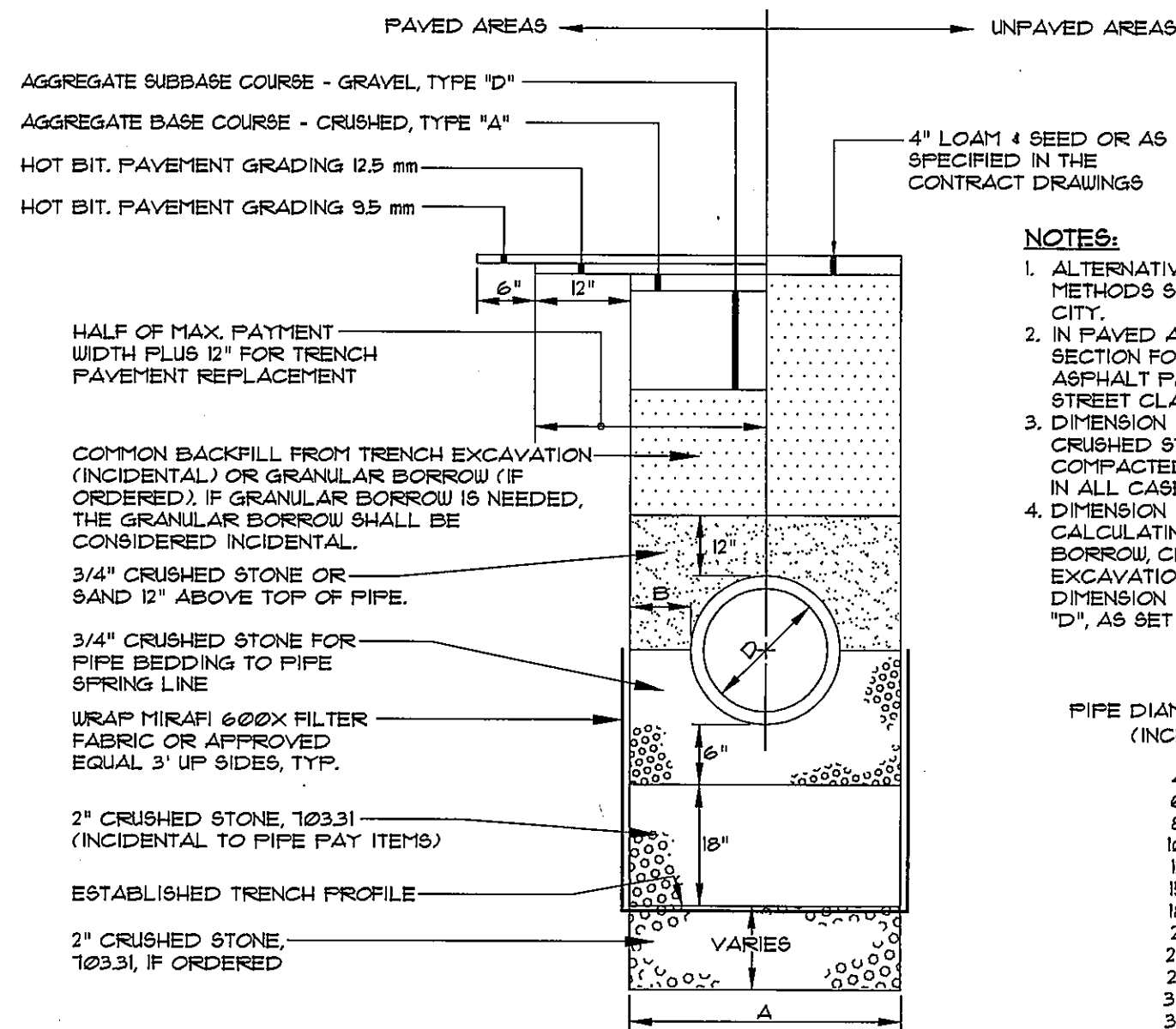


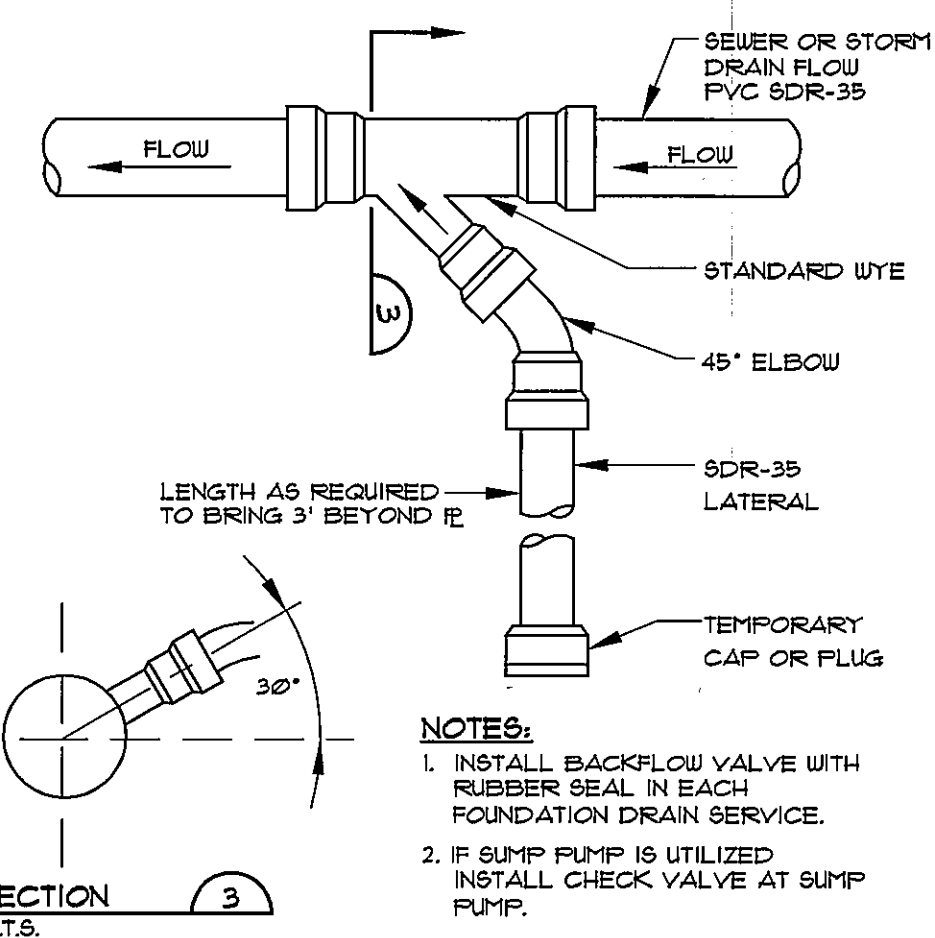
TYPICAL LIGHT POLE BASE
NOT TO SCALE

- NOTES:**
1. CONCRETE FC=4000 PSI.
 2. REINF. STEEL GRADE #6 NEW BARS.
 3. CONCRETE 3/4\"/>



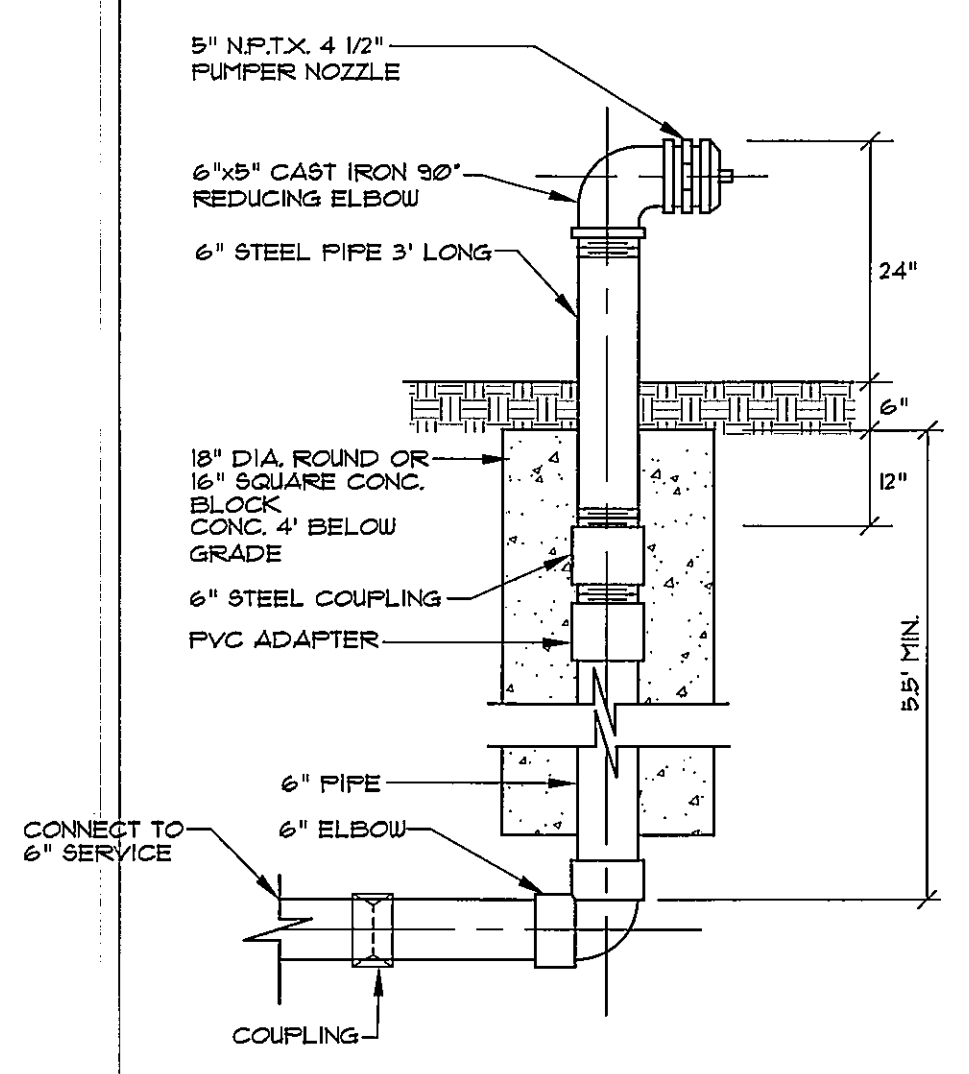
TYPICAL PIPE INSTALLATION DETAIL
NOT TO SCALE

| PIPE DIAMETER, "D" (INCHES) | MAX. TRENCH WIDTH, "A" (FEET) |
|-----------------------------|-------------------------------|
| 4 | 4.0 |
| 6 | 4.0 |
| 8 | 4.0 |
| 10 | 4.0 |
| 12 | 4.0 |
| 15 | 5.0 |
| 21 | 5.0 |
| 24 | 5.5 |
| 27 | 6.0 |
| 30 | 6.0 |
| 36 | 7.0 |
| 42 | 8.0 |
| 48 | 9.0 |

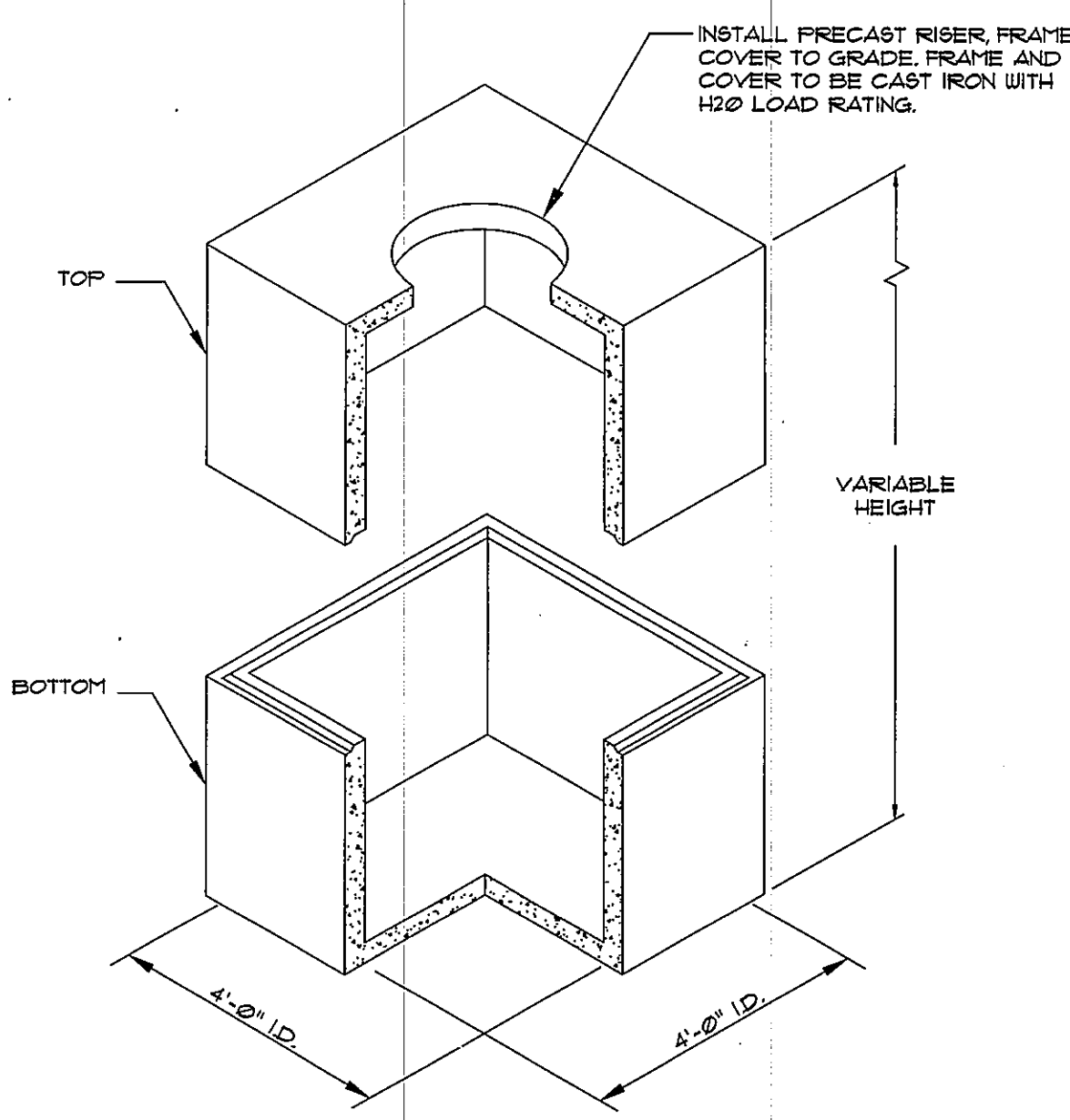


SEWER / FOUNDATION DRAIN SERVICE CONNECTION
NOT TO SCALE

- NOTES:**
1. INSTALL BACKFLOW VALVE WITH RUBBER SEAL IN EACH FOUNDATION DRAIN SERVICE.
 2. IF SUMP PUMP IS UTILIZED, INSTALL CHECK VALVE AT SUMP PUMP.

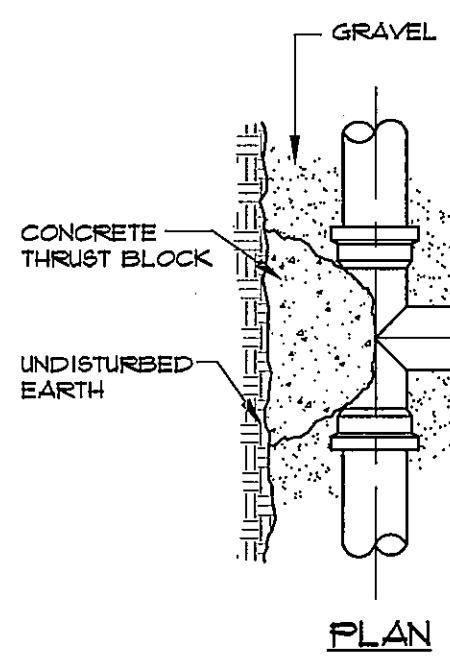
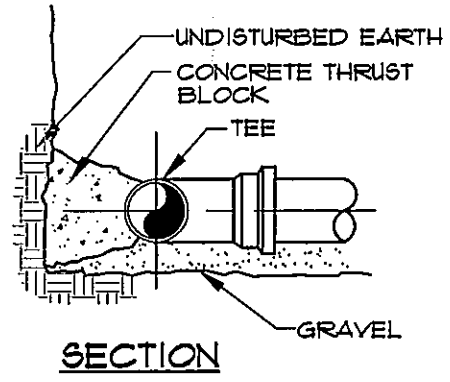


FIRE PROTECTION STAND PIPE
NOT TO SCALE

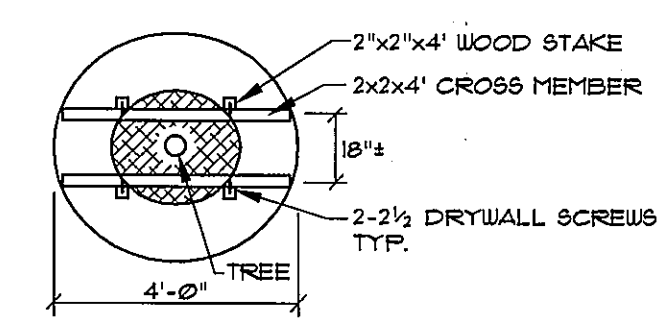
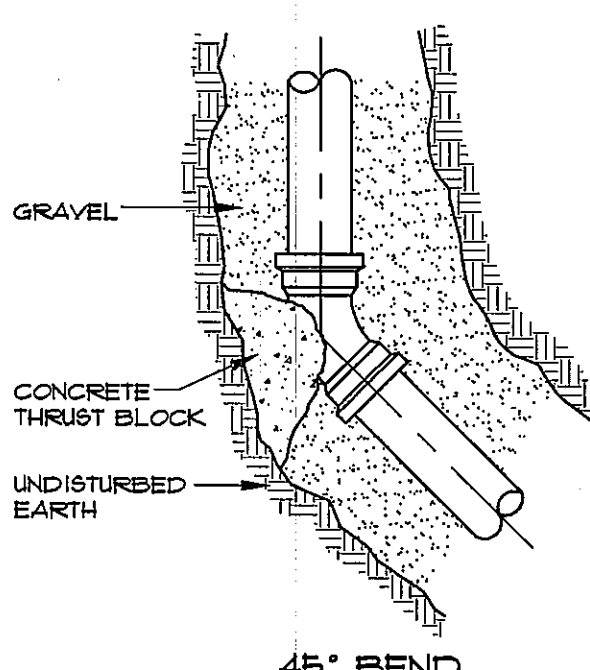


UTILITY MANHOLE
NOT TO SCALE

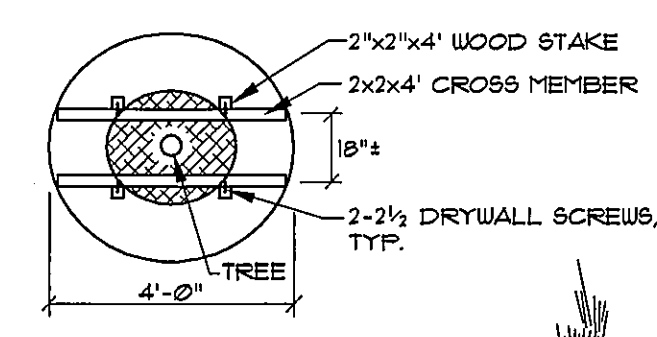
| FITTINGS | CONCRETE THRUST BLOCK SIZE REQUIREMENTS | | | |
|-----------|---|-----------|------|-----------|
| | 90° BENDS | 45° BENDS | TEES | AND PLUGS |
| PIPE SIZE | 4.0 | 2.0 | 3.0 | |
| 6" | 8.0 | 4.0 | 6.0 | |
| 8" | 15 | 10 | 10 | |



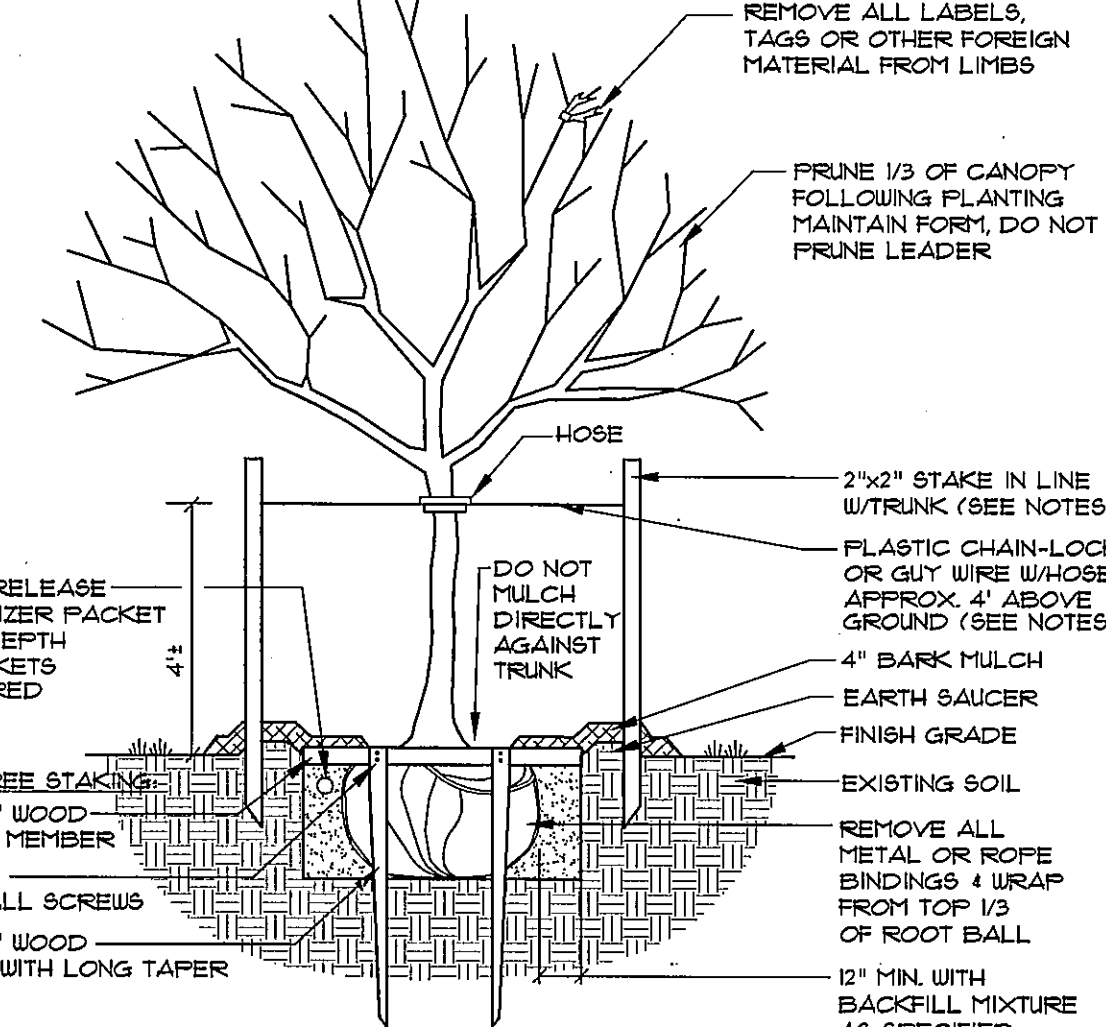
TEE AND BEND DETAIL
NOT TO SCALE



ALT. TREE STAKING PLAN
NOT TO SCALE

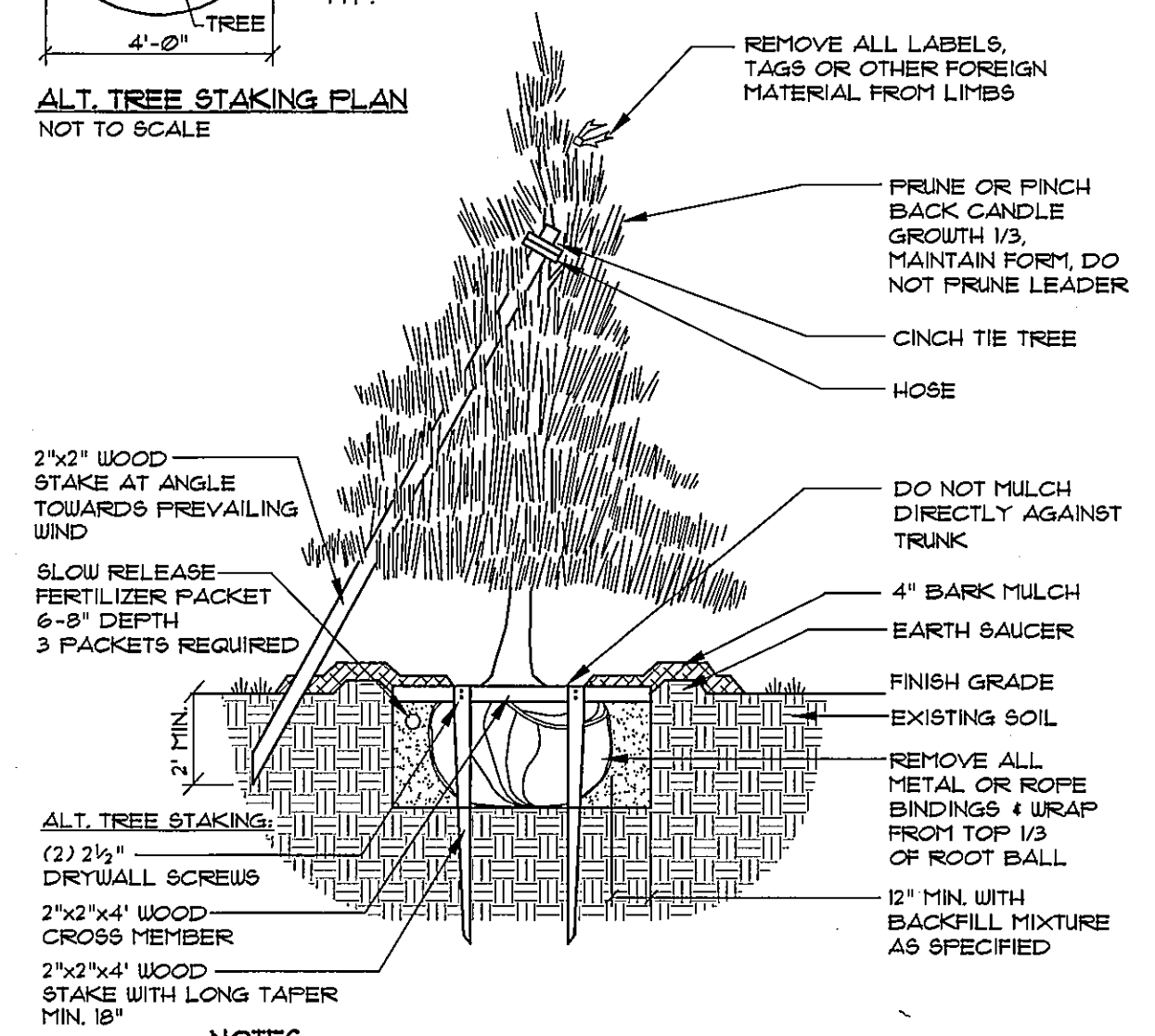


ALT. TREE STAKING PLAN
NOT TO SCALE



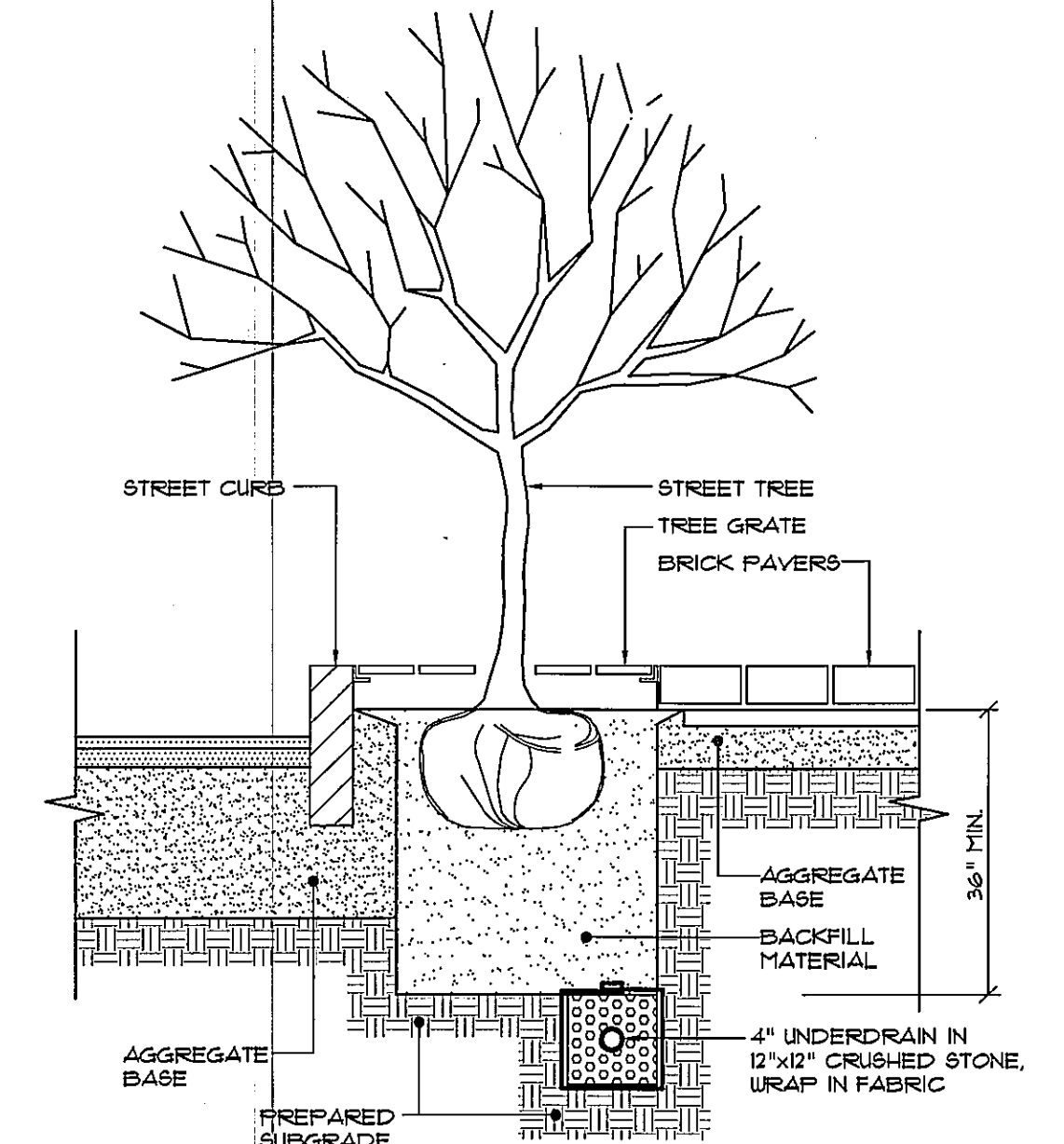
- NOTES:**
1. THE TREE IS OF SUBSTANTIAL SIZE.
 2. THE PLANTING LOCATION IS EXTREMELY WINDY, AS ON OPEN UNDEVELOPED SITES.
 3. THE PLANTING LOCATION IS COMPRISED OF SAND OR OTHER LOOSE TEXTURED SOILS.
 4. IF STAKES AND GUYS ARE REQUIRED, REMOVE AFTER ONE YEAR TIME.

DECIDUOUS TREES 2" TO 4" CALIBER
NOT TO SCALE

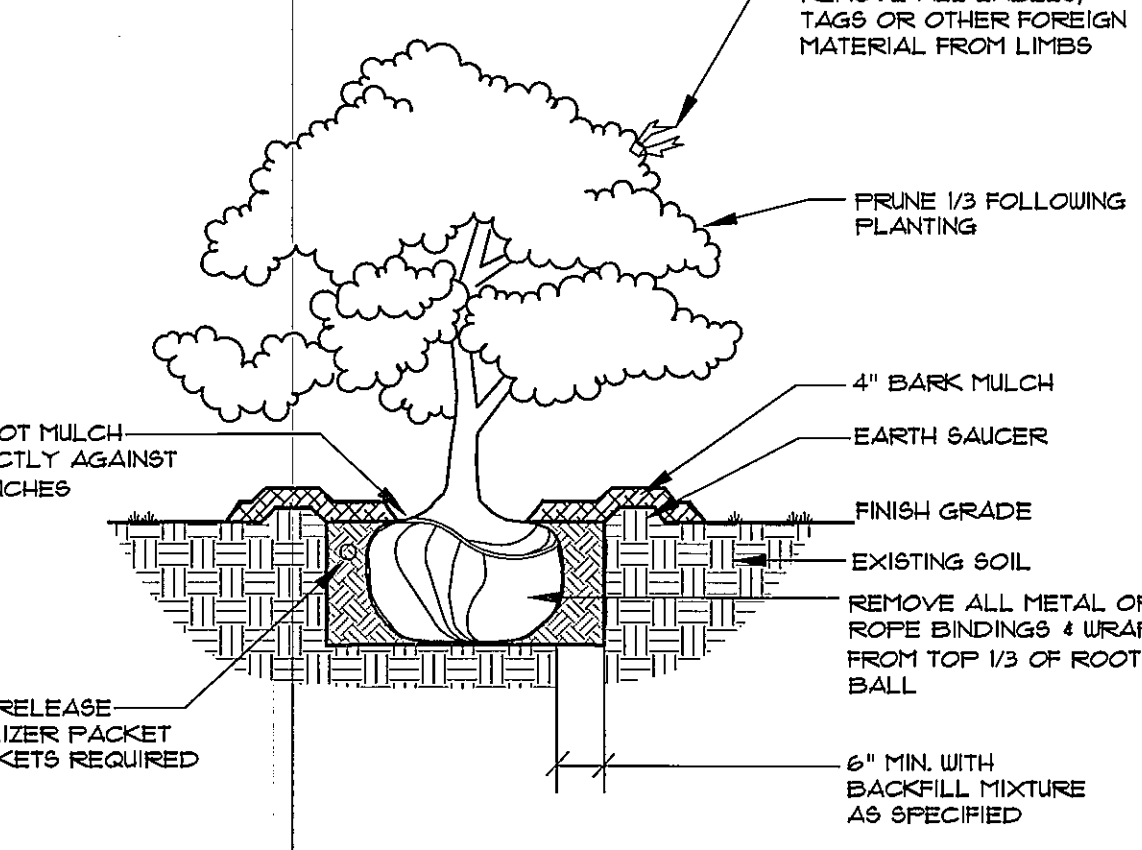


- NOTES:**
1. THE TREE IS OF SUBSTANTIAL SIZE.
 2. THE PLANTING LOCATION IS EXTREMELY WINDY, AS ON OPEN UNDEVELOPED SITES.
 3. THE PLANTING LOCATION IS COMPRISED OF SAND OR OTHER LOOSE TEXTURED SOILS.
 4. IF STAKES AND GUYS ARE REQUIRED, REMOVE AFTER ONE YEAR TIME.

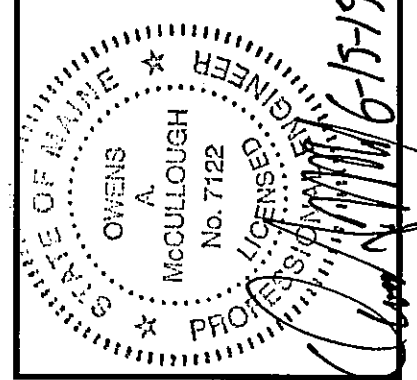
DECIDUOUS TREES UNDER 2" CALIBER OR EVERGREEN TREES 1'-0" IN HEIGHT & UNDER
NOT TO SCALE



TREE PIT DETAIL
NOT TO SCALE



DECIDUOUS & EVERGREEN SHRUB
NOT TO SCALE



| REV. | BY: | DATE: | STATUS: |
|------|-----|----------|-----------------------|
| H | WTC | 06-20-14 | CITY SUBMITTAL 8 |
| G | WTC | 06-12-14 | FOUNDATION PERMIT SET |
| F | WTC | 01-07-13 | CITY SUBMITTAL 7 |
| E | WTC | 10-15-13 | CITY SUBMITTAL 6 |
| D | WTC | 10-03-13 | CITY SUBMITTAL 5 |
| C | WTC | 09-17-13 | CITY SUBMITTAL 4 |
| B | WTC | 09-03-13 | CITY SUBMITTAL 3 |

SEBAGO TECHNICS
WWW.SEBAGOTECHNICS.COM
78 John Roberts Rd., Suite 1A
South Portland, ME 04106
Tel: 207-768-8888

DETAILS OF:
SEAPORT LOFTS
NEWBURY / HANCOCK STREET
PORTLAND, MAINE
FOR
113 NEWBURY STREET, LLC
35 FAY STREET, SUITE 107B
BOSTON, MA 02118-4320

DATE: 07-26-13
SCALE: AS SHOWN

SHEET 11 OF 12