



Call for additional listings

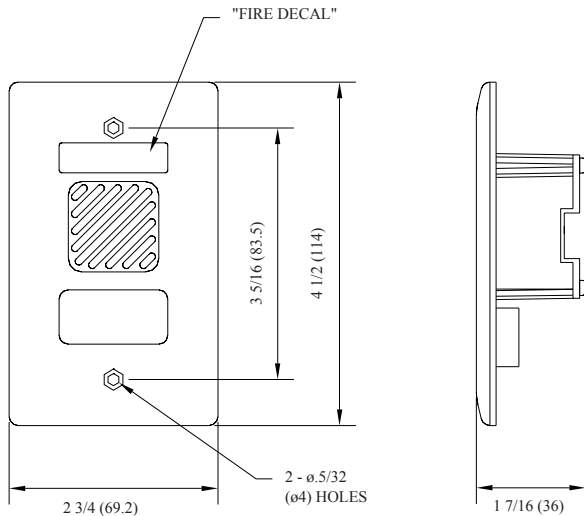
- Piezo Sounder for Fire Alarm Indoor applications
- Low current and High Sound Output
- UL and CSFM listed
- Wide range operating temperature 14°F to +140°F
- Ideal for Residential or Commercial application
- Wire lead or terminal connection for easy field wiring
- Available in red or white
- FIRE decal included

Stock number:	4560041 - MH-12/24R	Leads
	4560042 - MH-12/24W	Leads
	4560043 - MH-12/24TR	Terminals
	4560044 - MH-12/24TW	Terminals

Potter's MH-12/24 is a Low Current Piezo Remote Signaling Device. It is ideal for hotels, motels, and residential fire alarm system applications where a dependable alarm signal is required. The MH-12/24 is comprised of an ABS plastic plate and Potter's UL recognized

polarized piezo horn. It emits a high dB output of 97 (indoor measurement) drawing 15mA at 24V DC. The MH-12/24 mounts on a standard electrical gang box and is available in red or white.

Dimensions: inches (mm)



Specifications

Input Voltage	Operating Voltage Range	Wiring Type	Mounting Type	Temperature Operating Range
Regulated 12-24V DC/FWR	8-33V DC	4 Wire	Wall or Ceiling Mount	14°F-140°F (-10°C-60°C)

Operating Voltage

	Sound Level	
	UL Spherical	Indoor
10V DC	75dBA	90dBA
24V DC	82dBA	98dBA
28V DC	85dBA	100dBA

Note: Sound Level in the indoor installation may vary depending upon the space