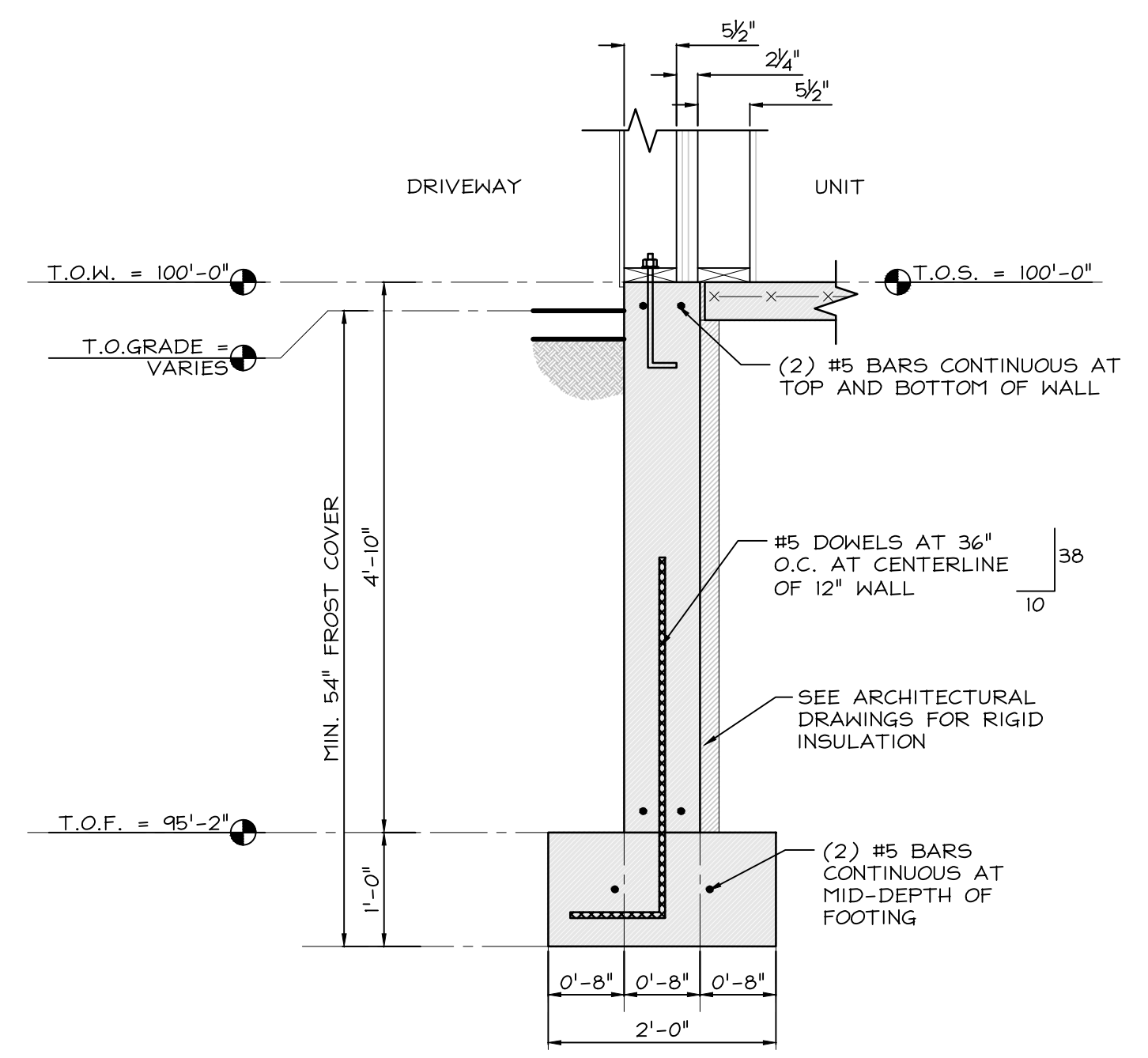
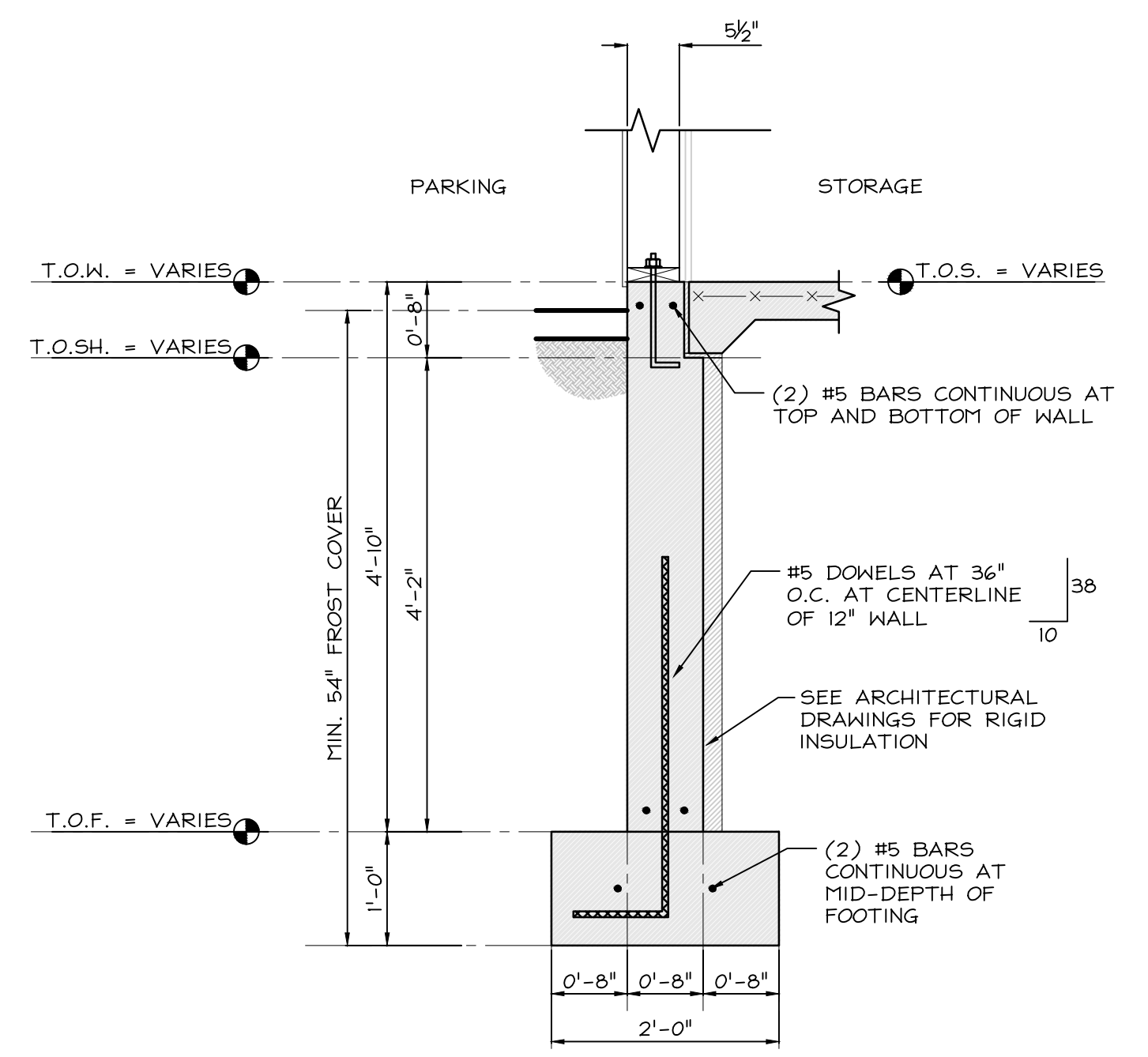


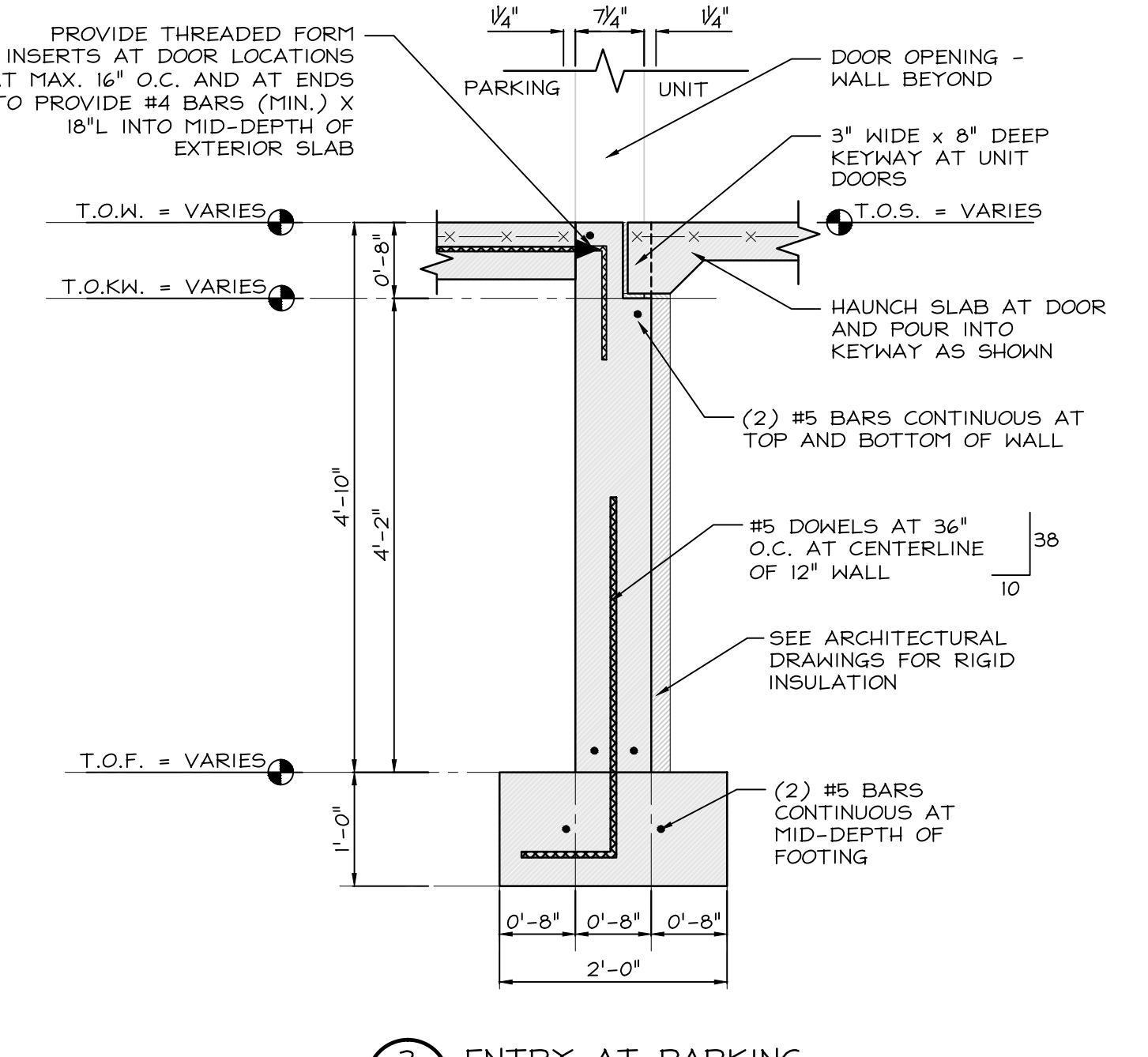
Revisions



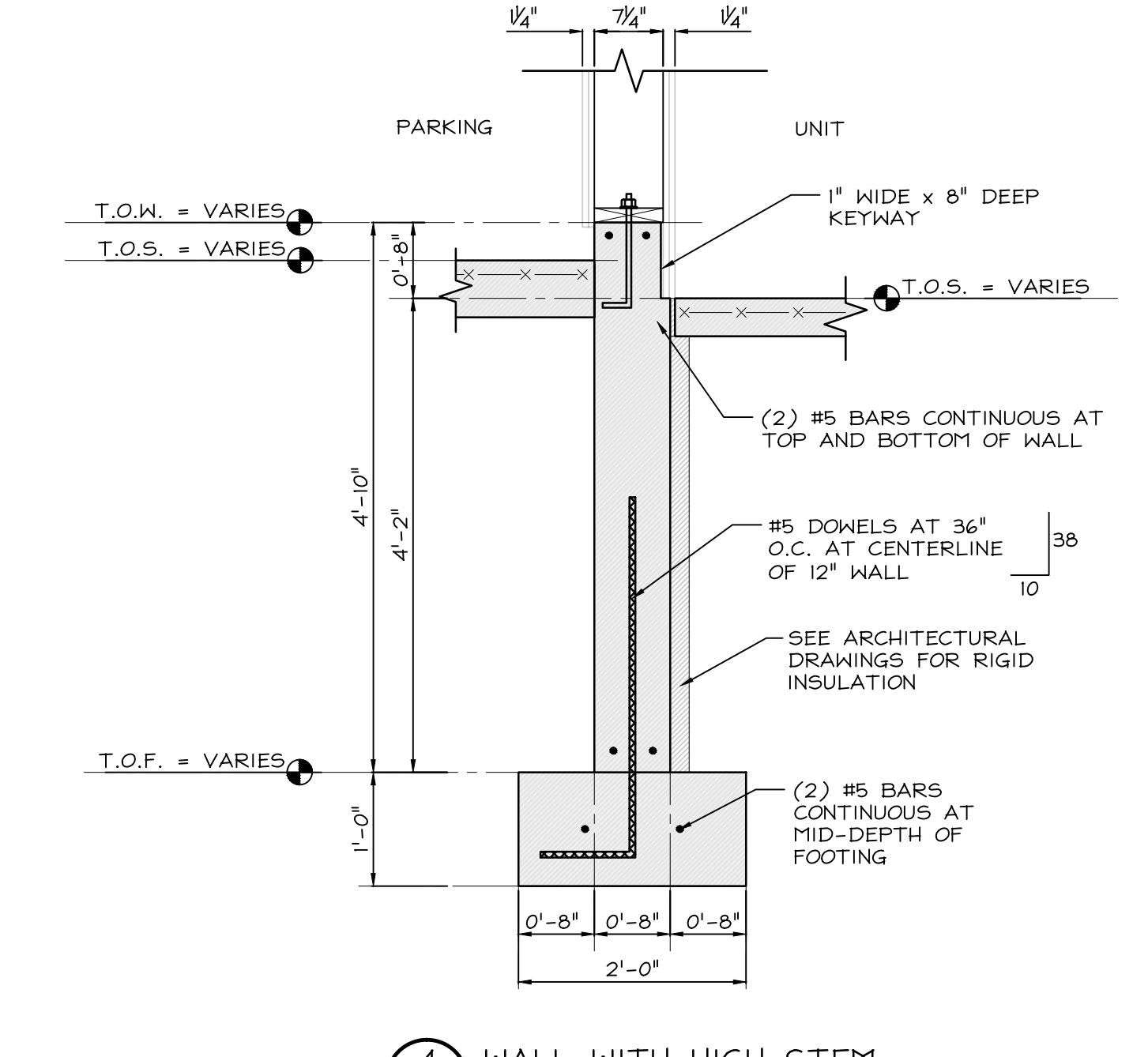
1 FOUNDATION WALL AT DRIVEWAY
 S1.3 Scale: 3/4" = 1'



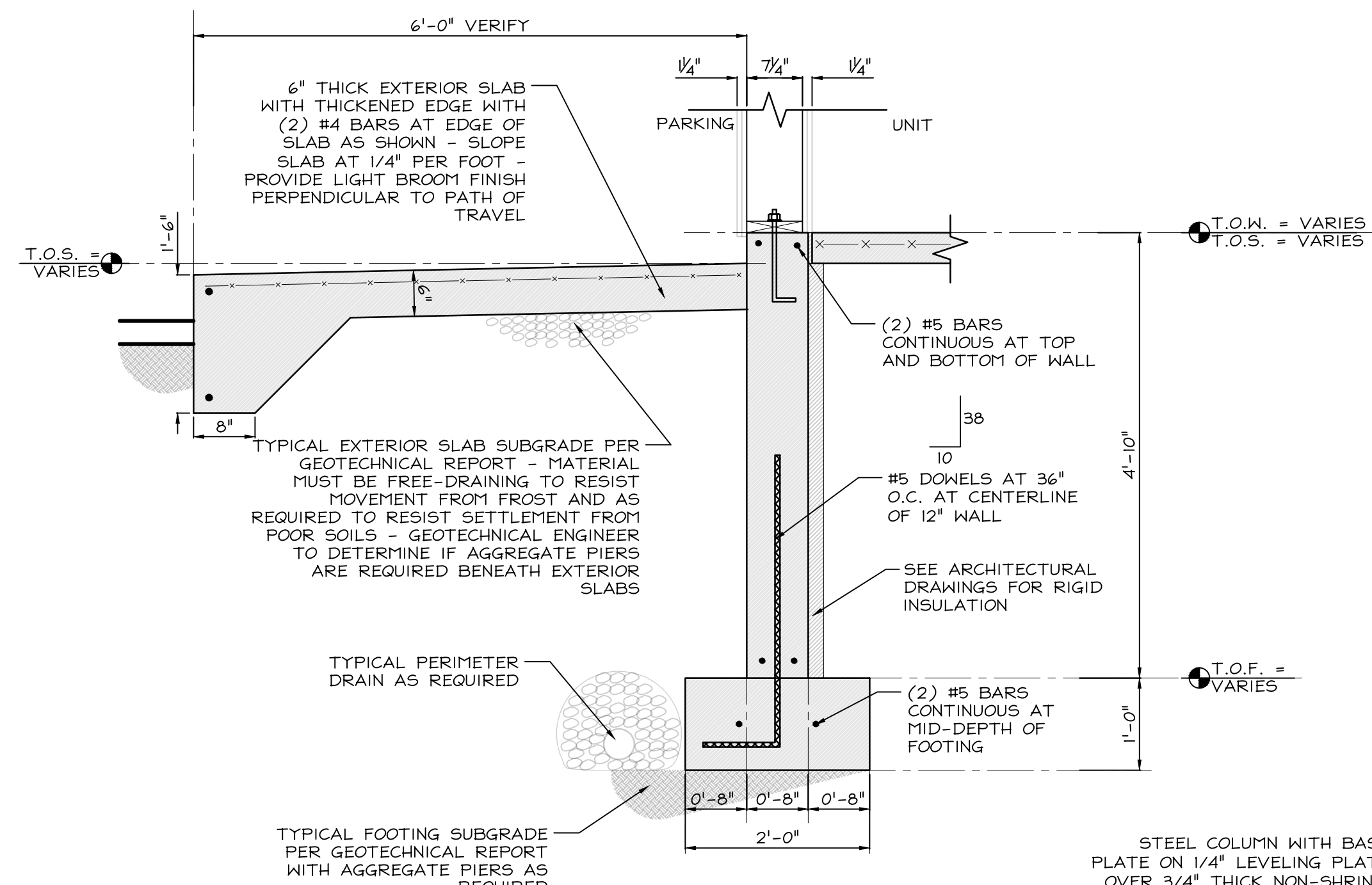
2 FOUNDATION WALL AT PARKING
 S1.3 Scale: 3/4" = 1'



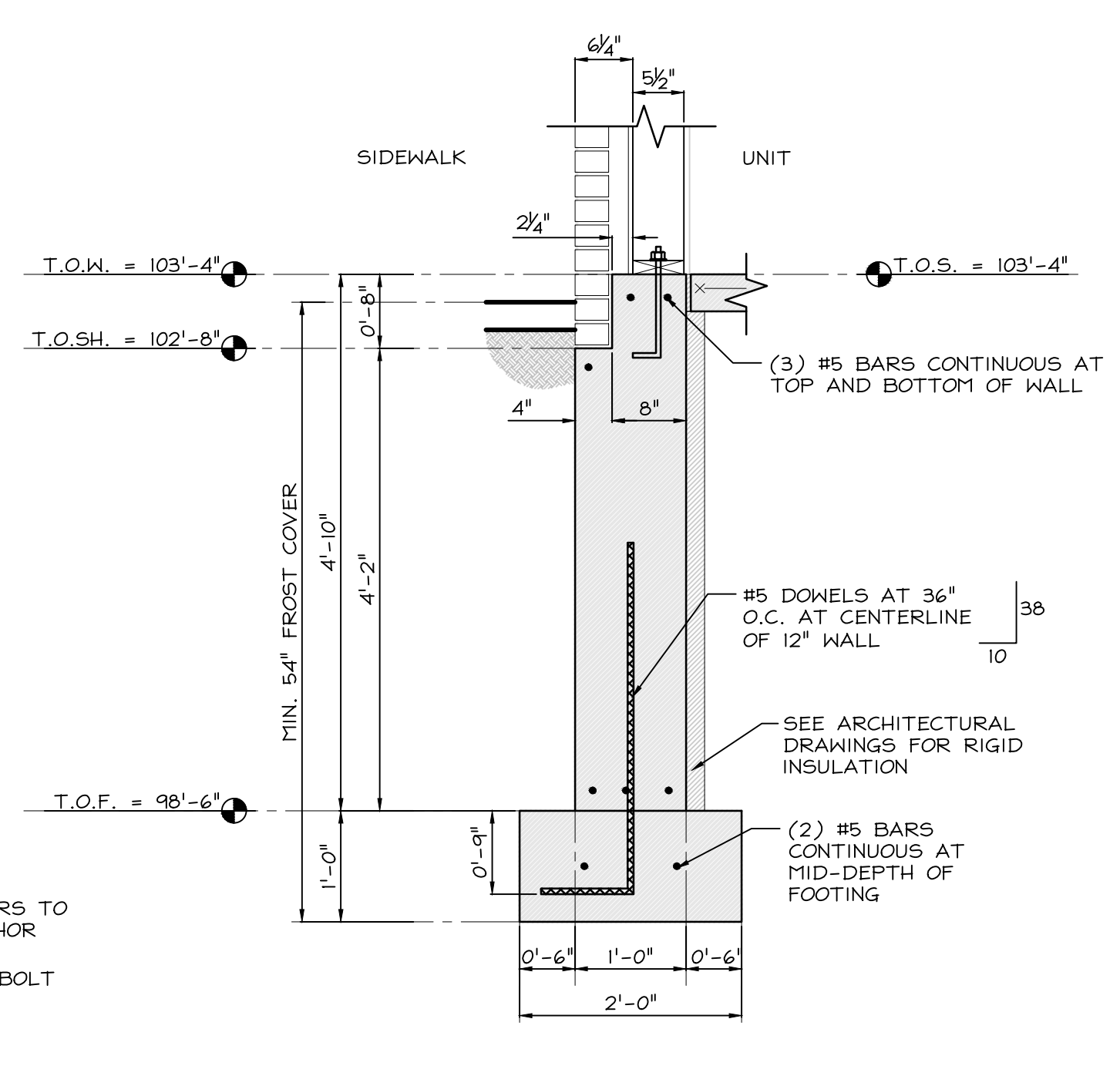
3 ENTRY AT PARKING
 S1.3 Scale: 3/4" = 1'



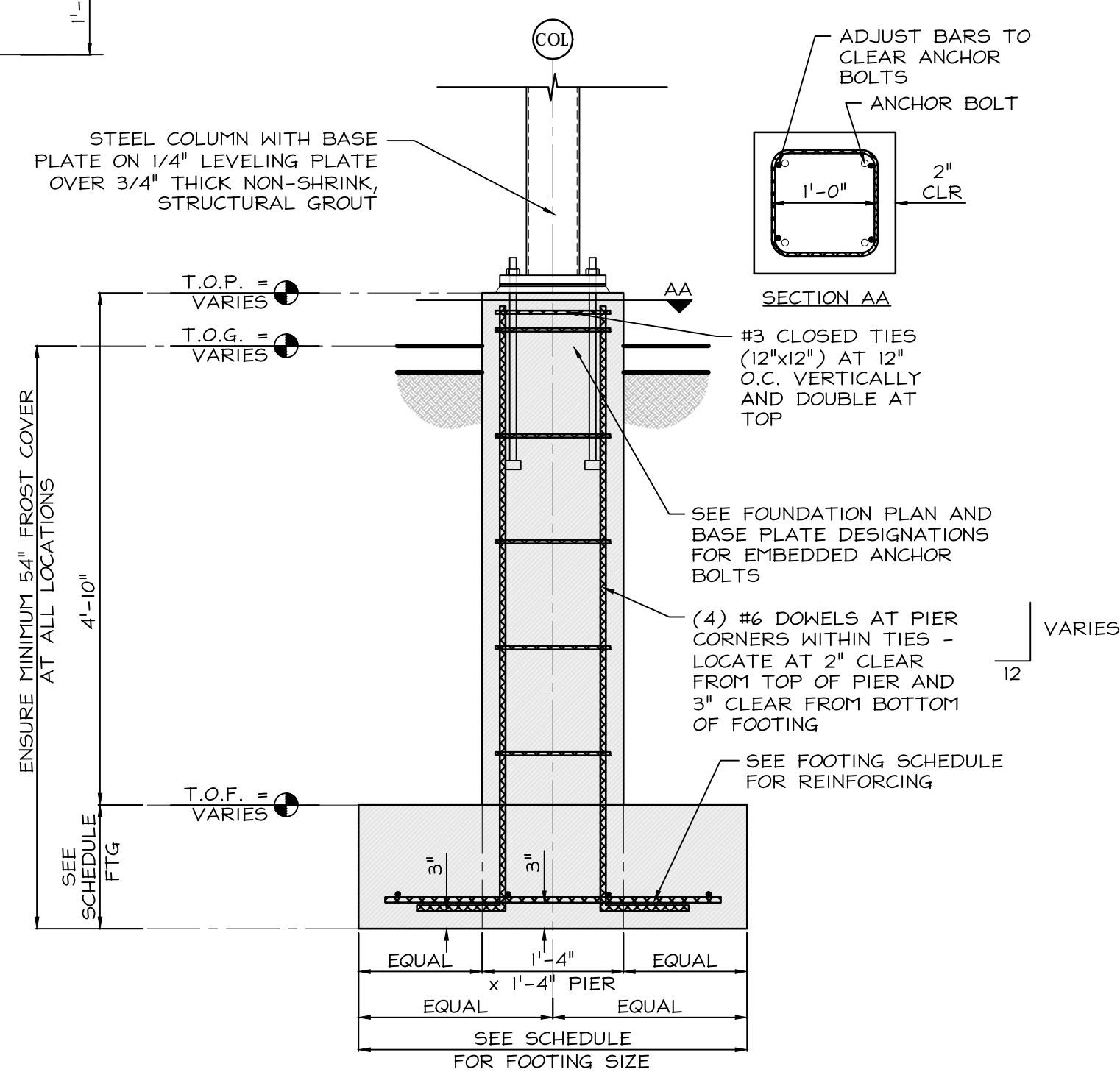
4 WALL WITH HIGH STEM
 S1.3 Scale: 3/4" = 1'



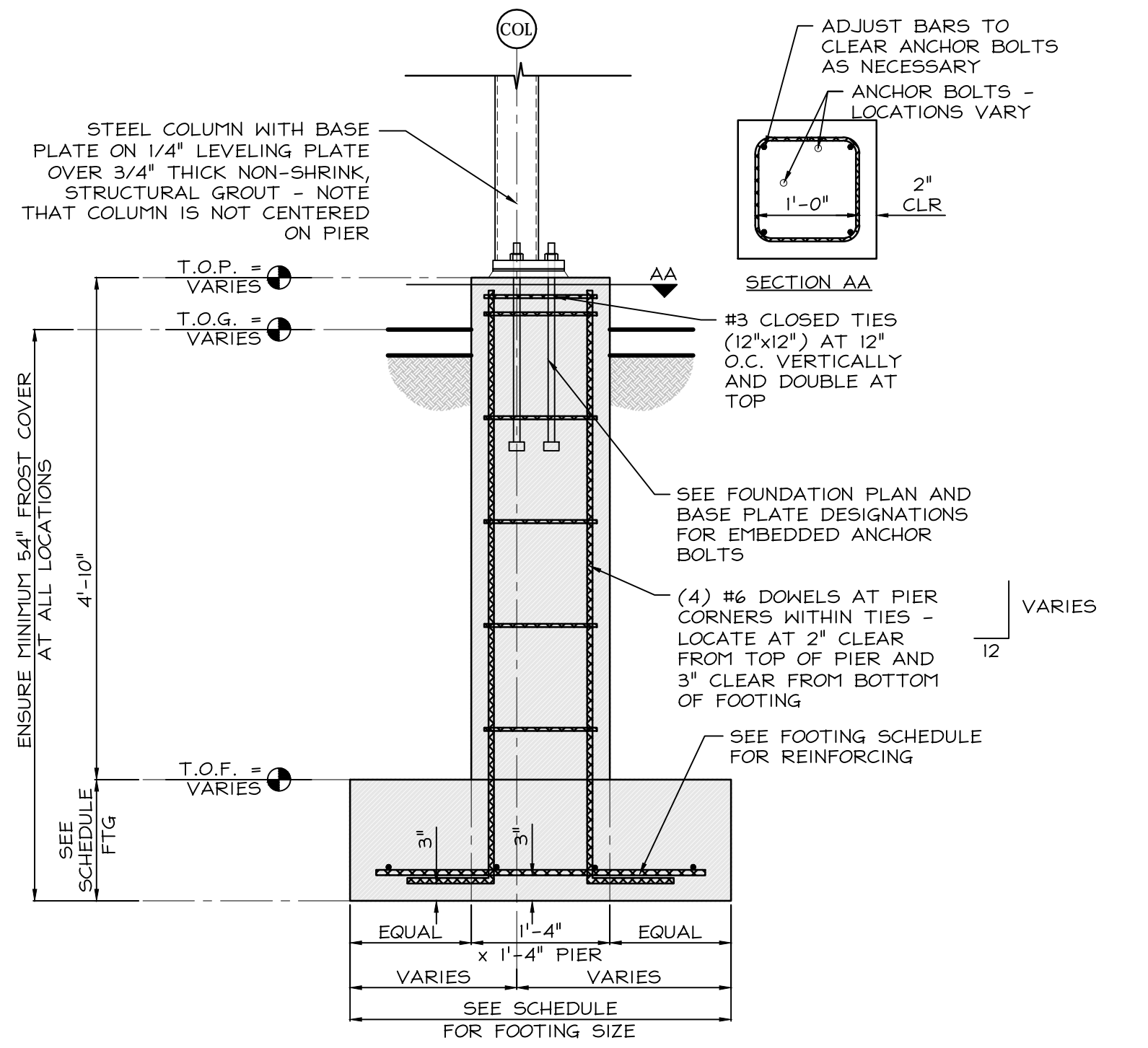
5 ENTRY AT PARKING
 S1.3 Scale: 3/4" = 1'



6 EXTERIOR FOUNDATION WALL
 S1.3 Scale: 3/4" = 1'



7 EXTERIOR PIER
 S1.3 Scale: 3/4" = 1'



8 EXTERIOR PIER AT BUILDING PERIMETER
 S1.3 Scale: 3/4" = 1'