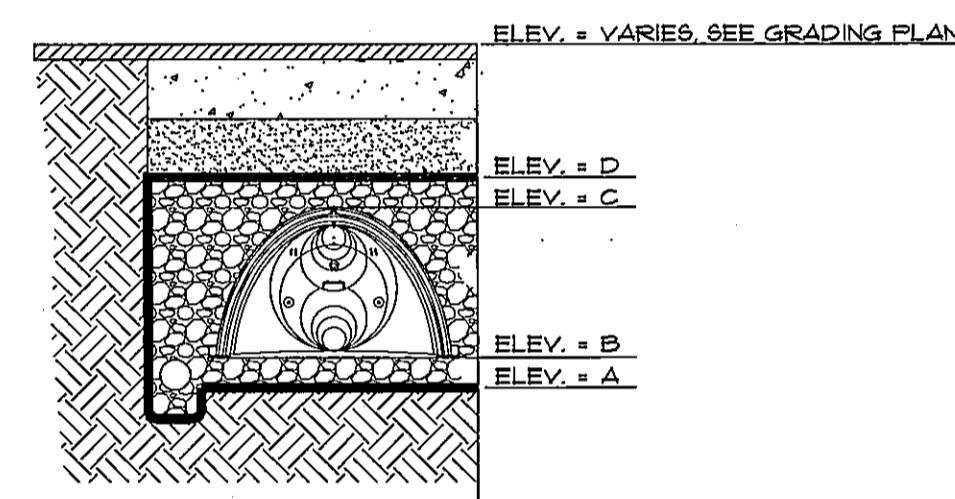


NOTES:

1. ALL DESIGN SPECIFICATIONS FOR STORMTECH CHAMBERS SHALL BE IN ACCORDANCE WITH THE STORMTECH DESIGN MANUAL.
2. THE INSTALLATION OF STORMTECH CHAMBERS SHALL BE IN ACCORDANCE WITH THE LATEST STORMTECH INSTALLATION INSTRUCTIONS.
3. THE CONTRACTOR IS ADVISED TO REVIEW AND UNDERSTAND THE INSTALLATION INSTRUCTIONS PRIOR TO BEGINNING SYSTEM INSTALLATION. CALL 1-888-852-2694 OR VISIT WWW.STORMTECH.COM TO RECEIVE A COPY OF THE LATEST STORMTECH INSTALLATION INSTRUCTIONS.
4. CONTACT DESIGN ENGINEER PRIOR TO INSTALLATION OF UNDERDRAIN AND STORMTECH SYSTEM.

**STORMTECH SC-140 CHAMBER SYSTEM
OPTIONAL INSPECTION PORT DETAIL**

NOT TO SCALE

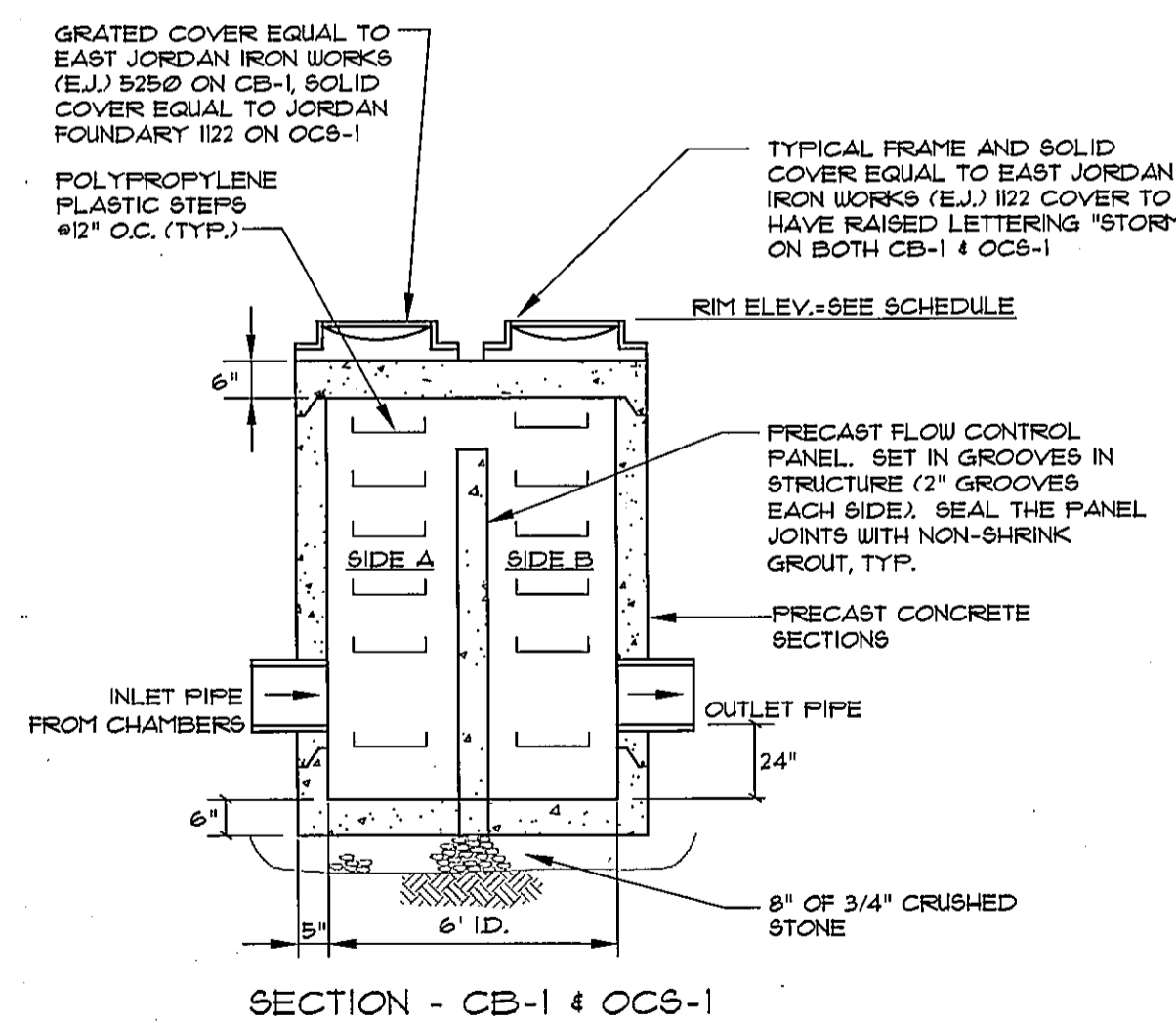
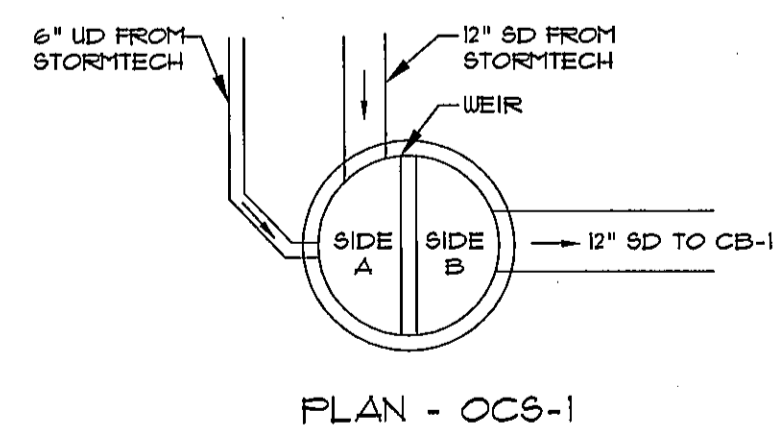
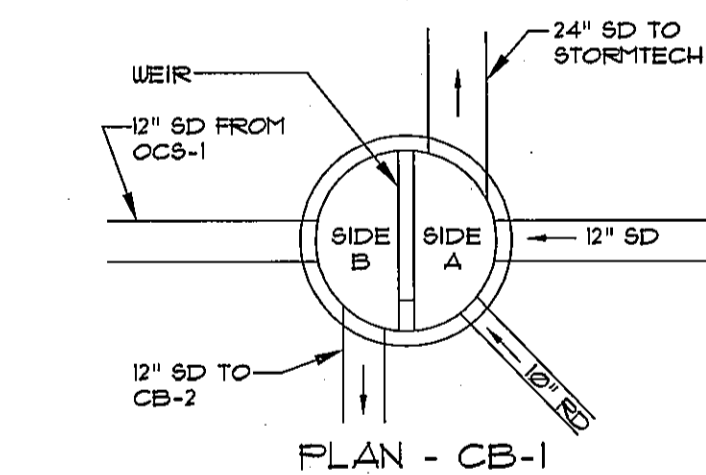


STORMTECH ELEVATIONS				
ST-1	A	B	C	D
	34.05	34.55	37.05	37.55

NOTE: ELEV. A IS THE ELEVATION OF THE BOTTOM OF STONE AND THE INVERT OF THE 6" UNDERDRAIN

STORMTECH SC-140 CHAMBER SYSTEM

NOT TO SCALE



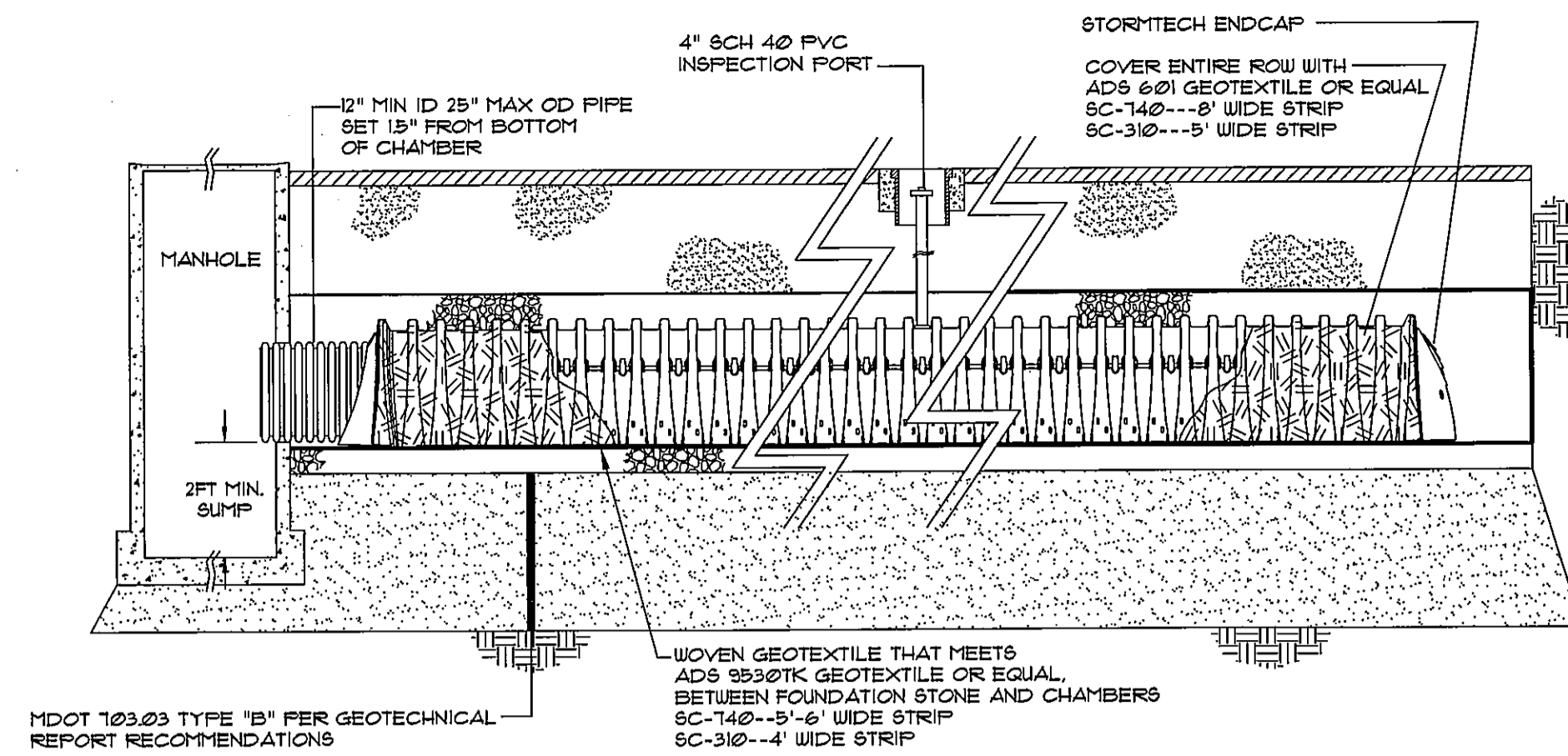
OUTLET CONTROL STRUCTURE (OCS) FOR ST-1

NOT TO SCALE

- NOTE:
1. SUBMIT SHOP DRAWINGS FOR OWNER/ENGINEER APPROVAL.
2. STRUCTURE SHALL BE DESIGNED FOR H-20 LOADING.

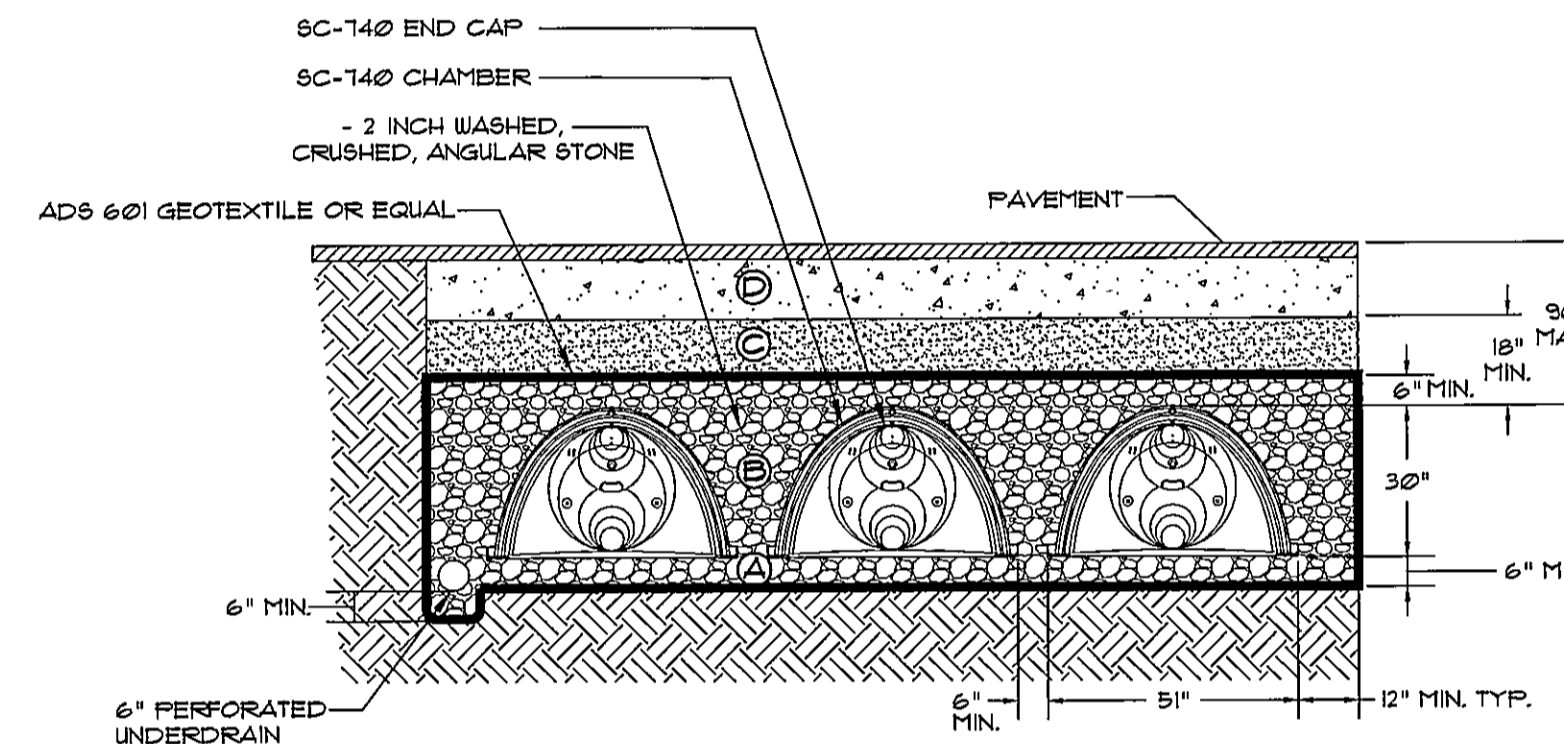
OUTLET CONTROL STRUCTURE SCHEDULE

	RIM ELEV.	SIDE A		SIDE B		WEIR ELEV.
		INV. IN	INV. OUT	INV. IN	INV. OUT	
CB-1	33.15	34.80 (12"SD) 35.00 (10"RD) TO STORMTECH	34.70 (24"SD)	33.75 (12"SD)	33.50 (12"SD)	37.00
OCS-1	33.55	34.05 (6"UD) 34.40 (12"SD)	34.05 6" ORFICE	-	33.90 (12"SD)	36.50



STORMTECH ISOLATOR TM ROW PROFILE VIEW DETAIL

NOT TO SCALE



COMPACTION/DENSITY REQUIREMENTS:

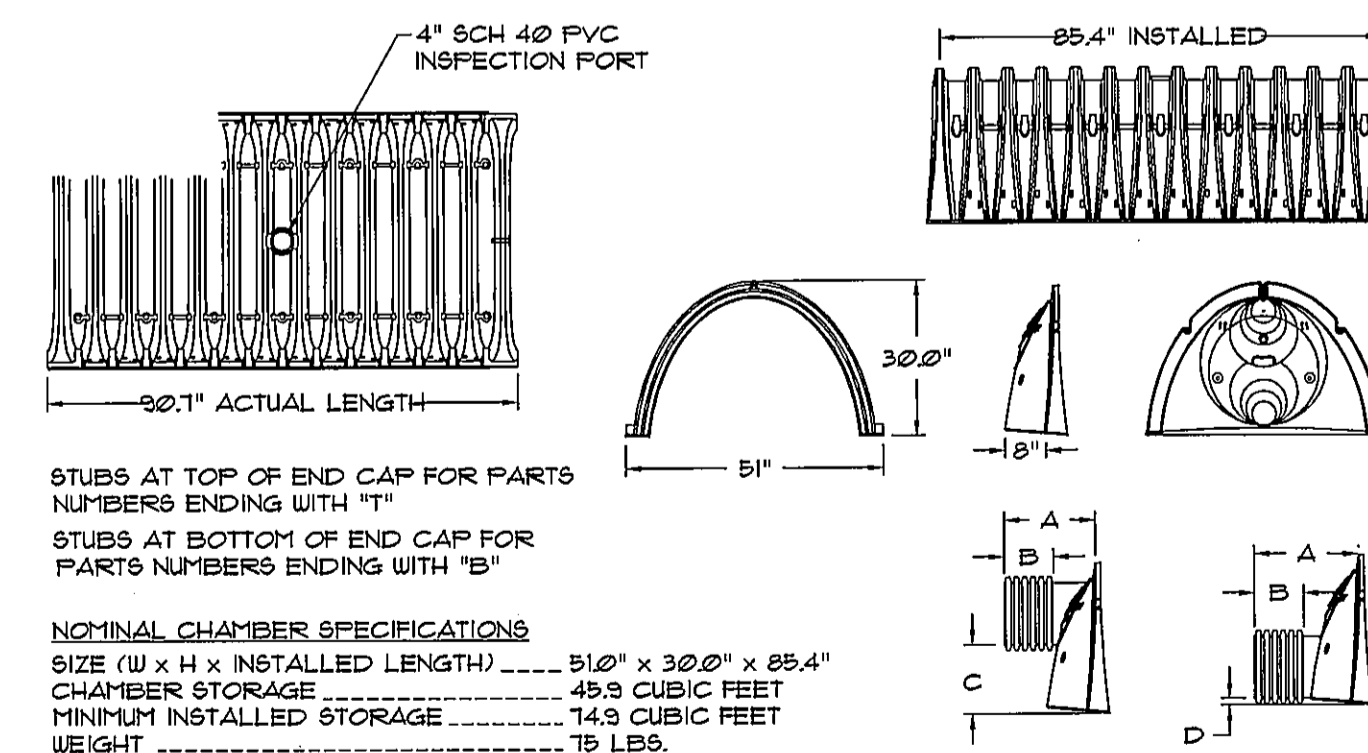
1. WASHED, ANGULAR STONE WITH THE MAJORITY OF PARTICLES BETWEEN 3/4" - 2". FLATE COMPACT OR ROLL TO ACHIEVE A 95% STANDARD PROCTOR DENSITY.
2. WASHED, ANGULAR STONE WITH THE MAJORITY OF PARTICLES BETWEEN 3/4" - 2". NO COMPACTION REQUIRED.
3. GRANULAR WELL-GRADED SOIL/AGGREGATE MIXTURES, <35% FINES. COMPACT IN 6" LIFTS TO A MINIMUM 95% STANDARD PROCTOR DENSITY. ROLLER GROSS VEHICLE WEIGHT NOT TO EXCEED 12,000 POUNDS.
4. ANY SOIL/ROCK MATERIALS, NATIVE SOILS OR PER ENGINEER'S PLANS. CHECK PLANS FOR PAVEMENT SUBGRADE REQUIREMENTS. PREPARE PER ENGINEER'S PLANS.

MEDOT SPECIFICATIONS FOR UNDERDRAINS (MEDOT #103.22)

SIEVE SIZE	UNDERDRAIN TYPE B	% BY WEIGHT
1"	100	
1/2"	75-100	
#4	50-100	
#20	15-80	
#50	0-15	
#200	0-5	
UNDERDRAIN TYPE C		
1"	100	
3/4"	90-100	
3/8"	0-75	
#4	0-25	
#20	0-5	3/4

**STORMTECH SC-140 CHAMBER SYSTEM
TYPICAL CROSS SECTION DETAIL**

NOT TO SCALE

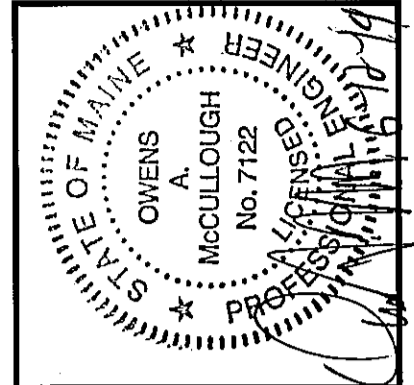


PART #	CHAMBER	PIPE SIZE	A	B	C	D
SC140EPE2B	SC 140	15 in (375 mm)	19.30 in (490 mm)	10.30 in (262 mm)	10.5	26.1 in (30 mm)
SC140EPE24B	SC 140	24 in (600 mm)	18.50 in (470 mm)	9.45 in (240 mm)	N/A	0.10 in (3 mm)

- NOTE: ALL DIMENSIONS ARE NOMINAL
ALL STUBS, EXCEPT FOR THE SC310EPE2B AND SC140EPE24B ARE PLACED AT BOTTOM OF END CAP SUCH THAT THE OUTSIDE DIAMETER OF THE STUB IS FLUSH WITH THE BOTTOM OF THE END CAP.
* FOR THE SC310EPE2B THE 12" STUB LIES BELOW THE BOTTOM OF THE END CAP APPROXIMATELY @25". FOR THE SC140EPE24B THE 24" STUB LIES BELOW THE BOTTOM OF THE END CAP APPROXIMATELY 11". BACKFILL MATERIAL SHOULD BE REMOVED FROM BELOW THE N-12 STUB SO THAT THE FITTING SETS LEVEL.

**STORMTECH SC-140 CHAMBER
TECHNICAL SPECIFICATIONS**

NOT TO SCALE



FOUNDATION PERMIT SET	DATE	STATUS
G	06-12-14	WTC
F	01-07-13	WTC
E	10-15-13	WTC
D	10-03-13	WTC
C	09-17-13	WTC
B	09-03-13	WTC
A	07-29-13	WTC

SEBAGO TECHNICS
1111 SEBAGO TECHNICS.COM
250 South Portland, ME 04106
Tel. 207-783-8555

DETAILS OF:
SEAPORT LOFTS
NEWBURY/HANCOCK STREET
PORTLAND, MAINE
FOR:
113 NEWBURY STREET, LLC
35 FAY STREET, SUITE 107B
BOSTON, MA 02114-4320

DATE	SCALE
07-26-13	AS SHOWN