

**TYPICAL LIGHT POLE BASE**  
NOT TO SCALE

- NOTES:**
1. CONCRETE FC-4000 P&I.
  2. REIN. STEEL GRADE #4 NEW BARS.
  3. CONCRETE 3/4" AGG. 6 ± 1% ENTRAINED AIR.
  4. PROVIDE 2 COATS BITUMINOUS DAMPROOFING FOR ALL CONCRETE BELOW GRADE.
  5. POLE BASE PER THE BAYSIDE DISTRICT MEDIUM SCALED LIGHTING POLE AND CITY SPECIFICATIONS. COORDINATE WITH PORTLAND PUBLIC SERVICES.
  6. BID ALT. - CONTRACTOR MAY SUBSTITUTE PRECAST CONCRETE LIGHT POLE BASE EQUAL TO ABOVE SPEC. AND APPROVED BY CITY.

PAVED AREAS → UNPAVED AREAS

AGGREGATE SUBBASE COURSE - GRAVEL, TYPE 'D'

AGGREGATE BASE COURSE - CRUSHED, TYPE 'A'

HOT BIT. PAVEMENT GRADING 12.5 mm

4" LOAM 4 SEED OR AS SPECIFIED IN THE CONTRACT DRAWINGS

HOT BIT. PAVEMENT GRADING 9.5 mm

HALF OF MAX. PAYMENT WIDTH PLUS 12" FOR TRENCH PAVEMENT REPLACEMENT

COMMON BACKFILL FROM TRENCH EXCAVATION (INCIDENTAL) OR GRANULAR BORROW (IF ORDERED). IF GRANULAR BORROW IS NEEDED, THE GRANULAR BORROW SHALL BE CONSIDERED INCIDENTAL.

3/4" CRUSHED STONE OR SAND 12" ABOVE TOP OF PIPE.

3/4" CRUSHED STONE FOR PIPE BEDDING TO PIPE SPRING LINE.

WRAP MIRAFI 600X FILTER FABRIC OR APPROVED EQUAL 3" UP SIDES, TYP.

2" CRUSHED STONE, 10331 (INCIDENTAL TO PIPE PAY ITEMS).

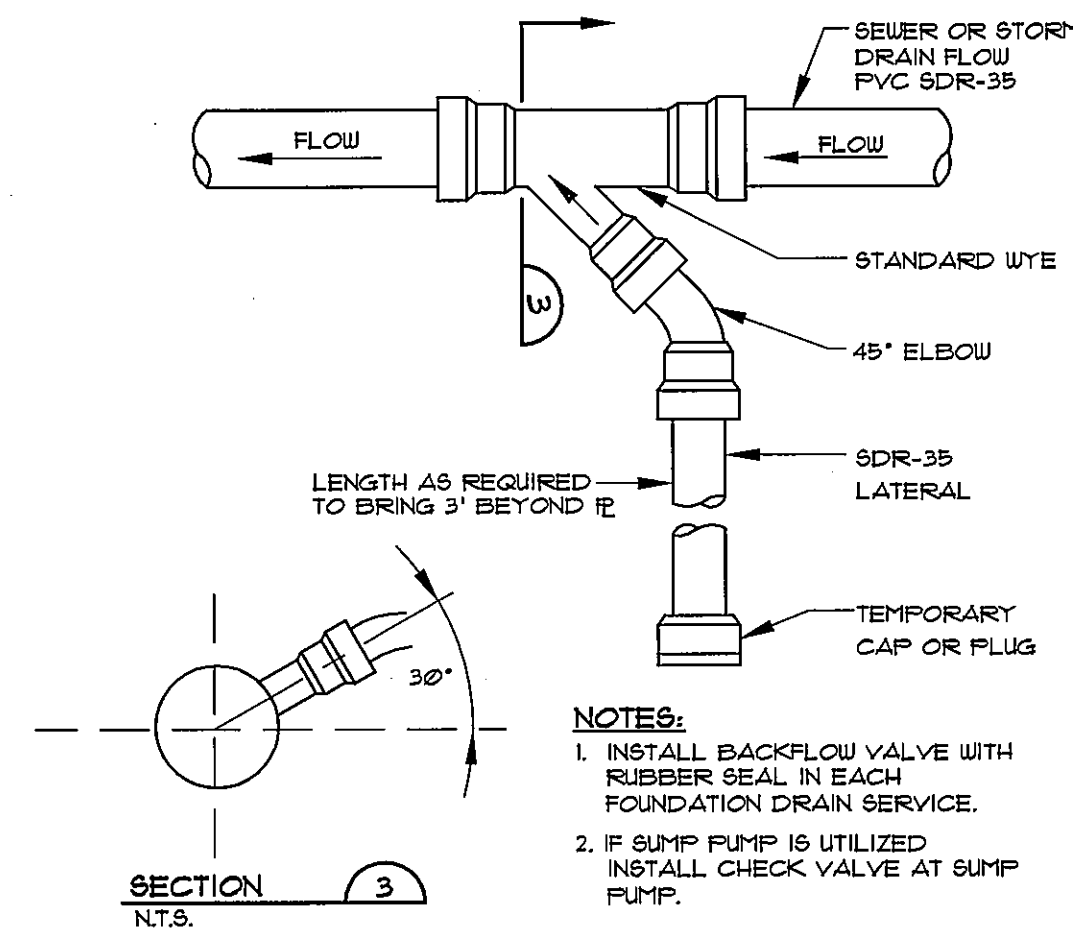
ESTABLISHED TRENCH PROFILE.

2" CRUSHED STONE, 10331, IF ORDERED.

- NOTES:**
1. ALTERNATIVE CONSTRUCTION METHODS OR PAYMENT METHODS SHALL BE APPROVED IN ADVANCE BY THE CITY.
  2. IN PAVED AREAS REFER TO BITUMINOUS PAVEMENT SECTION FOR DEPTHS OF GRAVEL AND HOT MIX ASPHALT PAVEMENT BASED ON THE CORRESPONDING STREET CLASSIFICATION.
  3. DIMENSION 'B' SHALL BE SUFFICIENT TO ALLOW CRUSHED STONE BEDDING TO BE PLACED AND COMPACTED UNDER THE HAUNCHES OF THE PIPE BUT IN ALL CASES 'B' SHALL BE AT LEAST 9".
  4. DIMENSION 'A' IS THE MAXIMUM WIDTH ALLOWED FOR CALCULATING PAY QUANTITIES UNDER GRANULAR BORROW, CRUSHED STONE, STRUCTURAL EARTH EXCAVATION, AND STRUCTURAL ROCK EXCAVATION. DIMENSION 'A' SHALL BE BASED ON PIPE DIAMETER 'D', AS SET FORTH IN THE FOLLOWING TABLE.

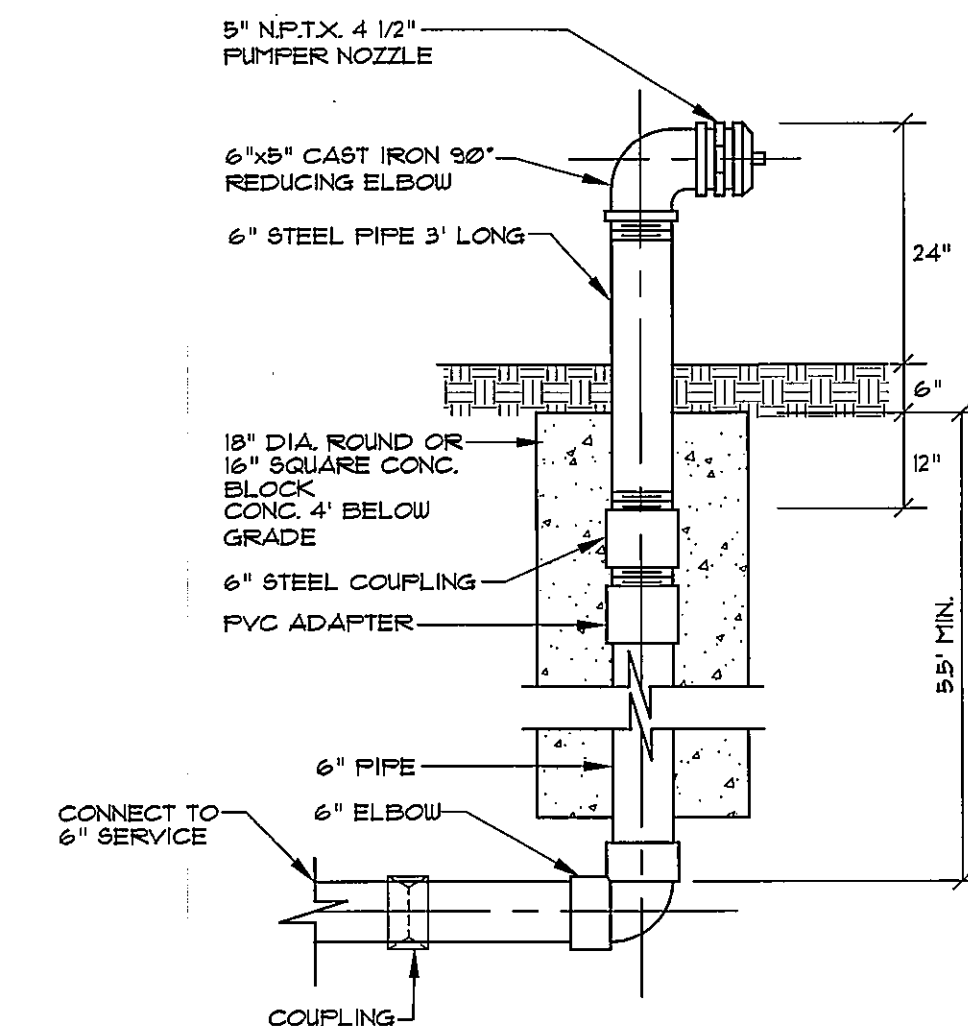
| PIPE DIAMETER, 'D' (INCHES) | MAX. TRENCH WIDTH, 'A' (FEET) |
|-----------------------------|-------------------------------|
| 4                           | 4.0                           |
| 6                           | 4.0                           |
| 8                           | 4.0                           |
| 10                          | 4.0                           |
| 12                          | 4.0                           |
| 15                          | 4.0                           |
| 18                          | 5.0                           |
| 21                          | 5.0                           |
| 24                          | 5.5                           |
| 27                          | 6.0                           |
| 30                          | 6.0                           |
| 36                          | 7.0                           |
| 42                          | 8.0                           |
| 48                          | 8.0                           |

**TYPICAL PIPE INSTALLATION DETAIL**  
NOT TO SCALE

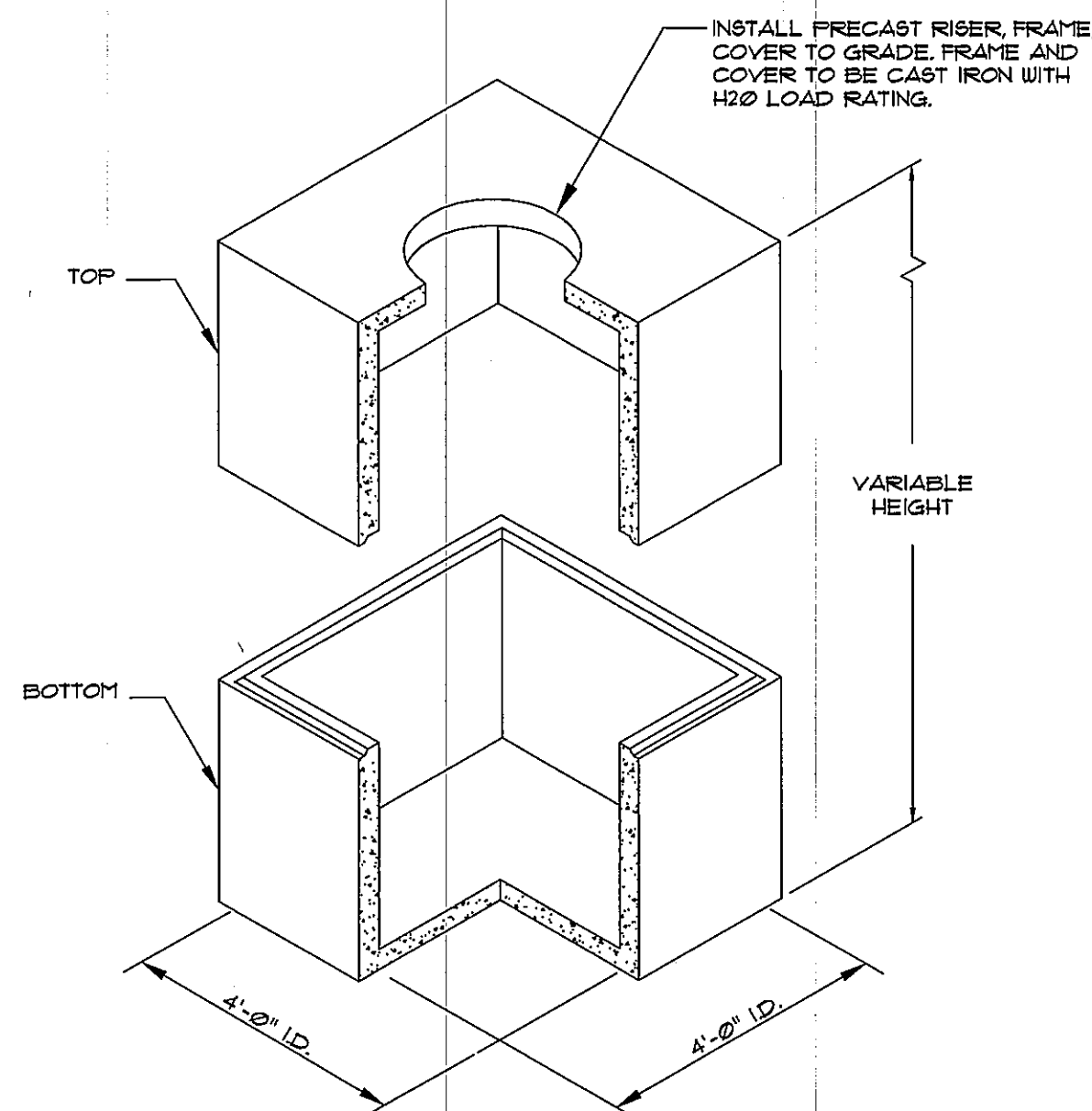


- NOTES:**
1. INSTALL BACKFLOW VALVE WITH RUBBER SEAL IN EACH FOUNDATION DRAIN SERVICE.
  2. IF SUMP PUMP IS UTILIZED INSTALL CHECK VALVE AT SUMP PUMP.

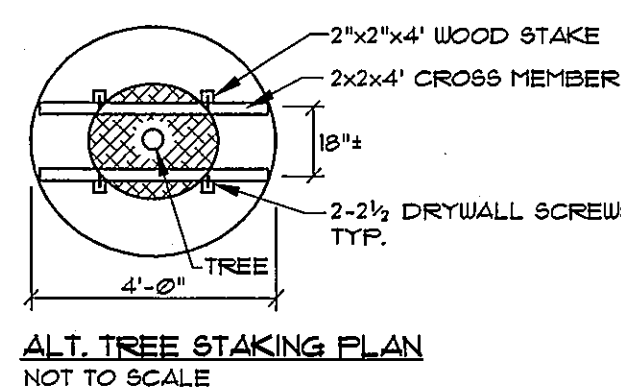
**SEWER / FOUNDATION DRAIN SERVICE CONNECTION**  
NOT TO SCALE



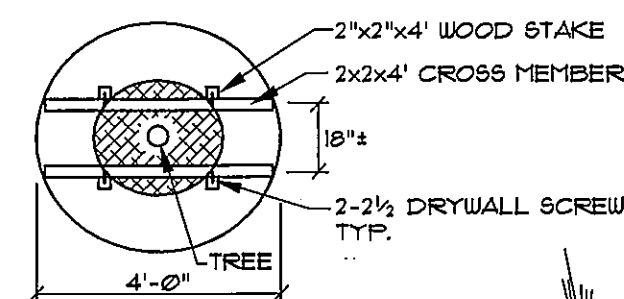
**FIRE PROTECTION STAND PIPE**  
NOT TO SCALE



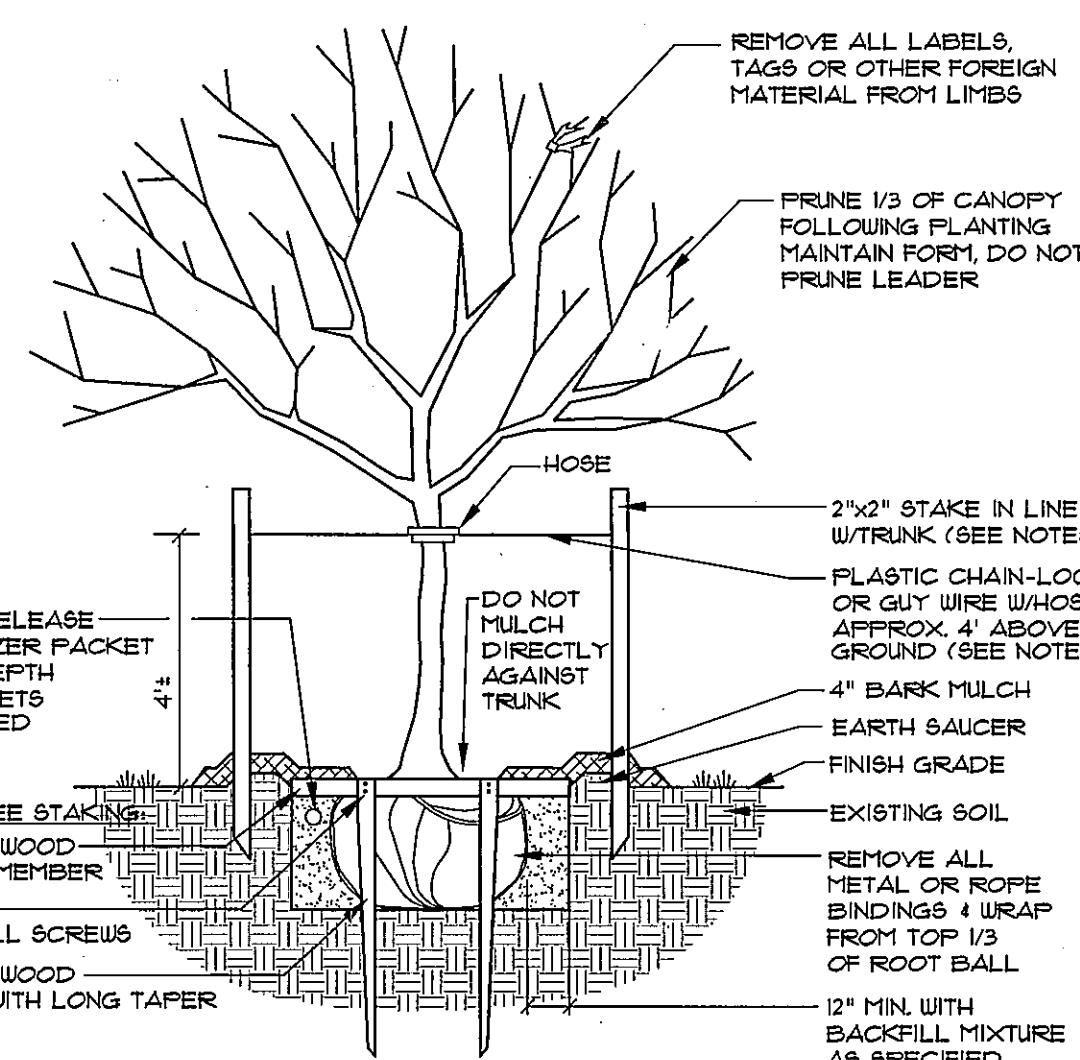
**UTILITY MANHOLE**  
NOT TO SCALE



**ALT. TREE STAKING PLAN**  
NOT TO SCALE

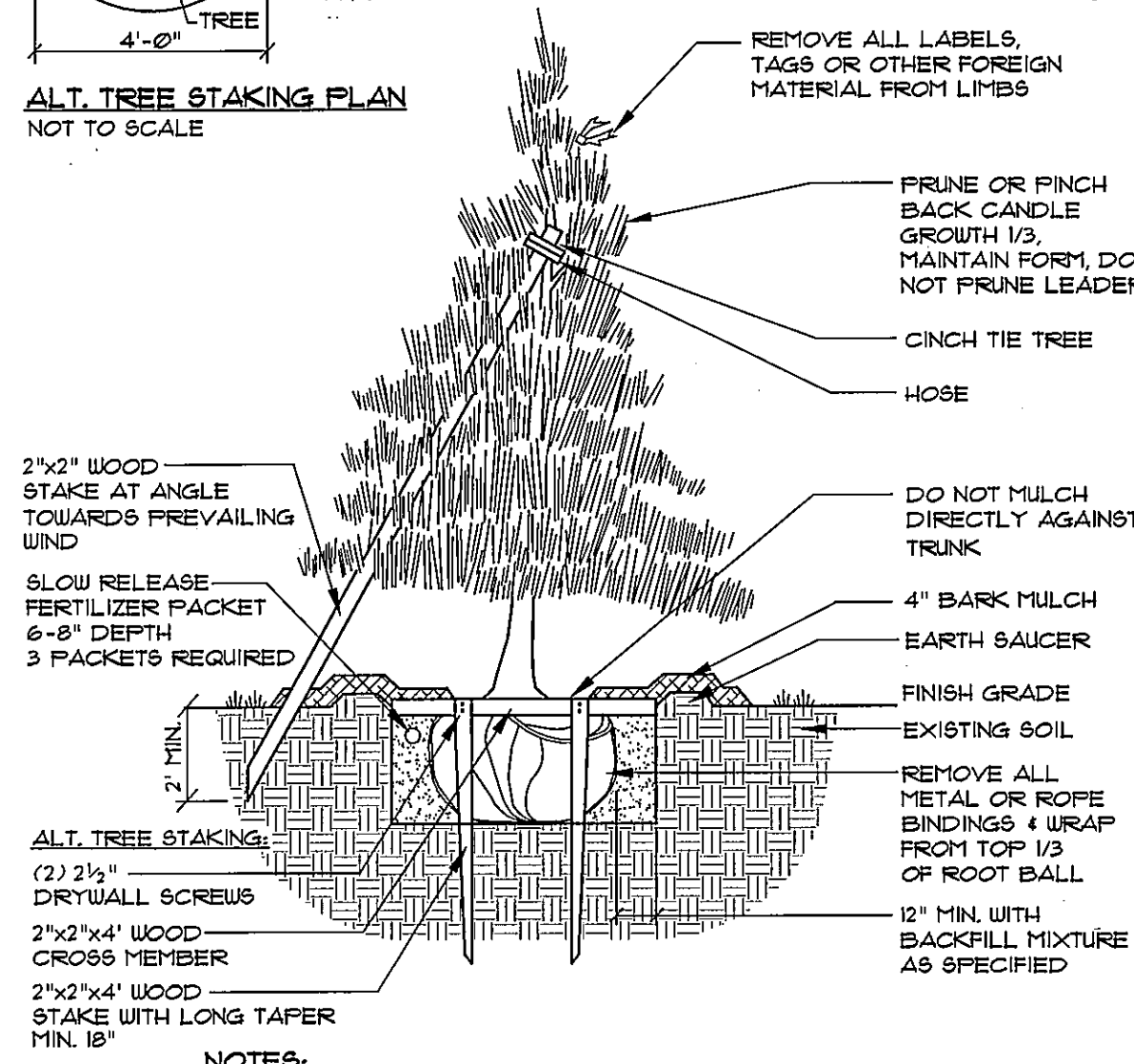


**ALT. TREE STAKING PLAN**  
NOT TO SCALE



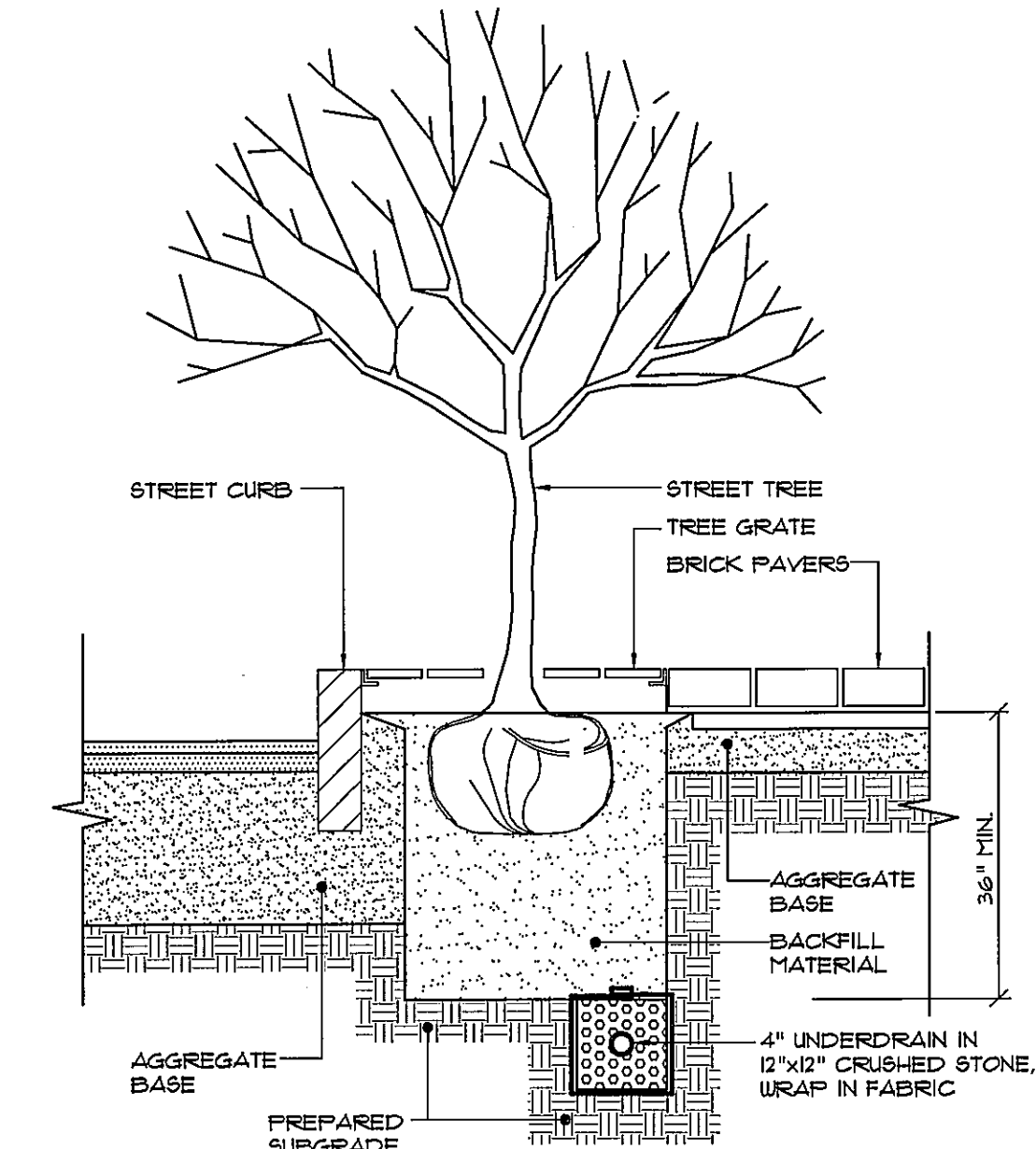
- NOTES:**
1. INSTALL STAKES AND GUYS TO TREES IF THE FOLLOWING APPLY:
  2. THE TREE IS OF SUBSTANTIAL SIZE.
  3. THE PLANTING LOCATION IS EXTREMELY WINDY, AS ON OPEN UNDEVELOPED SITES.
  4. THE PLANTING LOCATION IS COMPRISED OF SAND OR OTHER LOOSE TEXTURED SOILS.
  5. IF STAKES AND GUYS ARE REQUIRED, REMOVE AFTER ONE YEAR TIME.

**DECIDUOUS TREES 2" TO 4" CALIFER**  
NOT TO SCALE

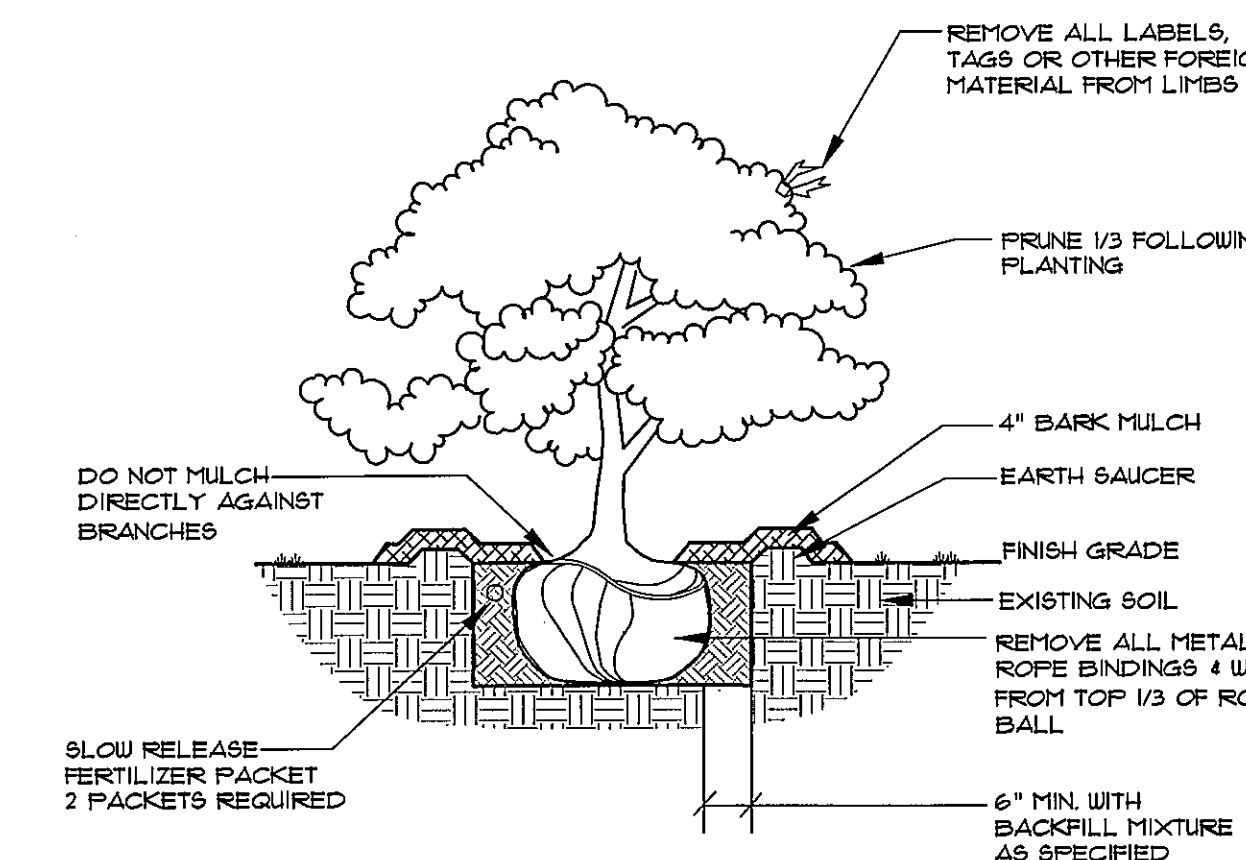


- NOTES:**
1. INSTALL STAKES AND GUYS TO TREES IF THE FOLLOWING APPLY:
  2. THE TREE IS OF SUBSTANTIAL SIZE.
  3. THE PLANTING LOCATION IS EXTREMELY WINDY, AS ON OPEN UNDEVELOPED SITES.
  4. THE PLANTING LOCATION IS COMPRISED OF SAND OR OTHER LOOSE TEXTURED SOILS.
  5. IF STAKES AND GUYS ARE REQUIRED, REMOVE AFTER ONE YEAR TIME.

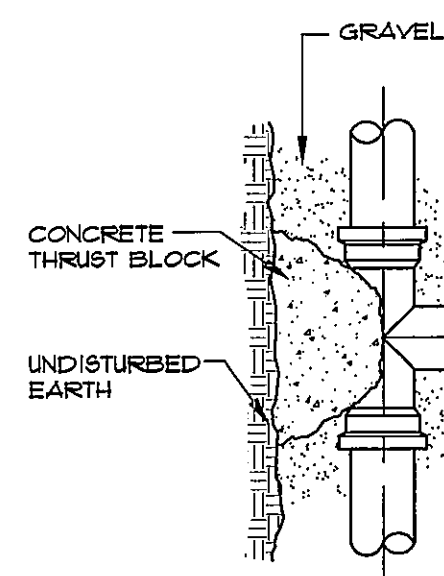
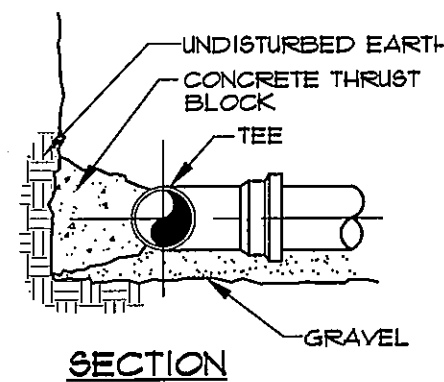
**DECIDUOUS TREES UNDER 2" CALIFER OR EVERGREEN TREES 1'-0" IN HEIGHT & UNDER**  
NOT TO SCALE



**TREE PIT DETAIL**  
NOT TO SCALE

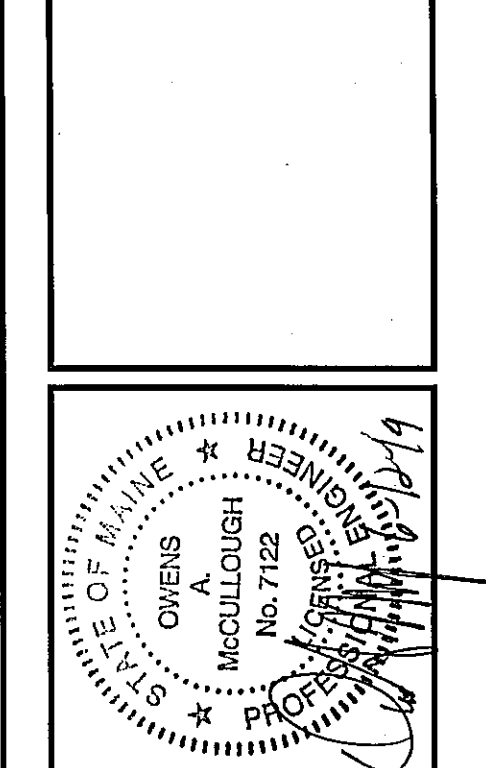
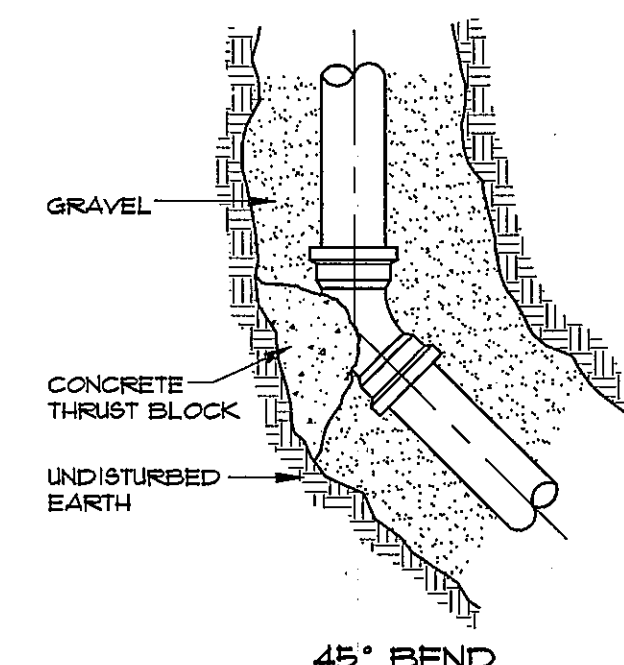


**DECIDUOUS & EVERGREEN SHRUB**  
NOT TO SCALE



**TEE AND BEND DETAIL**  
NOT TO SCALE

| CONCRETE THRUST BLOCK SIZE REQUIREMENTS |  |           |                |
|---|--|-----------|----------------|
| FITTINGS                                | SQ. FT. OF BEARING ON UNDISTURBED SOIL |           |                |
|   | 90° BENDS                              | 45° BENDS | TEES AND PLUGS |
| PIPE SIZE                               | 6"                                     | 8"        | 12"            |
|   | 4.0                                    | 2.0       | 3.0            |
|   | 8.0                                    | 4.0       | 6.0            |
|   | 15                                     | 10        | 10             |



| REV. | BY: | DATE:    | STATUS:                              |
|------|-----|----------|--------------------------------------|
| A    | WTC | 09-03-13 | SUBMIT SITE PLAN APPLICATION TO CITY |
| B    | WTC | 07-29-13 | DATE:                                |
| C    | WTC | 09-17-13 | CITY SUBMITTAL 3                     |
| D    | WTC | 10-03-13 | CITY SUBMITTAL 5                     |
| E    | WTC | 10-15-13 | CITY SUBMITTAL 6                     |
| F    | WTC | 01-07-13 | CITY SUBMITTAL 7                     |
| G    | WTC | 08-12-14 | FOUNDATION PERMIT SET                |

**SEBAGO TECHNICALS**

WWW.SEAGOTECHNICALS.COM  
75 John Paul Road, Suite B  
South Portland, ME 04106  
Tel. 207-260-2100

PROJECT NO. 13251  
FIELD BOOK  
DESIGN  
CHECK  
DRAWN  
DATE  
WTC  
MAL

**SEAPORT LOFTS**  
NEWBURY / HANCOCK STREET  
PORTLAND, MAINE  
FOR: 113 NEWBURY STREET, SUITE 107B  
35 NEWBURY STREET, SUITE 107B  
BOSTON, MA 02118-4320

DATE: 07-26-13  
SCALE: AS SHOWN

**SHEET 11 OF 12**