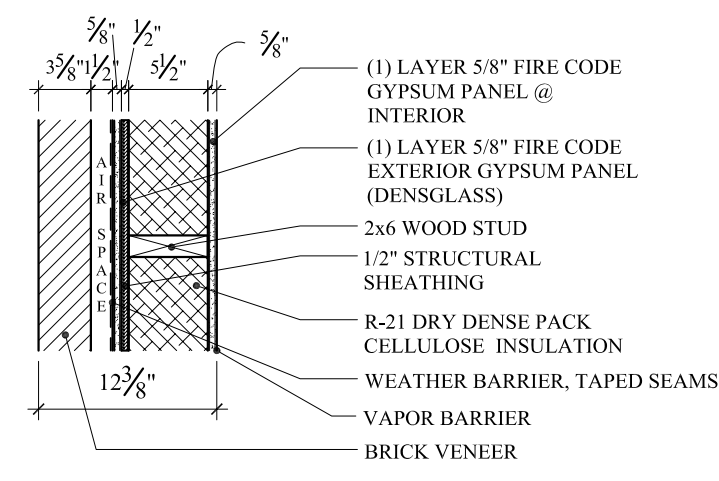
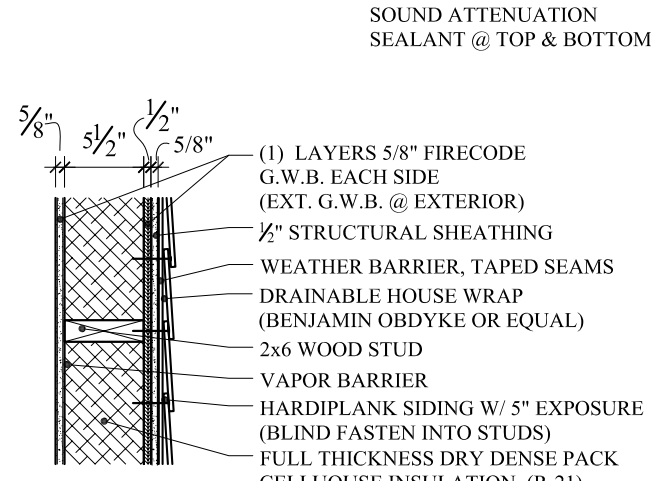


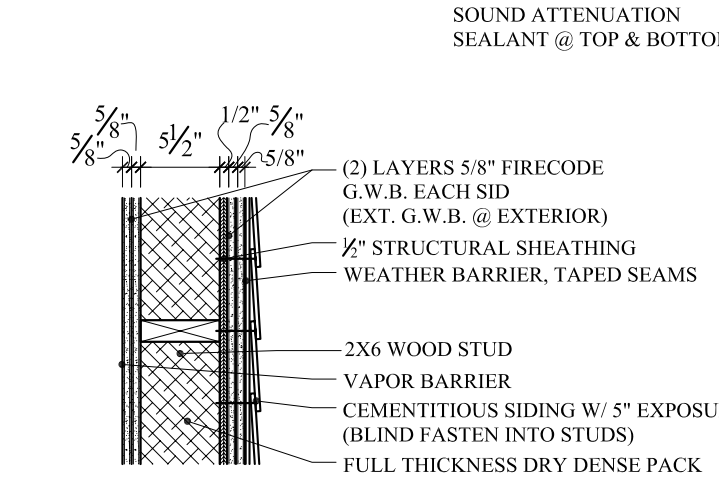
EXTERIOR:



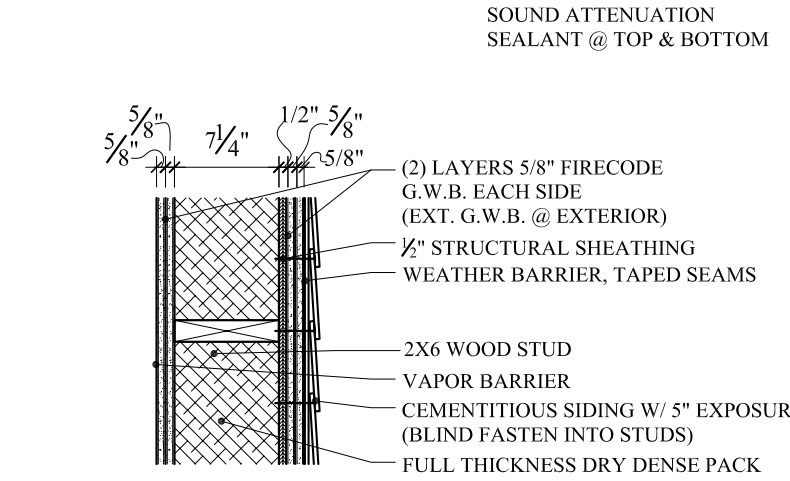
1 BRICK - 6\"/>



1.1 EXTERIOR 2x6 WALL (1 HR. RATED)
(UL DESIGN: U 344) FIRE CAULK PERIMETER

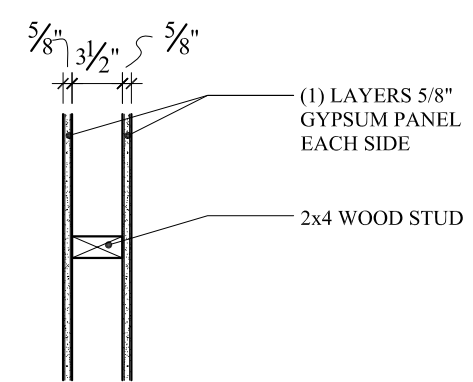


1.2 EXTERIOR 2x6 WALL (2 HR. RATED)
(UL DESIGN: U 308) FIRE CAULK PERIMETER

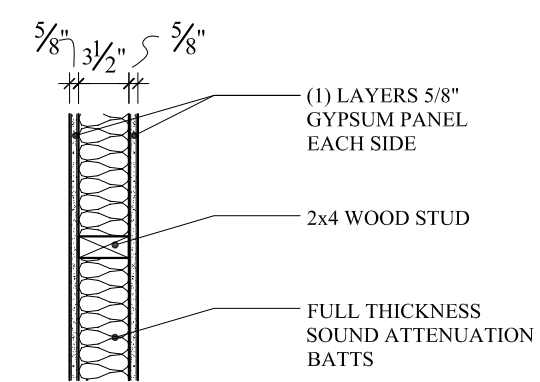


1.3 EXTERIOR 2x8 WALL (2 HR. RATED)
(UL DESIGN: U 308) FIRE CAULK PERIMETER

**INTERIOR:
2X4**

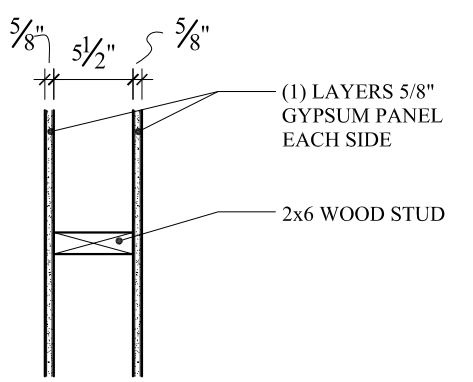


2 INTERIOR 2x4 WOOD STUD WALL CAULK PERIMETER

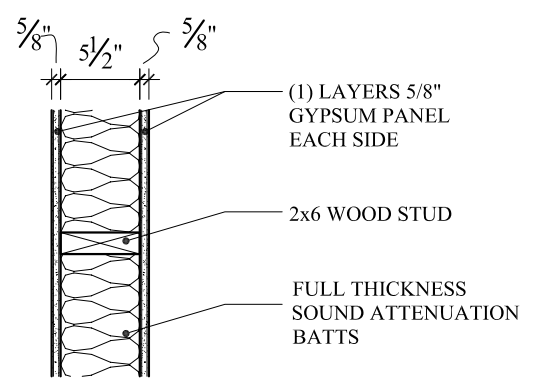


2.1 INTERIOR 2x4 WOOD STUD WALL CAULK PERIMETER

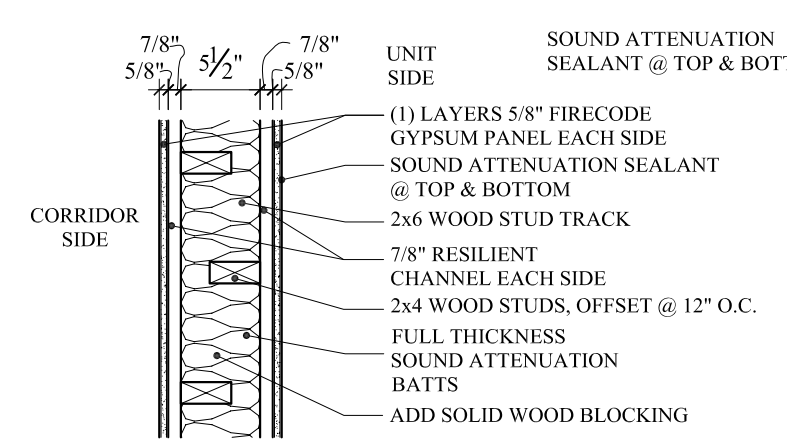
2X6



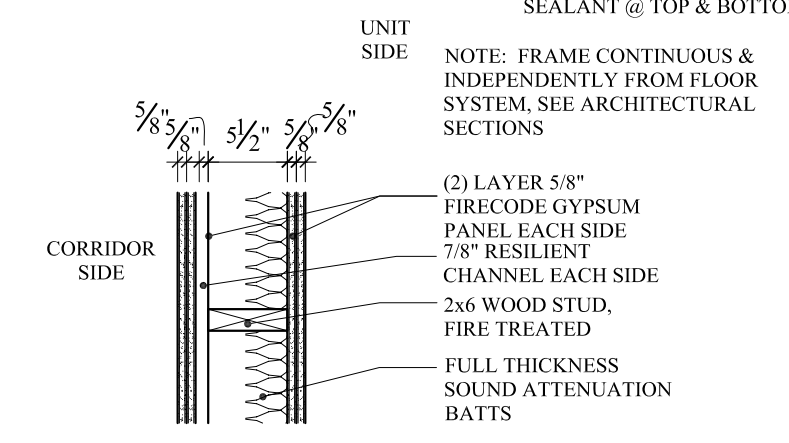
3 INTERIOR 2x6 WOOD STUD WALL CAULK PERIMETER



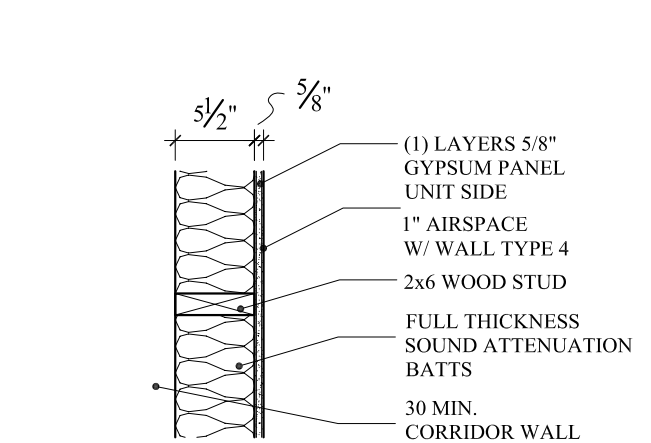
3.1 INTERIOR 2x6 WOOD STUD WALL CAULK PERIMETER



3.2 2x6 STUD WALL (30 MIN. RATED)
(UL DESIGN: U 319) FIRE CAULK PERIMETER
NOTES: MOISTURE RESISTANT GWB @ BATHROOMS (DO NOT REMOVE GWB @ TUB SHOWER LOCATIONS)
1\"/>

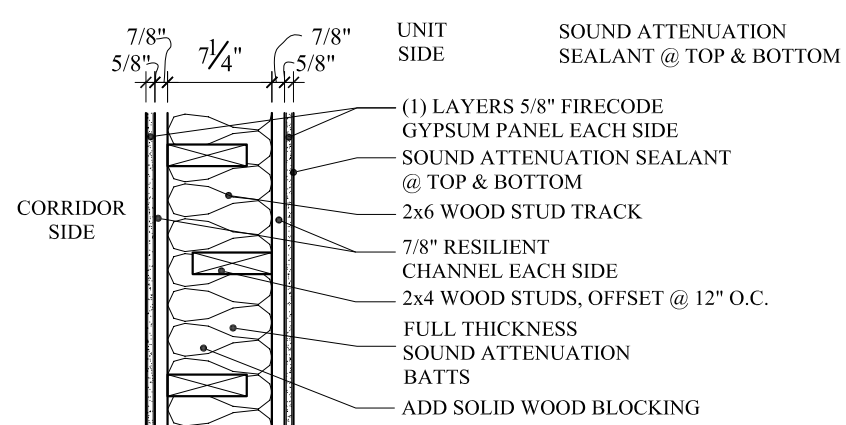


3.3 2x6 STAIR WALL (2 HOUR RATED)
(UL DESIGN: U 334) FIRE CAULK PERIMETER
FRAME TO UNDERSIDE OF FLOOR ABOVE



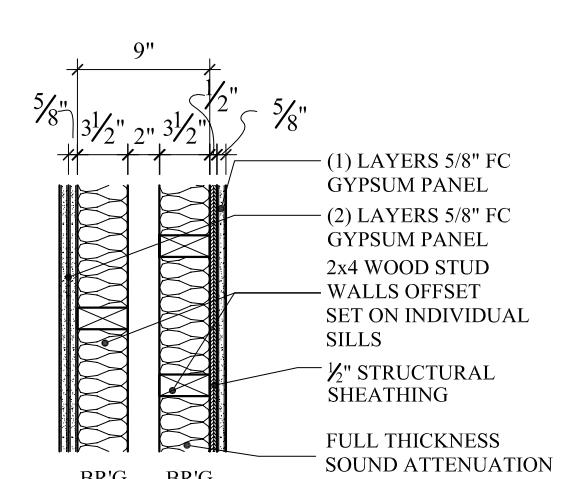
3.4 CORRIDOR PLUMBING WALL (NON-RATED)
CAULK PERIMETER
NOTES: MOISTURE RESISTANT GWB @ BATHROOMS (DO NOT REMOVE GWB @ TUB SHOWER LOCATIONS)
PROVIDE U.L. SLEEVES AND CAULKING TO MATCH THE FIRE RATING AT ALL PENETRATIONS SHOULD PIPING PENETRATE THE CORRIDOR WALL

2X8



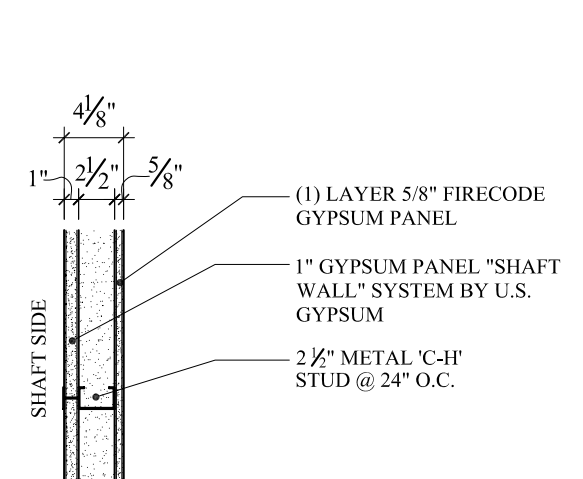
4 2x8 STUD WALL (30 MIN. RATED)
(UL DESIGN: U 319) FIRE CAULK PERIMETER
NOTES: MOISTURE RESISTANT GWB @ BATHROOMS (DO NOT REMOVE GWB @ TUB SHOWER LOCATIONS)
1\"/>

PARTY WALL

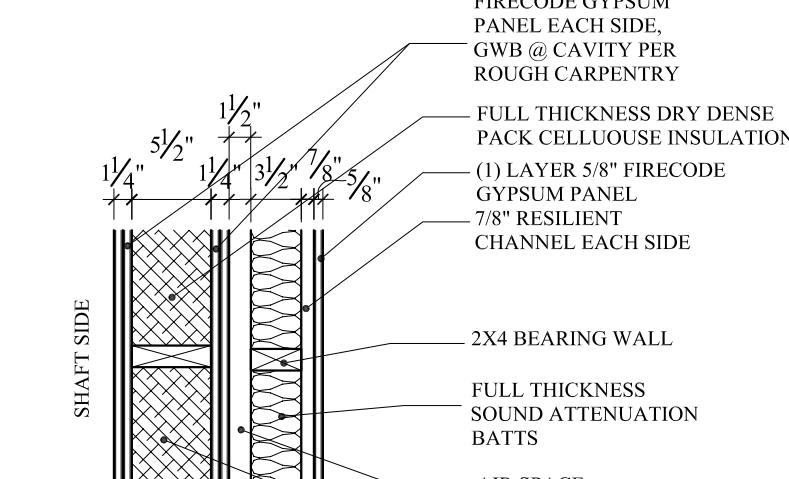


5 (2) 2x4 STUD WALLS (1 HR. RATED)
(UL DESIGN: U 344 SIM) FIRE CAULK PERIMETER
SHEAR WALL
SEE STRUCTURALS FOR NAILING PATTERN

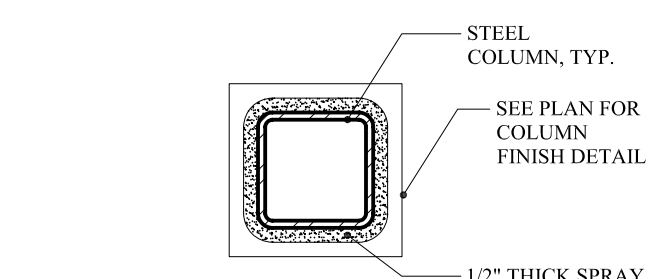
MISC. WALLS



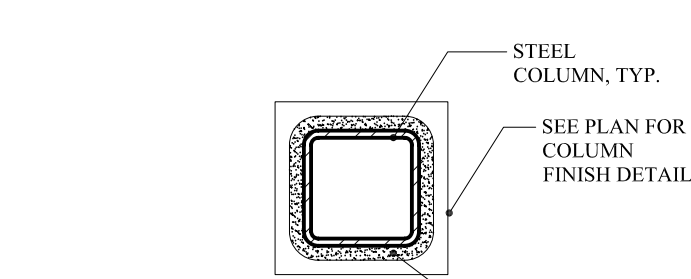
6 SHAFT WALL - (1 HR. RATED)
(UL DESIGN: U415) FIRE CAULK PERIMETER
NON-BEARING
NOTE: METAL STUD GAUGE - 15\"/>



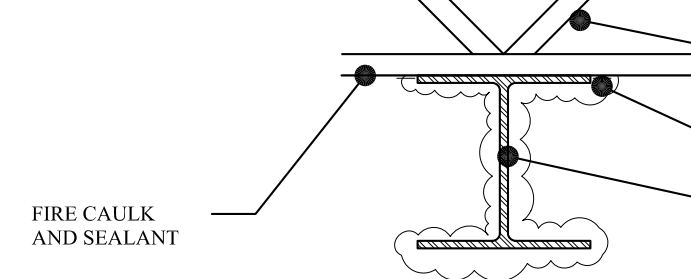
6.1 ELEVATOR SHAFT WALL - (2 HR. RATED)
(UL DESIGN: U334) FIRE CAULK PERIMETER



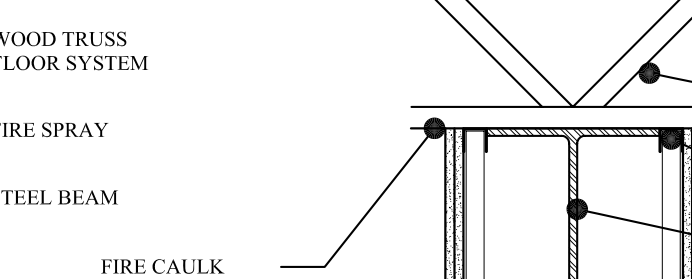
A COLUMN W/ FIRE SPRAY PROTECTION
(UL DESIGN: X771 - 1 HOUR RATING) BASEMENT ONLY



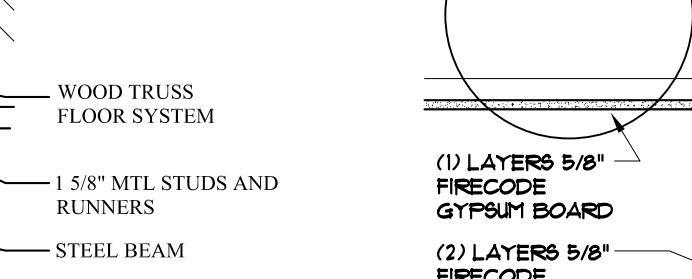
B COLUMN W/ FIRE SPRAY PROTECTION
(UL DESIGN: X771 - 2 HOUR RATING)



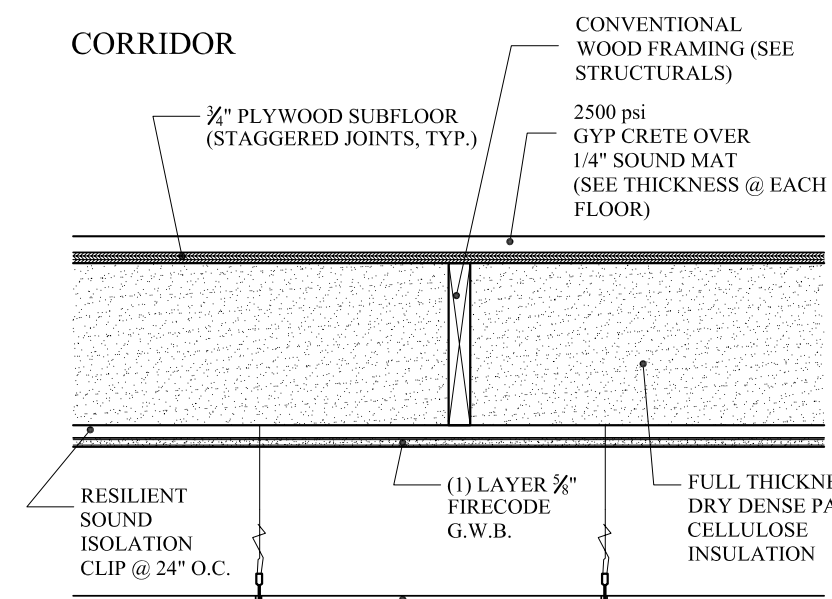
C BEAM WRAP (1 HR. RATED)
(UL DESIGN: X772 SIM. CAULK PERIMETER)
WRAP OVER LENGTH OF BEAM FROM COLUMN TO COLUMN



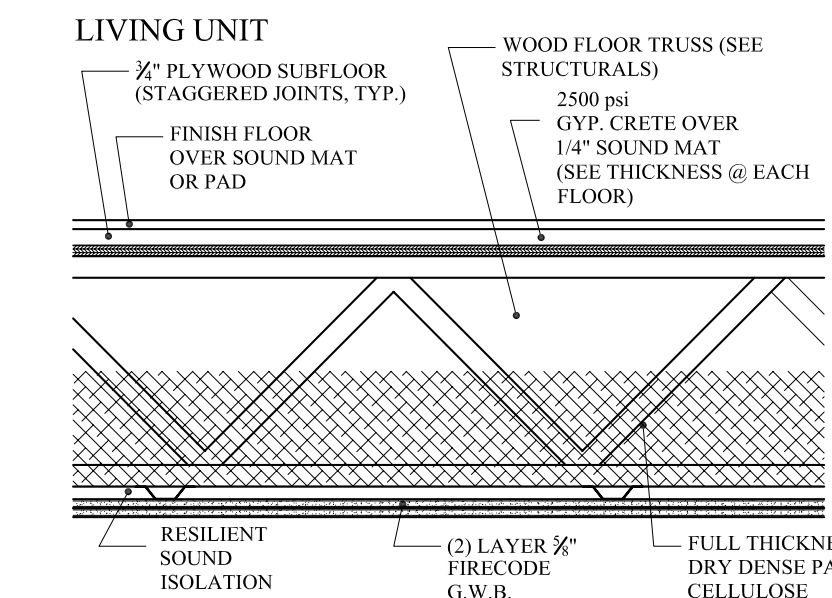
D TYPICAL BEAM WRAP (1 HR. RATED)
(UL DESIGN: L524 CAULK PERIMETER)
WRAP OVER LENGTH OF BEAM FROM COLUMN TO COLUMN



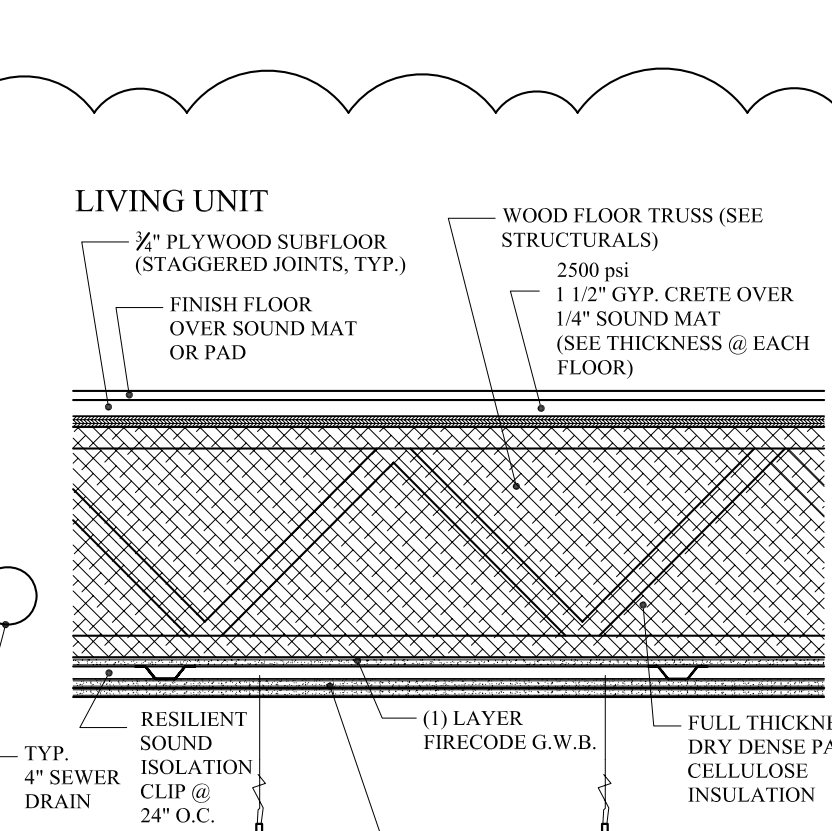
E 1 HOUR FLOOR/ BEAM ASSEMBLY
(UL DESIGN: L524 6\"/>



1 WOOD FLOOR JOIST CORRIDOR - (1 HR. RATED)
(UL DESIGN: L516) CAULK PERIMETER



2 WOOD FLOOR TRUSS - (1 HR. RATED)
(UL DESIGN: L521) CAULK PERIMETER
* INSTALL ALL MATERIALS PER MANUFACTURE REQUIREMENTS



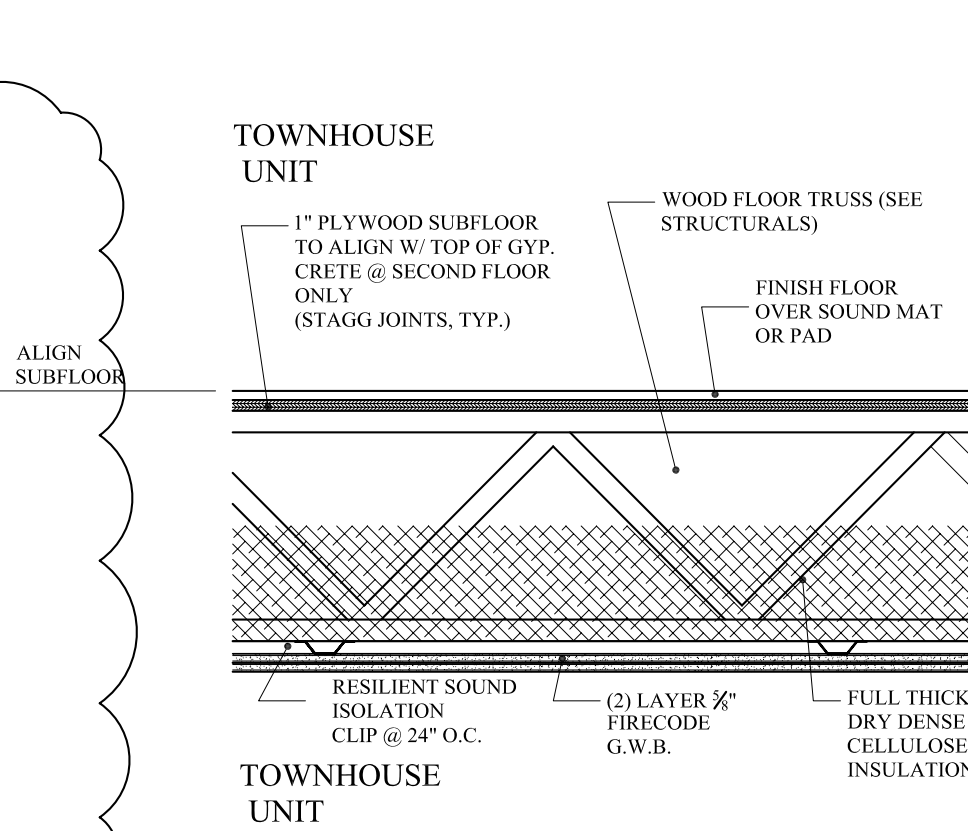
3 WOOD FLOOR TRUSS - (2 HR. RATED)
(UL DESIGN: L577) CAULK PERIMETER
* INSTALL ALL MATERIALS PER MANUFACTURE REQUIREMENTS



4 WOOD FLOOR TRUSS - (NON-RATED)
CAULK PERIMETER
* DO NOT PENETRATE FIRE RATED CLG ASSEMBLY WITH RECESSED LIGHTING



5 WOOD ROOF TRUSS - (1 HR. RATED)
(UL DESIGN: P522 SIM. PARALLEL CHORD) CAULK PERIMETER
* DO NOT PENETRATE FIRE RATED CLG ASSEMBLY WITH RECESSED LIGHTING



6 EXTERIOR WOOD ROOF TRUSS

MARK L. MUELLER ARCHITECTS
A.I.A.
100 Commercial Street
Suite 205
Portland, Maine 04101
Phone: 207.774.9057
Email: rfm@muellerarchitects.com

SEAPORT LOFTS
113 NEWBURY STREET
PORTLAND, MAINE 04101

WALL TYPES

REVISIONS
DATE: 6.12.2014
PROJECT: SEAPORT LOFTS
DRAWN BY: MRP
CHECK BY: MLM