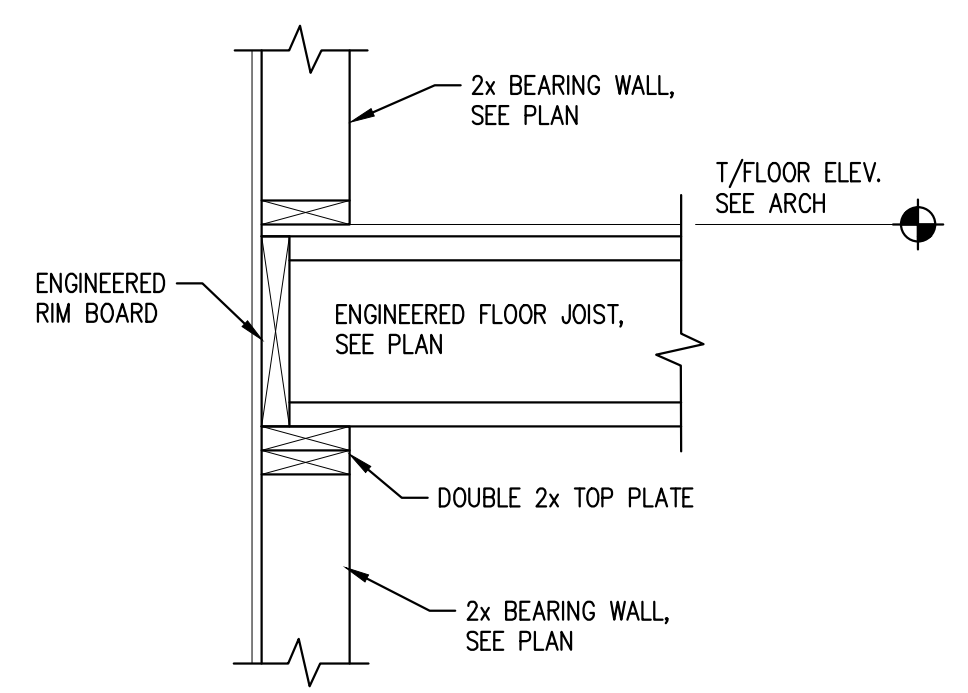
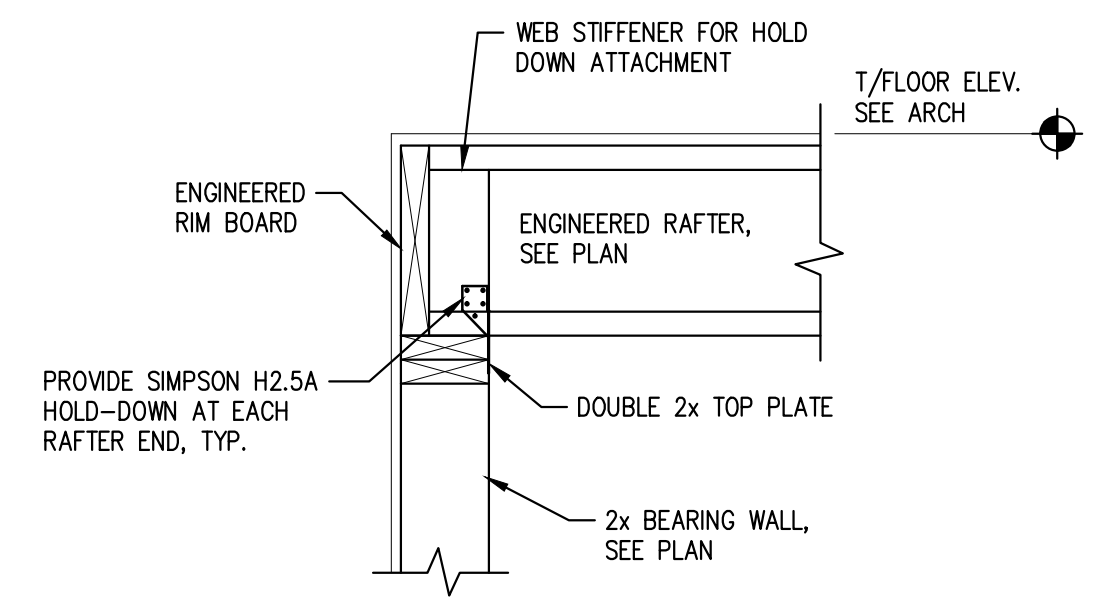


THE HAWK
 48 HANCOCK STREET
 PORTLAND, MAINE
NEW BUILDING



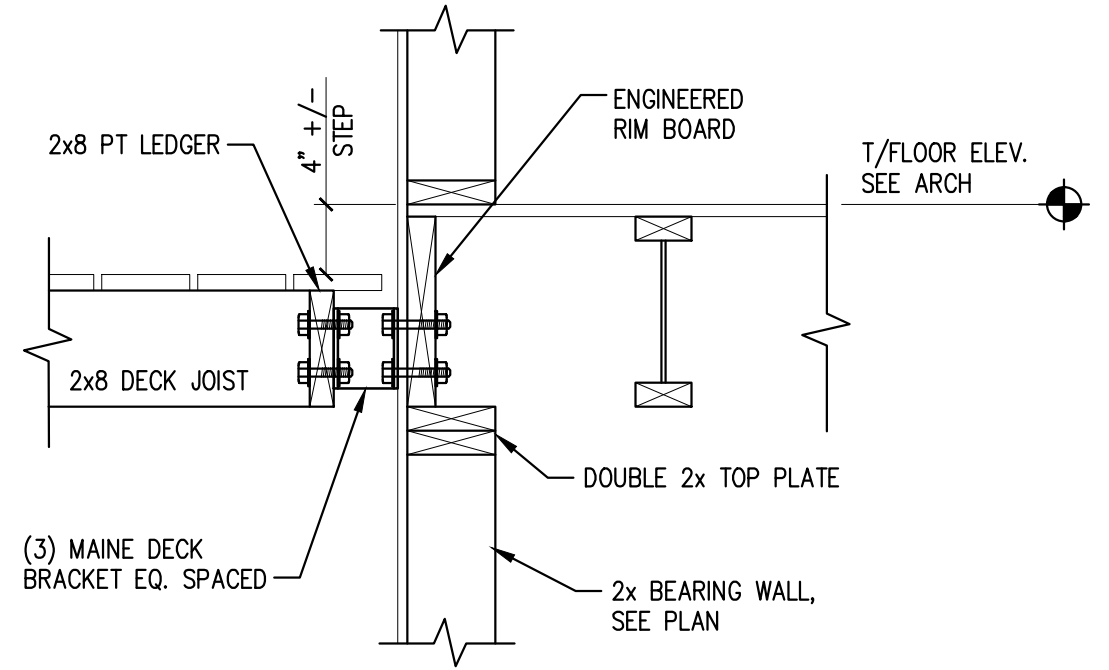
NOTE: BLOCK BEARING WALLS @ 4'-0" o.c., VERT., TYP.

TYP. BEARING WALL DETAIL SCALE: 1"=1'-0" 1

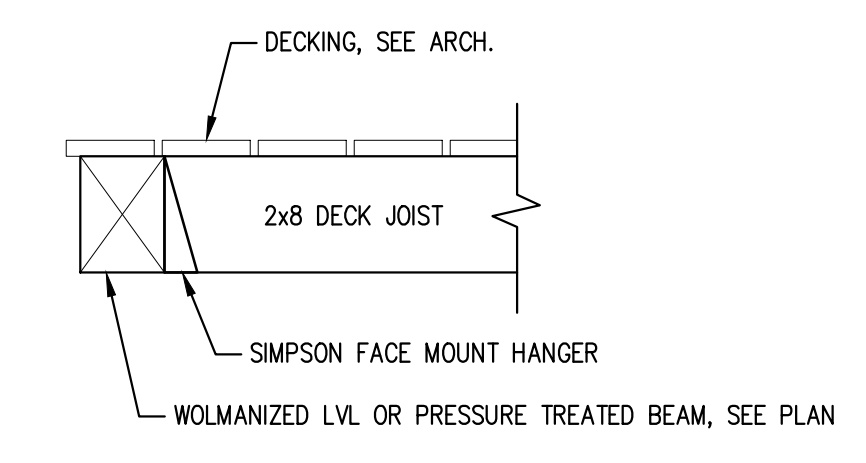


NOTE: BLOCK BEARING WALLS @ 4'-0" o.c., VERT., TYP.

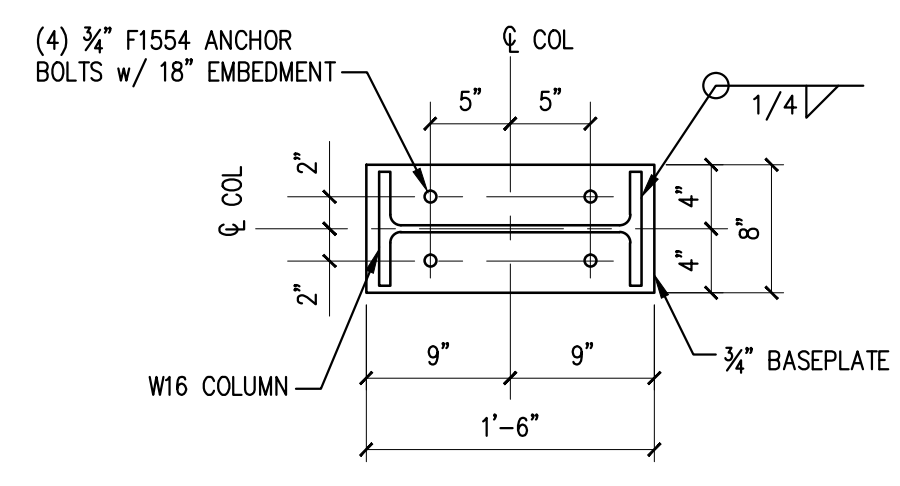
SECTION SCALE: 1"=1'-0" 2



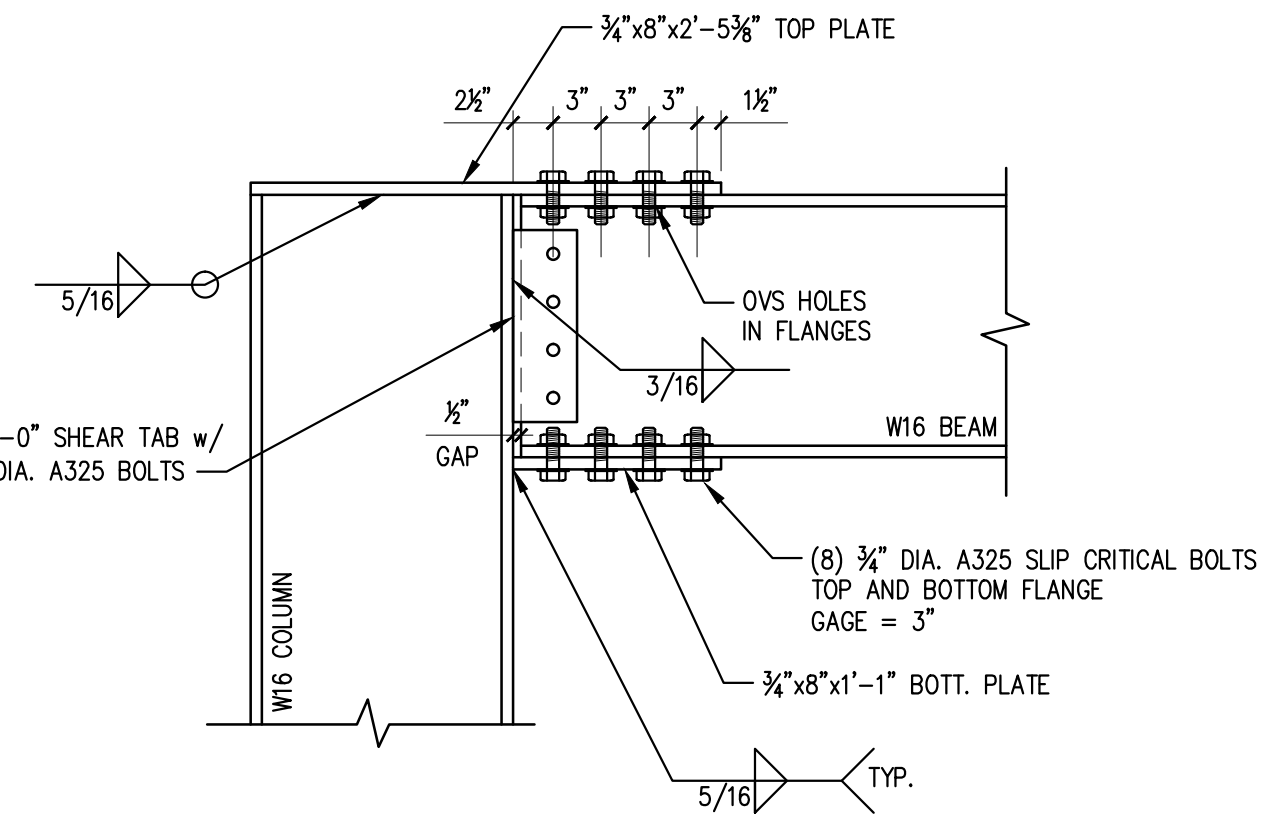
TYPICAL DETAIL AT DECK SCALE: 1"=1'-0" 3



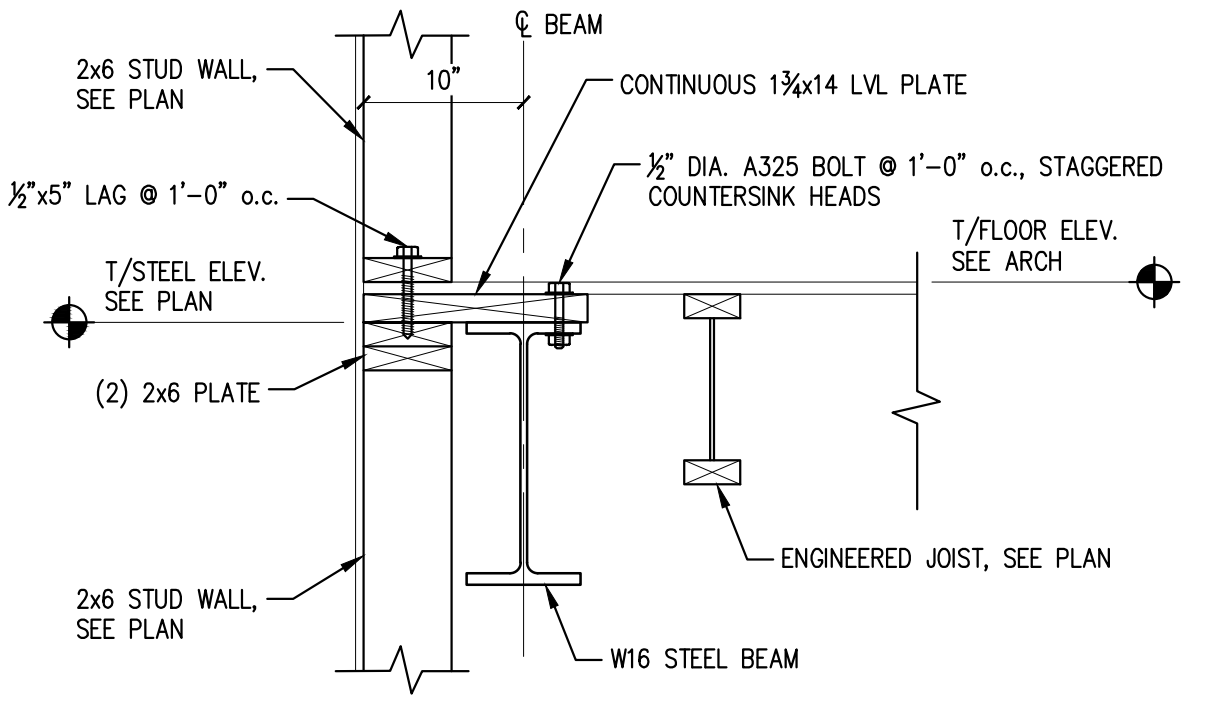
DETAIL AT EXTERIOR DECK SCALE: 1"=1'-0" 4



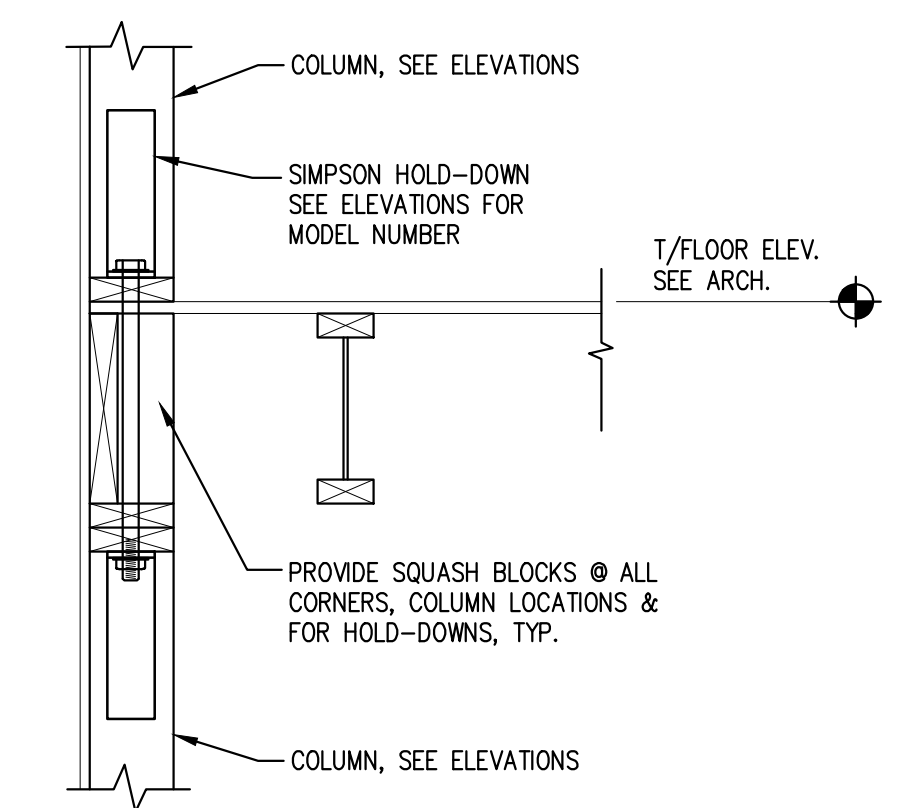
BASEPLATE DETAIL SCALE: 1"=1'-0" 5



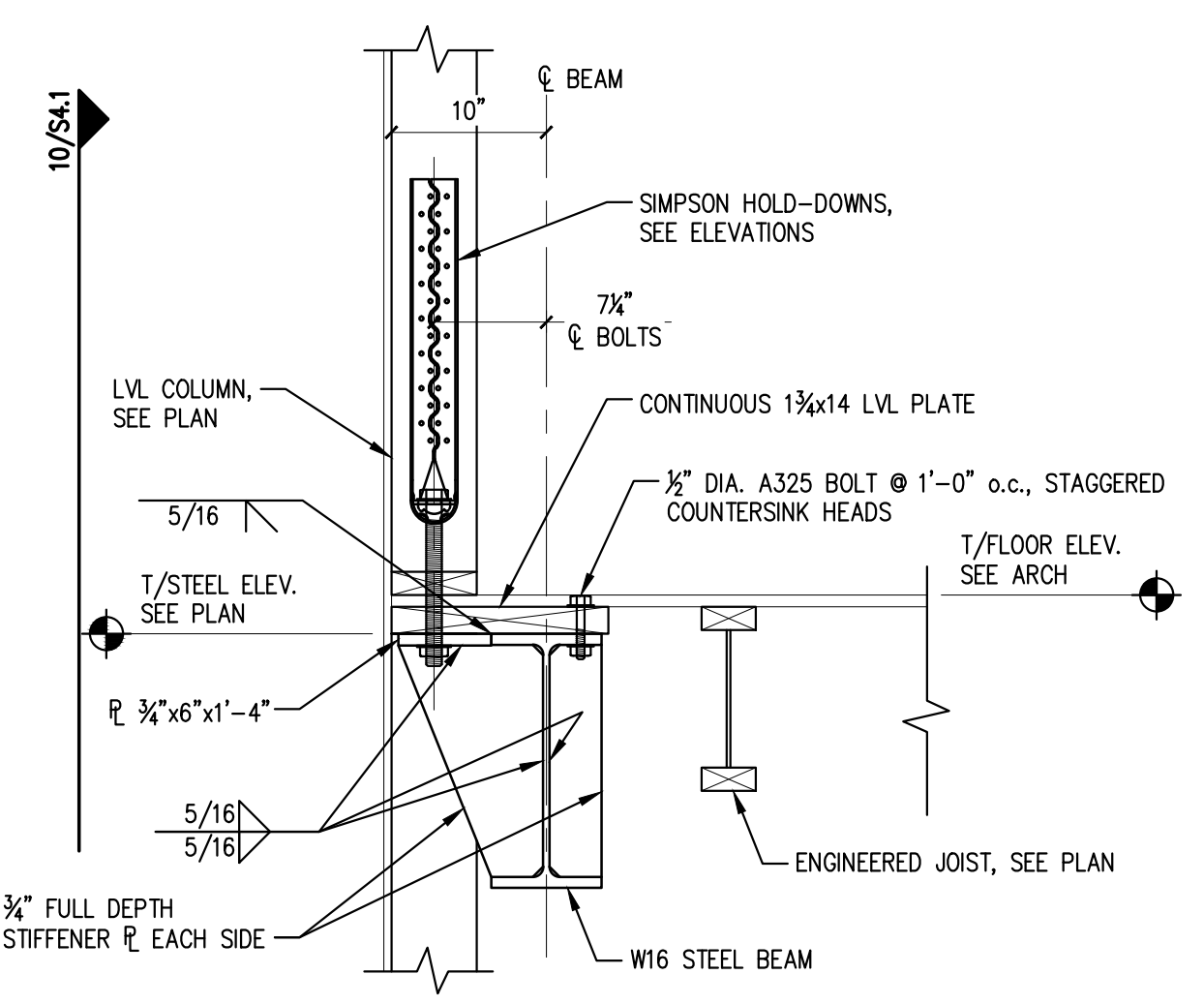
MOMENT CONNECTION SCALE: 1"=1'-0" 6



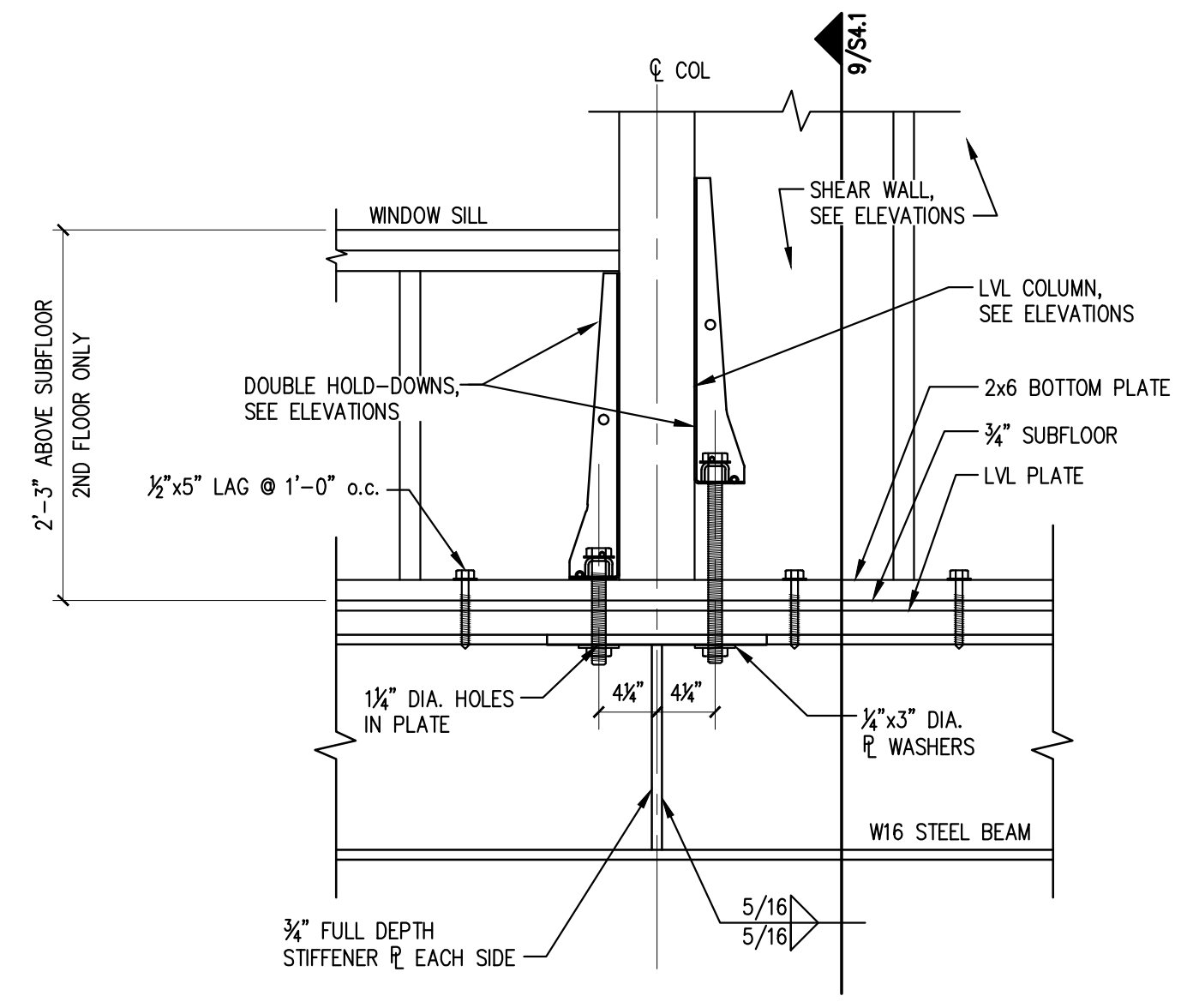
SECTION SCALE: 1"=1'-0" 7



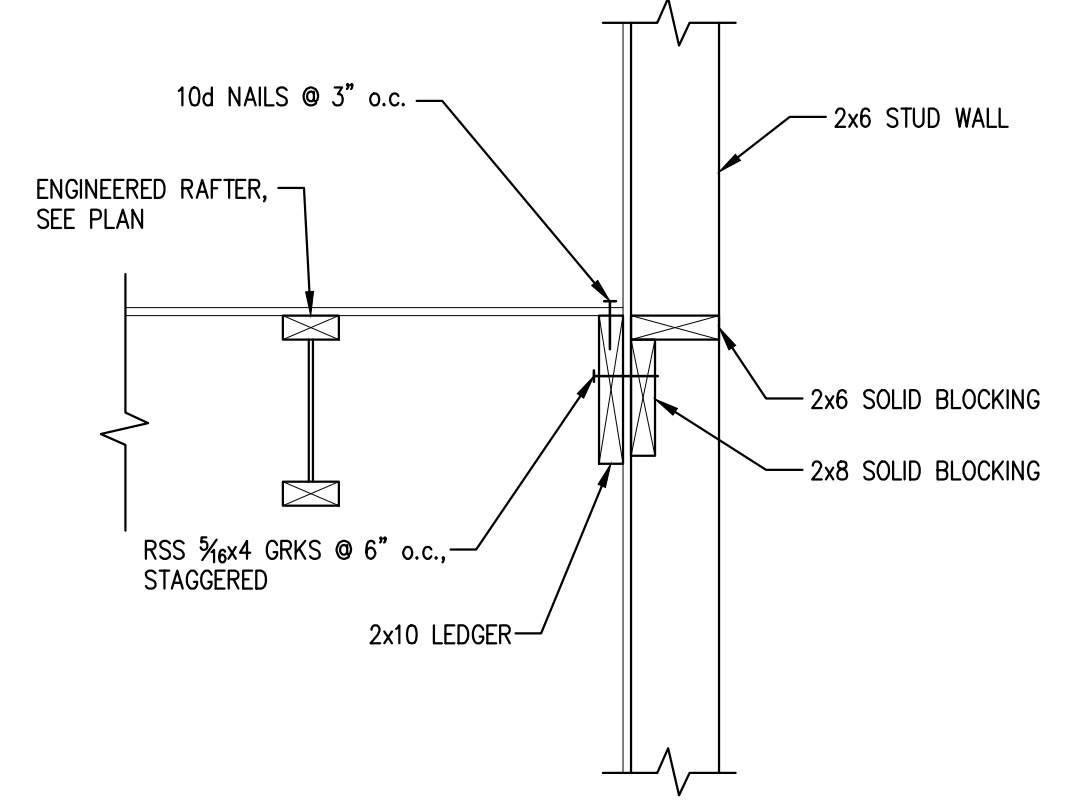
TYPICAL DETAIL AT HOLD-DOWN SCALE: 1"=1'-0" 8



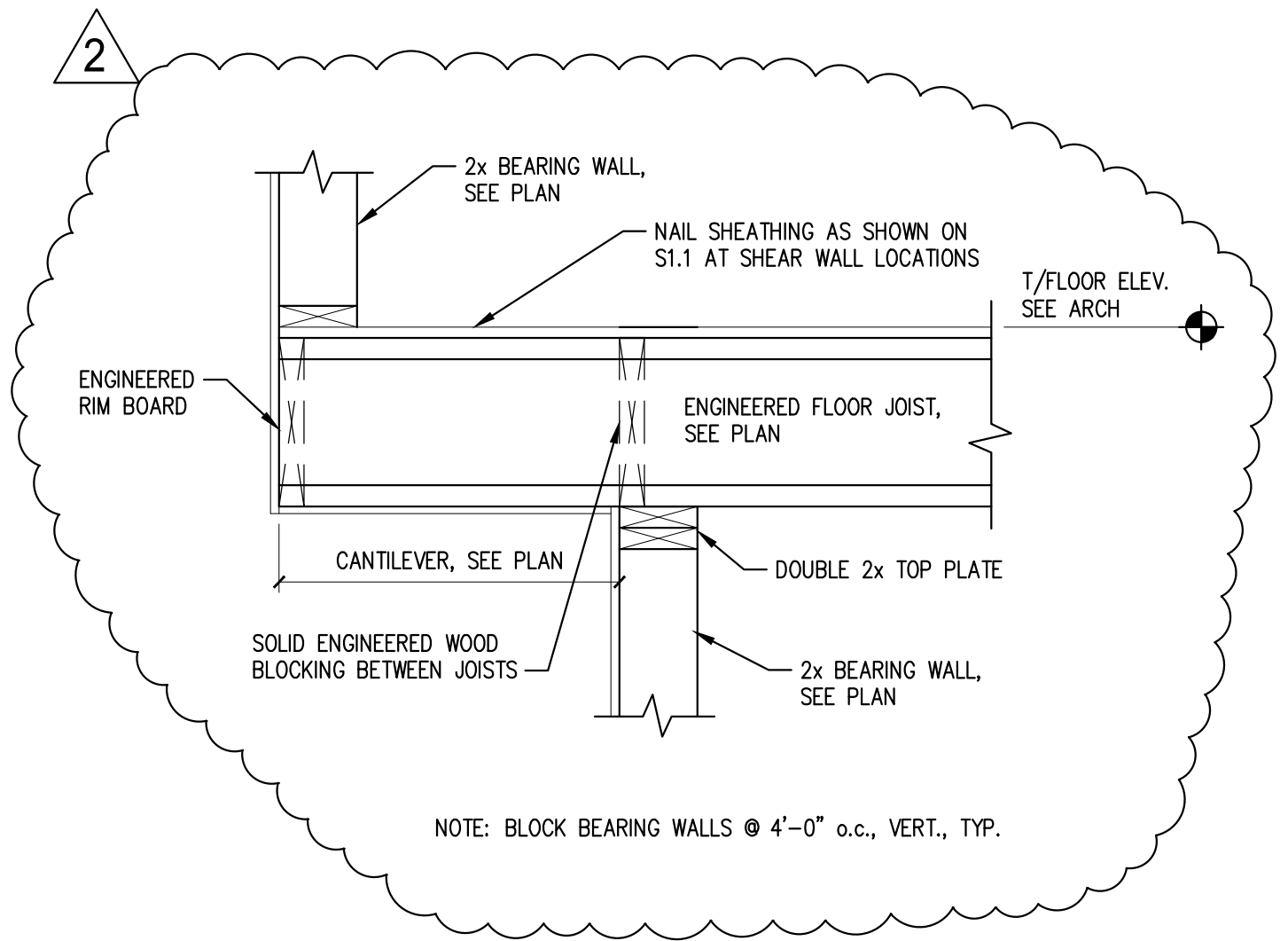
SECTION SCALE: 1"=1'-0" 9



SECTION SCALE: 1"=1'-0" 10



SECTION SCALE: 1"=1'-0" 11



SECTION SCALE: 1"=1'-0" 12

DR.	CHK.	DATE	DESCRIPTION	
			BY	ED
TD	TD	3-21-16	ISSUE FOR CONSTRUCTION	
TD	TD	10-14-16	ADDENDUM #2	

SHEET TITLE:

FRAMING DETAILS

DESIGNED:	TD
DRAWN:	TD
DATE:	11-13-14
PROJECT NUMBER:	14-135

PRINTED: Oct 14, 2016