

THE HAWK
 48 HANCOCK STREET
 PORTLAND, MAINE
 NEW BUILDING

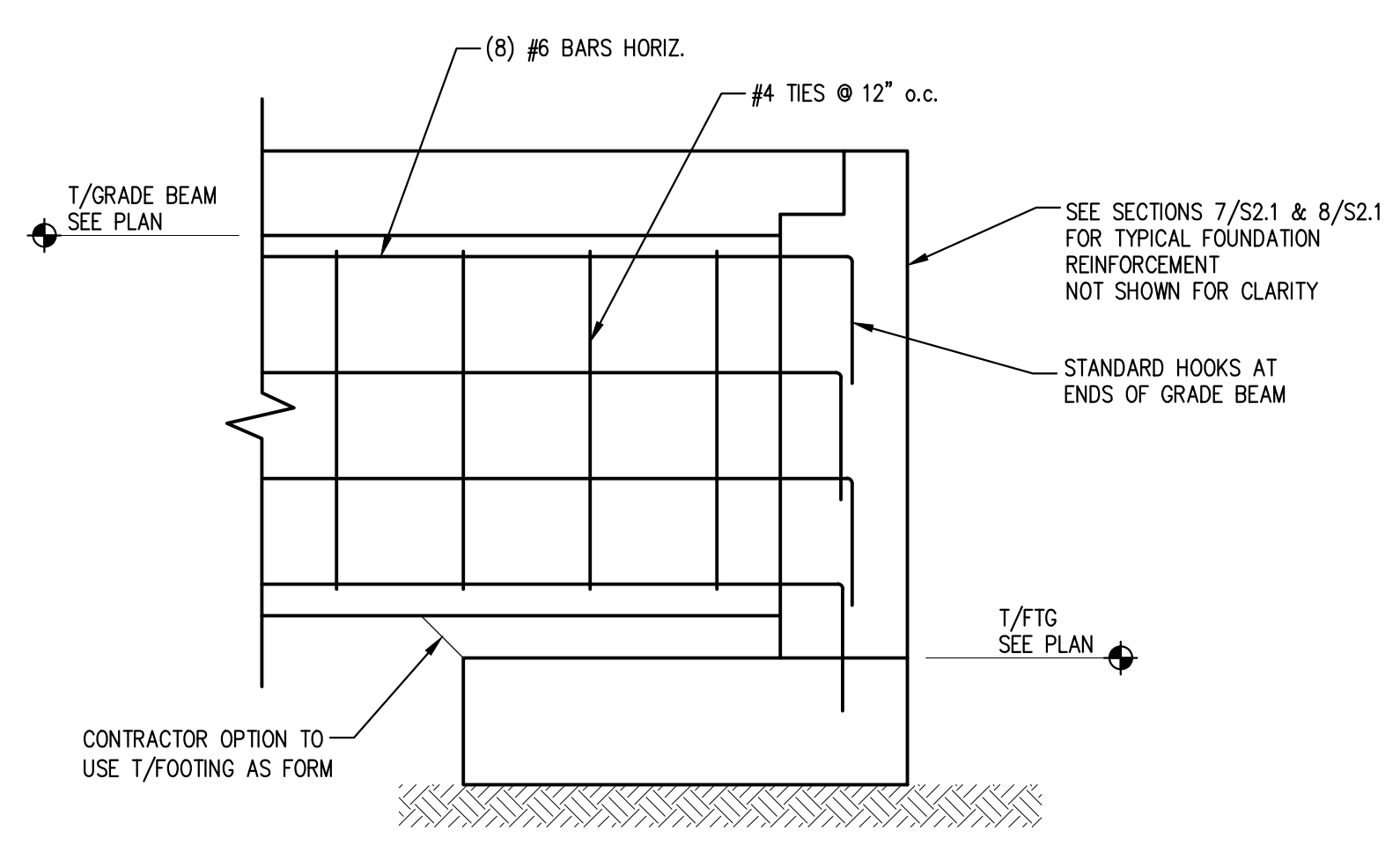
No.	DESCRIPTION	ISSUED FOR CONSTRUCTION	DR.	CHK.	DATE
			BY	BY	ED
0			TD	ED	3-21-16

SHEET TITLE:

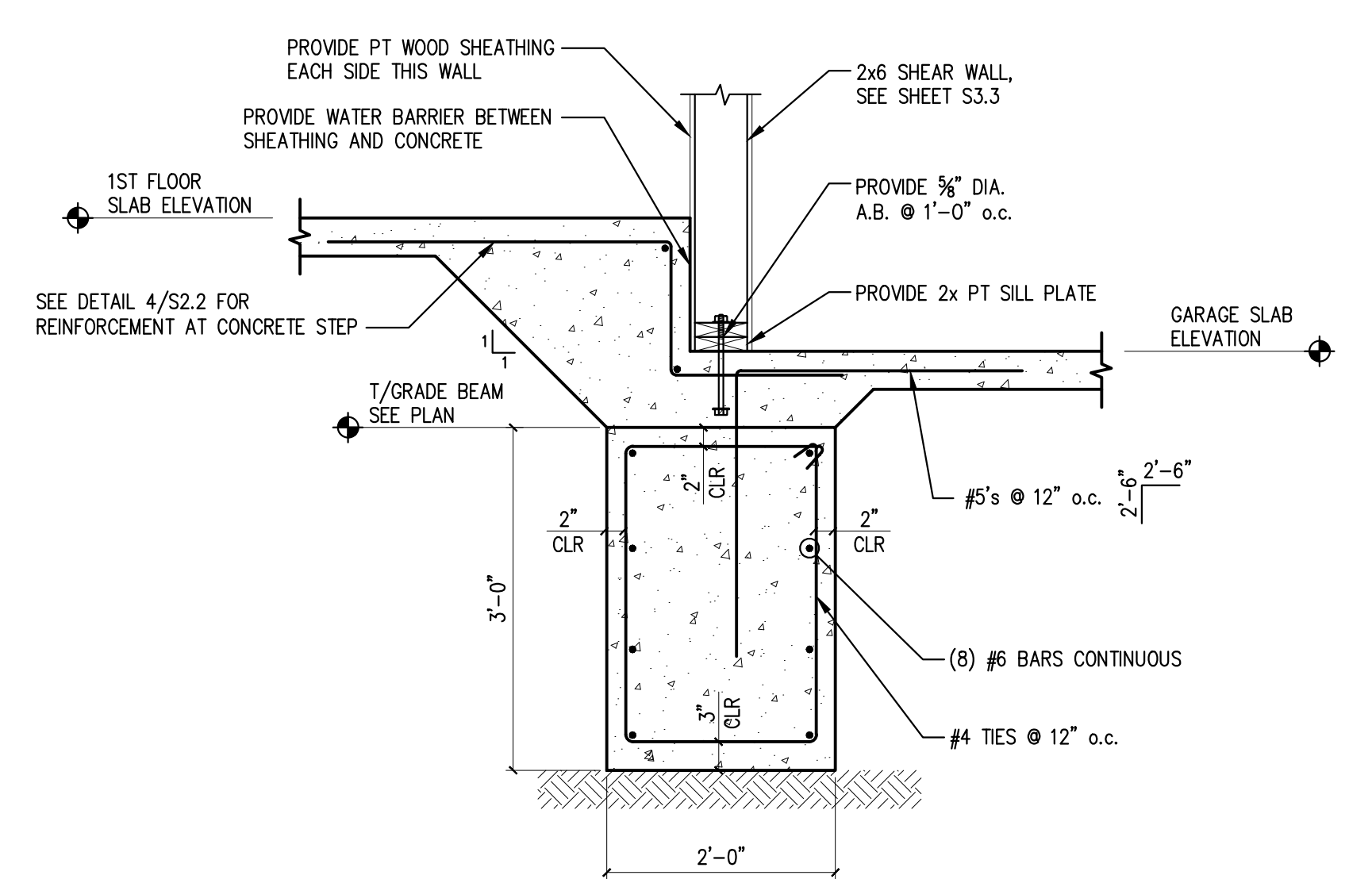
FOUNDATION DETAILS

DESIGNED: TD
 DRAWN: TD
 DATE: 11-13-14
 PROJECT NUMBER: 14-135

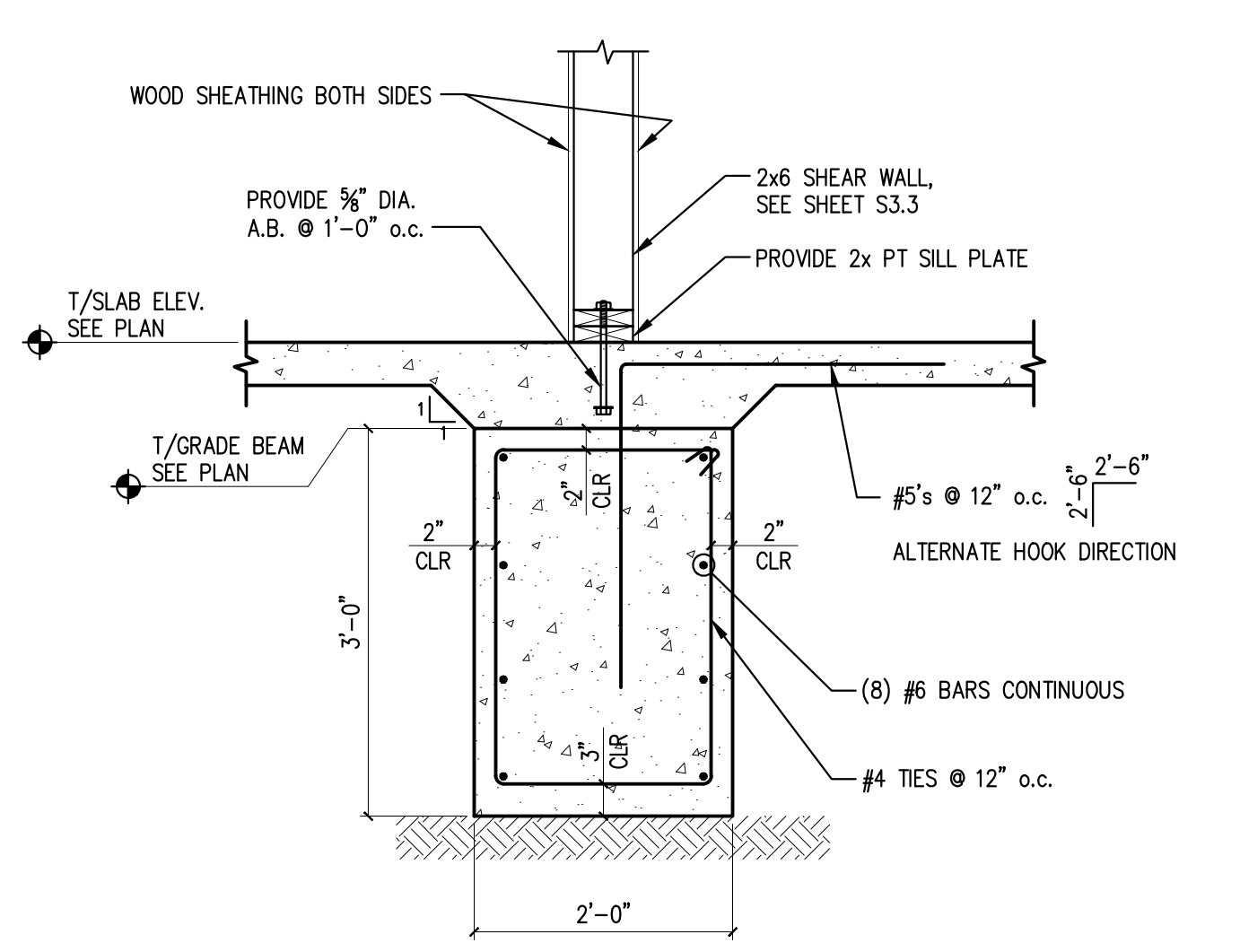
S2.2



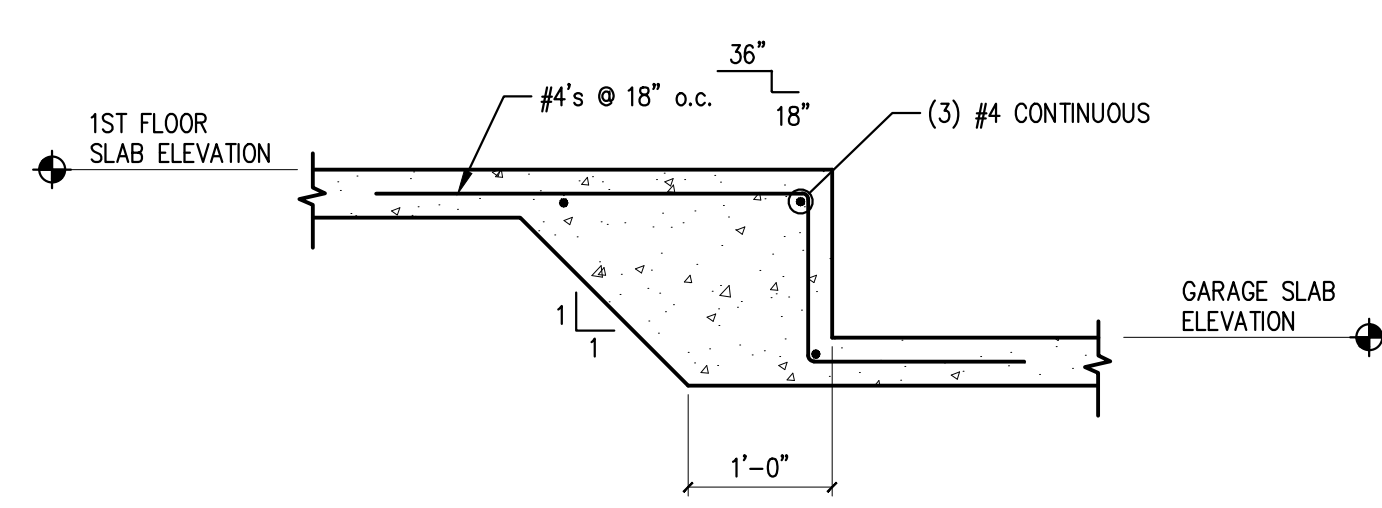
SECTION 3 SCALE: 3/4"=1'-0" 3



SECTION 2 SCALE: 3/4"=1'-0" 2



SECTION 1 SCALE: 3/4"=1'-0" 1



SECTION 4 SCALE: 3/4"=1'-0" 4

PRINTED: Oct 14, 2016