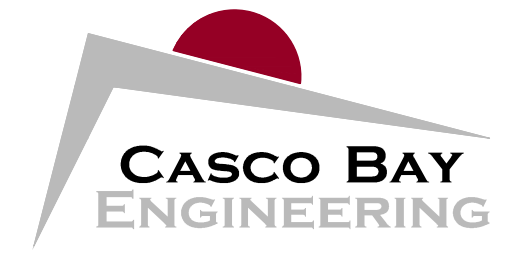
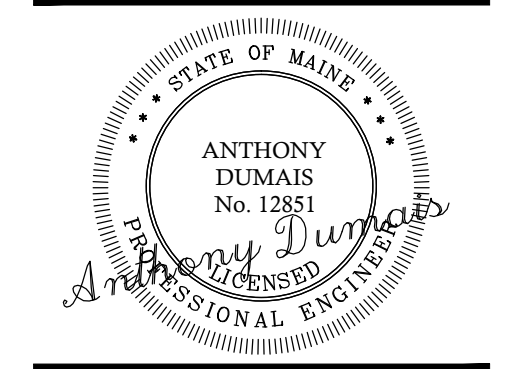


PRINTED: Oct 17, 2016



424 Fore Street  
Portland, ME 04101  
Phone 207.842.2800  
Fax 207.842.2828  
www.cascobayengineering.com

CLIENT:  
**SUNNY TIME SOLAR LLC**  
PO BOX 15372  
PORTLAND, ME 04101



THE HAWK  
48 HANCOCK STREET  
PORTLAND, MAINE  
NEW BUILDING

| DR. | CHK. | DATE     |
|-----|------|----------|
| BY  | BY   | 3-21-16  |
| TD  | ED   | 5-13-16  |
| TD  | TD   | 10-14-16 |

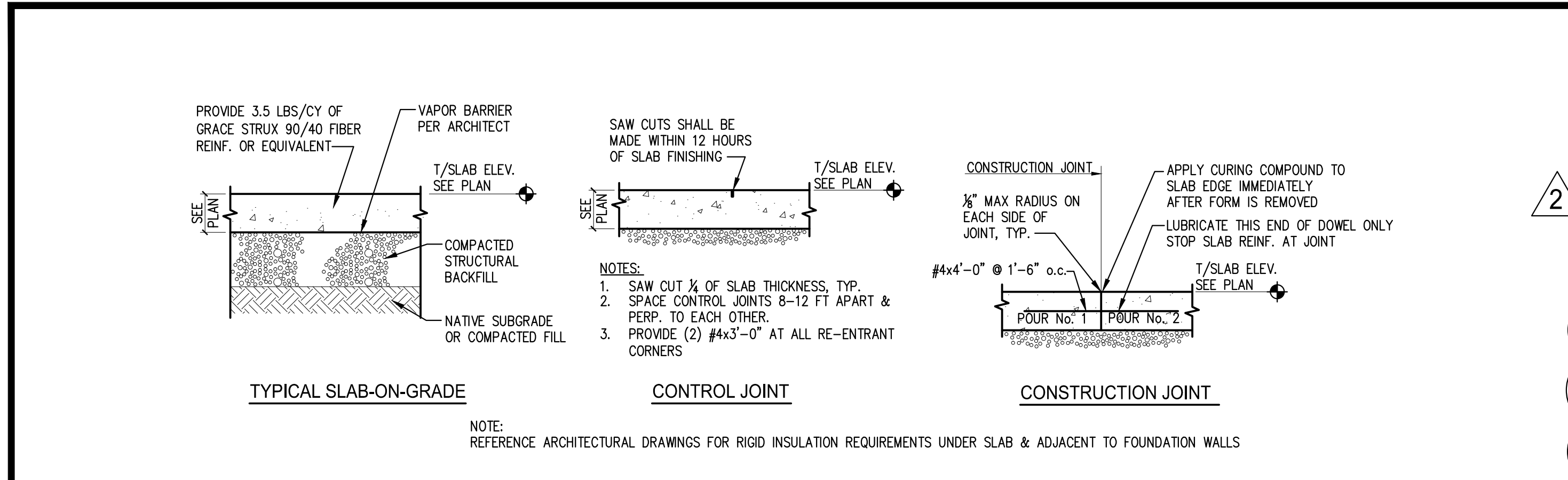
  

| ISSUED | DESCRIPTION            | DATE |
|--------|------------------------|------|
| 0      | ISSUE FOR CONSTRUCTION |      |
| 1      | ADDENDUM #1            |      |
| 2      | ADDENDUM #2            |      |

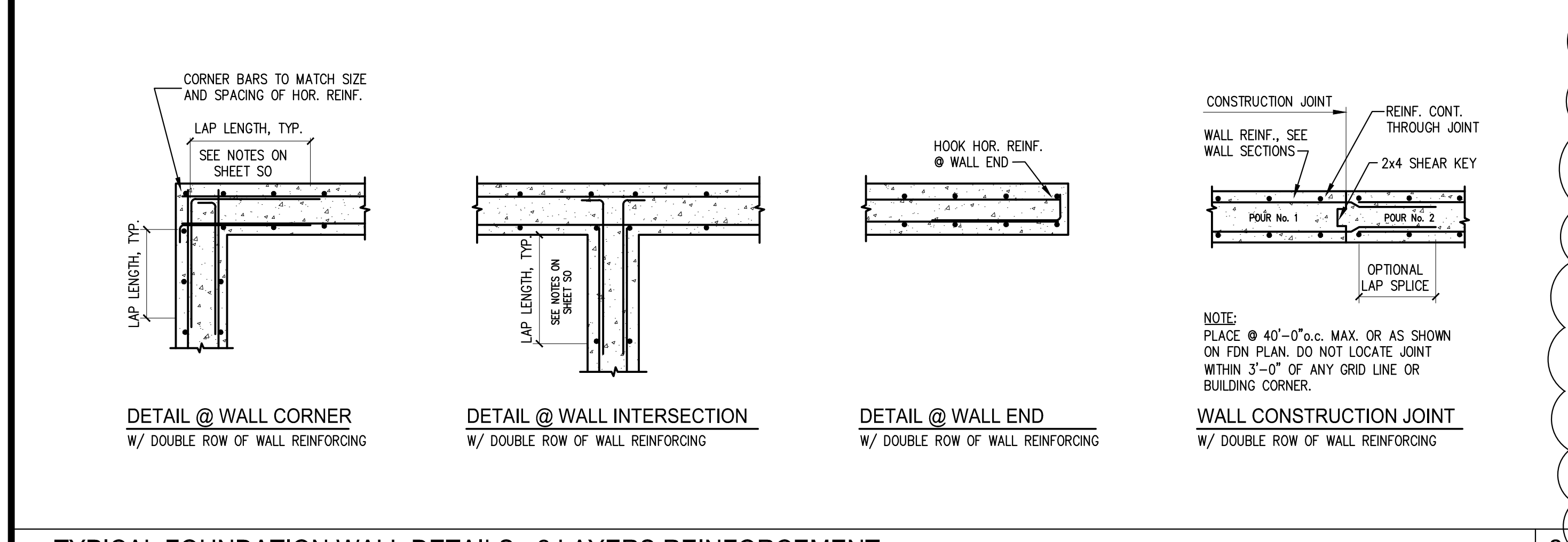
SHEET TITLE:  
**FOUNDATION DETAILS**

DESIGNED: TD  
DRAWN: TD  
DATE: 11-13-14  
PROJECT NUMBER: 14-135

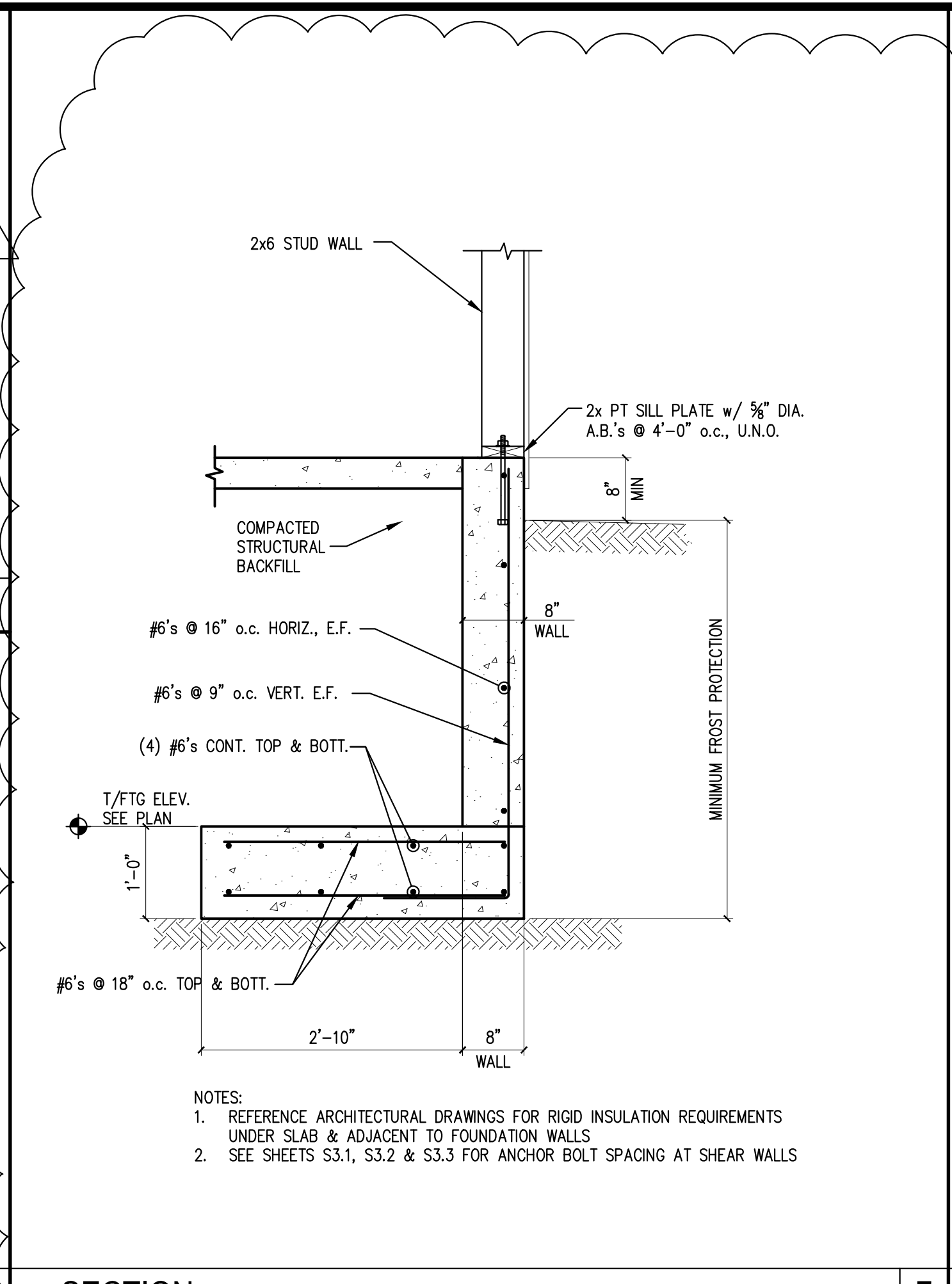
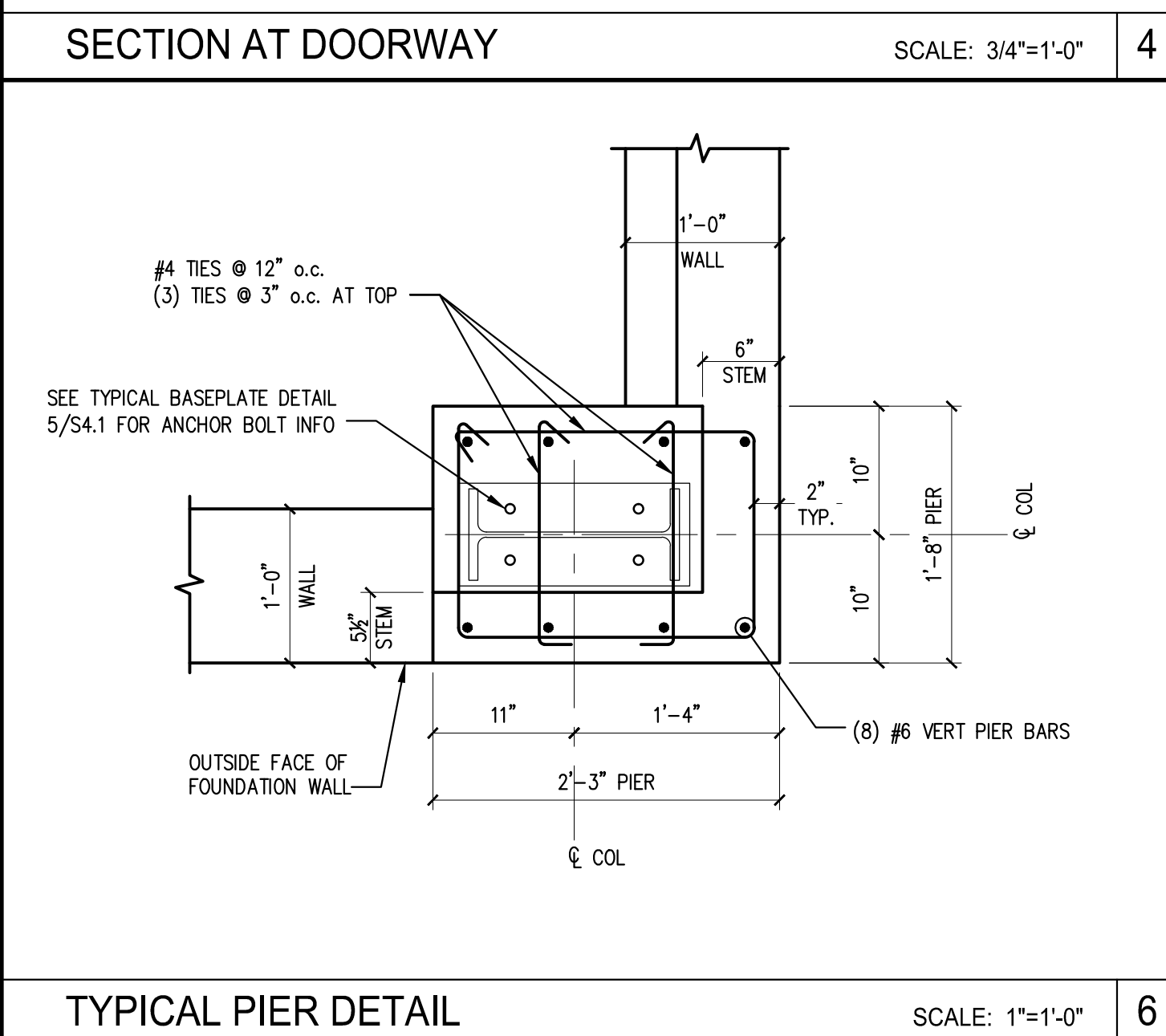
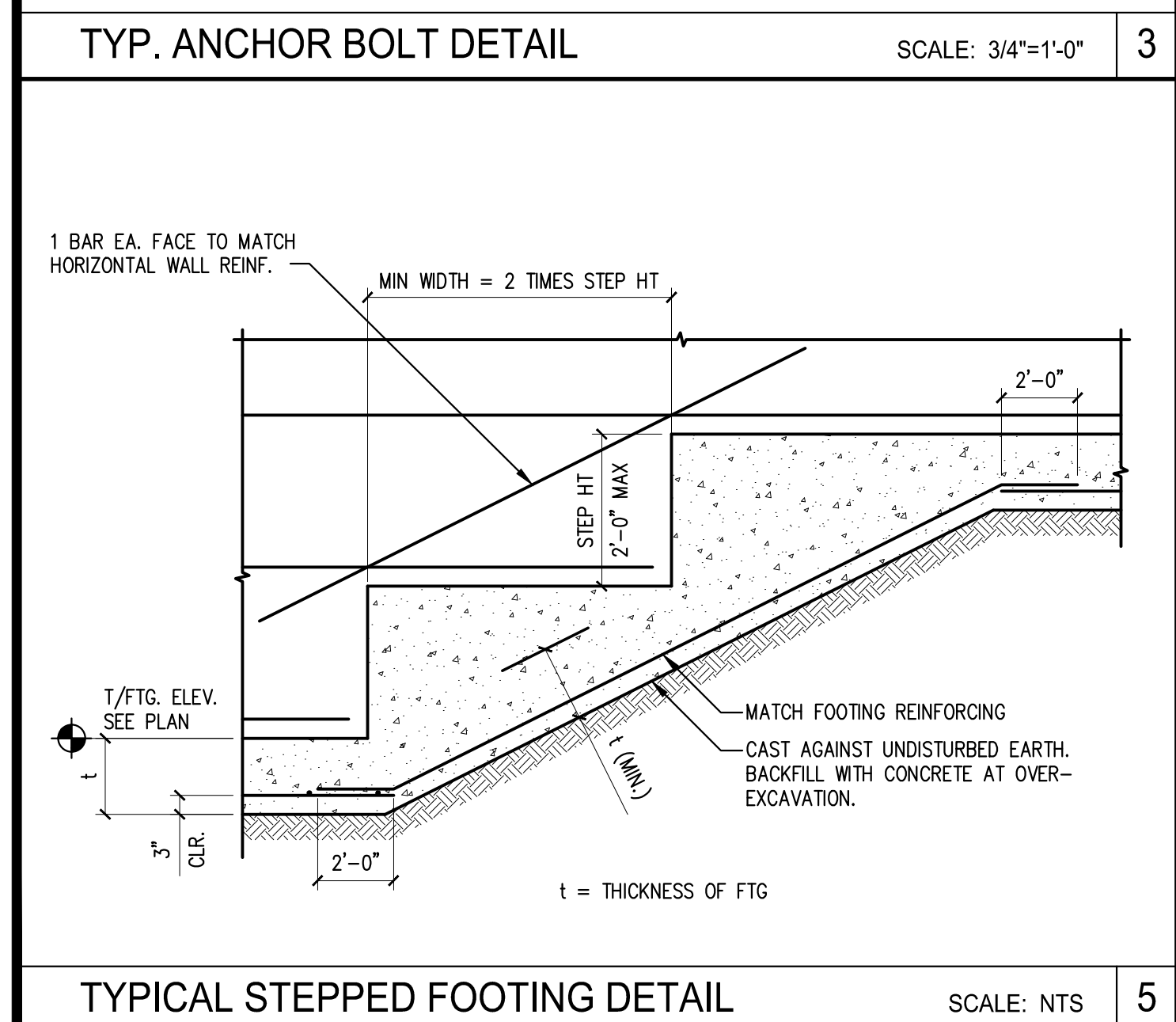
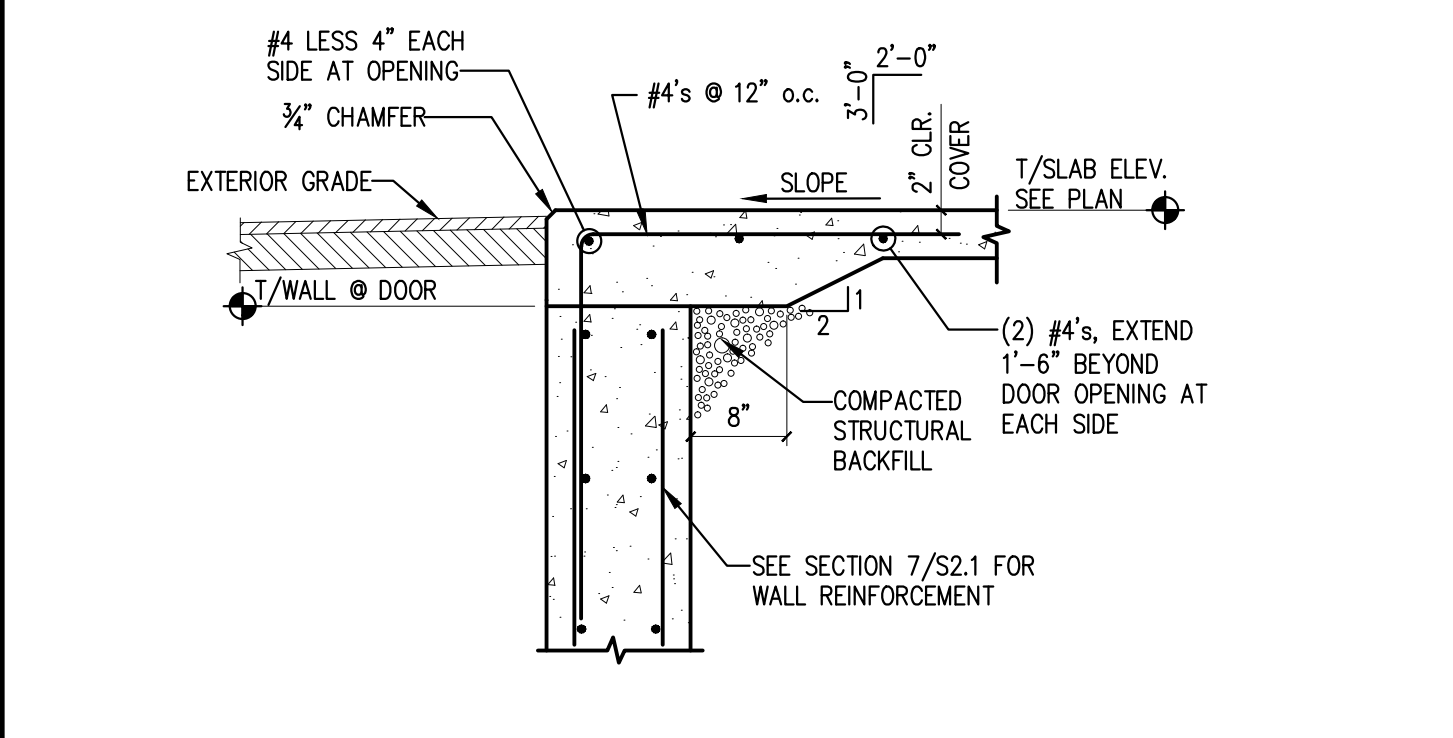
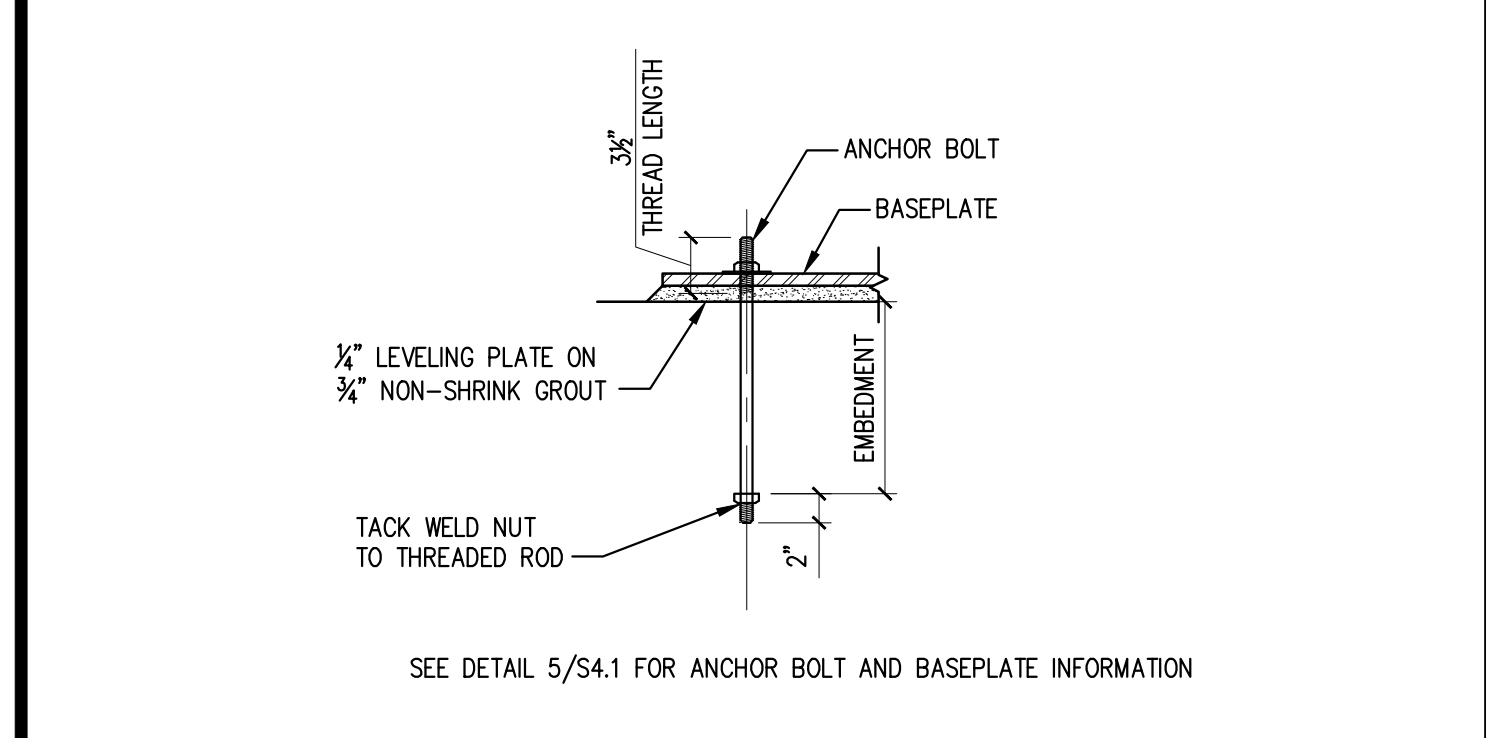
**S2.1**



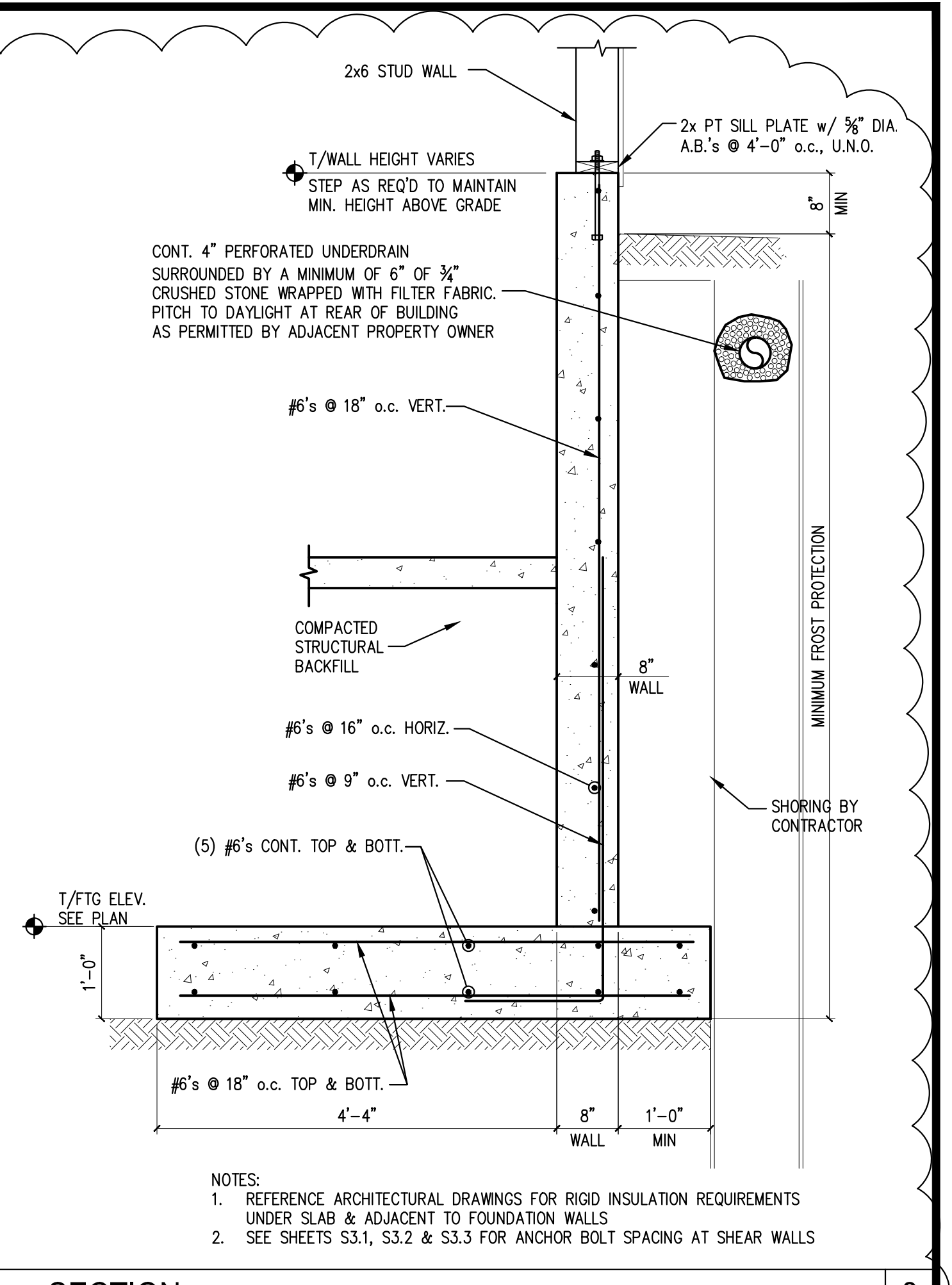
TYPICAL SLAB-ON-GRADE DETAILS SCALE: NTS 1



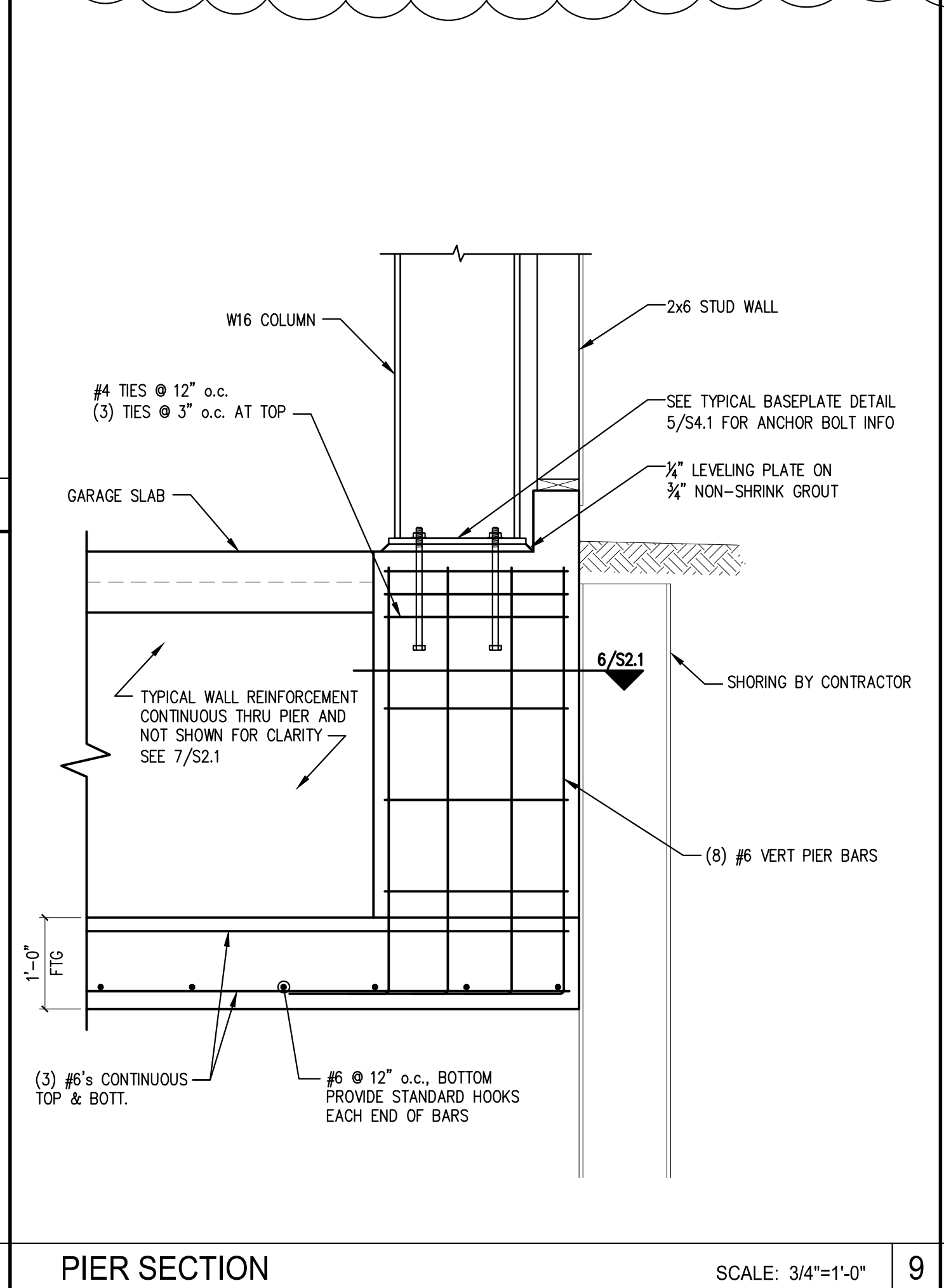
TYPICAL FOUNDATION WALL DETAILS - 2 LAYERS REINFORCEMENT SCALE: NTS 2



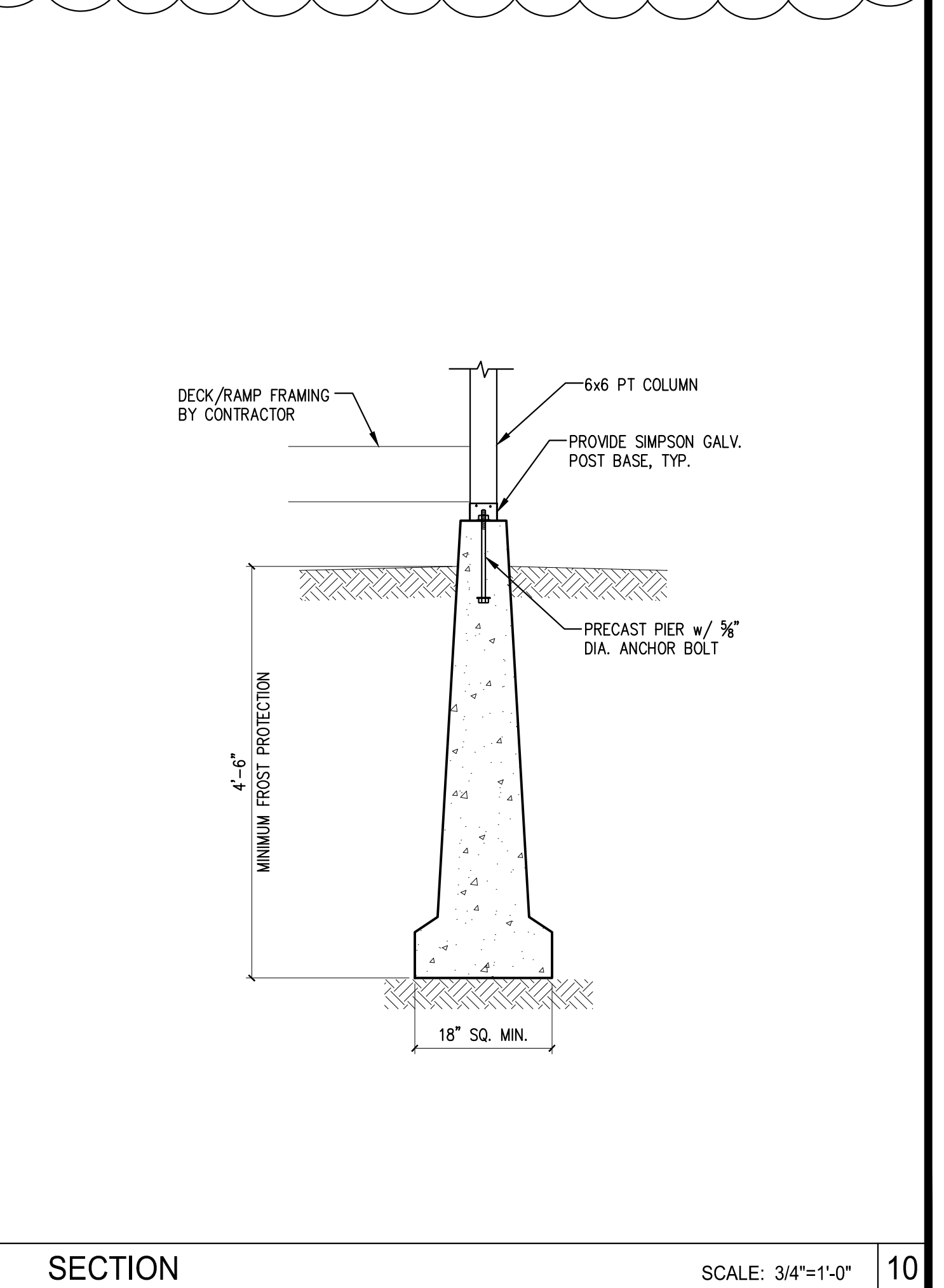
SECTION SCALE: 3/4"=1'-0" 7



SECTION SCALE: 3/4"=1'-0" 8



PIER SECTION SCALE: 3/4"=1'-0" 9



SECTION SCALE: 3/4"=1'-0" 10