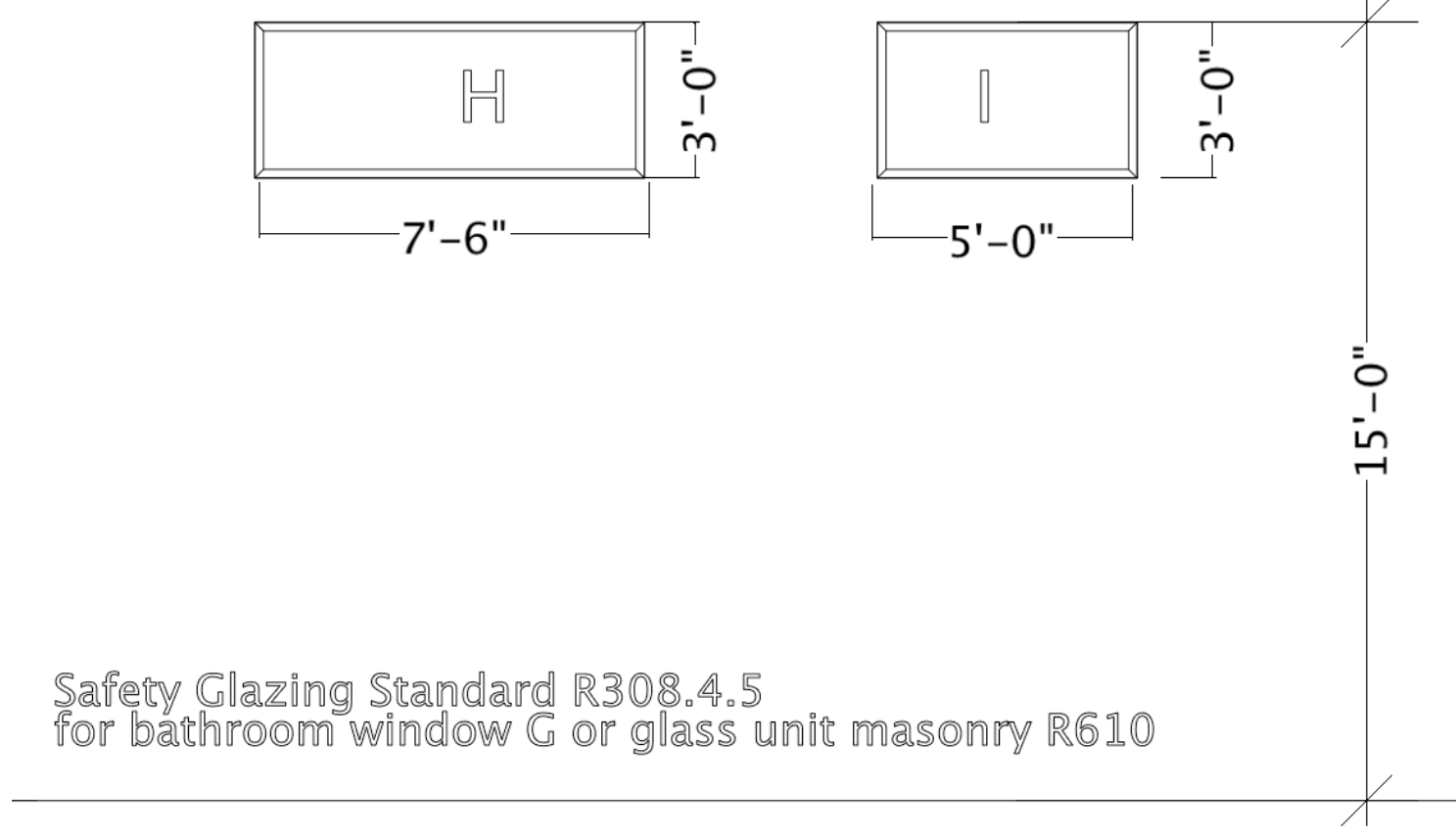
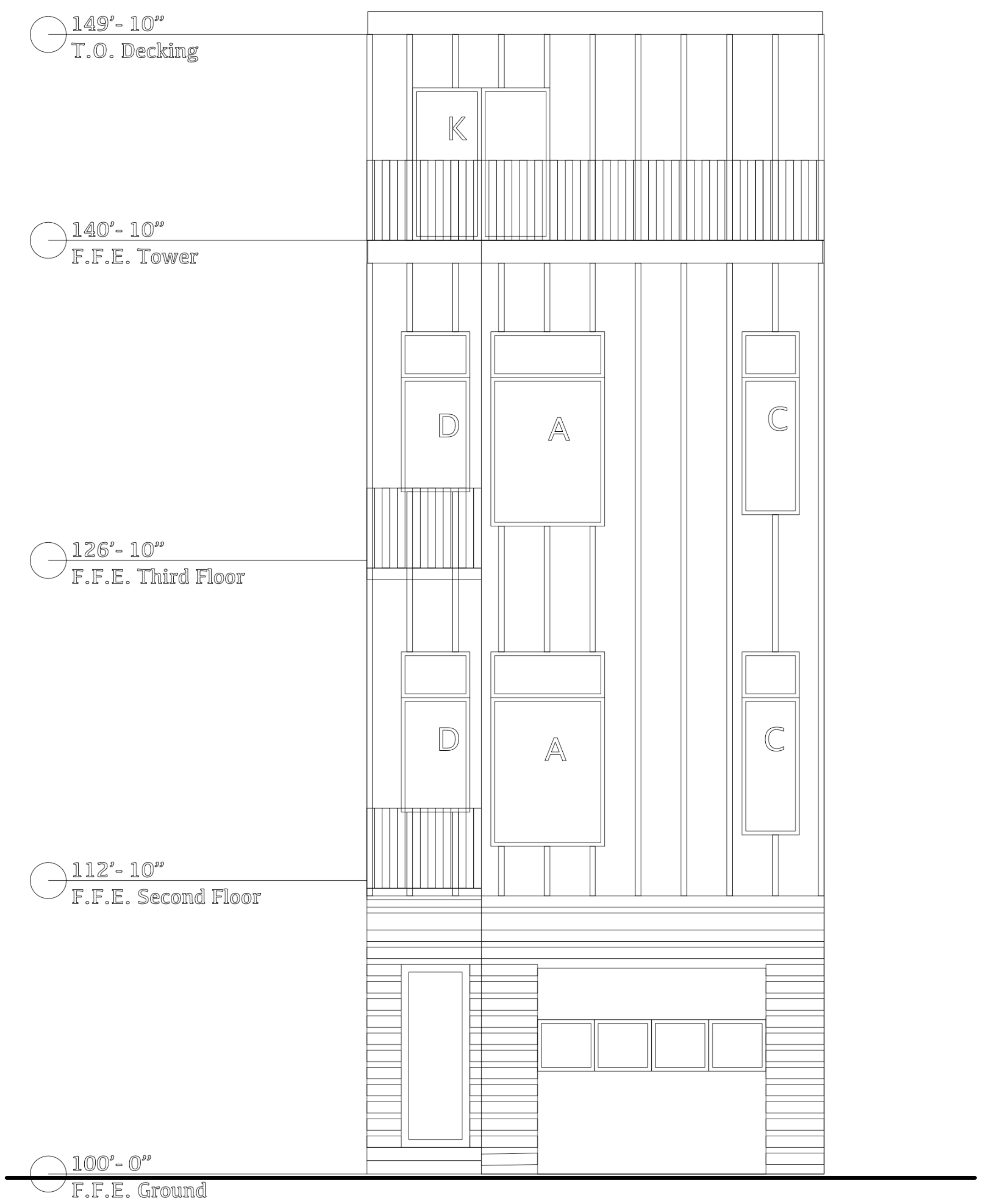


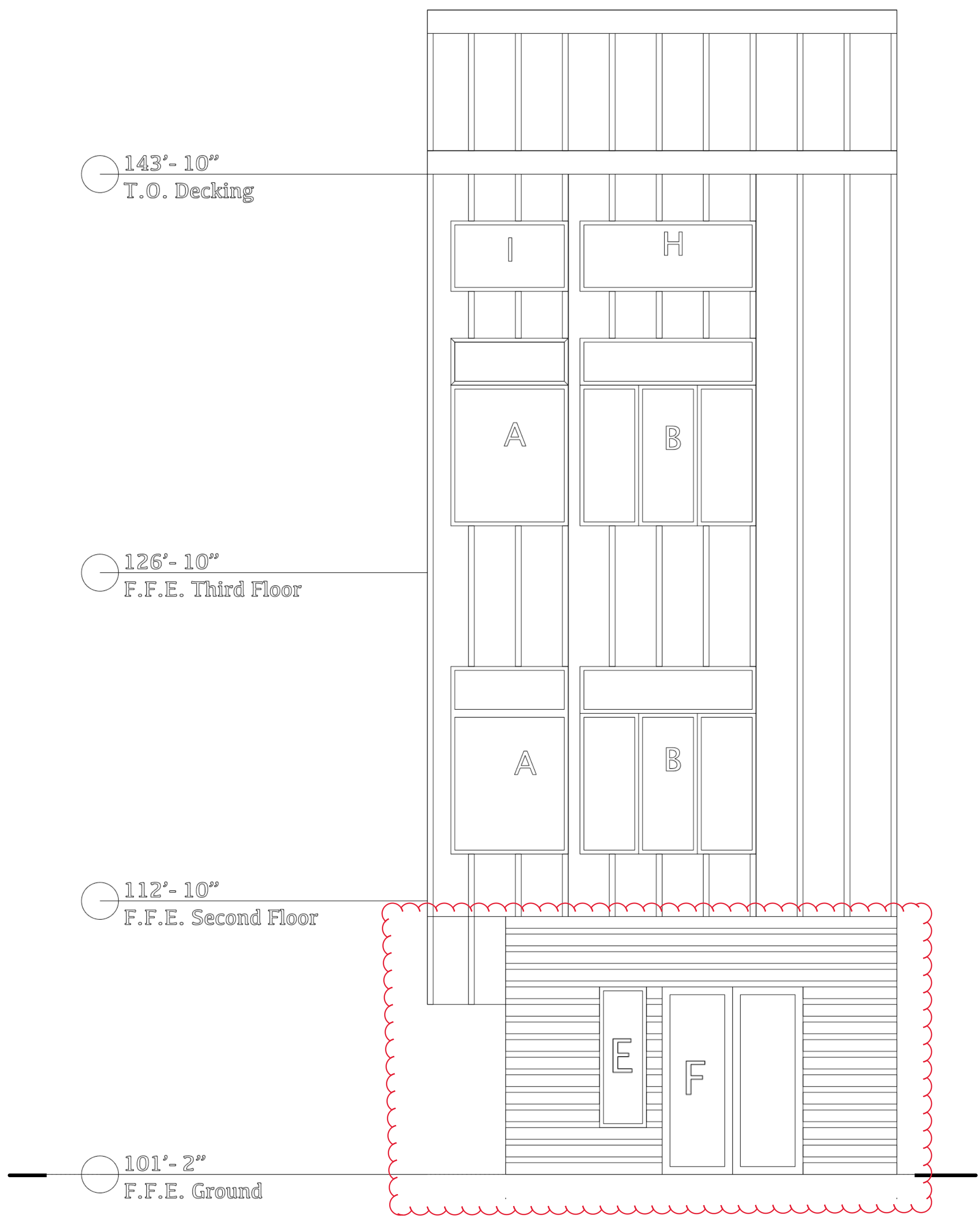
DOOR AND WINDOW SCHEDULE



Safety Glazing Standard R308.4.5
for bathroom window C or glass unit masonry R610



20 EAST ELEVATION
SCALE: 1/4" = 1'-0"



10 WEST ELEVATION
SCALE: 1/4" = 1'-0"

REVISIONS

1	
2	
3	
4	
5	

AS BUILT
DOCUMENTS

DATE
9/29/16
DRAWN BY
LRC
SHEET TITLE
ELEVATIONS
SHEET SCALE
1/4" = 1'-0"