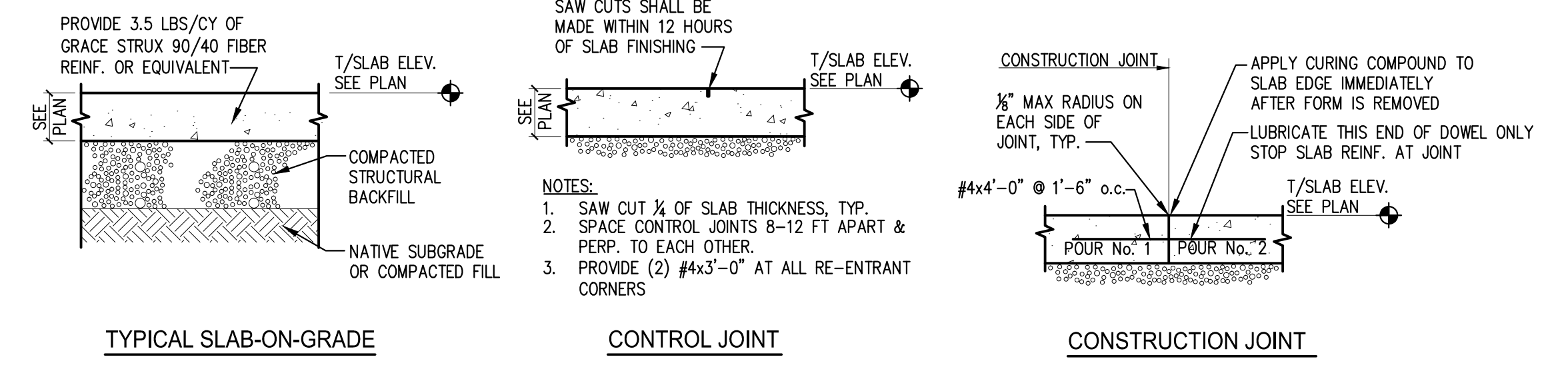


**THE HAWK**  
 48 HANCOCK STREET  
 PORTLAND, MAINE  
 NEW BUILDING

No.	DESCRIPTION	ISSUED FOR PERMIT - NOT FOR CONSTRUCTION	DATE	
			DR. BY	TD
A	ISSUE FOR PERMIT - NOT FOR CONSTRUCTION		12-29-14	

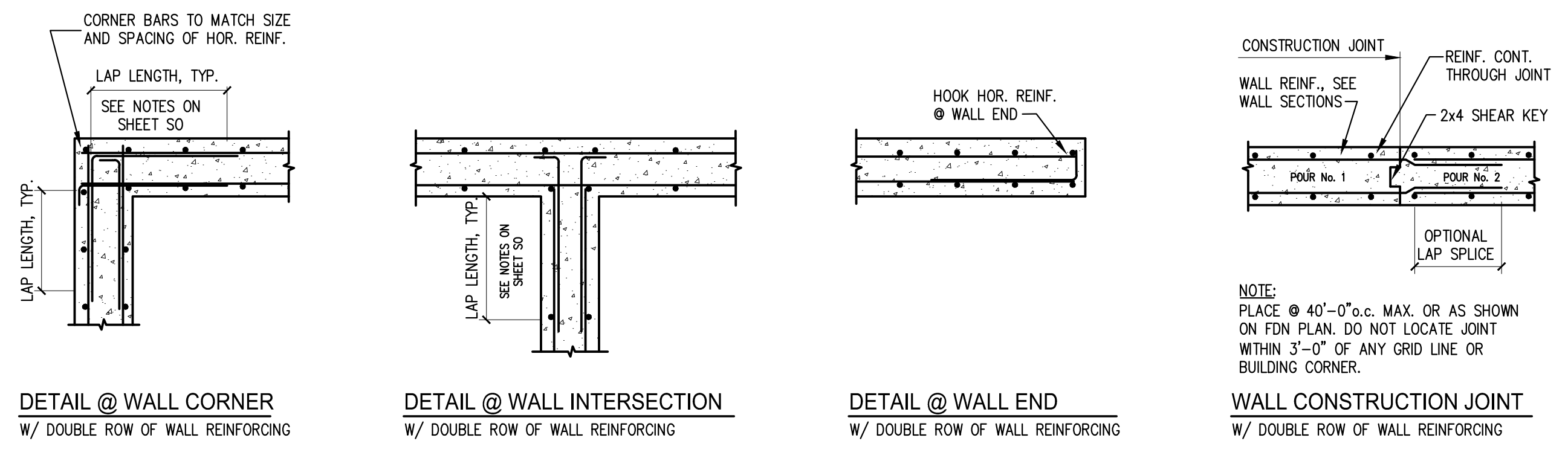
SHEET TITLE:  
**FOUNDATION DETAILS**

DESIGNED: TD  
DRAWN: TD  
DATE: 11-13-14  
PROJECT NUMBER: 14-135



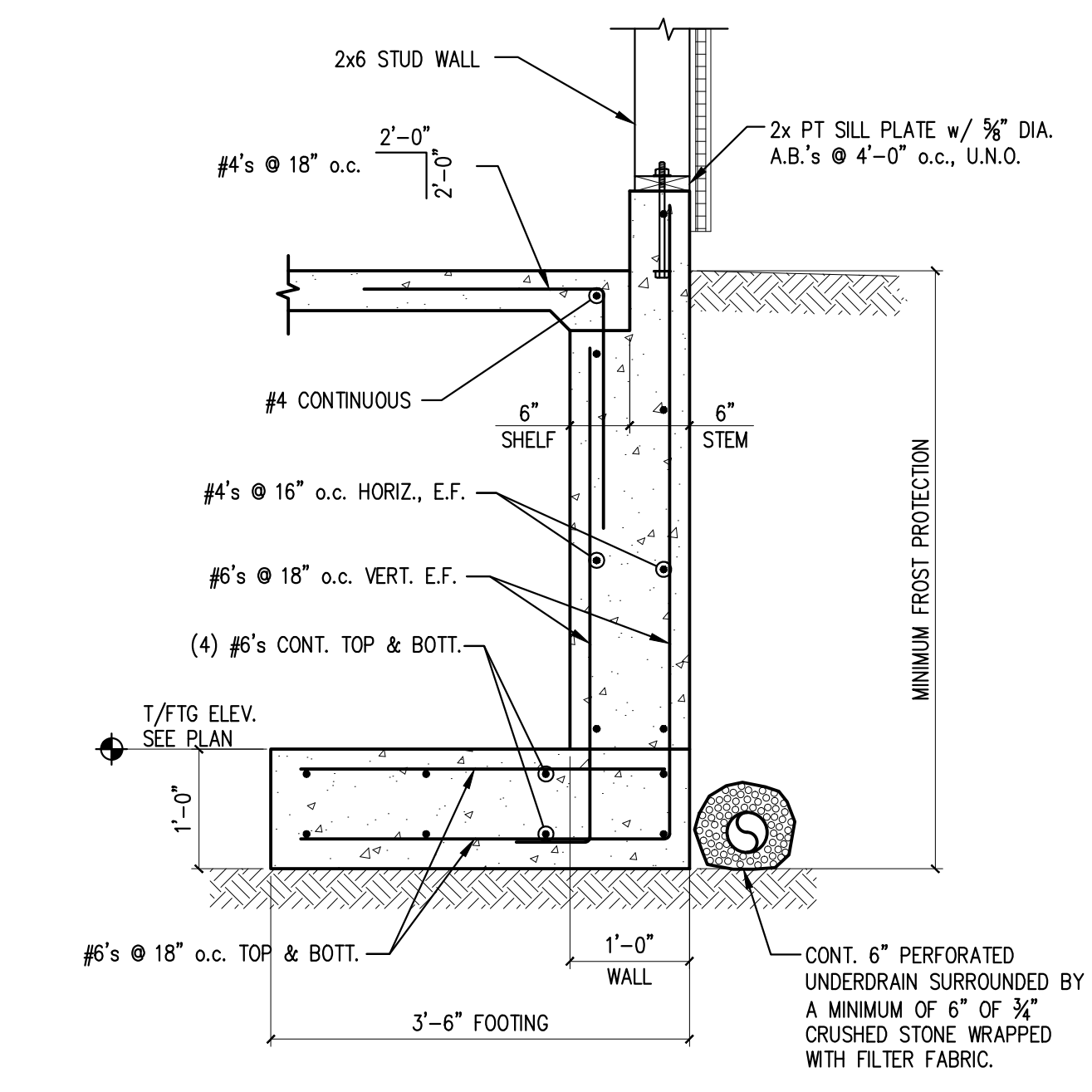
TYPICAL SLAB-ON-GRADE DETAILS

SCALE: NTS 1



TYPICAL FOUNDATION WALL DETAILS - 2 LAYERS REINFORCEMENT

SCALE: NTS 2

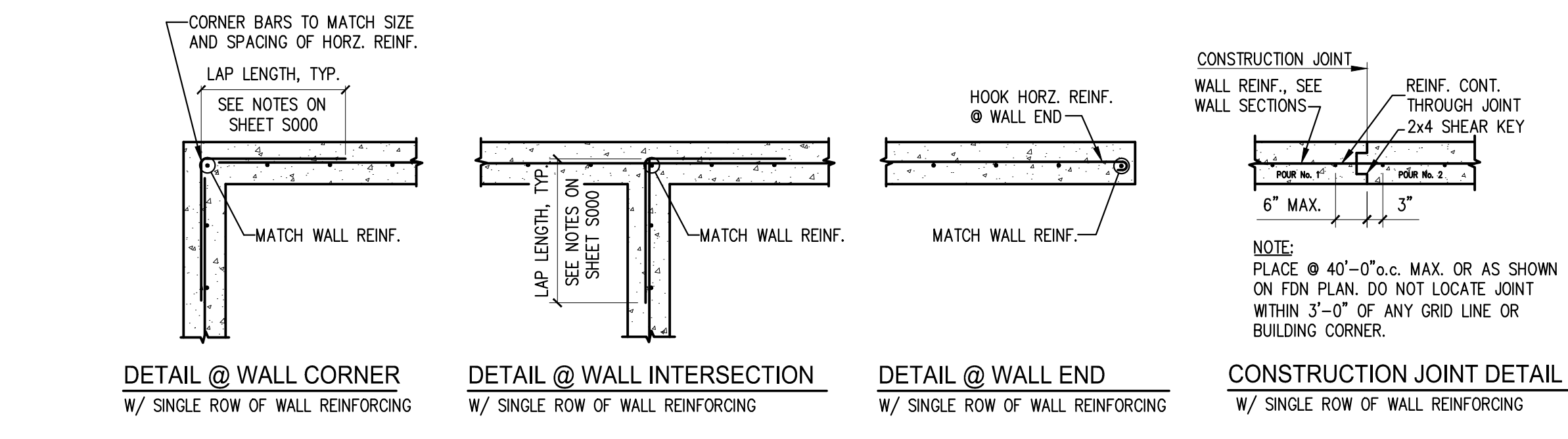


SECTION

SCALE: 3/4"=1'-0" 6

SECTION

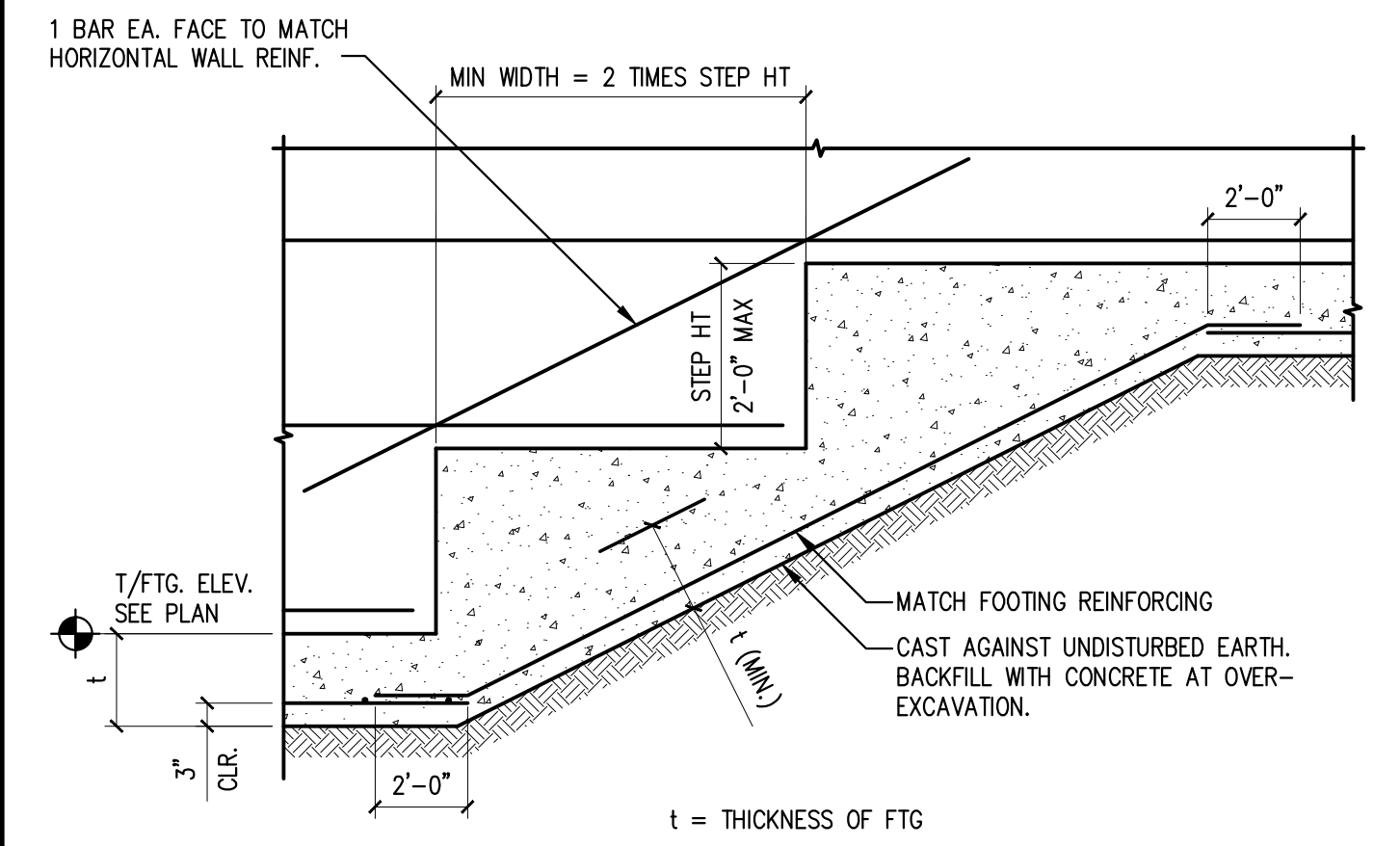
SCALE: 3/4"=1'-0" -



TYPICAL FOUNDATION WALL DETAILS - 1 LAYER REINFORCEMENT

SCALE: NTS 3

BAR SIZE	4500 PSI CONCRETE	3000 PSI CONCRETE
#3	16"	18"
#4	20"	24"
#5	24"	30"
#6	30"	36"
#7	40"	48"
#8	48"	56"
#9	54"	64"



REBAR LAP SPLICE TABLE

SCALE: NTS 4

TYPICAL STEPPED FOOTING DETAIL

SCALE: NTS 5

SECTION

SCALE: 3/4"=1'-0" -

SECTION

SCALE: 3/4"=1'-0" -